

Dual Fuel Ranges

Use and Care Manual

Slide-In Ranges

HDIP056U, HDIP056C, HDI8056U, HDI8056C



BOSCH

Invented for life



Table of Contents

About This Manual	1	Getting the Most Out of Your Warming Drawer	28
Safety Definitions	1	Cleaning and Maintenance	30
WHAT TO DO IF YOU SMELL GAS	1	Cleaning the Cooktop	30
Safety	2	Cooktop Cleaning Chart	30
Getting Started	6	Cleaning the Oven	32
Parts and Accessories	6	Self Clean	32
Burner Caps	7	Avoid These Cleaners	33
Burner Grates	8	Oven Cleaning Guide	33
Control Knobs	9	Cleaning the Warming Drawer	34
Burner Control Knob Removal	9	Oven Maintenance	34
Accessories	10	Replacing an Oven Light	34
Before Using the Appliance for the First Time	11	Removing the Oven Door	35
Operation - Cooktop	12	Removing the Drawer	37
About the Cooktop	12	Replacing the Drawer	37
Normal Operation (Electronic Ignition/Reignition)	12	Service	40
Typical Flame Characteristics	12	How to obtain Service or parts	40
Operation - Oven	13	Self Help	40
Oven Control Panel	13	Use these suggestions before calling for service to avoid service charges.	40
Before Using the Oven for the First Time	14	Statement of Limited Product Warranty	43
Operation	14	Cooking Charts	45
Setting the Clock	14		
Setting the Cooking Mode and Temperature	15		
Heating time limitation	16		
Timer	16		
Probe	17		
Sabbath Mode	18		
Panel Lock	19		
Settings	19		
Settings Menu Options	20		
Operation - Warming Drawer	21		
About the Warming Drawer	21		
Operation	21		
Getting the Most Out of Your Cooktop	22		
Getting the Most Out of Your Oven	23		
Cooking modes	25		

This Bosch Appliance is made by
BSH Home Appliances Corporation
1901 Main Street, Suite 600
Irvine, CA 92614

Questions?

1-800-944-2904

www.bosch-home.com/us

We look forward to hearing from you!

About This Manual

How This Manual Is Organized

This manual contains several sections:

- The *Safety* section describes important procedures that can ensure your safety while using the appliance.
- The *Getting Started* section describes the features and functionality of the appliance, including a description of how to set it up and operate it.
- The *Operation* section describes how to operate and get the best performance out of each component.
- The *Cleaning and Maintenance* section describes how to clean and maintain the appliance.
- The *Service* section includes troubleshooting tips and your warranty.
- Before using your appliance, be sure to read this manual. Pay special attention to the *Important Safety Instructions* located at the beginning of the manual.

Safety Definitions

▲ WARNING

This indicates that death or serious injuries may occur as a result of non-observance of this warning.

▲ CAUTION

This indicates that minor or moderate injuries may occur as a result of non-observance of this warning.

NOTICE: This indicates that damage to the appliance or property may occur as a result of non-compliance with this advisory.

Note: This alerts you to important information and/or tips.

WARNING:

If the information in this manual is not followed exactly, a fire or explosion may result causing property damage, personal injury or death.

-- **Do not store or use combustible materials, gasoline or other flammable vapors and liquids in the vicinity of this or any other appliance.**

-- **WHAT TO DO IF YOU SMELL GAS**

- **Do not try to light any appliance.**
- **Do not touch any electrical switch.**
- **Do not use any phone in your building.**
- **Immediately call your gas supplier from a neighbor's phone. Follow the gas supplier's instructions.**
- **If you cannot reach your gas supplier, call the fire department.**

-- **Installation and service must be performed by a qualified installer, authorized service agency or the gas supplier.**

⚠ IMPORTANT SAFETY INSTRUCTIONS

READ AND SAVE THESE INSTRUCTIONS

Safety

⚠ WARNING

TIP OVER HAZARD!

A child or adult can tip the range over and be killed. Verify that the anti-tip bracket is securely installed. Ensure the anti-tip bracket is engaged whenever the range is moved to a new location.



Do not operate the range without the anti-tip bracket in place. Failure to follow the instructions in this manual can result in death or serious burns to children and adults.

Check for proper installation and use of the anti-tip bracket. Carefully tip the range forward pulling from the back to ensure that the anti-tip bracket engages the range leg and prevents tip-over. The range should not move more than 1" (2.5 cm).

Proper Installation and Maintenance

- **WARNING:** When properly cared for, your new appliance has been designed to be safe and reliable. Read all instructions carefully before use. These precautions will reduce the risk of burns, electric shock, fire, and injury to persons. When using kitchen appliances, basic safety precautions must be followed, including those in the following pages.
- Have the installer show you the location of the circuit breaker or fuse. Mark it for easy reference.
- This appliance must be properly installed and grounded by a qualified technician. Connect only to a properly grounded outlet. Refer to Installation Instructions for details.
- This appliance is intended for normal family household use only. It is not approved for outdoor use. See the "Statement of Limited Product Warranty". If you have any questions, contact the manufacturer.
- Do not store or use corrosive chemicals, vapors, flammables or nonfood products in or near this appliance. It is specifically designed for use when heating or cooking food. The use of corrosive chemicals in heating or cleaning will damage the appliance and could result in injury.

- Do not operate this appliance if it is not working properly, or if it has been damaged. Contact an authorized servicer.
- Do not cook on a broken cooktop. Cleaning solutions and spillovers may create a risk of electric shock.
- Do not obstruct oven vents.
- Do not repair or replace any part of the appliance unless specifically recommended in this manual. Refer all servicing to a factory authorized service center.
- In the event of an error the display flashes and beeps continuously. If this happens during self-clean, disconnect appliance from the power supply and call a qualified technician.
- In the event of an error the display flashes and beeps continuously. Disconnect appliance from the power supply and call a qualified technician.
- In order to keep control knobs from becoming excessively hot, the cooktop must be used in conjunction with a suitable ventilation system.

Gas Safety

- To prevent carbon monoxide build-up, do not block appliance air vents.
- Have the installer show you where the gas shut-off valve is located.
- If a burner goes out and does not reignite, call service.
- If you smell gas, your installer has not done a proper job of checking for leaks. If the connections are not perfectly tight, you can have a small leak and, therefore, a faint smell. Finding a gas leak is not a "do-it-yourself" procedure. Some leaks can only be found with the burner control in the ON position and this must be done by a qualified service technician. See "WHAT TO DO IF YOU SMELL GAS" on page 1.

For proper burner performance, keep igniters clean and dry.

Fire Safety

- Do not use aluminum foil or protective liners to line any part of an appliance, especially the oven bottom. Installation of these liners may result in a risk of electric shock or fire.
- If materials inside an oven or warming drawer should ignite, keep door closed. Turn off the appliance and disconnect the circuit at the circuit breaker box.

IMPORTANT SAFETY INSTRUCTIONS

READ AND SAVE THESE INSTRUCTIONS

- Use this appliance only for its intended use as described in this manual. For example, never use the appliance for warming or heating the room. Never use the appliance for storage.
- Set the burner control so that the flame does not extend beyond the bottom of the pan.
- Do not allow aluminum foil, plastic, paper or cloth to come in contact with a hot burner or grate. Do not allow pans to boil dry.
- If the cooktop is near a window, forced air vent, or fan, be certain that flammable materials such as window coverings do not blow over or near the burners or elements. They could catch on fire.
- Always have a working smoke detector near the kitchen.
- Never leave the cooktop unattended when in use. Boilovers cause smoking and greasy spillovers may ignite.
- **WARNING**—TO REDUCE THE RISK OF A RANGE TOP GREASE FIRE:
 - a) Never leave surface units unattended at high settings. Boilovers cause smoking and greasy spillovers that may ignite. Heat oils slowly on low or medium settings.
 - b) Always turn hood ON when cooking at high heat or when flambéing food (i.e. Crepes Suzette, Cherries Jubilee, Peppercorn Beef Flambe').
 - c) Clean ventilating fans frequently. Grease should not be allowed to accumulate on fan or filter.
 - d) Use proper pan size. Always use cookware appropriate for the size of the burner.
- In the event that personal clothing or hair catches fire, drop and roll immediately to extinguish flames.
- Take care that drafts like those from fans or forced air vents do not push the flames so that they extend beyond the edges of the pan.
- Whenever possible, do not operate the ventilation system during a cooktop fire. However, do not reach through fire to turn it off.
- Have an appropriate fire extinguisher available, nearby, highly visible and easily accessible near the oven.
- Smother flames from food fires other than grease fires with baking soda. Never use water on cooking fires.

WARNING

TO REDUCE THE RISK OF PERSONAL INJURY IN THE EVENT OF A GREASE FIRE, OBSERVE THE FOLLOWING:

- SMOTHER FLAMES with a close-fitting lid, cookie sheet, or metal tray, then turn off the burner. EXERCISE CAUTION TO PREVENT BURNS. If the flames do not go out immediately, EVACUATE AND CALL THE FIRE DEPARTMENT.
- NEVER PICK UP A FLAMING PAN—You may be burned.
- DO NOT USE WATER, including wet rags or towels—a violent steam explosion will result.
- Use an extinguisher ONLY if:
 - 1) You know you have a CLASS ABC extinguisher and you already know how to operate it.
 - 2) The fire is small and contained in the area where it started.
 - 3) The fire department is being called.
 - 4) You can fight the fire with your back to an exit.

CAUTION:

All igniters spark when any single burner is turned on. Do not touch any of the burners when the cooktop is in use. In the event that personal clothing or hair catches fire, drop and roll immediately to extinguish flames.

Burn Prevention

- DO NOT TOUCH COOKTOP GRATES OR AREAS NEAR COOKTOP BURNERS - Areas near cooktop burners may become hot enough to cause burns. During and after use, do not touch, or let clothing, potholders, or other flammable materials contact cooktop burners or areas near them until they have had sufficient time to cool. Among these areas are the cooktop and areas facing the cooktop.
- DO NOT TOUCH HEATING ELEMENTS OR INTERIOR SURFACES OF OVEN - Heating elements may be hot even though they are dark in color. Interior surfaces of an oven become hot enough to cause burns. During and after use, do not touch, or let clothing, potholders, or other flammable materials contact heating elements or interior surfaces of oven until they have had sufficient time to cool. Other surfaces of the appliance may become hot enough to cause burns. Among these surfaces are oven vent openings, surfaces near these openings and oven doors.

IMPORTANT SAFETY INSTRUCTIONS

READ AND SAVE THESE INSTRUCTIONS

- Exercise caution when opening the appliance. Standing to the side, open the door (or drawer) slowly and slightly to let hot air and/or steam escape. Keep your face clear of the opening and make sure there are no children or pets near the unit. After the release of hot air and/or steam, proceed with your cooking. Keep doors shut unless necessary for cooking or cleaning purposes. Do not leave open doors unattended.
- Do not heat or warm unopened food containers. Build-up of pressure may cause the container to burst and cause injury.
- Always place oven racks in desired location while oven is cool. If a rack must be moved while oven is hot, do not let potholder contact the heating elements.
- Always use dry potholders. Moist or damp potholders on hot surfaces may result in burns from steam. Do not let potholder touch hot heating elements. Do not use a towel or other bulky cloth.
- Always turn hood ON when cooking at high heat or when flambéing food (i.e. Crepes Suzette, Cherries Jubilee, Peppercorn Beef Flambe').
- Use high heat settings on the cooktop only when necessary. To avoid bubbling and splattering, heat oil slowly on no more than a low-medium setting. Hot oil is capable of causing extreme burns and injury.
- Never move a pan of hot oil, especially a deep fat fryer. Wait until it is cool.
- Secure all loose garments, etc. before beginning. Tie long hair so that it does not hang loose, and do not wear loose fitting clothing or hanging garments, such as ties, scarves, jewelry, or dangling sleeves.
- Avoid reaching or leaning over the appliance. Be aware that certain clothing and hair sprays may contain flammable chemicals that could be ignited if brought in contact with hot surface units or heating elements and may cause severe burns.
- Do not touch interior surface of the drawer while it is in use. The interior of the drawer could become hot enough to cause burns. Allow drawer and rack (if equipped) to cool before handling.
- **WARNING:** To prevent burns, do not remove drawer while hot. Be sure drawer is empty before removing.

WARNING

Use this appliance only for its intended use as described in this manual. NEVER use this appliance as a space heater to heat or warm the room. Doing so may result in carbon monoxide poisoning and overheating the appliance. Never use the appliance for storage.

WARNING

NEVER cover any slots, holes or passages in the oven bottom or cover an entire rack with materials such as aluminum foil. Doing so blocks air flow through the oven and may cause carbon monoxide poisoning. Aluminum foil linings may also trap heat, causing a fire hazard.

- Use caution when cooking foods with high alcohol content (e.g. rum, brandy, bourbon) in the oven. Alcohol evaporates at high temperatures. There is a risk of burning as the alcohol vapors may catch fire in the oven. Use only small quantities of alcohol in foods, and open the oven door carefully.

Conversion to Liquefied Petroleum Gas

WARNING

Personal injury or death from electrical shock may occur if the range is not installed by a qualified installer or electrician.

Any additions, changes or conversions required in order for this appliance to satisfactorily meet the application needs must be made by a qualified technician.

The LP Gas Conversion kit should be installed by a qualified service technician. When installing the kit be sure to follow the LP Gas Conversion Installation Instructions carefully.

Child Safety

- When children become old enough to use the appliance, it is the responsibility of the parents or legal guardians to ensure that they are instructed in safe practices by qualified persons.
- Do not allow anyone to climb, stand, lean, sit, or hang on any part of an appliance, especially a door, warming drawer, or storage drawer. This can damage the appliance, and the unit may tip over, potentially causing severe injury.
- Do not allow children to use this appliance unless closely supervised by an adult. Children and pets should not be left alone or unattended in the area where the appliance is in use. They should never be allowed to play in its vicinity, whether or not the appliance is in use.

IMPORTANT SAFETY INSTRUCTIONS

READ AND SAVE THESE INSTRUCTIONS

CAUTION

Items of interest to children should not be stored in an appliance, in cabinets above an appliance or on the backsplash. Children climbing on an appliance to reach items could be seriously injured.

Proposition 65 Warning:

This product may contain a chemical known to the State of California, which can cause cancer or reproductive harm. Therefore, the packaging of your product may bear the following label as required by California:

STATE OF CALIFORNIA PROPOSITION 65 WARNING:



Cancer and Reproductive Harm - www.P65Warnings.ca.gov

Cleaning Safety

- **IMPORTANT SAFETY NOTICE:** The California Safe Drinking and Toxic Enforcement Act requires the Governor of California to publish a list of substances known to the state to cause cancer, birth defects or other reproductive harm, and requires businesses to warn customers of potential exposure to such substances. The burning of gas cooking fuel and the elimination of soil during self-cleaning can generate small amounts of carbon monoxide. The fiberglass insulation in self-clean ovens gives off very small amounts of formaldehyde during the first several cleaning cycles. California lists formaldehyde as a potential cause of cancer. Carbon monoxide is a potential cause of reproductive toxicity. Exposure to these substances can be minimized by:
 - 1) Providing good ventilation when cooking with gas.
 - 2) Providing good ventilation during and immediately after self-cleaning the oven.
 - 3) Operating the unit according to the instructions in this manual.
- Do not clean the appliance while it is still hot. Some cleaners produce noxious fumes when applied to a hot surface. Wet cloths or sponges can cause burns from steam.

- When self-cleaning, confirm that the door locks and will not open. If the door does not lock, do not run Self-Clean. Contact service.
- Birds have very sensitive respiratory systems. Keep pet birds out of the kitchen or other rooms where kitchen fumes could reach them. During self-clean, fumes are released that may be harmful to birds. Other kitchen fumes such as overheating margarines and cooking oils may also be harmful.
- Keep oven free from grease build up.

Cookware Safety

- Do not place food directly on oven bottom.
- Follow the manufacturer's directions when using cooking or roasting bags.
- Hold the handle of the pan when stirring or turning food. This helps prevent spills and movement of the pan.
- Use Proper Pan Size. The use of undersized cookware will expose a portion of the heating element or burner to direct contact and may result in ignition of clothing. Select cookware having flat bottoms large enough to cover the surface heating unit. This appliance is equipped with one or more surface units of different size. Proper relationship of cookware to heating element or burner will also improve efficiency.
- Always position handles of utensils inward so they do not extend over adjacent work areas, burners, or the edge of the cooktop. This reduces the risk of fires, spills and burns.
- **CAUTION:** Plastic containers or plastic wrap can melt if in direct contact with the drawer or a hot utensil. If it melts onto the drawer, it may not be removable.

Food Safety

- **CAUTION:** To maintain food safety, follow these guidelines:
 - 1) **DO NOT** use a warming drawer to heat cold food (exception: it is safe to use the drawer to crisp crackers, chips or dry cereal and to warm plates.)
 - 2) Be sure to maintain proper food temperature. The USDA recommends holding hot food at 140°F or warmer.
 - 3) **DO NOT** warm food for longer than one hour.

Getting Started

Parts and Accessories

Your appliance may vary slightly.



Range Parts Key

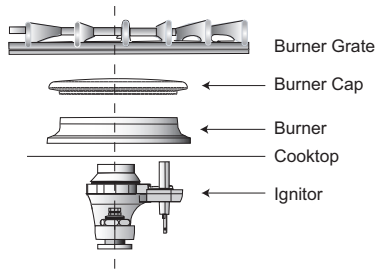
1	Oven Control Panel
2	Cooktop Control Knobs
3	Door Gasket
4	Door Latch
5	Probe Jack
6	Convection Fan
7	Rack Position Guides with 6 rack positions

8	Oven Bottom
9	Door Hinge
10	Warming Drawer

Range Features

Sealed Gas Burners

The cooktop has sealed gas burners. As a result, there are no parts under the cooktop to clean, disassemble or adjust. Spills stay on top of the cooktop where they are easier to wipe up.



Burner Caps

The cooktop has three different burner sizes; small, medium, and large. Match the corresponding letters on the burner cap and burner base.

The burner cap is porcelainized steel. The burner caps must be properly placed for the cooktop to function properly. If the burner cap is not properly placed, one or more of the following problems may occur:

- Burner flames are too high.
- Flames shoot out of burners.
- Burners do not ignite.
- Burner flames light unevenly.

- Burner emits gas odor.

⚠ WARNING

To prevent flare-ups and avoid creation of harmful by-products, do not use the cooktop without all burner caps and all burner grates properly positioned.

⚠ WARNING

To prevent burns, do not touch burner caps or grates while hot. Turn the cooktop off and allow the burners to cool.

Placing Burner Caps

Each cap has a letter (A, D, or F) cast in the underside of the cap that corresponds to a letter (A, D, or F) cast in the burner base that is attached to the appliance.

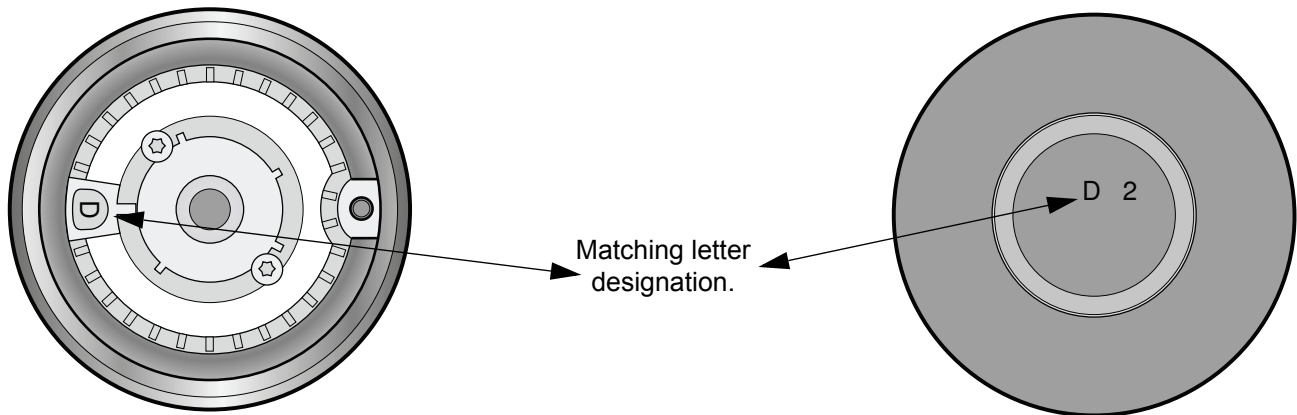
Note: In some models the center burner does not have a letter designation on the burner base.

- Place each burner cap on its correct burner base per its corresponding letter designation. See figure "Matching letter designation." on page 7.

Place burner cap gently on top of base so that the prongs of the burner base fit snugly into the groove of the burner cap.

Burner Base

Burner Cap



Checking Burner Cap Placement

- Check to make sure there is not a gap between the burner cap and burner base. See figure “Burner Cap Placement” on page 8 to see the correct and incorrect placements of the burner cap.

- You may gently try to move the burner cap from side to side to check if it is properly placed. If properly placed, the cap will click from side to side as the prongs hit the groove ridge.

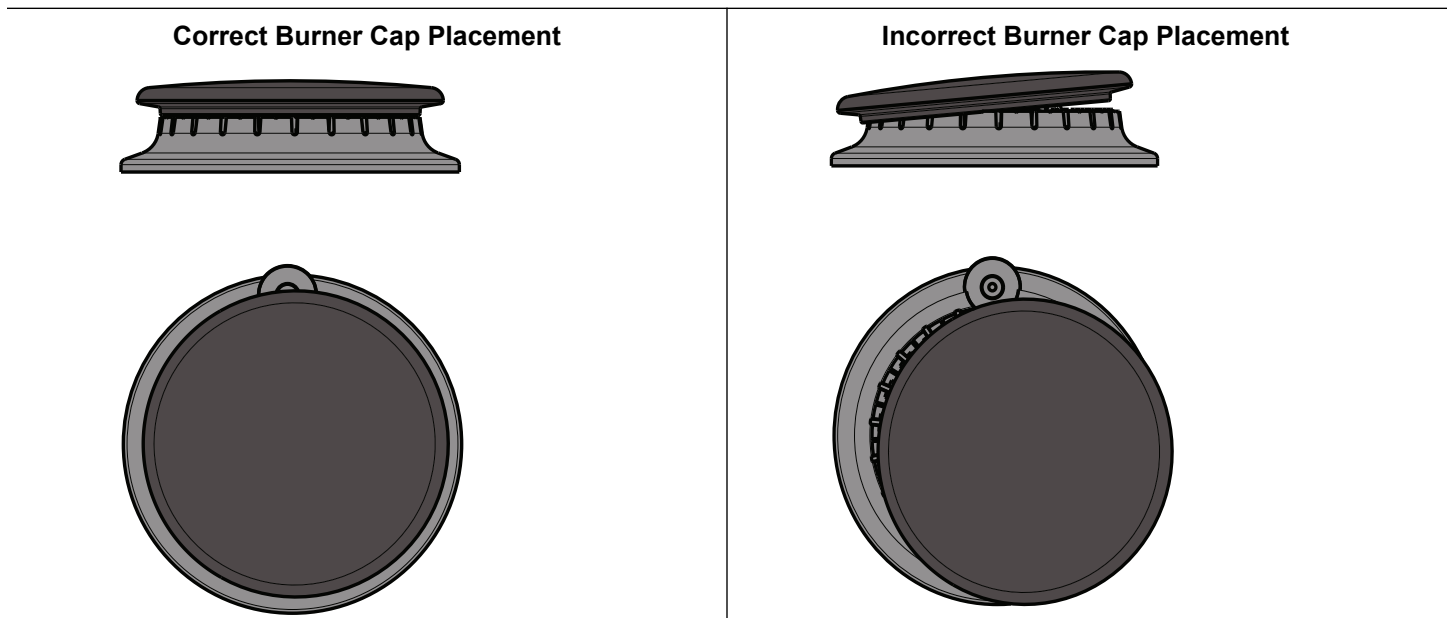
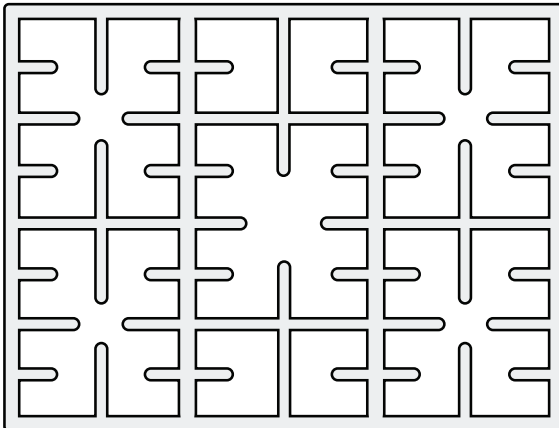


Figure 1: Burner Cap Placement

Burner Grates

Grates must be properly positioned before cooking.



⚠ WARNING

To prevent flare-ups, properly support pots, and avoid spills, all grates must be properly positioned on the cooktop whenever the cooktop is in use. Do not use a grate if the rubber feet are missing or damaged.

To purchase replacement rubber feet: Part # 416438, contact your dealer or call the service number listed inside the cover.

Control Knobs

The cooktop has one control knob for each burner.

⚠ CAUTION

Failure to operate knobs properly may result in personal injury and damage to the appliance.

The cooktop has standard burner controls and rubber grommets.

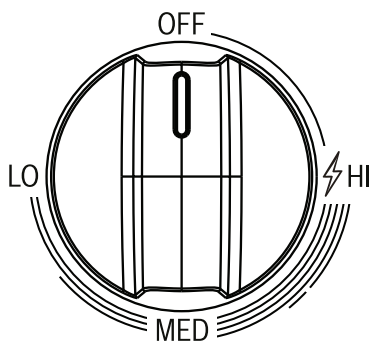


Figure 2: Standard Burner Control Knob

The standard burner controls have an infinite number of heat settings. These settings are located on the burner knob.

To operate: Select the appropriate control knob, push down and turn to the left to the ignition symbol until the burner ignites. Turn the knob to the desired setting. Turn burner off by turning the control knob clockwise to **OFF**.

Burner Control Knob Removal

To remove knob and grommet: With burner in the **OFF** position, gently lift knob up and off. Gently pull the grommet from the sides and lift out.

⚠ WARNING

To avoid possible electric shock, do not reach through control opening into rough-in box located under the cooktop.

To replace grommet and knob: Carefully insert the grommet into the opening, ensuring that the maintop is seated in the track around the entire perimeter of the grommet. Replace control knob by placing indicator line at the 12 o'clock position. Press down firmly.

Oven Features

Cooling Fan

The cooling fan runs during all cooking modes. The fan can be heard when it is running, and warm air may be felt as it is released from the oven vent. The fan may also run after the oven is off.

Convection Fan

The convection fan operates during any convection mode. When the oven is operating in the convection mode, the fan will turn off automatically when the door is opened. The convection fan does run during self-clean, although not at the beginning of the mode.

Note: On some models, the convection fan also runs during preheat for the bake mode.

Oven Bottom

The oven bottom conceals the lower heating element. As a result the element is protected from damage and spills.

Note:

Do not place food directly on the oven bottom.

Oven Vent

The oven vent is located at the back of the range. Warm air may be released from the vent before, during and after cooking. It is normal to see steam escaping from the vent and condensation may collect in this area. This area may be hot when the oven is in use. Do not block the vent as it is important for air circulation.

⚠ CAUTION

Do not use aluminum foil or protective liners to line any part of an appliance, especially oven bottom. Installation of these liners may result in a risk of electric shock or fire.

Automatic Shutoff

The oven will automatically shut off after 24 hours.

Self-Cleaning

The oven features a self-cleaning function that eliminates the manual labor involved with cleaning your oven.

Indicators and Other Features

Default Settings - The cooking modes automatically select the default temperature. These can be changed when a different one is needed.

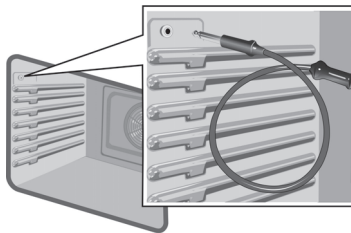
E Number Codes - These codes display when there is a problem with the range.

Stand By Mode

Stand by mode means that the oven has power but no cooking mode or timer is running.

Accessories

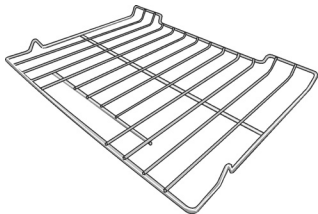
Probe



The probe can be used to determine the internal doneness or the end temperature of many foods, especially meats and poultry.

Do not clean in the self-clean oven or dishwasher.

Flat Rack



Use for most cooking. Can use multiple racks in some modes.

Do not clean in the self-clean oven.

Telescopic Rack (some models) (available via eShop) HEZTR301



Use with heavier dishes to make it easier to place dishes into the oven, check on food while cooking and remove dishes from oven when done.

Do not clean in the self-clean oven.

Broiling Pan (available via eShop)



Pan: #00449757

Grill(top):#00449756

Inserting Racks

⚠ CAUTION

To avoid burns, place oven racks in desired positions before turning oven on. Always use oven mitts when the oven is warm. If a rack must be moved while the oven is hot, do not let oven mitts contact hot heating elements.

Use caution when removing an oven rack from the lowest rack position to avoid contact with the hot oven door.

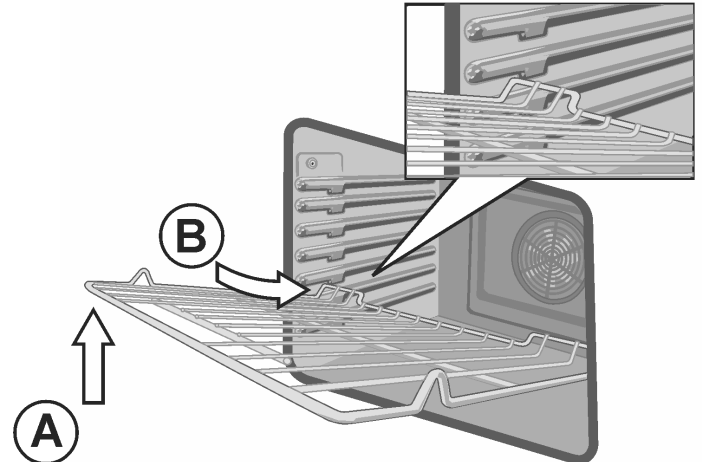
To avoid possible injury or damage to the appliance, ensure racks are installed exactly per installation instructions and not backwards or upside down.

Flat Rack

The rack is designed with a stop so it will stop before coming completely out of the oven and not tilt.

To insert the flat rack into the oven:

1. Grasp rack firmly on both sides.
2. Insert rack (see picture).



3. Tilt rack up (A) to allow the upwardly sloped rear of the rack to slide under the stop molded into the front portion of the rack guide above.
4. When the back of the rack is past this stop, lower the front of the rack to a horizontal position (B) and push it the rest of the way in.

The rack should be straight and flat, not crooked.

To remove the flat rack from the oven:

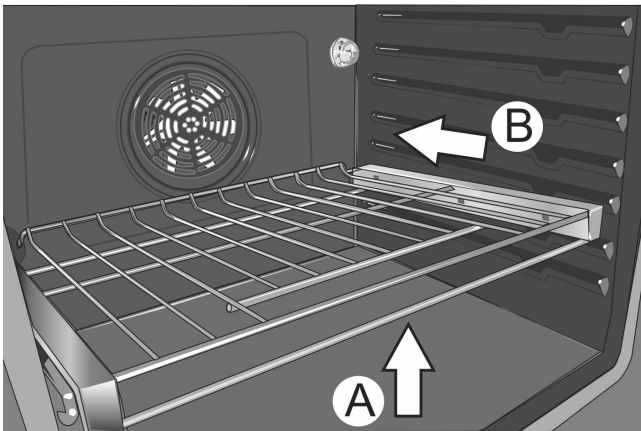
1. Grasp rack firmly on both sides and pull rack toward you.
2. When the stop is reached, tilt rack up so that the upwardly sloped back of the rack can pass under the stop. Pull the rack the rest of the way out.

Telescopic Rack

To insert the telescopic rack into the oven:

1. Slide the rack in evenly until the rear of the rack is about 2 inches from the back of the oven.
2. Tilt the front of the rack up about 3/4's of an inch (A) and finish pushing the rack all the way back (B).

Note: Avoid striking the oven light cover glass when pushing the rack into position.



3. The back of the telescopic rack drops into place.
4. Pull the rack forward to engage the bottom of the rack onto the rear of the rack position guide.
5. Lower the front of the rack to finish seating it on the rack guide. The rack should feel stable when properly seated.
6. Slide the movable part of the telescopic rack in and out a few times to make sure it is able to move freely and that the non-moving part of the telescopic rack is securely anchored.

⚠ CAUTION

To avoid possible injury or damage to the appliance, ensure the telescopic rack is installed exactly per installation instructions and not backwards or upside down.

To remove the telescopic rack from the oven:

1. Lift the front of the telescopic rack assembly about 1/2 inch and push the rack to the rear about 3/4 inch. This allows the rack to disengage from the rack position guide.
2. Lift the rear of the telescopic rack assembly so it clears the rack position guide and gently pull the rack from the oven.

Note: Take care to avoid pulling the rack unevenly which will cause it to bind during removal, catching on the oven walls.

Before Using the Appliance for the First Time

- Remove all packing materials and labels from range. Remove packing materials from inside the oven and inside the drawer.
- While cool, wipe with a clean, damp sponge and dry.
- There may be a slight odor during first uses; this is normal and will disappear.
- Optimum cooking results depend on proper cookware and bakeware being used.
- Read and understand all safety precautions and Use and Care Manual information prior to operating.

Operation - Cooktop

This section explains how to operate the cooktop. See “Getting the Most Out of Your Cooktop” for guidelines to improve cooktop results.

About the Cooktop

Use the cooktop for surface cooking applications such as boiling, frying, simmering, steaming and sautéing.

⚠ WARNING

To avoid risk of personal injury, while the self-clean cycle is operating, the cooktop will not operate.

When using the cooktop and the oven is set to self-clean, "Turn Off Cooktop" is shown in the display. The self-clean cycle does not come on. Turn off the cooktop to use self-clean.

The cooktop cannot be used when self-clean is running in the oven.

⚠ WARNING

The burning of gas cooking fuel can create small amounts of Carbon Monoxide, Benzene and Formaldehyde. To minimize exposure to these substances, the burners should be adjusted by a certified installer or agency to ensure proper combustion. Ensure proper ventilation with an open window or use a ventilation fan or hood when cooking with Gas. Always operate the unit according to the instructions in this manual.

The cooktop has one control knob for each burner. Push down and turn to the desired heat setting.

Normal Operation (Electronic Ignition/Reignition)

The cooktop uses electronic igniters to light the burners. There is no pilot light. Each burner has its own igniter. If a burner flame blows out during use, the burner will automatically reignite.

⚠ CAUTION

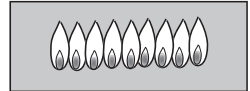
To avoid possible injury or damage to the appliance, ensure grates are installed exactly per installation instructions and not backwards or upside down.

Typical Flame Characteristics

The burner flame should be blue in color and stable with no yellow tips, excessive noise or fluttering. It should burn completely around the burner cap.

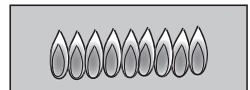
Yellow Flames:

Further adjustment is required.



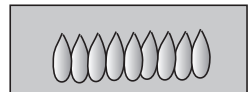
Yellow Tips on Outer Cones:

Normal for LP Gas.



Soft Blue Flames:

Normal for Natural Gas.



If the flame is completely or mostly yellow, verify that the regulator is set for the correct fuel. After adjustment, retest.

Some yellow streaking is normal during the initial start-up. Allow unit to operate 4-5 minutes and re-evaluate before making adjustments.

Figure 3: Checking Flame Characteristics

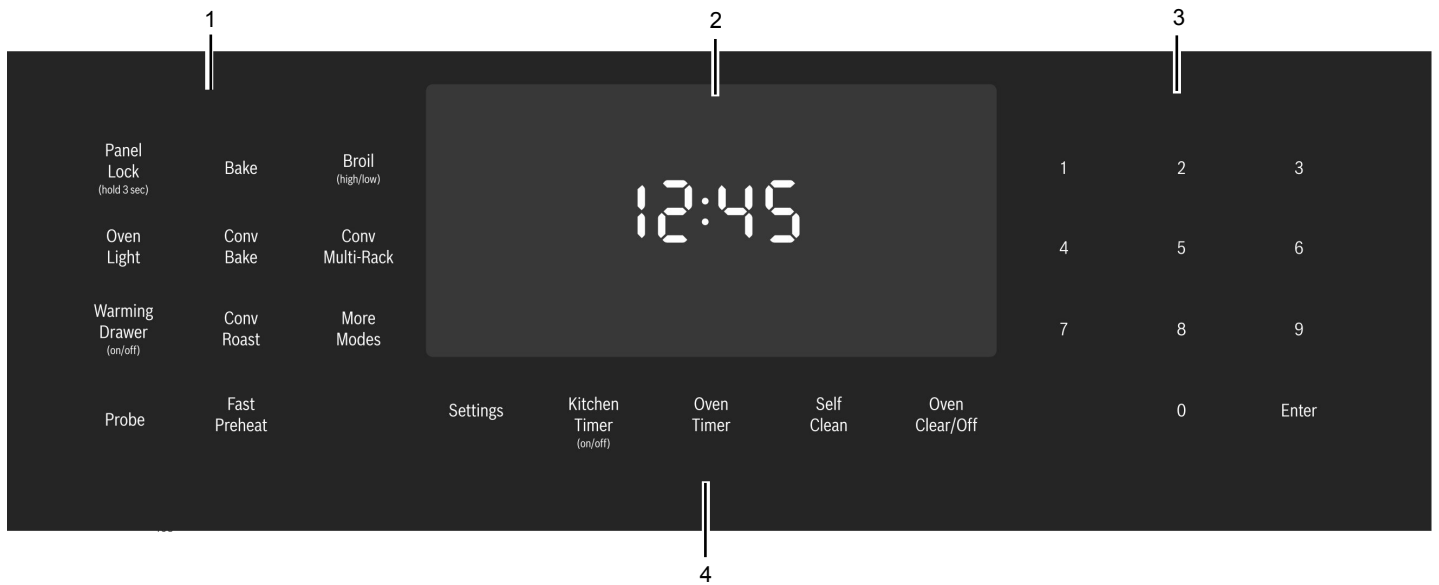
Foreign particles in the gas line may cause an orange flame during initial use. This should disappear with use. Check burner to make sure port holes are not obstructed. If the ports are clogged, see “Self Help” on page 38.

NOTE:

An audible “pop” may be heard when the burner is turned off manually. The “popping” may be louder with LP gas than with natural gas. This is normal.

Operation - Oven

Oven Control Panel



800 Series Oven Control Panel

1 Mode Selection Touchpads

2 Display

3 Numeric Keypad Touchpads

4 Special Function Touchpads

Touchpad Descriptions

Panel Lock (hold 3 sec)	Turns Panel Lock mode on and off.	Settings	Provides access to user settings to allow customization of basic display, language and other features. Use also to set the clock.
Oven Light	Turns the oven lights on or off.	Probe	Sets probe target temperature. Probe allows monitoring of internal meat temperatures during cooking.
Kitchen Timer (on/off)	Starts and stops the kitchen timer(s). Press to edit a timer.	Fast Preheat	Enables Fast Preheat option.
Oven Timer	Press to edit the oven timer for the oven. Turns off the oven at the end of the specified time.	Self Clean	Activates Self Clean mode.

More Modes

Allows access to cooking/heating modes that do not have a direct access touchpad.

Warming Drawer
(on/off)

Turns the warming drawer on or off.

More Modes

Additional modes are available by pressing the **More Modes** touchpad. These modes include Convection Broil, Warm, Pizza, Proof and Roast. These are discussed in the *Getting the Most Out of Your Appliance* section later in this manual.

Display Symbols



Door Lock - Is displayed when the oven door is locked.



Fast Preheat Symbol - Is displayed when Fast Preheat is active.



Probe Symbol - Appears when a probe is detected.



Panel Lock - Is displayed when the control panel is locked.



Self Clean - Is displayed when Self Clean is active.

Before Using the Oven for the First Time

- Oven must be properly installed by a qualified technician before use.
- Remove all packing materials from inside and outside the oven.
- While cool, wipe with a clean, damp cloth and dry.

- There may be a slight odor during first uses; this is normal and will disappear.
- Optimum cooking results depend on proper bakeware being used.
- Read and understand all safety precautions and Use and Care Manual information prior to operating.

Operation

About the Appliance

Your new oven combines premium cooking results and simple operation.

The oven design has been optimized to improve heat distribution in the oven cavity. The result is even browning, shorter cooking times and lower energy consumption.

Thanks to the Self-Clean mode, hours of scrubbing into the darkest corners of the oven is a thing of the past. The oven burns off soil simply and easily. All that is left to do is to remove a few ashes from the oven when Self-Clean is done and the oven is cool enough to touch.

Clear labeling of the touch pads makes operating the oven very easy. This manual includes all instructions for operating the oven.

Please call us if you ever have any questions. Our telephone number is located at the beginning of this manual. We welcome your comments and suggestions!

Basic Features

Setting the Clock

The oven includes time functions that require the current time to be set. It is therefore important to set the clock before beginning to use the oven. The oven cannot be in a cooking mode to access the clock set mode.

To set the clock:

1. The oven must be in Stand-By mode (oven is powered on, but no cooking mode or timer in operation).
2. To access the clock set mode:
Press the **Settings** touchpad. The display shows "SET CLOCK". Press **Enter** to edit the clock.

- Use the numeric keypad to enter the desired time. Each number pressed is entered at the right and moving previously entered digits to the left. To set "12:45 pm", press 1, 2, 4, 5.
- When the desired time is entered, set the time by pressing **Enter**.
The clock is now set and running.

Setting the Cooking Mode and Temperature

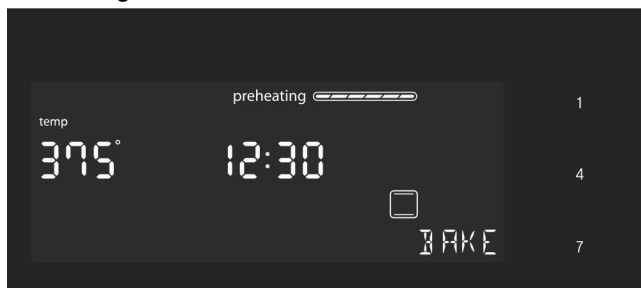
There are two alternate methods to set cooking mode and temperature.

To set the Cooking Mode first, then the temperature:

- Press the desired Cooking Mode Touchpad. The cooking mode and default temperature are displayed. The temperature flashes to show it can be edited.



- Press **Enter** to start the mode using the default temperature.
- To change the temperature, enter the new temperature using the numeric touchpads. 375° is used for this example. Press **Enter** to set the updated temperature.
Note: The new temperature is automatically set after 10 seconds if **Enter** is not pressed.
- Preheating starts.



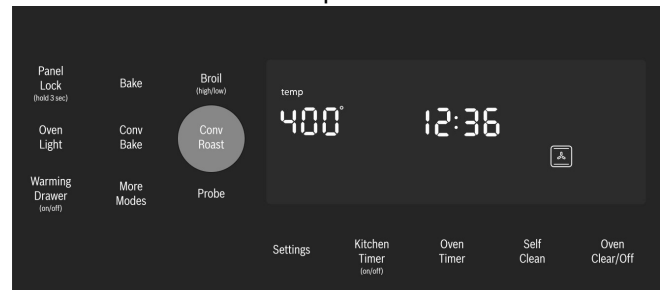
Note: If a temperature is entered that is not within the allowed range for the mode, an error tone will sound and the lower part of the screen will display "TEMP NOT ALLOWED".

To set the Temperature first and then the Cooking Mode: (not for Broil or Convection Broil)

- Press the numeric keys to enter the desired temperature setting. The temperature entered is displayed beside the current time.
- Select a cooking mode that is compatible with the temperature entered. If no cooking mode is selected within 5 seconds of setting the temperature, an error tone sounds and a SELECT MODE message is displayed and blinks.



- Press a Mode Selection Touchpad to select a cooking mode.
The new mode and temperature set automatically after 10 seconds if **Enter** is not pressed.



Note: If a temperature is entered that is not within the allowed range for the mode selected, an error tone will sound and the lower part of the screen will display "TEMP NOT ALLOWED".

To change the Oven Temperature

- Press the Cooking Mode Touchpad.
- The current temperature flashes. Use the numeric touchpads to enter a new temperature. Press **Enter**.

Heating Time Limitation

The maximum heating time is limited. If you forget to turn off the oven, it turns off automatically after a set period of time.

The maximum time for Sabbath mode is 74 hours; for all other cooking modes the maximum allowed time is 24 hours.

Temperature in °F	Temperature in °C	Max. time allowed without activity
100–200	30–120	24 hours
201–550	121–300	12 hours

Timer

Your new oven is equipped with two types of timers.

Kitchen Timer - is a countdown timer that has no affect on oven heating. The kitchen timer is used for general kitchen timing needs.

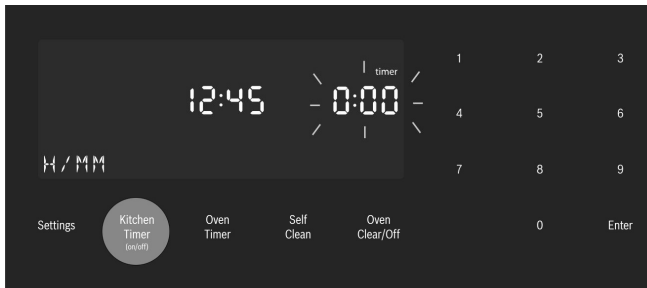
Oven Timer - is a countdown timer which upon reaching 00:00 turns the oven off, stopping the current mode. The oven timer is used to set how long a mode will run (not available for Broil, Convection Broil).

To set a kitchen timer:

(for general kitchen timer needs)

1. Press the **Kitchen Timer On/Off**.

0:00 is displayed and blinks in the display. Enter the desired timer value in H/MM format using the numeric touchpads.



2. Press **Enter**.
The kitchen timer starts.
3. When the kitchen timer has counted down to zero an alarm tone sounds every 10 seconds for 2 minutes and the message "TIMER END" is displayed.

Cancel the kitchen timer - by pressing the **Kitchen Timer On/Off** button.

Note

- The timer does not change when other settings are changed.

To edit an kitchen timer:

1. Press the **Kitchen Timer On/Off** button.
2. The current time value blinks and can be edited.

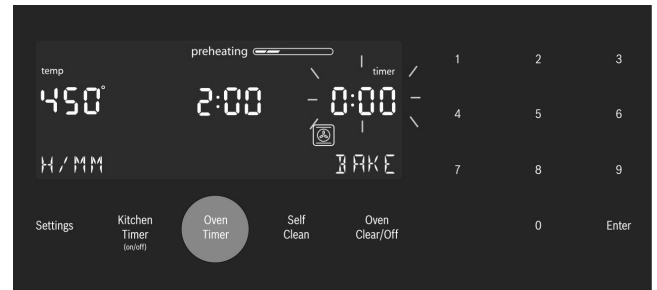
To set an oven timer:

(for setting a timer to turn the oven off)

Note: An oven timer cannot be run during Self Clean.

1. Press the **Oven Timer** touchpad.
2. Select mode, press **Enter**.

0:00 is displayed and blinks in the display. Enter the desired timer value in H/MM format using the numeric keypad.



Press the **Enter** touchpad. The oven timer counts down to 0:00.



3. When the timer reaches :00 the cooking mode ends and the message "OVEN TIMER FINISHED" is displayed. The oven alarm tone sounds every 10 seconds for 2 minutes.

Editing the oven timer

1. If the oven timer is running and the time remaining needs to be changed, enter the oven timer mode by pressing the **Oven Timer** touchpad.
2. The temperature blinks, indicating it can be edited. Input a new temperature or press **Enter** for no change.

- The timer value blinks, indicating it can be edited. Input the new time and restart the timer by pressing the **Enter** touchpad.


The oven timer may be cleared by entering 0:00.

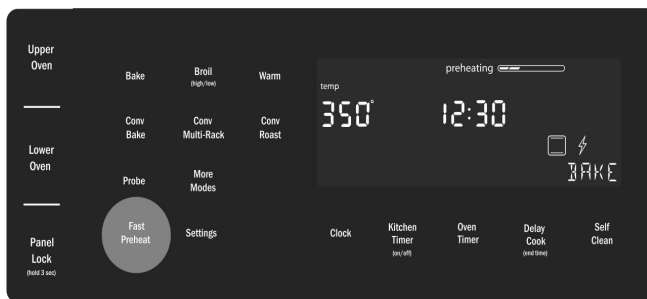
Fast Preheat

Fast Preheat heats the oven quicker than standard preheat. It is available for Bake, Convection Multi Rack, Convection Bake, Convection Roast, Roast, and Pizza (Roast is found in the “More Modes” menu). If Fast Preheat is not allowed for the selected cooking mode an error tone sounds. Fast Preheat is not available for Broil, Convection Broil, Proof or Warm.

To set Fast Preheat:

- Press **Fast Preheat**.

The fast preheat icon  appears in the display just above the mode name.



- Press **Start**.

Fast Preheat can be turned off by pressing **Fast Preheat** again.

Special Features

The special features provide you with additional conveniences when cooking.

Learn more about these special features in the following sections:

- Probe
- Sabbath Mode
- Panel Lock

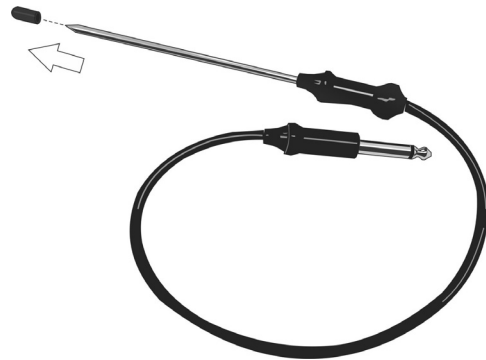
Probe

The probe measures the internal temperature of the food. The probe is available for Bake, Roast and all convection cooking modes except Convection Broil.

Remove Safety Cap before Using Probe

Some models include a temperature probe used to sense internal temperature of meats during cooking.

The probe ships with a black plastic safety cap over the pointed metal end of the probe. The cap must be removed prior to use.



Inserting the probe:

Insert the tip of the probe in the middle and thickest part of the meat or breast for poultry. Make sure the probe is not touching fat, bone, or parts of the oven or the pan.

Note: Food must be completely thawed before inserting the probe into the meat.

To use the probe:

- Insert the probe into the meat as described above. The probe symbol is displayed.
- Connect the probe to the oven. If the probe is not connected to the oven prior to starting Probe mode, an error tone sounds and the message “INSERT PROBE” is displayed.
- Set the cooking mode and temperature.
- The Set Probe Temp screen is displayed. A three digit input prompt “- - -” blinks in the lower right corner. Use the numeric keypad to enter the desired probe temperature and press **Enter** on the numeric keypad.

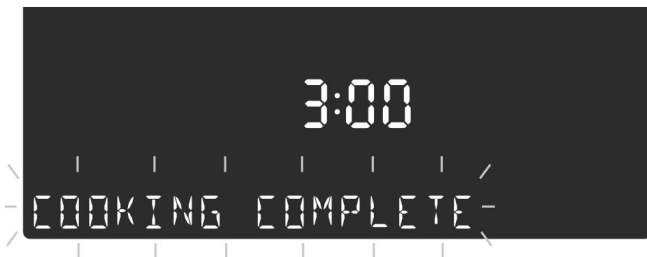
Note: The minimum probe temperature that can be set is 100° F (40° C) and the maximum is 200° F (100° C). If the probe temperature entered is outside this range, an error is displayed.



- The probe current temperature and target temperature are both displayed in the format “105 / 180” at the lower right corner of the display. The actual temperature will display < 80 until the food temperature reaches 80° F. The displayed probe temperature is updated in increments of 5° during the cooking process.



- When the probe temperature reaches the set temperature, the cooking mode turns off. The current time is displayed and the message “COOKING COMPLETE” blinks at the bottom left of the display. An alarm tone sounds every 10 seconds for 2 minutes.



This screen remains in the display until it is cleared by pressing the **Oven Clear/Off** touchpad or until the probe is removed. The display then goes back to stand by mode.

Note:

- Probe is not available when an Oven Timer has been set.
- To change the probe temperature press the **Probe** touchpad. The display enters probe temperature editing mode and displays the message “SET PROBE TEMP”. Enter the new probe temperature and press **Enter** to accept the new value.
- Do not store the probe in the oven.
- Always use the handle of the probe for inserting and removing.
- Always use a potholder to remove the probe since it becomes hot.
- Since meat continues to cook after being removed from the oven, set the internal (probe) temperature 5 - 10 degrees below the desired final internal temperature (exception poultry).

Sabbath Mode

The Sabbath mode enables those of particular faiths to use their ovens on the Sabbath.

The Sabbath mode can be entered in a Bake mode only. The bake temperature must be within the Sabbath mode temperature range of 100° to 450° F.

If the oven light is on during setup, it remains on throughout the Sabbath mode operation. If the oven light is off during setup, it remains off throughout the Sabbath mode operation.

To set the Sabbath Mode:

No kitchen timers or oven timers may be running when Sabbath mode is entered.

- Begin a Bake operation. While **Bake** is running, press and hold the **Oven Timer** touchpad for five seconds. If a timer is running when Sabbath mode attempts to start, the display blinks the message: “SABBATH NOT AVAILABLE”.



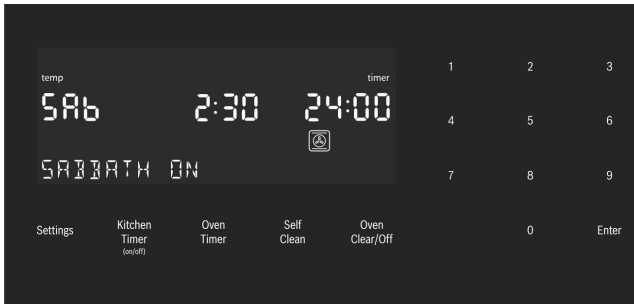
If no timers are running, the Sabbath mode settings appear in the display. The Sabbath Mode timer blinks showing the value can be edited. The default value is 74:00 (the maximum number of hours for which Sabbath Mode can be set.)



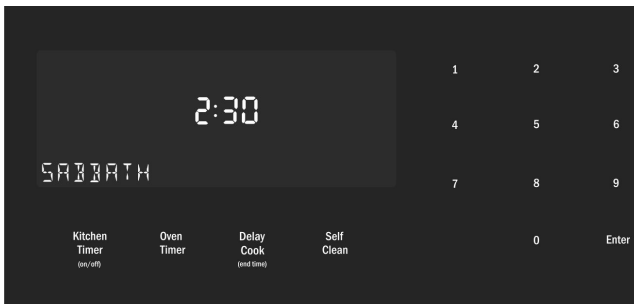
- Press **Enter** to accept the default 74:00 hours and start Sabbath Mode. Or use the numeric keypad to enter the desired Sabbath mode timer value. Timer values between 0:01 and 74:00 can be entered.

Note: If no changes are made within 10 seconds, Sabbath Mode auto starts.

- Once Sabbath mode has begun, the display changes to show the message “SABBATH ON”.



- After the Sabbath mode countdown reaches zero, the oven displays the current time and the message “SABBATH”. No changes can be made at this point. To end the Sabbath Mode and return to normal function, press the **Oven Clear/Off** touchpad.



Note:

- The temperature range in Sabbath Mode is 100° F to 450° F.
- The Sabbath Mode timer can be set between 0:01 and 74 hours.

To edit the Sabbath Temperature:

While editing the temperature in Sabbath mode, there is no feedback from the control. If an invalid temperature is set, the oven will default back to the previous running temperature.

- Press the Bake touchpad.
- Enter the new desired set temperature.
- Press Enter.

The oven will adjust its set temperature after a randomized delay.

Panel Lock

Allows the user to disable all buttons on the control panel. Panel Lock can only be enabled in stand by mode

- To enable Panel Lock, press and hold the **Panel Lock** touchpad for 3 seconds (in stand by mode).
- To disable Panel Lock, press and hold the **Panel Lock** touchpad for 3 seconds. The display returns to stand by mode.

Settings

The oven settings menu is used to customize certain oven settings.

The oven must be in Stand by mode (no cooking mode or timer running) in order to access the setup menu.

To make changes to Settings Menu Items:

- Press the **Settings** touchpad.
- The first setup item is displayed. The display shows “SET CLOCK”. Press **Settings** again to access the settings menu.
- To display a different setup item, press the number corresponding to that setting (see following table or press the **Settings** touchpad to cycle through available options).
- To change the value for the displayed setting press the **Enter** touchpad to enter the edit mode. Use the numeric keypad to change the setting value. The corresponding setting value is shown in the table following.

For the temperature offset, with the item in edit mode, press “-” or “+” first, then the numeric offset value.

The new value is automatically accepted as the display reverts from edit mode back to display mode.

To exit the Settings menu:

Press the **Clear On/Off** touchpad.

Oven Temperature Offset

The oven is calibrated to provide accurate results. This feature is useful if you prefer your foods lighter or darker. When an offset temperature is selected, the actual oven temperature is raised or lowered by this value.

The oven must be turned off in order to set an offset value. Refer to “*Temperature Offset*” in “*Settings Menu Options*” for setting.

Settings Menu Options

	Menu Item	Description	Default
1	Temperature Mode	Fahrenheit (° F) or Celsius (° C)	°F
2	Brightness	High, Medium, Low	MED
3	Volume	High, Medium, Low	High
4	Clock mode	12-hour or 24-hour display mode. 12HR, 24HR.	12HR
5	Auto Convection Conversion	Decreases oven temperature by 25 degrees set for Convection Bake and Convection Multi-Rack. On, Off.	OFF
6	Button Beep	Tone when touchpad is pressed. On, Off.	ON
7	Stand by Clock Display	Clock displays when no cooking mode or timer is in use. ON, OFF.	ON
8	Language	Language setting: English, (EN), French, (FR)	EN
9	Temperature Offset Note: Temperature offsets must always be entered as 2 digits. Example: 5° F is entered as 05.	Sets the temperature offset value for Bake, Convection Bake, Roast, Convection Roast and Convection Multi-Rack. When an offset value is entered, the actual oven temperature is increased or decreased by this value. This feature is useful if food is consistently either too brown or too light. The range for changing the offset is between +/- 35° F (+/- 19° C) in 1° increments. The default value is 0.	0

Operation - Warming Drawer

This section explains how to operate the warming drawer. See *“Getting the Most Out of Your Warming Drawer”* on page 28 for guidelines to improve warming drawer results.

About the Warming Drawer

The warming drawer will keep hot, cooked foods at serving temperature. Warming drawer settings are Low, Medium, and High.

Warming Drawer Specifications

Drawer Interior: 25" W x 17" D x 5" H

Dish sizes:

- 2 -9 x 13" Pyrex 3-quart dishes, side by side
- 2 -9 1/2 x 15" Pyrex 4-quart dishes, side by side
- 4 -10 1/2" plates, single or stacked
- 3 -11" plates, single or stacked

Operation

CAUTION

To maintain food safety, follow these guidelines:

- DO NOT use the warming drawer to heat cold food (exception: it is safe to use the drawer to crisp crackers, chips or dry cereal and to warm plates).
 - Be sure to maintain proper food temperature. The USDA recommends holding hot food at 140°F or warmer.
 - DO NOT warm food for longer than one hour.
 - Plastic containers, plastic wrap or aluminum foil can melt if in direct contact with the drawer or a hot cooking container. If it melts onto the drawer, it may not be removable.
-

Preheating

For best results, preheat the warming drawer when warming food.

Preheat Times:

- Low: 10 minutes
- Medium: 15 minutes
- High: 20 minutes

Turning Warming Drawer On and Off

1. Press the Warming Drawer touchpad.
2. WARMING DRAWER will be displayed with the default setting “MED”. The warming drawer amber icon is displayed below the clock.
3. To accept the “MED” setting, press the “Enter” touchpad on the numeric keypad. The setting is accepted and the warming drawer icon remains illuminated. If enter is not pressed, the warming drawer setting is not accepted and the warming drawer turns off.
4. To change the setting, when “MED” is displayed, press the warming drawer touchpad again. The setting changes to “HIGH”. Press the warming drawer touchpad again to change the setting to “LOW”. To accept a setting, press the Enter key on the numeric keypad. The displayed setting will be accepted and the warming drawer icon is illuminated below the clock, indicating that the warming drawer is active.
5. To turn the warming drawer off, press the warming drawer touchpad and the warming drawer will turn off and the warming drawer icon will no longer appear under the clock.

Warming Empty Serving Bowls and Plates

- Use only heat-safe dishes.
- Warm on low setting for cooking container.
- Check dish temperature during warming period.
- Place empty plates or dishes in a cold warming drawer. Do not preheat drawer prior to placing dishes.

Getting the Most Out of Your Cooktop

Cooktop Cooking Guide

Boiling Water

Time to boil can vary greatly depending on environmental conditions. Try the following tips to decrease boil time:

- Use a lid.
- Use a pan that is appropriately sized for the amount of water and the size of the burner.
- Select a pan with a flat base (See “Cookware Selection Guide” in the next column for details).
- Choose a medium-weight pan (rather than a heavy-weight one).
- Make sure that the pan is positioned so that the entire base is in contact with the burner grate.
- Start with water that is already warm.
- Boil the smallest amount of water necessary. Smaller volumes will boil faster than larger volumes.

Recommended Settings

Use this chart as a guide for heat settings. A range of heat settings are listed because the actual setting depends on:

- type and quality of pan (See “Cookware Selection Guide”),
- type, quantity and temperature of the food,
- element used and
- the cook’s preference.

Uses	Heat Settings
Bringing water to boil	High
Pan frying, sautéing, browning meat, deep fat frying	Medium High
Most frying, eggs, pancakes, slow boil	Medium
Simmering, finish cooking, covered foods, steaming	Medium Low
Melting butter and chocolate	Low

Cookware Selection Guide

Cookware Characteristics

- Aluminum or copper bottomed pans conduct heat evenly.
- Steel pans, if not combined with other metals, may cook unevenly.
- Cast-iron cookware absorbs heat slowly and cooks more evenly at low-to-medium settings.
- Flat, heavy bottom pans provide even heat and stability.
- DO NOT USE pans that are thin, warped, dented or ridged as they heat unevenly.

Tight Fitting Lids – A lid shortens cooking/boiling time by holding heat inside the pot.

Cookware Tips


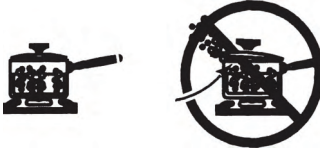
- Use of pots and pans with rounded (either concave or convex) warped or dented bottoms should be avoided.
- Make sure the bottom of the pot or pan being used is clean and dry.
- Use pots and pans with thick, smooth metal bottoms.

Specialty Pans

Pan Bottom Diameter

- The flame should be the same size as the bottom of the pan or smaller. Do not use small pans with high flame settings as the flames can lick up the sides of the pan.
- Oversize pans that span two burners are placed front to back, not side to side.
- For best cooking results, large pans should not extend over the sides of the grates.



<p>Use Balanced Pans</p> <ul style="list-style-type: none"> Balance is important for stability and even cooking. Pans must sit level on the cooktop grate without rocking or wobbling. Center pan over burner. 	
<p>Use a Lid That Fits Properly</p> <p>A well-fitting lid helps shorten the cooking time.</p>	

Specialty Pans

Specialty pans such as griddles, roasters, pressure cookers, woks, water bath canners and pressure canners must have the same features as described above. Use only a flat-bottomed wok or wok ring when using a wok.

Tight Fitting Lids – A lid shortens cooking/boiling time by holding heat inside the pot.

Cookware Tips

- Use of pots and pans with rounded (either concave or convex) warped or dented bottoms should be avoided.
- Make sure the bottom of the pot or pan being used is clean and dry.
- Use pots and pans with thick, smooth metal bottoms.

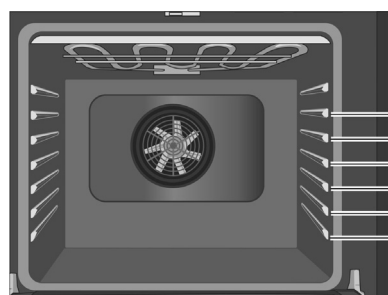
Getting the Most Out of Your Oven

General Tips

Pan Placement

Baking results are better if pans are placed in the center of the oven. If baking more than one pan on a rack, allow at least 1" to 1 ½" of air space around the pan. When baking four cake layers at the same time, stagger pans on two racks so that one pan is not directly above the other.

Rack Position



Rack positions are numbered from 1 to 6, from bottom to top. Consult the food cooking charts at the back of this manual for recommended rack positions.

The rail at the top of the oven is used as the guide for the top rack (position 6). Use rack positions 1 through 6 only. DO NOT attempt to use the top guide to support an oven rack.

Rack Position	Best For
6 (highest usable position)	hamburgers, steaks
5	toasting bread, broiling most meats, melting cheese
4	thicker meats
3	broiling poultry, most baked goods on a cookie sheet or baking pan using a single rack, includes frozen convenience foods, cakes, casseroles, frozen pizza
2	small roasts or poultry, bundt cakes, pies, breads
1 (lowest position)	large roasts, turkey, angel food cake

Aluminum Foil

Do not use aluminum foil or protective liners to line any part of the appliance, especially the oven bottom. Installing these liners may result in risk of electric shock or fire.

Preheating the Oven

- Place oven racks in desired position before heating the oven.
- Preheat the oven when using the Bake, Convection Bake, Convection Multi Rack, Pizza, Broil, Convection Broil, and Warm modes.

- Preheat is not used for Roast, Convection Roast and Proof modes.
- Allow oven to preheat while preparing recipe ingredients or food items.
- Setting a higher temperature does not shorten preheat time.
- Once oven is preheated, place food in the oven as quickly as possible to minimize the loss of heat and reduction of oven temperature.
- Use Fast Preheat to speed up preheating time.

Preheat Reminders

Your oven has one of the fastest preheat times in the market using a concealed bake element. The lower element is hidden under the oven bottom. It is normal that the preheat time is different than your previous oven that had an exposed element on the bottom.

- Cleaning the oven is easier because there is no cleaning around a coil element showing on the bottom of the oven. The hidden lower element is protected from food soils and spills. Wiping up excess spills is easy.
- Preheating is not necessary for meats, poultry, casseroles and some frozen foods.
- Preheat time will be longer when the electrical supply to your house is less than 240 volts.
- Increasing the oven temperature will require a longer preheat time. For example, the preheat time for 425° F is longer than the preheat time for 350° F.

When broiling, preheat the oven 3-4 minutes. Do not preheat for more than 5 minutes.

For Best Results

- Use the cooking recommendations as a guide.
- Open the door as briefly as possible to avoid temperature reduction.
- Use the interior oven light to view the food through the oven window rather than opening the door frequently.
- Use the KitchenTimer to keep track of cooking times.

Baking Pans and Dishes

- Glass baking dishes absorb heat. Reduce oven temperature 25° F when baking using glass dishes.
- Preheat the oven before adding glass baking dishes.
- Use pans that provide the desired browning. For tender, light, golden-brown crusts, use light, anodized or shiny metal bakeware.

- Dark, rough or dull pans (nonstick or anodized) will absorb heat and result in a browner, crisper crust. Some manufacturers recommend reducing the temperature 25 °F when using this type of pan. Follow manufacturers' recommendations.
- Insulated cookie sheets or bakeware will increase the length of cooking time.
- Do not set any heavy object on the open oven door.
- Do not keep empty pans or pizza stones in the oven during cooking as this could change the cooking performance. Store pans outside the oven.

Opening the Oven Door

- Open and close the appliance door only by holding the door handle. To avoid risk of burns, do not touch any other parts of the door.

High Altitude Baking

- When cooking at high altitudes, recipes and cooking times will vary.
- For accurate information, write the Extension Service, Colorado State University, Fort Collins, Colorado 80521. There may be a cost for the guides. Specify which high altitude food preparation guide you prefer: general information, cakes, cookies, breads, etc.

Condensation

- It is normal for a certain amount of moisture to evaporate from the food during any cooking process. The amount depends on the moisture content of the food. The moisture may condense on any surface cooler than the inside of the oven, such as the control panel.

Temperature Range by Cooking Mode

Temperatures shown are in Fahrenheit.

Mode	Lowest	Highest
Bake	100	550
Roast	100	550
Broil (Low, High)	450	550
Warm	150	225
Proof	85	125
Convection Bake	100	550
Convection Multi-Rack	100	550
Convection Roast	100	550
Pizza	100	550
Convection Broil (Low,High)	450	550

Cooking Modes

Bake



Bake is cooking with dry, heated air. Both the upper and lower elements cycle to maintain the oven temperature.

The Bake mode can be used to prepare a variety of food items, from pastries to casseroles. Refer to recipe or package directions for oven temperature and baking time.

Tips

- When using the Bake mode, preheat the oven if the recipe recommends it.
- Baking time will vary with the size, shape and finish of the bakeware. Dark metal pans or nonstick coatings will cook faster with darker results. Insulated bakeware will lengthen the cook time for most foods.
- **For best results, bake food on a single rack** with at least 1 1/2" space between pans or dishes and oven walls.
- Eliminate heat loss from the oven by using the window to periodically check food for doneness instead of opening the door.

Convection Bake



Convection Bake is similar to Bake. Heat comes from the upper and lower heating elements. The main difference in convection baking is that the heat is circulated throughout the oven by the convection fan.

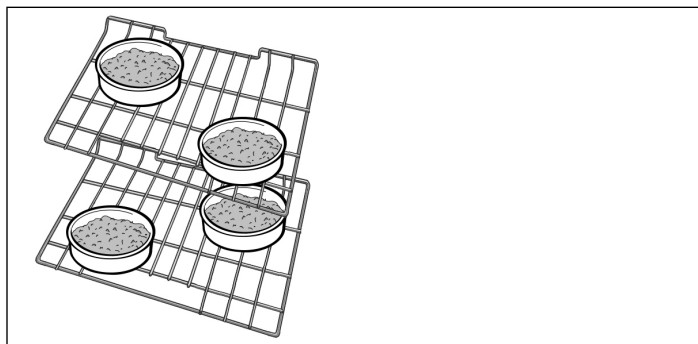
The Convection Bake mode is well suited for cakes, bar cookies and breads to take advantage of the bottom heat, yielding a better crust on baked items.

The benefits of Convection Bake include:

- Slight decrease in cook time.
- Higher volume (yeast items rise higher).

Tips

- Place food in shallow, uncovered pans such as cookie sheet without sides.
- For cakes use rack positions 2 and 5.
- If baking more than one pan on a rack, allow at least 1" to 1 1/2" of air space around the pan. Stagger pans so that one is not directly above the other (see image). Use these rack positions.



Auto Convection Conversion

Convection Bake and Convection Multi-Rack modes require a 25° F reduction in temperature. Auto Convection Conversion reduces the temperature you enter automatically. Simply enter the package or recipe temperature when setting the mode. The control calculates the correct temperature and it is shown in the display.

The Auto Convection Conversion feature can be turned on to allow for automatic temperature adjustments. See "Auto Convection Conversion" in the "Settings Menu Options" on page 20 for details.

Convection Multi-Rack



Multi-Rack mode cooks with heat from a third element behind the back wall of the oven. The heat is circulated throughout the oven by the convection fan.

The Convection Multi-rack mode is well suited for cooking individual serving-sized foods such as cookies and biscuits. It is also good for cooking on multiple racks (2 or 3) at the same time. Baking cookies is possible on 6 racks simultaneously. In this case, the baking time increases slightly.

The benefits of Multi-Rack include:

- Even browning.
- Time savings as a result of using multiple racks at one time.

Tips

- Reduce recipe temperature by 25° F if Auto Convection Conversion is not activated.
- Place food in low-sided, uncovered pans such as cookie sheets without sides.
- If baking more than one pan on a rack, allow at least 1" to 1 1/2" of air space around the pan. Stagger pans so that one is not directly above the other.

Pizza



In the **Pizza** mode, heat from the upper and lower elements is circulated throughout the oven by the convection fan.

Use the Pizza mode for fresh or frozen pizza.

Tips

- There might be a slight decrease in baking time. Check before minimum package time.
- When baking a frozen pizza:
For a crispy crust, place pizza directly on the rack.
For a softer crust, use a pizza pan.
- When proofing pizza dough, coat dough with olive oil and cover it in a bowl tightly with plastic wrap to prevent crust formation.
- Sprinkle cornmeal on the pizza pan to prevent sticking.
- If using a pizza paddle, sprinkle the paddle liberally with cornmeal for ease in transferring the dough to the pan.
- If par baking handmade pizza dough, prick the dough with a fork before baking.
- If using a pizza pan, choose a dark, perforated pan for a more crisp crust and a non-perforated pan for a softer crust.
- Preheat baking stones following manufacturer's recommendations while the oven is preheating.
- Bake homemade pizzas on rack position 2 in the center of the rack.
- Follow manufacturer's directions for frozen pizza.
- The convection fan cycles on and off when using pizza mode.

Roast



Roast uses both the upper and lower elements to maintain the oven temperature. Roasting uses more intense heat from the upper element than the lower element. This results in more browning of the exterior while the inside remains especially moist.

Roast is best suited for meat and poultry and less tender cuts of meat.

Tips:

- Preheating the oven is not necessary.
- Use a high-sided broil pan or roasting pan. Cover dish with a lid or foil for less tender cuts of meat.

- For less tender cuts of meat, add liquids such as water, juice, wine, bouillon or stock for flavor and moisture.
- Roasting bags and using a lid are suitable for use in this mode.
- When roasting whole chicken or turkey, tuck wings behind back and loosely tie legs with kitchen string.

Convection Roast



Convection Roast uses heat from the top and bottom elements as well as heat circulated by the convection fan.

The Convection Roast mode is well suited for preparing tender cuts of meat and poultry. It is also suitable for roasting vegetables.

The benefits of Convection Roast include:

- As much as 25% faster cooking than non-convection modes.
- Rich, golden browning.

Tips:

- Preheating the oven is not necessary.
- Use the same temperature as indicated in the recipe.
- Check doneness early, since roasting time may decrease. Refer to the Meat/Poultry cooking chart for examples.
- Do not cover meat or use cooking bags.
- Use a broil pan with a rack and grid or a shallow, uncovered pan with a rack for roasting.
- Use a meat thermometer to determine the internal temperature of the meat.
- If the meat is browned to your liking, but is not yet done, a small strip of foil can be placed over the meat to prevent overbrowning.
- Let meat stand covered with foil for 10 to 15 minutes after removing it from the oven.
- Refer to the Meat/Poultry Cooking Chart for recommended rack positions.

Broil



Broil uses intense heat radiated from the upper element.

The Broil mode is best suited for cooking thin, tender cuts of meat (1" or less), poultry and fish. It can also be used to brown breads and casseroles. Always broil with the door closed. The benefits of broiling include:

- Fast and efficient cooking.
- Cooking without the addition of fats or liquids.

Tips:

- Preheat oven 3–4 minutes. Do not preheat for more than 5 minutes.
- Steaks and chops should be at least $\frac{3}{4}$ " thick.
- Brush fish and poultry with butter or oil to prevent sticking.
- Use a broil pan and grid, or a deep pan with a metal rack, for broiling.
- Do not cover the broil grid with foil. It is designed to drain fats and oils away from the cooking surface to prevent smoking and spattering.
- Turn meats (other than fish) once during the recommended cook time. Fish does not need to be turned.
- When top browning casseroles, use only metal or glass ceramic dishes such as CorningWare®.
- Never use heat-proof glass (Pyrex®); it cannot tolerate the high temperature.
- For broil times, refer to the Meat/Poultry Cooking Chart.

Convection Broil



Convection Broil is similar to Broil. It combines intense heat from the upper element with heat circulated by a convection fan.

The Convection Broil mode is well suited for cooking thick, tender cuts of meat, poultry and fish. Convection Broil is not recommended for browning breads, casseroles and other foods. Always use convection broil with the door closed.

In addition to the benefits of standard broiling, convection broiling is faster.

Tips:

- Preheat oven 3–4 minutes. Do not preheat for more than 5 minutes.
- Steaks and chops should be at least 1 $\frac{1}{2}$ " thick.
- Use a broil pan and grid, or a deep pan with a metal rack, for broiling.
- Do not cover the broil grid with foil. It is designed to drain fats and oils away from the cooking surface to prevent smoking and spattering.
- Turn meats (other than fish) once during the recommended cook time. Fish does not need to be turned.
- Never use heat-proof glass (Pyrex®); it cannot tolerate the high temperature.
- For Convection Broil times, refer to the Meat/Poultry Cooking Chart.

Proof



In **Proof**, the oven uses the lower element to maintain a low temperature to proof bread or other yeast doughs.

- No preheat is necessary.
- Proofing is the rising of yeast dough.
- The Proof Dough mode temperature range is 85° F to 125° F.
- The default temperature in the Proof Dough mode is 100° F.
- Loosely cover the bowl or pan and use any rack that accommodates the size of the container.
- Keep the oven door closed and use the oven light to check the rising of the dough.

Warm



In **Warm**, the upper and lower elements maintain a low temperature in the oven cavity in order to keep food at serving temperature.

- Use the Warm mode to keep cooked foods hot until ready to serve for up to one hour.
- Warm mode temperatures are 150° F to 225° F.

- The default temperature in the Warm mode is 170° F.
- Foods that must be kept moist should be covered with a lid or aluminum foil.

▲ CAUTION

When using Warm mode, follow these guidelines:

- Do not use the Warm mode to heat cold food.
- Be sure to maintain proper food temperature. The USDA recommends holding hot food at 140° F or warmer.
- DO NOT warm food longer than one hour.

Getting the Most Out of Your Warming Drawer

About the Appliance

The warming drawer will keep hot, cooked foods at serving temperature. Always start with hot food. DO NOT use to heat cold food other than crisping crackers, chips, dry cereal, warming breads and biscuits, or warming dishes or plates.

The warming drawer has a push-to-open feature. Push in the front of the drawer to activate opening.

General Tips

Refer to the Warming Drawer Chart for recommended settings.

- To keep several different foods hot, set the temperature for the food needing the highest setting.
- Place items needing the highest setting toward the side of the drawer and items needing less heat in the center of the drawer.
- Food should be at serving temperature (above 140° F) before being placed in the warming drawer. DO NOT use to heat cold food other than crisping crackers, chips, and dry cereal, or warming dishes or plates.
- Preheat empty serving dish while preheating drawer if desired.
- Place cooked, hot food in warming drawer in its original cooking container or in a heat-safe serving dish.
- Aluminum foil may be used to cover food; However, DO NOT line the warming drawer with aluminum foil.
- Do not use the warming drawer for storage.

Use of Your Appliance

▲ CAUTION

To maintain food safety, do not leave food in the oven for more than one hour before or after cooking.

IMPORTANT:

Plastic containers or plastic wrap can melt if in direct contact with the drawer or a hot utensil. If it melts onto the drawer, it may not be removable.

Note:

Use heat-safe dishes only.

Preheating the Warming Drawer

Preheat the warming drawer when warming food. For best results, preheat for the following times:

Setting	Preheat Time
LOW	10 minutes
MED	15 minutes
HIGH	20 minutes

Warming Food

1. Preheat warming drawer.
2. Place cooked, hot food in the drawer.

It is okay to leave food in the cookware it was prepared. Alternatively, you can transfer food to a heat-safe serving dish before placing it in the warming drawer.

Aluminum foil or lid may be used to cover food.

Warming Plates and Bowls

Use only heat-safe dishes. Place empty dishes or plates in a cold warming drawer. No need to preheat.

Select **LOW**.

Temperature Recommendations

Food/Cookware	Setting	Cover Dish
Bacon	HIGH	No
Beef, medium and well done	MED	No
Beef, medium rare	LOW	No
Bread, hard rolls	MED	No
Bread, soft rolls, coffee cakes	MED	Yes
Biscuits	MED	Yes
Casseroles	MED	Yes
Eggs	MED	Yes
Fish, seafood	MED	Yes
Fried foods	HIGH	No
Gravy, cream sauces	MED	Yes
Ham	MED	Yes

Crisping Stale Items

Place food in low sided dishes or pans.

1. Press **LOW**.
2. Preheat for 10 minutes, then place dish in drawer.
3. Set the warming timer.
4. Check crispness after 45 minutes. Add time as needed.

Pancakes	HIGH	Yes
Pies, one crust	MED	Yes
Pies, two crusts	MED	No
Pizza	HIGH	No
Pork	MED	Yes
Potatoes, baked	HIGH	Yes
Potatoes, mashed	MED	Yes
Poultry, roasted	MED	Yes
Vegetables	MED	Yes
Plates	LOW	No
Plate of food	MED	Yes

Cleaning and Maintenance

Cooktop

Daily Cleaning

The entire Cooktop can be safely cleaned by wiping with a soapy sponge, then rinsing and drying. If stubborn soil remains, follow the recommended cleaning methods below.

- Always use the mildest cleaner that will do the job. Use clean, soft cloths, sponges or paper towels.
- Rub stainless steel finishes in the direction of the grain. Wipe area dry to avoid water marks.
- Before cleaning, be certain the burners are turned off and the grates and burners are cool.
- Do not clean removable cooktop parts in any self-cleaning oven.
- After cleaning, place all parts in their proper positions before using cooktop.
- For proper burner performance, keep igniters clean and dry.

- Keep the ignitor ports clean for proper lighting performance of the burners. It is necessary to clean these when there is a boilover or when the burner does not light even though the electronic igniters click.
- Do not use flammable cleansers such as lighter fluid or WD-40.

⚠ CAUTION

All igniters spark when any single burner is turned on. Do not touch any of the burners when the cooktop is in use.

Cleaning Guidelines

The cleaners recommended below and on the following page indicate a type and do not constitute an endorsement of a particular brand. Use all products according to package directions.

Cooktop Cleaning Chart

Cooktop Part / Material	Suggested Cleaners	Important Reminders
Burner Base Aluminum Alloy	<ul style="list-style-type: none"> • Detergent and hot water; rinse and dry. • Stiff nylon bristle toothbrush to clean port openings. • Abrasive Cleansers: Brillo® or S.O.S.® pads. Rinse and dry. 	<ul style="list-style-type: none"> • Do not scratch or gouge the port openings. • Clean ports with a wire or straightened paper clip. • Do not use a toothpick that may break off.
Burner Cap Porcelain Enamel	<ul style="list-style-type: none"> • Hot sudsy water; rinse and dry thoroughly. • Nonabrasive Cleansers: Ammonia, Fantastic®, Formula 409®. • Mild Abrasive Cleansers: Bon Ami®, Ajax®, Comet®. • Liquid cleaners: Kleen King®, Soft Scrub®. • For food stains, use an abrasive cleanser such as, Zud® or Bar Keepers Friend®. • Reassemble. Make sure that the cap is seated on the base. 	<ul style="list-style-type: none"> • Acidic and sugar-laden spills deteriorate the porcelain enamel. Remove soil immediately. • Do not use wet sponge or towel on hot porcelain. • Do not soak burner caps. • Always apply minimal pressure with abrasive cleaners. • Dry thoroughly after cleaning.

Cooktop Part / Material	Suggested Cleaners	Important Reminders
Exterior Finish Stainless Steel	<ul style="list-style-type: none"> • Nonabrasive Cleaners: Hot water and detergent, Fantastic®, Formula 409®. Rinse and dry immediately. • Cleaner Polish: Stainless Steel Magic® to protect the finish from staining and pitting; enhances appearance. • Hard water spots: Household white vinegar. • Mild Abrasive Cleaners: Kleen King Stainless Steel liquid cleaner, Bon Ami®. • Heat discoloration: Bar Keepers Friend®. 	<ul style="list-style-type: none"> • Do not use steel wool pads. They will scratch the surface. • Stainless steel resists most food stains and pit marks providing the surface is kept clean and protected. • Never allow food stains or salt to remain on stainless steel for any length of time. • Rub lightly in the direction of the grain. • Chlorine or chlorine compounds in some cleaners are corrosive to stainless steel. Check ingredients on label before using.
Grates Porcelain Enamel on Cast Iron	<ul style="list-style-type: none"> • Nonabrasive cleaners: Hot water and detergent, Fantastic®, Formula 409®. Rinse and dry immediately. • Mild abrasive cleaners: Bon Ami® and Soft Scrub®. • Abrasive cleaners for stubborn stains: soap-filled steel wool pad. 	<ul style="list-style-type: none"> • The grates are heavy; use care when lifting. Place on a protected surface for cleaning. • Blisters/ crazing/ chips are common due to the extreme temperatures on grate fingers and rapid temperature changes. • Acidic and sugar-laden spills deteriorate the enamel. Remove soil immediately. • Abrasive cleaners, used too vigorously or too often, can eventually mar the enamel. • Do not clean in a self-clean oven.
Igniters Ceramic	<ul style="list-style-type: none"> • Carefully wipe with a cotton swab dampened with water, ammonia or Formula 409®. • Gently scrape soil off with a toothpick. 	<ul style="list-style-type: none"> • Avoid excess water on the igniter. A damp igniter will prevent burner from lighting. • Remove any lint that may remain after cleaning.

Cleaning the Oven

⚠ WARNING

Children should not be left alone or unattended in an area where appliances are in use. During the self-clean cycle, parts of the appliance may become potentially harmful to persons who lack adult knowledge of appliances and adult reactions to potentially harmful conditions.

During the elimination of soil during self-cleaning, small amounts of carbon monoxide can be created. Fiberglass insulation could give off very small amounts of formaldehyde during the first several cleansing cycles. To minimize exposure to these substances, provide good ventilation with an open window, or use a ventilation fan or hood.

Self Clean

During self-clean, the oven is heated to a very high temperature. Soil is burned off at this temperature.

NOTICE:


Wipe out excessive spillage before self-cleaning the oven.

NOTICE:

Do not clean parts or accessories in the Self-Clean oven. Remove all baking dishes and oven racks from the oven prior to running Self-Clean.

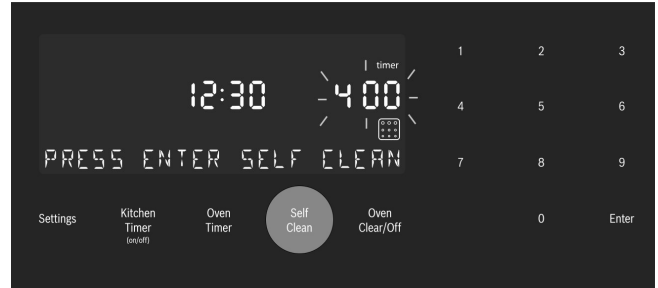
To set the self-clean mode:

1. Remove all accessories and racks from the oven.
2. If there is a cooking mode on, press **Oven Clear/Off** to end the running mode.
3. Press the **Self Clean** touchpad below the display.

The self-clean icon  appears in the display. The self-clean timer default (4:00) hours blinks to indicate it can be accepted or changed.


To accept the 4:00 hour default self-clean time, press **Enter** on the numeric keypad.

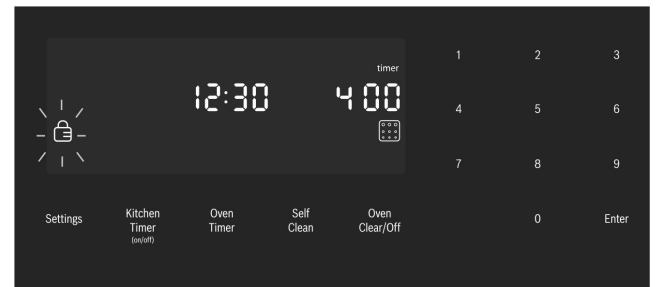
To enter a different number of hours use the numeric keypad. The value entered must be within the range of 2:00 to 4:00 hours. Entering a value less than 2:00 or greater than 4:00 results in an error tone and message. Use a longer setting for a heavily soiled oven.



4. When the desired self-clean time is displayed, press **Enter** on the numeric keypad.

The oven door locks prior to starting Self Clean.

The door lock symbol  is displayed and blinks while the door is being locked. Once locked, the door lock symbol is continuously illuminated (not blinking).



The door lock symbol remains illuminated as long as the self-clean mode is running.

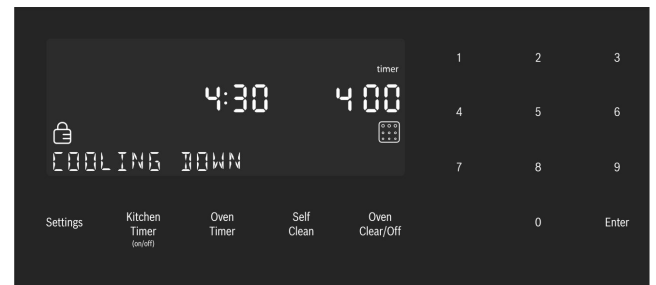
Note: The door remains locked until the oven has cooled down after self-cleaning. The door can be opened again only after “**Self Clean**” disappears from the display.

5. **Self Clean** starts and the oven self-clean timer begins its countdown.

To Cancel Self Clean

Press the **Oven Clear/Off** touchpad to cancel Self-Clean.

When the self-clean timer ends, for safety the unit must cool down before the door can unlock. During this period the message “**COOLING DOWN**” is displayed.



6. When the cool down is complete, the message “SELF CLEAN FINISHED” is displayed. Continue to use caution when opening the oven door.



7. Press **Oven Clear/Off** to clear the display when self-clean is finished.
8. After the oven has cooled down and the door is unlocked, wipe remaining ash from the oven using a moist cloth.

Note:

- The oven light cannot be turned on during self-cleaning.
- The special heat-resistant enamel and the polished components in the oven can become discolored over time. This is normal and does not affect operation. Do not use scouring pads or abrasive cleaners to treat discolorations.

Avoid These Cleaners

Do not use commercial oven cleaners such as Easy Off®. They may damage the oven finish or parts.

Chlorine or chlorine compounds in some cleansers are corrosive to stainless steel. Check ingredients on label.

Never use scouring pads or abrasive cleaners.

Oven Cleaning Guide

Part	Recommendations
Flat Rack	Wash with hot soapy water. Rinse thoroughly and dry, or gently rub with cleansing powder or soap-filled pads as directed. DO NOT clean the rack in the self-cleaning oven. If flat racks are cleaned in the oven during the self-clean mode, they will loose their shiny finish and may not glide smoothly. If this happens wipe the rack edges with a small amount of vegetable oil. Then wipe off excess.
Telescopic Rack	Wash with soapy water. Rinse thoroughly and dry, or gently rub with cleansing powder or soap-filled pads as directed. Avoid getting cleansing powder in the telescopic slides. Re-lubrication may become necessary. Use only high-temperature food-grade lubricants to re-lubricate slides. DO NOT clean the rack in the self-cleaning oven. DO NOT leave the rack in the oven during self-clean. If the telescopic rack is cleaned in the oven during the self-clean mode it will loose its shiny finish and will not glide smoothly.
Fiberglass Gasket	DO NOT CLEAN GASKET.
Glass	Wash with soap and water or glass cleaner. Use Fantastik® or Formula 409® to remove grease spatters and stubborn stains.
Painted Surfaces	Clean with hot soapy water or apply Fantastik® or Formula 409® to a clean sponge or paper towel and wipe clean. Avoid using powder cleaning agents, steel wool pads and oven cleaners.
Porcelain Surfaces	Immediately wipe up acid spills like fruit juice, milk and tomatoes with a dry cloth. Do not use a moistened sponge/cloth on hot porcelain. When cool, clean with hot soapy water or apply Bon-Ami® or Soft Scrub® to a damp sponge. Rinse and dry. For stubborn stains, use soap-filled pads. It is normal for porcelain to show fine lines with age due to exposure to heat and food soil.

Part	Recommendations
Stainless Steel Surfaces	Never allow food stains or salt to remain on stainless steel for any length of time. Always wipe or rub in the direction of the grain. Clean with a soapy sponge, then rinse and dry, or wipe with Fantastik® or Formula 409® sprayed on a paper towel. Protect and polish with Stainless Steel Magic® and a soft cloth. Remove water spots with a cloth dampened with white vinegar. Use Bar Keeper's Friend® to remove heat discoloration. Chlorine or chlorine compounds in some cleansers are corrosive to stainless steel. Check ingredients on label.
Plastic & Controls	When cool, clean with soapy water, rinse and dry.
Probe	Wipe with soapy water. Do not submerge. Do not wash in the dishwasher.
Printed Areas (Words and Numbers)	Do not use abrasive cleansers.

Cleaning the Warming Drawer

Part	Recommendations
Drawer interior (polished stainless steel)	Use dish detergent. Wash, rinse well and dry. For hard water spots or scale, use white vinegar. Apply with a sponge or cloth, rinse, and dry.
Painted surfaces	Use hot soapy water or mild cleaners such as Fantastik® or Formula 409®. Wash, rinse well and dry. Avoid using abrasive cleaning agents, steel wool pads and oven cleaners.
Drawer exterior frame (brushed stainless steel)	Always wipe or rub in the direction of the grain. Clean with a soapy sponge, then rinse and dry, or wipe with Fantastik® or Formula 409® sprayed on a paper towel. Protect and polish with Stainless Steel Magic® and a soft cloth. Remove water spots with a cloth dampened with white vinegar. Use Bar Keeper's Friend® to remove heat discoloration.

Maintenance

Cooktop Maintenance

The appliance requires only regular cleaning for proper operation. No other maintenance is required.

Oven Maintenance

Replacing an Oven Light

▲ WARNING

- Make sure the appliance and lights are cool and power to the appliance has been turned off before replacing the light bulb(s). Failure to do so could result in electrical shock or burns.
- The lenses must be in place when using the appliance.
- The lenses serve to protect the light bulb from breaking.
- The lenses are made of glass. Handle carefully to avoid breaking. Broken glass could cause an injury.
- Light socket is live when door is open.

Bulb specifications:

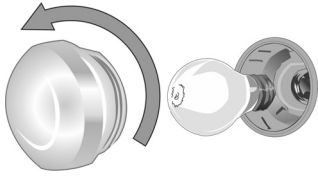
Bulb Description

40 watt, appliance bulb, standard Edison base

Bulb Image



To change the bulb:



1. Turn off power to the oven at the main power supply (fuse or breaker box).
2. Remove the glass cover by unscrewing it. Turn the glass counterclockwise to remove it.
3. Remove the bulb. The bulb unscrews counterclockwise.
4. Grasp the new bulb with a clean, dry cloth to prevent depositing skin oils on the glass which could lead to premature bulb failure. Replace the bulb by screwing it in turning the bulb clockwise.
5. Screw the glass cover back on.
6. Turn power back on at the main power supply (fuse or breaker box).

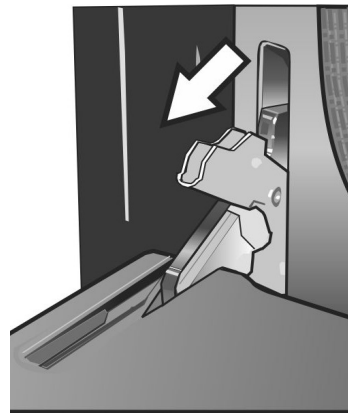
Removing the Oven Door

▲ WARNING

When removing the door:

- Make sure oven is cool and power to the oven has been turned off before removing the door. Failure to do so could result in electrical shock or burns.
- The oven door is heavy and parts of it are fragile. Use both hands to remove the oven door. The door front is glass. Handle carefully to avoid breakage.
- Grasp only the sides of the oven door. Do not grasp the handle as it may swing in your hand and cause damage or injury.
- Failure to grasp the oven door firmly and properly could result in personal injury or product damage.
- To avoid injury from hinge bracket snapping closed, be sure that both levers are securely in place before removing the door. Also, do not force door open or closed—the hinge could be damaged and injury could result.
- Do not lay removed door on sharp or pointed objects as this could break the glass. Lay on a flat, smooth surface, positioned so that the door cannot fall over.

To remove the oven door:



To help avoid injury or damage be sure to read the above WARNING before attempting to remove the oven door.

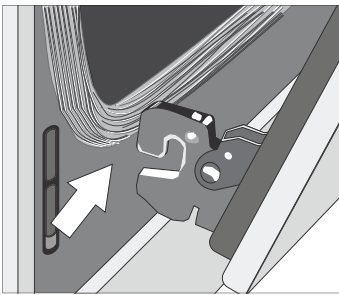
1. Open the oven door to its fully open, horizontal position.
2. Flip levers on hinges toward you.

Note: It may be necessary to use a tool, such as a screwdriver, to gently pry the upper part of the lever away from the housing. Take care to avoid scratching the housing.

-
3. Bring both door hinge levers to their fullest down position as shown in the illustration. The left and right door hinges may differ slightly but operate in the same manner.

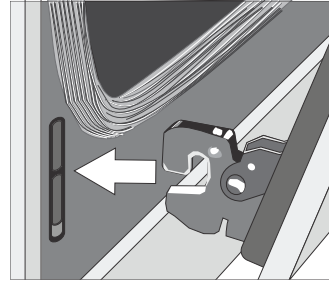


4. Close the oven door until it catches on the hinge stop levers, locking the hinges at the proper angle for door removal. The door will be open about 7 inches at the top. This takes the spring tension off the hinges so the door can be easily lifted out.

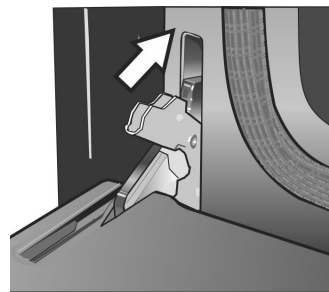


5. The door is heavy. Use both hands to firmly grip it by the sides. Do not grip the door by the handle. Maintaining the door angle, lift the door straight up approximately 3/4" to unhook the hinges from the slots and then pull it out towards you until the hinges are clear of the oven housing.
6. Place the door in a convenient and stable location for cleaning.

To replace the oven door:



1. Holding the door firmly in both hands, grip it on either side, not by the handle.
2. Tilt the door back slightly towards you until it opens about 7" at the top.
3. Slide the hinges into the slots as far as they will go and then lower the door straight down. The angle of the door may need to be adjusted slightly to allow the hinges to engage properly and the door to lower into place. The door should lower about 3/4" and stop. If not, the hinges have not engaged properly and the door could fall if it is released.
4. Once both hinges are fully engaged as described in Step 3, gently open the door until it is fully open.



5. Push the levers on both the hinges up and forward until they are locked into the slot, flush with the front of the oven body.
 6. Close and open door slowly to be sure it is correctly and securely in place.
-

Warming Drawer Maintenance

Removing the Drawer

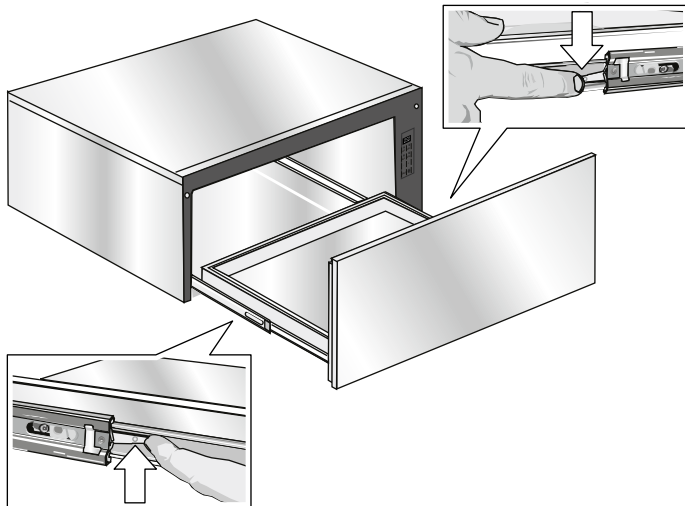
⚠ CAUTION

To prevent burns, do not remove drawer while hot. Be sure drawer is empty before removing.

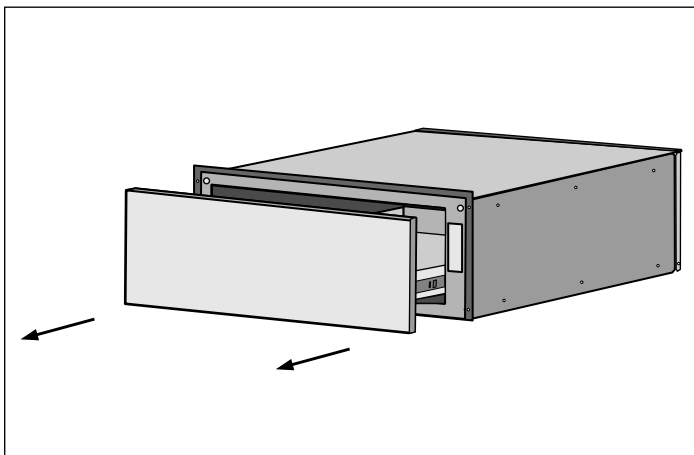
Removing Drawer from Housing

NOTICE: The following is the manufacturer's recommendations for removing and installing the drawer to minimize the risk of damage to the PTO mechanism.

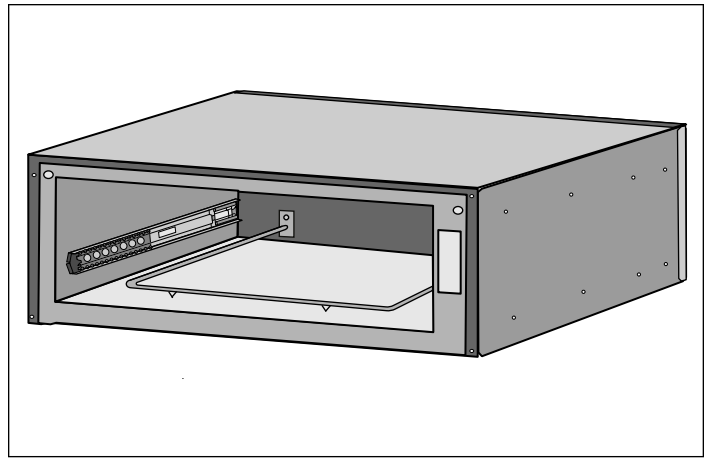
1. Remove the drawer from the drawer housing.
 - Pull drawer to fully open position.
 - Press down right drawer release lever.
 - Lift up left drawer release lever.
 - Firmly pull the drawer straight out.
 - Retract cabinet rails while drawer is removed.



2. Grasp both sides of the drawer and pulling straight and level, carefully remove the drawer housing. This step may require light to moderate force to completely remove drawer.



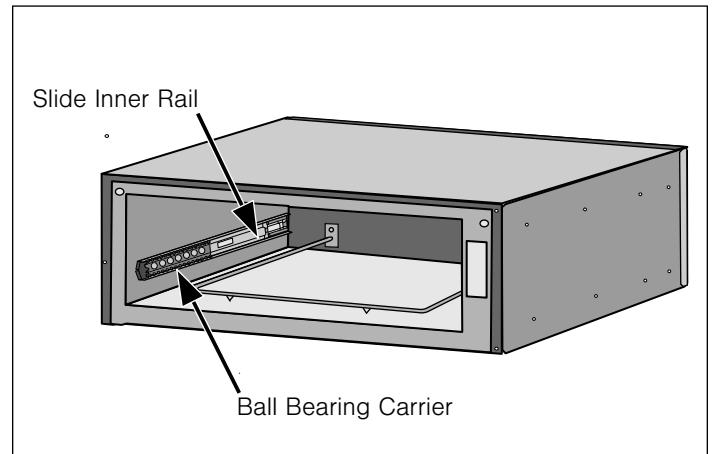
3. Install or service (clean) housing with drawer removed.



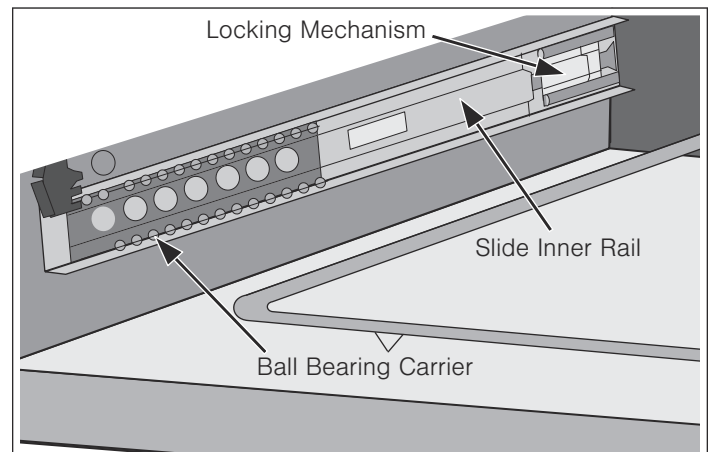
Installing Drawer to Housing

The slides mounted to each side of the housing wall have two moving components, an inner rail and a ball bearing carrier which need to be in the proper orientation for accurate installation and alignment.

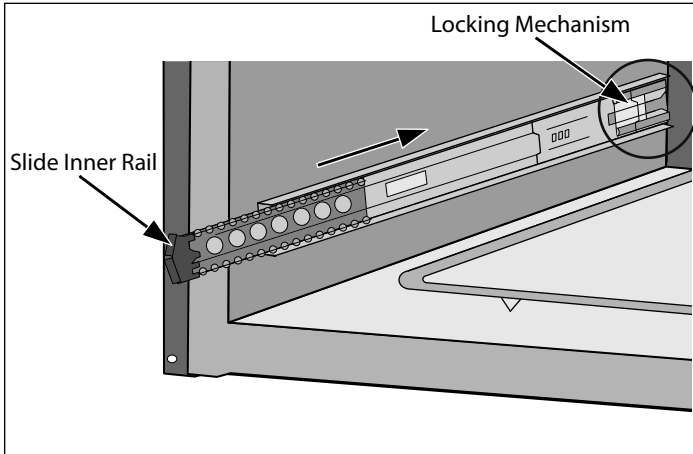
There is also a visible locking mechanism located at the rear of each slide.



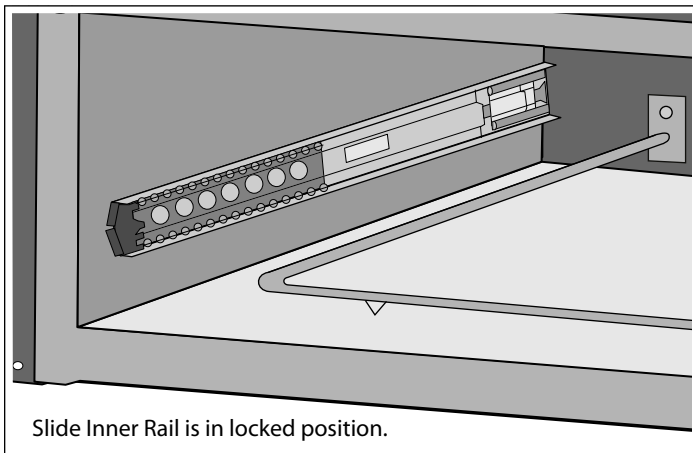
Note: The housing of your warming drawer should match the image below identically before starting your installation. The ball bearing carrier should be locked in to the inner rail's black plastic rail tip at the front of the inner rail.



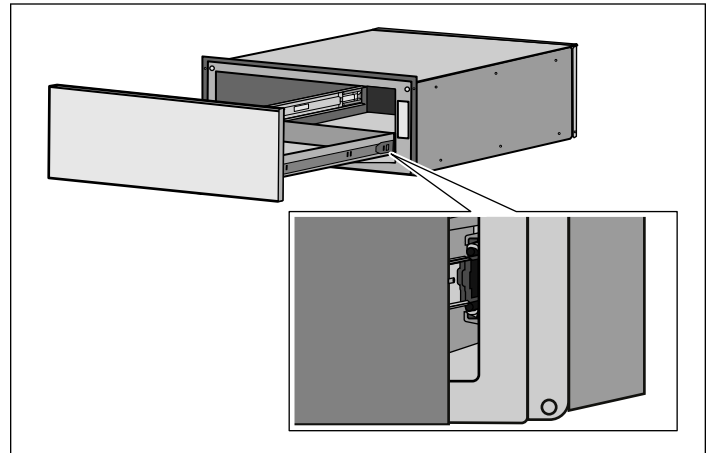
1. With the drawer removed, set the slide inner rail to the drawer locked position by pushing the slide inner rail **toward** the rear of the housing until it locks in place.



Note: A moderate force pushing on the black plastic ball carrier locking mechanism is required to set the slide to the drawer locked position. The drawer is locked when it remains in place and does not spring back to the open position.

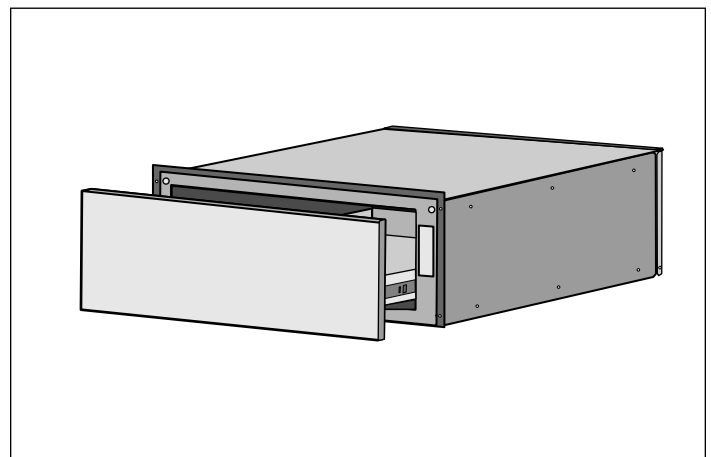


2. Position the drawer assembly in front of the housing assembly and align the rail (plastic rail tip) to the slide ball carrier assembly. Keeping the drawer assembly level and square to the housing, gently insert the drawer to the housing assembly.



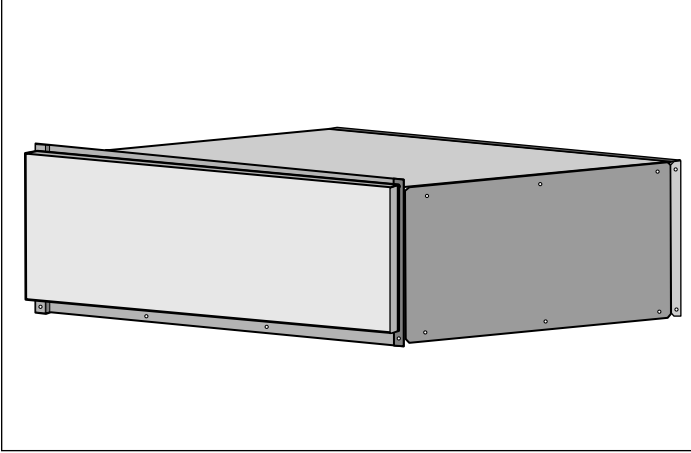
Notes

- A slight side-to-side wiggle motion may be required to properly get the ball bearings to accurately align.
 - **Remember:** You are attempting to align two sets of ball bearings at this point. If more than a moderate force is required to insert the drawer at this time, remove the drawer and repeat the installation procedure to this point.
3. Continue to insert the drawer keeping the drawer level and square to the housing until a slight increase in resistance is felt at the approximate position shown below.

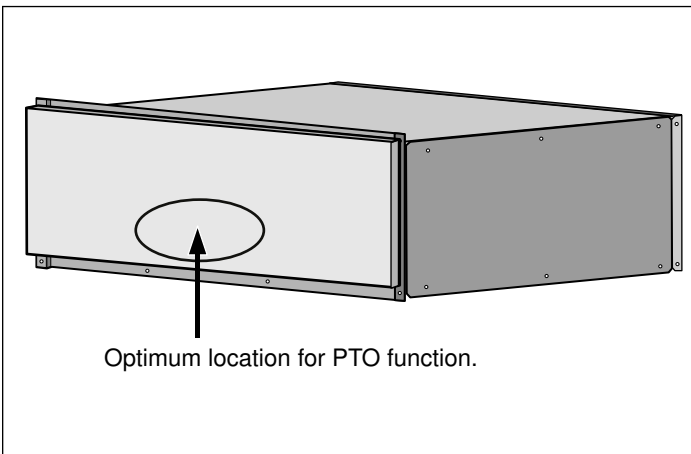


NOTICES

- At this position, a slight increase in closure force is required with several small increments of force applied to the drawer to accurately align and set the drawer for proper operation.
- An audible “click” should be heard when the drawer is properly closed causing the drawer to lock in the closed position.



4. Test the operation of the PTO drawer by pushing on the center lower portion of the drawer front (optimum location for function).



Note: It should be noted the recommended and optimum location for opening the drawer is the lower center front. The drawer will operate with an opening force applied to any location on the drawer front, however a slight increase in opening force may be required.

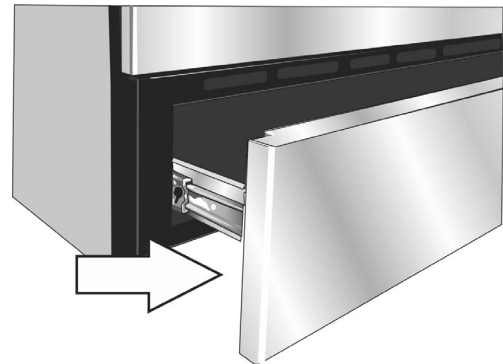
Service

How to Obtain Service or Parts

To reach a service representative, see the contact information at the front of the manual. Please be prepared with the information printed on your product rating label when calling.

Rating Label

The rating label shows the model and serial number. Refer to the rating label on the appliance when requesting service. The rating label is located on the back side of the drawer front. Open the drawer to view it.



Self Help

Cooktop Troubleshooting

Use these suggestions before calling for service to avoid service charges.

Cooktop Problem	Possible Causes and Suggested Solutions
Burner(s) do not light / Igniters do not spark	<ul style="list-style-type: none">• Make sure that the gas shut off valve is in the ON position and the gas supply to the house is not shut off.• Make sure the burner caps are properly positioned and the burner ports are not clogged. Clear ports with a wire or straightened paper clip if clogged.• Make sure the igniters are clean and dry.• Check the power supply. It should be properly grounded with the correct polarity. Make sure the unit is plugged in and the circuit breaker is not tripped.
Burner flame goes out unexpectedly	<ul style="list-style-type: none">• Make sure that there is no draft in the room.
Igniters spark even though knobs are in the off position	<ul style="list-style-type: none">• When the electrical power connection has been activated at the first power up or reconnected after an outage, the igniters may spark once or twice even though all burner knobs are in the off position.
Cooking results are not what was expected	<ul style="list-style-type: none">• The cooktop is not level.• Cooking pan does not fit the surface being used.• Cookware is not the type or size recommended.
Water takes too long to boil	Time to boil can vary greatly depending on environmental conditions. See "Boiling Water" in this manual for tips to decrease time to boil.

Oven Troubleshooting

Use these suggestions before calling for service to avoid service charges.

Oven Problem	Possible Causes and Suggested Solutions
The oven mode or temperature selected or the numbers selected do not appear in the display	Review manual instructions when setting clock, timer, or Self-Clean.
Oven door is locked and will not release, even after cooling	Turn the oven off at the circuit breaker and wait 5 minutes. Turn breaker back on. The oven should reset itself and will be operable.
Oven is not heating	Check circuit breaker or fuse box to your house. Make sure there is proper electrical power to the oven. Be sure oven temperature has been selected.
Oven is not cooking evenly	Adjust oven calibration if necessary (see <i>“Oven Temperature Offset” on page 19</i>). Refer to cooking charts for recommended rack position.
Baking results are not as expected	Refer to cooking charts for recommended rack position. Check <i>“Getting the Most Out of Your Oven” on page 23</i> for tips and suggestions. Adjust oven calibration if necessary (see <i>“Oven Temperature Offset” on page 19</i>).
Food takes longer to cook than expected	The oven is carefully calibrated to provide accurate results. However, the temperature can be offset if food is consistently too brown or too light. See <i>“Oven Temperature Offset” on page 19</i> .
Food is overcooked	The oven is carefully calibrated to provide accurate results. However, the temperature can be offset if food is consistently too brown or too light. See <i>“Oven Temperature Offset” on page 19</i> .
Convection Bake or Convection Multi-Rack results are not as Expected	If the Automatic Convection Conversion Feature is turned off, the temperature must be manually reduced by 25°F. If the feature is active, the temperature is automatically adjusted. See <i>“Turn Automatic Convection Conversion ON or OFF”</i> for more information. Refer to cooking charts and tips for rack positions, cooking times and pan selection. Adjust oven calibration if necessary. See <i>“Oven Temperature Offset” on page 19</i> .
Oven temperature is too hot or too cold	The oven thermostat needs adjustment. See <i>“Oven Temperature Offset” on page 19</i> .
Oven light is not working properly	Replace or reinsert the light bulb if loose or defective. Touching the bulb with fingers may cause the bulb to burn out.
Oven light will not turn off	Check for obstruction in oven door. Check to see if hinge is bent. When the Sabbath feature is activated, the oven light will stay on or off (as selected during set-up) during the entire Sabbath mode.
Cannot remove lens cover on light	There may be soil build-up around the lens cover. Wipe lens cover area with a clean dry towel prior to attempting to remove the lens cover.
Oven will not Self-Clean properly	Allow the oven to cool before running Self-Clean. Always wipe out loose soils or heavy spillovers before running Self-Clean. If oven is badly soiled, set oven for a five-hour Self-Clean. See <i>Preparing the Oven to Self-Clean</i> .
Clock and timer are not working properly	Make sure there is electrical power to oven. See Clock and Timer sections.
Porcelain chips	When oven racks are removed and replaced, always tilt racks upward and do not force them to avoid chipping the porcelain.
“F” and a number appears in display and control beeps	This is a fault code. Press Off to clear the display and stop beeping. Reset oven if necessary. If fault code remains and beep continues, record fault code, cancel oven and call authorized service technician.
With a new range there is a strong odor when oven is turned on	This is normal with a new range and will disappear after a few uses. Operating the self-clean cycle will also “burn-off” the smell more quickly.

Oven Problem	Possible Causes and Suggested Solutions
Control does not react when the pad is touched	Be sure that pad is clean. Touch the center of the touchpad. Use the flat part of your finger.
Fan is running during modes that don't use convection	On some models, the convection fan will run while the oven is preheating for the bake mode. This is normal. Slide-in models also have a cooling fan that runs during every cooking mode.
Warm air or steam escapes from oven vent	It is normal to see or feel steam or warm air escaping from the oven vent. Do not block the vent.
Cooling fan runs after oven is turned off (Slide-in ranges only)	This is normal. When the oven has cooled to a pre-determined temperature, the cooling fan turns off.
The cooktop does not operate during Self-Clean	This is normal for some models. Operation will return once Self-Clean is complete.

Statement of Limited Product Warranty

What this Warranty Covers & Who it Applies to

The limited warranty provided by BSH Home Appliances “Bosch” in this Statement of Limited Product Warranty applies only to the Bosch appliance sold to you, the first using purchaser, provided that the Product was purchased:

- For your normal, household (non-commercial) use, and has in fact at all times only been used for normal household purposes.
- New at retail (not a display, “as is”, or previously returned model), and not for resale, or commercial use.
- Within the United States or Canada, and has at all times remained within the country of original purchase.

The warranties stated herein apply to the original purchaser of the product warranted herein and to each succeeding owner of the product purchased for ordinary home use during the term of the warranty.

Please make sure to return your registration card; while not necessary to effectuate warranty coverage, it is the best way for Bosch to notify you in the unlikely event of a safety notice or product recall.

How Long the Warranty Lasts

Bosch warrants that the Product is free from defects in materials and workmanship for a period of three hundred and sixty-five (365) days from the date of purchase. The foregoing timeline begins to run upon the date of purchase, and shall not be stalled, tolled, extended, or suspended, for any reason whatsoever.

This Product is also warranted to be free from cosmetic defects in material and workmanship (such as scratches of stainless steel, paint/porcelain blemishes, chip, dents, or other damage to the finish of the Product), for a period of thirty (30) days from the date of purchase or closing date for new construction. This cosmetic warranty excludes slight color variations due to inherent differences in painted and porcelain parts, as well as differences caused by kitchen lighting, product location, or other similar factors. This cosmetic warranty specifically excludes any display, floor, “As Is”, or “B” stock appliances.

Repair/Replace as Your Exclusive Remedy

During this warranty period, Bosch or one of its authorized service providers will repair your Product without charge to you (subject to certain limitations stated herein) if your Product proves to have been manufactured with a defect in materials or workmanship. If reasonable attempts to repair the Product have been made without success, then Bosch will replace your Product (upgraded models may be available to you, in Bosch's sole discretion, for an additional charge). All removed parts and components shall become the property of Bosch at its sole option. All replaced and/or repaired parts shall assume the identity of the original part for purposes of this warranty and this warranty shall not be extended with respect to such parts. Bosch's sole liability and responsibility hereunder is to repair manufacturer-defective Product only, using a Bosch-authorized service provider during normal business hours. For safety and property damage concerns, Bosch highly recommends that you do not attempt to repair the Product yourself, or use an un-authorized service provider; Bosch will have no responsibility or liability for repairs or work performed by a non-authorized service provider. If you choose to have someone other than an authorized service provider work on your Product, THIS WARRANTY WILL AUTOMATICALLY BECOME NULL AND VOID. Authorized service providers are those persons or companies that have been specially trained on Bosch products, and who possess, in Bosch's opinion, a superior reputation for customer service and technical ability (note that they are independent entities and are not agents, partners, affiliates or representatives of Bosch). Notwithstanding the foregoing, Bosch will not incur any liability, or have responsibility, for the Product if it is located in a remote area (more than 100 miles from an authorized service provider) or is reasonably inaccessible, hazardous, threatening, or treacherous locale, surroundings, or environment; in any such event, if you request, Bosch would still pay for labor and parts and ship the parts to the nearest authorized service provider, but you would still be fully liable and responsible for any travel time or other special charges by the service company, assuming they agree to make the service call.

Out of Warranty Product

Bosch is under no obligation, at law or otherwise, to provide you with any concessions, including repairs, pro-rates, or Product replacement, once this warranty has expired.

Warranty Exclusions

The warranty coverage described herein excludes all defects or damage that are not the direct fault of Bosch, including without limitation, one or more of the following:

- Use of the Product in anything other than its normal, customary and intended manner (including without limitation, any form of commercial use, use or storage of an indoor product outdoors, use of the Product in conjunction with air or water-going vessels).
- Any party's willful misconduct, negligence, misuse, abuse, accidents, neglect, improper operation, failure to maintain, improper or negligent installation, tampering, failure to follow operating instructions, mishandling, unauthorized service (including self-performed "fixing" or exploration of the appliance's internal workings).
- Adjustment, alteration or modification of any kind.
- A failure to comply with any applicable state, local, city, or county electrical, plumbing and/or building codes, regulations, or laws, including failure to install the product in strict conformity with local fire and building codes and regulations.
- Ordinary wear and tear, spills of food, liquid, grease accumulations, or other substances that accumulate on, in, or around the Product.
- Any external, elemental and/or environmental forces and factors, including without limitation, rain, wind, sand, floods, fires, mud slides, freezing temperatures, excessive moisture or extended exposure to humidity, lightning, power surges, structural failures surrounding the appliance, and acts of God.

In no event shall BSH have any liability or responsibility whatsoever for damage to surrounding property, including cabinetry, floors, ceilings, and other structures or objects around the Product. Also excluded from this warranty are Products on which the serial numbers have been altered, defaced, or removed; service visits to teach you how to use the Product, or visits where there is nothing wrong with the Product; correction of installation problems (you are solely responsible for any structure and setting for the Product, including all electrical, plumbing or other connecting facilities, for proper foundation/flooring, and for any alterations including without limitation cabinetry, walls, floors, shelving, etc.); and resetting of breakers or fuses.

TO THE EXTENT ALLOWED BY LAW, THIS WARRANTY SETS OUT YOUR EXCLUSIVE REMEDIES WITH RESPECT TO PRODUCT, WHETHER THE CLAIM ARISES IN CONTRACT OR TORT (INCLUDING STRICT LIABILITY, OR NEGLIGENCE) OR OTHERWISE. THIS WARRANTY IS IN LIEU OF ALL OTHER WARRANTIES, WHETHER EXPRESS OR IMPLIED. ANY WARRANTY IMPLIED BY LAW, WHETHER FOR MERCHANTABILITY OR FITNESS FOR A PARTICULAR PURPOSE, OR OTHERWISE, SHALL BE EFFECTIVE ONLY FOR THE PERIOD THAT THIS EXPRESS LIMITED WARRANTY IS EFFECTIVE. IN NO EVENT WILL THE MANUFACTURER BE LIABLE FOR CONSEQUENTIAL, SPECIAL, INCIDENTAL, INDIRECT, "BUSINESS LOSS", AND/OR PUNITIVE DAMAGES, LOSSES, OR EXPENSES, INCLUDING WITHOUT LIMITATION TIME AWAY FROM WORK, HOTELS AND/OR RESTAURANT MEALS, REMODELLING EXPENSES IN EXCESS OF DIRECT DAMAGES WHICH ARE DEFINITELY CAUSED EXCLUSIVELY BY BOSCH, OR OTHERWISE. SOME STATES DO NOT ALLOW THE EXCLUSION OR LIMITATION OF INCIDENTAL OR CONSEQUENTIAL DAMAGES, AND SOME STATES DO NOT ALLOW LIMITATIONS ON HOW LONG AN IMPLIED WARRANTY LASTS, SO THE ABOVE LIMITATIONS MAY NOT APPLY TO YOU. THIS WARRANTY GIVES YOU SPECIFIC LEGAL RIGHTS, AND YOU MAY ALSO HAVE OTHER RIGHTS WHICH VARY FROM STATE TO STATE.

No attempt to alter, modify or amend this warranty shall be effective unless authorized in writing by an officer of BSH.

How to Obtain Warranty Service:

To obtain warranty service for your Product, you should contact the nearest Bosch authorized service center.

BSH Home Appliances - 1901 Main Street, Suite 600, Irvine, CA 92614 / 800-944-2904.

Cooking Charts

BAKED GOODS/ENTREES

Food	Recommended Cooking Mode	Oven Temperature	Pre-heat Oven	Number of Racks	Rack Position	Time (min.)	Pan Size & Type
Cakes							
Angel Food	Convect.Bake	325°F	Yes	Single	1	35-50	10" tube
Bundt	Convect.Bake	325°F	Yes	Single	2	45-65	12-cup bundt
Cupcakes	Conv. Multi-Rack	325°F	Yes	Single	3	17-27	12-cup muffin pan
	Conv. Multi-Rack	325°F	Yes	Multiple	2 & 5	17-27	12-cup muffin pan
	Conv. Multi-Rack	325°F	Yes	Multiple	1, 3, & 5	17-27	12-cup muffin pan
Round Layers	Convect.Bake	325°F	Yes	Single	3	28-40	8" or 9" round
	Convect.Bake	325°F	Yes	Multiple	2 & 5	28-40	8" or 9" round
Sheet Cake	Convect.Bake	325°F	Yes	Single	3	45-60	13"X9"X2"
Cookies							
Brownies	Convect.Bake	325°F	Yes	Single	3	33-40	8" or 9" square
Chocolate Chip	Conv. Multi-Rack	325°F	Yes	Single	3	8-17	cookie sheet
	Conv. Multi-Rack	325°F	Yes	Multiple	2 & 5	8-17	cookie sheet
	Conv. Multi-Rack	325°F	Yes	Multiple	1,3, & 5	8-17	cookie sheet
Cookie Bars	Convect.Bake	325°F	Yes	Single	3	23-33	8" or 9" square
Sugar	Conv. Multi-Rack	325°F	Yes	Single	3	8-10	cookie sheet
	Conv. Multi-Rack	325°F	Yes	Multiple	2 & 5	8-10	cookie sheet
	Conv. Multi-Rack	325°F	Yes	Multiple	1,3, & 5	8-10	cookie sheet
Entrees/Vegetables							
Casseroles	Bake	recipe temp.	Yes	Single	3	recipe time	casserole dish
Quiche	Bake	375° F	Yes	Single	2	30-40	quiche dish
Soufflé	Bake	325° F	Yes	Single	3	45-55	soufflé dish
Vegetables	Conv. Roast	recipe	No	Single	3	recipe	cookie sheet

The charts can be used as a guide. Follow package or recipe directions.

The convection temperatures have been reduced 25° F from the recipe or package directions.

Pastries							
Cream Puffs	Conv. Multi-Rack	400°F	Yes	Single	3	23-33	cookie sheet
	Conv. Multi-Rack	400°F	Yes	Multiple	2 & 5	23-33	cookie sheet
	Conv. Multi-Rack	400°F	Yes	Multiple	1,3, & 5	23-33	cookie sheet
Puff Pastry	Conv. Multi-Rack	375°F	Yes	Single	3	10-12	cookie sheet
Pies							
1 Crust Shell	Convect.Bake	475°F	Yes	Single	2	8-12	9" pie pan
2 Crust, Fruit	Convect.Bake	375°F	Yes	Single	2	45-60	9" pie pan
Frozen	Convect.Bake	375°F	Yes	Single	3	70-85	9" pie pan
Meringue	Bake	350°F	Yes	Single	2	10-15	9" pie pan
Pecan	Bake	350°F	Yes	Single	2	45-60	9" pie pan

BAKED GOODS/ENTREES

Food	Recommended Cooking Mode	Oven Temperature	Pre-heat Oven	Number of Racks	Rack Position	Time (min.)	Pan Size & Type
Pumpkin	Bake	425°F/ 350°F	Yes	Single	2	15/35-45	9" pie pan
Pizza							
Baking Stone	Pizza	425°F	Yes	Single	2	recipe time	baking stone
Fresh	Pizza	425°F	Yes	Single	2	recipe time	pizza pan
Thick Crust, Frozen	Pizza	on package	Yes	Single	on package	package time	package directions
Thin Crust, Frozen	Pizza	on package	Yes	Single	on package	package time	package directions
Quick Breads							
Biscuits	Conv. Multi-Rack	325°F	Yes	Single	3	10-20	cookie sheet
	Conv. Multi-Rack	325°F	Yes	Multiple	2 & 5	10-20	cookie sheet
Loaf	Convect.Bake	350°F	Yes	Single	2	48-60	8" x 4" loaf pan
Muffins	Conv. Multi-Rack	400°F	Yes	Single	3	14-25	12-cup muffin pan
	Conv. Multi-Rack	400°F	Yes	Multiple	2 & 5	14-25	12-cup muffin pan
Yeast Breads							
Dinner Rolls	Conv. Multi-Rack	375°F	Yes	Single	3	10-20	cookie sheet
	Conv. Multi-Rack	375°F	Yes	Multiple	2 & 5	10-20	cookie sheet
	Conv. Multi-Rack	375°F	Yes	Multiple	1, 3, & 5	10-20	cookie sheet
Loaf	Convect.Bake	400°F	Yes	Single	2	22-35	9" x 5" loaf pan
Sweet Rolls	Conv. Multi-Rack	325°F	Yes	Single	3	20-25	cookie sheet

The charts can be used as a guide. Follow package or recipe directions.

The convection temperatures have been reduced 25° F from the recipe or package directions.

MEATS

Food	Recommended Cooking Mode	Oven Temperature	Rack Position	Internal Temperature	Cooking Time min. unless otherwise specified	Food Covered	Stand Time
Beef							
Chuck Roast, 2-3 lbs	Roast	350°F	2	Well, 170°F	1 1/2-2 hours	Yes	none
Hamburgers, 3/4-1-inch thick	Broil	High	6	Medium, 160°F	Side 1: 5-8 Side 2: 4-6	No	none
Rib Eye, Boneless, 3-3.5 lbs.	Convection Roast	325°F	2	Medium-rare, 145°F	27-31 min./lb.	No	10-15 min.
Rib Eye, Boneless, 3-3.5 lbs.	Convection Roast	325°F	2	Medium, 160°F	30-38 min./lb.	No	10-15 min.
Rump, Eye, Sirloin, Boneless, 3-5.5 lbs.	Convection Roast	325°F	2	Medium-rare, 145°F	18-33 min./lb.	No	10-15 min.
Rump, Eye, Sirloin, Boneless, 3-5.5 lbs.	Convection Roast	325°F	2	Medium, 160°F	30-35 min/lb.	No	10-15 min.
Steaks, 1-inch thick	Broil	High	6	Medium-rare, 145°F	Side 1: 5-8 Side 2: 4-6	No	none
Steaks, 1-inch thick	Broil	High	6	Medium, 160°F	Side 1: 8-9 Side 2: 5-7	No	none
Steaks 1 1/2-inch thick	Convection Broil	High	4	Medium-rare, 145°F	Side 1: 11-14 Side 2: 9-13	No	none
Steaks 1 1/2-inch thick	Convection Broil	High	4	Medium, 160°F	Side 1: 13-18 Side 2: 11-14	No	none
Tenderloin, 2-3 lbs.	Convection Roast	425°F	2	Medium-rare, 145°F	15-24 min./lb.	No	5 min.
Lamb							
Leg, Boneless, 2-3 lbs.	Convection Roast	325°F	2	Medium, 145°F	25-30 min./lb.	No	10-15 min.
Leg, Boneless, 4-6 lbs.	Convection Roast	325°F	2	Medium, 160°F	30-35 min./lb.	No	10-15 min.
Chops, 1-inch thick	Broil	3 - High	4	Medium-rare, 145°F	Side 1: 4-6 Side 2: 4-5	No	none
Chops, 1-inch thick	Broil	3 - High	4	Medium, 160°F	Side 1: 5-7 Side 2: 5-6	No	none
Pork							
Ham Slice 1/2-inch thick	Broil	3 - High	5	160°F	Side 1: 4-5 Side 2: 3-4	No	none
Loin Roast, 1/2 - 3 lbs.	Convection Roast	350°F	2	145°F 160°F	16-30 min./lb. 19-36 min./lb.	No	30 min. 10-15 min.
Loin Roast, 3 - 6 lbs.	Convection Roast	350°F	2	145°F 160°F	16-30 min./lb. 14-23 min./lb.	No	30 min. 10-15 min.

The charts can be used as a guide. Follow package or recipe directions.

Roasting times are approximate and may vary depending on the shape of the meat.

Stuffed turkey requires additional roasting time. The minimum safe temperature for stuffing in poultry is 165° F.

NOTE: Internal food temperatures are USDA recommended temperatures as measured by a digital cooking thermometer.

MEATS

Food	Recommended Cooking Mode	Oven Temperature	Rack Position	Internal Temperature	Cooking Time min. unless otherwise specified	Food Covered	Stand Time
Pork							
Chops, 1-inch thick	Broil	Low	3	145°F	Side 1: 5-9	No	3 min.
		Low		160°F	Side 2: 8-11 Side 1: 8-10 Side 2: 8-9		
Chops, 1 1/2-inch thick	Convection Broil	High	4	160°F	Side 1: 9-11 Side 2: 8-10	No	none
Sausage, Fresh	Broil	High	4	170°F	Side 1: 3-6 Side 2: 2-4	No	none
Tenderloin, 2-3 lbs.	Convection Roast	425°F	3	145°F	18-28 min./lb.	No	5-10 min.
				160°F	20-27 min./lb.		
Poultry							
Chicken							
Bone-in Breasts	Convection Broil	Low	3	170°F	Side 1: 20-28 Side 2: 17-22	No	none
Bone-in Thighs	Broil	Low	3	180°F in thigh	Side 1: 14-16 Side 2: 12-14	No	none
Whole. 3.5-8 lbs.	Convection Roast	375°F	2	180°F in thigh	13-20 min./lb.	No	none
Cornish Game Hens, 1-1 1/2 lbs.	Convection Roast	350°F	2	180°F in thigh	45-75 min. total time	No	none
Turkey							
Breast, 4-8 lbs.	Convection Roast	325°F	2	170°F	19-23 min. /lb.	No	15-20 min. for easy carving
Unstuffed, 12-19 lbs.	Convection Roast	325°F	1	180°F in thigh	9-14 min./lb.	Foil to prevent over-browning	15-20 min. for easy carving
Unstuffed, 20-30 lbs.	Convection Roast	325°F	1	180°F in thigh	6-12 min./lb.	Foil to prevent over-browning	15-20 min. for easy carving
Seafood							
Fish Filets, 3/4-1-inch thick	Broil	Low	3	145°F	11-15 min.	No	none

The charts can be used as a guide. Follow package or recipe directions.

Roasting times are approximate and may vary depending on the shape of the meat.

Stuffed turkey requires additional roasting time. The minimum safe temperature for stuffing in poultry is 165° F.

NOTE: Internal food temperatures are USDA recommended temperatures as measured by a digital cooking thermometer.

Table des matières

À propos de ce manuel.	1	Tirer le meilleur parti de votre tiroir-réchaud	33
Définitions concernant la sécurité.	1	Nettoyage et entretien	35
QUE FAIRE SI VOUS SENTEZ UNE ODEUR DE GAZ 1		Surface de cuisson.	35
IMPORTANTES CONSIGNES DE SÉCURITÉ	2	Tableau de nettoyage de la table de cuisson.	35
Mise en route	7	Nettoyage du four.	37
Pièces et accessoires.	7	Nettoyage Auto	37
Capuchons de brûleur	8	Éviter ces produits nettoyants	38
Grilles de brûleur	9	Guide de nettoyage du four	38
Boutons de réglage	10	Nettoyage du tiroir-réchaud	39
Retrait des boutons de réglage de brûleurs	10	Entretien du four.	40
Accessoires	11	Remplacement de l'ampoule du four	40
Avant la première utilisation de l'appareil.	13	Démontage de la porte du four	41
Fonctionnement - Table de cuisson	14	Démontage du tiroir	43
À propos de la table de cuisson	14	Remise en place du tiroir	44
Fonctionnement normal		Dépannage	46
(Allumage/rallumage électronique).	14	Comment obtenir des services de dépannage ou	
Caractéristiques typiques d'une flamme.	14	des pièces	46
Fonctionnement - Four	15	Aide sans assistance	46
Panneau de commande du four	15	Essayez ces suggestions avant de contacter un service	
Avant la première utilisation du four	16	de dépannage pour éviter les frais de service.	46
Fonctionnement	16	Énoncé de Garantie Limitée du Produit.	49
Réglage de l'horloge.	17	Tableaux de cuisson.	51
Réglage du mode de cuisson et de la température	17		
Limitation de la durée de chauffage	18		
Minuterie.	18		
Sonde.	19		
Mode Shabbat	21		
Verrouiller les touches	22		
Réglages	22		
Options du menu Réglages	23		
Fonctionnement - Tiroir-réchaud	24		
À propos du tiroir-réchaud	24		
Fonctionnement	24		
Tirer le meilleur parti de votre table de cuisson	25		
Tirer le meilleur parti de votre four	27		
Modes de cuisson.	29		

Cet appareil électroménager Bosch est fabriqué par
BSH Home Appliances, Corporation
1901 Main Street, Suite 600
Irvine, CA 92614

Questions?

1-800-944-2904

www.bosch-home.com

Il nous fait toujours plaisir de recevoir vos commentaires!

À propos de ce manuel

Comment ce manuel est organisé

Ce manuel contient plusieurs sections :

- La section *Sécurité* décrit des procédures importantes qui visent à assurer votre sécurité pendant l'utilisation de l'appareil.
- La section *Mise en route* décrit les caractéristiques et fonctionnalités de l'appareil et comprend une description de son installation et fonctionnement.
- La section *Fonctionnement* décrit comment actionner et obtenir le meilleur rendement de chaque composant.
- La section *Nettoyage et Entretien* décrit la façon de nettoyer et d'entretenir l'appareil.
- La section *Dépannage* comprend les conseils de dépannage et la garantie.
- Avant d'utiliser l'appareil, prière de lire attentivement ce manuel. Prêter une attention toute particulière aux *Importantes consignes de sécurité* situées au début du manuel.

Définitions concernant la sécurité

▲ AVERTISSEMENT

Ceci indique que le non-respect de cet avertissement peut entraîner des blessures graves, voire la mort.

▲ ATTENTION

Ceci indique que le non-respect de cet avertissement peut entraîner des blessures légères ou modérées.

AVIS : Ceci indique que la non-conformité à cet avis de sécurité peut entraîner des dégâts à l'appareil ou à la propriété.

Remarque : Ceci vous avertit que d'importantes informations et/ou conseils sont fournis.

AVERTISSEMENT :

Si les informations de ce manuel ne sont pas suivies à la lettre, un incendie ou une explosion peuvent se produire entraînant des dommages matériels, des lésions corporelles ou la mort.

- **Ne pas ranger ou utiliser de matériaux combustibles, d'essence ou d'autres liquides et vapeurs inflammables à proximité de cet appareil ou d'aucun autre appareil.**
- **QUE FAIRE SI VOUS SENTEZ UNE ODEUR DE GAZ**
 - **Ne tentez pas d'allumer un appareil, quel qu'il soit.**
 - **Ne touchez à aucun interrupteur électrique.**
 - **N'utilisez pas les téléphones de votre immeuble.**
 - **Téléphonez immédiatement à votre fournisseur de gaz de chez un voisin. Suivez les instructions du fournisseur de gaz.**
 - **Si vous ne parvenez pas à joindre votre fournisseur de gaz, appelez le service d'incendie.**
- **L'installation et les réparations doivent être effectuées par un installateur qualifié, un organisme de service autorisé ou le fournisseur de gaz.**

⚠ IMPORTANTES CONSIGNES DE SÉCURITÉ

LIRE ET CONSERVER CES CONSIGNES

Sécurité

⚠ AVERTISSEMENT

DANGER DE BASCULEMENT!

Il est possible pour un enfant ou un adulte de faire basculer la cuisinière et d'être tué. Vérifier que le support anti-basculement a été bien installé. S'assurer que le support anti-basculement est réengagé lorsque la cuisinière est déplacée.



Ne pas faire fonctionner la cuisinière si le support anti-basculement n'est pas en place. Le non-respect des instructions de ce manuel peut entraîner la mort ou des brûlures graves aux enfants ou adultes.

Vérifier que le support anti-basculement est installé et utilisé correctement. Saisir l'extrémité arrière de la cuisinière pour essayer de l'incliner doucement vers l'avant. Vérifier si les dispositifs anti-basculement sont engagés au niveau des pieds de la cuisinière et empêchent celle-ci de basculer. La cuisinière ne doit pas se déplacer de plus de 1 po (2,5 cm).

Installation et entretien corrects

- **AVERTISSEMENT :** Votre nouvel appareil a été conçu pour un fonctionnement sûr et fiable si vous en prenez bien soin. Lire attentivement toutes les consignes avant l'emploi. Ces précautions réduiront les risques de brûlures, de choc électrique, d'incendie et de lésions corporelles. Lors de l'utilisation d'appareils de cuisine, il est impératif de respecter les mesures de sécurité élémentaires, y compris celles figurant aux pages suivantes.
- Demander à l'installateur de vous indiquer l'emplacement du coupe-circuit ou du fusible. Identifier sa position pour pouvoir le retrouver facilement.
- L'installation et la mise à la terre correctes de cet appareil doivent être effectuées par un technicien qualifié. Brancher uniquement l'appareil sur une prise correctement reliée à la terre. Se reporter à la notice d'installation pour obtenir des détails supplémentaires.
- Cet appareil est destiné uniquement à un usage domestique familial normal. Il n'est pas autorisé pour un usage en extérieur. Voir l'« Énoncé de Garantie

Limitée du Produit ». Pour toute question, contacter le fabricant.

- Ne pas entreposer ni utiliser de produits chimiques corrosifs, vapeurs, substances inflammables ou produits non alimentaires à l'intérieur ou à proximité de cet appareil. Celui-ci a été spécialement conçu pour faire chauffer ou faire cuire des aliments. L'emploi de produits chimiques corrosifs pour chauffer ou nettoyer l'appareil endommagera celui-ci et peut entraîner des blessures.
- Ne pas se servir de cet appareil s'il ne fonctionne pas correctement ou s'il est endommagé. Communiquer avec un centre de réparation autorisé.
- Ne pas cuisiner avec une cuisinière défectueuse. Les solutions de nettoyage et les débordements peuvent entraîner un risque de choc électrique.
- Ne pas obstruer les événements du four.
- Ne pas réparer ni remplacer des pièces de l'appareil à moins que cela ne soit expressément recommandé dans ce manuel. Confier l'entretien de l'appareil à un centre de service autorisé par l'usine.
- En cas d'erreur, l'écran clignote et émet un signal sonore continu. Si cela se produit pendant le cycle autonettoyant, débrancher l'appareil de l'alimentation secteur et téléphoner à un technicien qualifié.
- En cas d'erreur, l'écran clignote et émet un signal sonore continu. Débrancher l'appareil de l'alimentation secteur et téléphoner à un technicien qualifié.
- Pour éviter que les boutons de réglage ne deviennent trop chauds, utilisez la table de cuisson conjointement avec un système de ventilation convenable.

Sécurité en matière de gaz

- Pour éviter l'accumulation de monoxyde de carbone, ne pas bloquer les ouvertures d'aération de l'appareil.
- Demandez à l'installateur de vous indiquer où se trouve le robinet d'arrêt de gaz.
- Si un brûleur s'éteint et ne se rallume pas, faites appel à un service de dépannage.
- Si vous sentez une odeur de gaz, votre installateur a mal vérifié s'il y avait des fuites. Si les connexions ne sont pas parfaitement étanches, il peut y avoir une petite fuite, et, par conséquent, une légère odeur de gaz. La détection d'une fuite de gaz n'est pas une procédure à « faire soi-même ». Certaines fuites ne peuvent être détectées que si le bouton de contrôle du

IMPORTANTES CONSIGNES DE SÉCURITÉ

LIRE ET CONSERVER CES CONSIGNES

brûleur est sur ON (marche) et ceci doit être fait par un technicien en entretien et en réparation qualifié.
Voir « QUE FAIRE SI VOUS SENTEZ UNE ODEUR DE GAZ », page 1.

Pour un bon rendement des brûleurs, s'assurer que les allumeurs sont propres et secs.

Sécurité-incendie

- Ne pas utiliser de papier aluminium ou de doublure de protection pour revêtir toute partie de l'appareil, et en particulier la sole du four. L'utilisation de ces doublures peut entraîner un risque de choc électrique ou d'incendie.
- Si des matériaux s'enflamment à l'intérieur d'un four ou d'un tiroir-réchaud, ne pas ouvrir la porte. Mettre l'appareil hors tension et débrancher le circuit électrique au boîtier de disjoncteurs.
- Utilisez cet appareil uniquement pour l'usage auquel il est destiné comme décrit dans ce manuel. Par exemple, ne jamais utiliser l'appareil pour réchauffer ou chauffer une pièce. Ne jamais utiliser l'appareil pour entreposer quoi que ce soit.
- Régler la commande du brûleur de manière à ce que la flamme ne dépasse pas du fond de la casserole.
- Ne pas laisser du papier aluminium, du plastique, du papier ou du tissu entrer en contact avec un brûleur ou une grille chaude. Ne pas laisser les casseroles bouillir jusqu'à évaporation complète.
- Si la table de cuisson se situe près d'une fenêtre, d'une sortie d'air pulsé ou d'un ventilateur, s'assurer que les matériaux inflammables des recouvrements de fenêtre ne se déplacent pas au-dessus ou à proximité des brûleurs ou des éléments de la table de cuisson. Ils risquent en effet de prendre feu.
- Toujours avoir un détecteur de fumée qui fonctionne près de la cuisine.
- Ne jamais laisser la table de cuisson allumée sans surveillance. Les débordements par ébullition produisent des émanations de fumées et les graisses répandues peuvent s'enflammer.
- **AVERTISSEMENT**—POUR RÉDUIRE LE RISQUE D'UN INCENDIE DE GRAISSE SUR UN DESSUS DE CUISINIÈRE :
 - a) Ne jamais laisser les éléments de surface allumés à feu élevé sans surveillance. Les débordements dégagent de la fumée et des déversements graisseux pouvant s'enflammer. Chauffer l'huile lentement à feu doux ou moyen.
 - b) Toujours mettre en marche la hotte aspirante pour une cuisson à feu vif ou pour flamber un met (par exemple : crêpes Suzette, cerises Jubilé, steak au poivre flambé).

- c) Nettoyer fréquemment les ventilateurs d'aération. Ne pas laisser la graisse s'accumuler sur le ventilateur ou le filtre.
 - d) Utiliser des ustensiles adaptés. Toujours utiliser des ustensiles adaptés à la taille du brûleur.
- Si les cheveux ou les vêtements s'enflamment, se laisser tomber au sol et se rouler immédiatement par terre pour éteindre les flammes.
 - Veillez à ce que les courants d'air engendrés par des ventilateurs ou des prises d'air forcé ne poussent pas les flammes au-delà des rebords des casseroles.
 - Lorsque possible, ne pas faire fonctionner le système de ventilation pendant un incendie de table de cuisson. Toutefois, ne pas passer le bras à travers les flammes pour essayer d'éteindre l'incendie.
 - Tenir à disposition un extincteur approprié, situé à proximité, qui soit bien en vue et facile à atteindre non loin du four.
 - Pour éteindre les flammes d'un incendie provoqué par des aliments autre qu'un incendie de graisse, utiliser du bicarbonate de soude. Ne jamais utiliser d'eau sur les feux de cuisson.

AVERTISSEMENT

POUR RÉDUIRE LE RISQUE DE LÉSIONS CORPORELLES DANS L'ÉVENTUALITÉ D'UN INCENDIE DE GRAISSE, OBSERVER LES CONSIGNES SUIVANTES :

- **ÉTOUFFER LES FLAMMES** à l'aide d'un couvercle bien hermétique, d'une tôle à biscuits ou d'un plateau en métal, puis éteindre le brûleur. FAIRE ATTENTION À NE PAS SE BRÛLER. Si les flammes ne s'éteignent pas immédiatement, ÉVACUER LES LIEUX ET FAIRE APPEL AU SERVICE D'INCENDIE.
 - NE JAMAIS SAISIR UN RÉCIPENT QUI BRÛLE — Vous pourriez vous brûler.
 - NE PAS UTILISER D'EAU, y compris les chiffons ou serviettes mouillées — une violente explosion de vapeur risque de se produire.
 - Utiliser un extincteur **UNIQUEMENT** si :
 - 1) Vous savez que vous disposez d'un extincteur d'incendie de CLASSE ABC et vous savez déjà vous en servir.
 - 2) L'incendie est de petite ampleur et contenu dans la zone où il s'est déclaré.
 - 3) Le service d'incendie est appelé.
 - 4) On peut combattre l'incendie le dos tourné vers la sortie.
-

IMPORTANTES CONSIGNES DE SÉCURITÉ

LIRE ET CONSERVER CES CONSIGNES

ATTENTION :

Tous les allumeurs font des étincelles lorsqu'on allume un brûleur. Ne pas toucher aux brûleurs lorsque la table de cuisson est en fonctionnement. Si les cheveux ou les vêtements s'enflamment, se laisser tomber au sol et se rouler immédiatement par terre pour éteindre les flammes.

Prévention des brûlures

- **NE PAS TOUCHER AUX GRILLES DE LA TABLE DE CUISSON NI AUX ZONES SITUÉES À PROXIMITÉ DES BRÛLEURS DE LA TABLE DE CUISSON** - Les zones situées à proximité des brûleurs peuvent devenir suffisamment chaudes pour provoquer des brûlures. Pendant et après l'utilisation, ne pas toucher ni laisser vêtements, poignées isolantes ou autres matériaux inflammables entrer en contact avec les brûleurs de la table de cuisson ou les zones adjacentes avant qu'ils n'aient eu suffisamment de temps pour se refroidir. Les surfaces qui risquent d'être chaudes sont la table de cuisson et les zones qui lui font face.
- **NE PAS TOUCHER AUX ÉLÉMENTS CHAUFFANTS OU AUX PAROIS INTÉRIEURES DU FOUR** - Les éléments chauffants peuvent être chauds même s'ils sont de couleur foncée. Les parois intérieures d'un four peuvent devenir suffisamment chaudes pour provoquer des brûlures. Pendant et après l'utilisation, ne pas toucher, ni laisser vêtements, poignées isolantes ou autres matériaux inflammables entrer en contact avec les éléments chauffants ou les parois intérieures du four avant qu'ils n'aient eu suffisamment de temps pour se refroidir. Les autres surfaces de l'appareil peuvent devenir suffisamment chaudes pour provoquer des brûlures. Citons notamment les ouvertures des événements, les surfaces situées près de ces ouvertures et les portes du four.
- Faire attention en ouvrant la porte de l'appareil. Se tenir sur le côté, ouvrir lentement et légèrement la porte (ou le tiroir) pour laisser l'air chaud et/ou la vapeur s'échapper. Éloigner le visage de l'ouverture et s'assurer qu'aucun enfant ou animal domestique ne se trouve à proximité de l'unité. Une fois la vapeur et l'air chaud échappés, continuer la cuisson. Garder les portes fermées sauf pour la cuisson ou le nettoyage. Ne pas laisser les portes ouvertes sans surveillance.
- Ne pas chauffer ou réchauffer des contenants d'aliments non ouverts. L'accumulation de pression peut faire exploser le contenant et provoquer des blessures.
- Toujours placer les grilles du four dans la position désirée lorsque le four est froid. Si une grille doit être déplacée alors que le four est chaud, ne pas laisser les poignées isolantes entrer en contact avec les éléments chauffants.

- Toujours utiliser des poignées isolantes sèches. Les poignées mouillées ou humides entrant en contact avec les surfaces chaudes peuvent provoquer des blessures par dégagement de vapeur. Ne pas laisser les poignées isolantes entrer en contact avec les éléments chauffants. Ne pas utiliser de serviette ni de chiffon volumineux.
- Toujours mettre en marche la hotte aspirante pour une cuisson à feu vif ou pour flamber un met (par exemple : crêpes Suzette, cerises Jubilé, steak au poivre flambé).
- Utiliser les réglages de cuisson à feu vif sur la table de cuisson uniquement lorsque nécessaire. Pour éviter l'ébullition et les projections, chauffer l'huile lentement, au maximum à feu doux ou moyen. L'huile chaude peut provoquer de très graves brûlures et blessures.
- Ne jamais déplacer un ustensile de cuisson rempli d'huile chaude, en particulier une friteuse. Attendre qu'il refroidisse.
- Attacher les vêtements lâches, etc. avant de commencer. Attacher les cheveux longs de façon à ce qu'ils ne pendent pas et ne pas porter de vêtements lâches ou d'habits ou objets qui pendillent, tels que cravates, foulards, bijoux ou manches.
- Éviter de tendre le bras ou de se pencher au-dessus de la cuisinière. Il faut savoir que certains vêtements et laques pour cheveux peuvent contenir des produits chimiques inflammables qui risquent de s'enflammer au contact des unités de surface chaudes ou des éléments chauffants et causer des brûlures graves.
- Ne pas toucher aux surfaces intérieures du tiroir lorsque celui-ci est en fonctionnement. L'intérieur du tiroir peut devenir suffisamment chaud pour causer des brûlures. Laisser le tiroir et la grille (s'il y en a une) refroidir avant toute manipulation.
- **AVERTISSEMENT :** Pour éviter le risque de brûlure, ne pas enlever le tiroir tant qu'il est chaud. S'assurer que le tiroir est vide avant de l'enlever.

AVERTISSEMENT

Utilisez cet appareil uniquement pour l'usage auquel il est destiné comme décrit dans ce manuel. **NE JAMAIS** utiliser cet appareil comme un radiateur électrique portatif pour chauffer ou réchauffer la pièce. Ceci peut entraîner un empoisonnement au monoxyde de carbone et l'échauffement excessif de l'appareil. Ne jamais utiliser l'appareil pour entreposer quoi que ce soit.

IMPORTANTES CONSIGNES DE SÉCURITÉ

LIRE ET CONSERVER CES CONSIGNES

AVERTISSEMENT

NE JAMAIS couvrir les fentes, orifices ou ouvertures de la sole du four ni boucher intégralement une grille avec des matériaux tels que le papier aluminium. Ceci risque de bloquer la circulation de l'air à l'intérieur du four et peut entraîner un empoisonnement au monoxyde de carbone. Les doublures de papier aluminium peuvent d'autre part piéger la chaleur ce qui peut entraîner un risque d'incendie.

- Faire attention lors de la cuisson au four d'aliments à forte teneur en alcool (par exemple, le rhum, l'eau de vie, le whisky, etc.). L'alcool s'évapore à des températures élevées. Les vapeurs d'alcool pouvant s'enflammer dans le four présentent un risque de brûlure. Il ne faut utiliser que des petites quantités d'alcool dans les aliments et faire attention en ouvrant la porte du four.

Sécurité des enfants

- Lorsque les enfants sont assez âgés pour utiliser l'appareil, les parents ou les tuteurs légaux ont la responsabilité de veiller à ce qu'ils soient instruits des pratiques de sécurité par des personnes qualifiées.
- Ne laisser personne grimper, se tenir debout, s'appuyer, s'asseoir ou se suspendre à une partie quelconque de l'appareil, en particulier la porte, le tiroir-réchaud ou le tiroir de rangement. Ceci peut endommager l'appareil, le faire basculer et provoquer potentiellement des blessures graves.
- Ne pas laisser les enfants utiliser cet appareil sans l'étroite surveillance d'un adulte. Enfants et animaux ne doivent pas être laissés seuls ou sans surveillance à l'endroit où l'on utilise l'appareil. Ne pas laisser les enfants jouer à proximité de l'appareil que celui-ci soit en fonctionnement ou non.

ATTENTION

Les articles d'intérêt pour les enfants ne doivent pas être rangés dans un appareil électroménager, dans les armoires au-dessus d'un appareil ou sur le dossier. Un enfant qui grimpe sur l'appareil pour prendre ces objets peut se blesser sérieusement.

Avertissement issue de la proposition 65 :

Ce produit pourrait contenir un produit chimique reconnu par l'État de la Californie comme cancérigène ou ayant des effets nocifs sur la reproduction. Par conséquent, l'emballage de votre produit pourrait porter l'étiquette suivante, comme requis par la Californie :

AVERTISSEMENT ISSU DE LA PROPOSITION 65 DE L'ÉTAT DE LA CALIFORNIE :

 **AVERTISSEMENT**

Cancer et dommages à la reproduction -
www.P65Warnings.ca.gov

Sécurité pendant le nettoyage

- **AVIS DE SÉCURITÉ IMPORTANT :** En application de la loi californienne concernant la salubrité de l'eau et la protection contre les substances chimiques (« California Safe Drinking Water and Toxic Enforcement Act »), le gouverneur de Californie est tenu de publier une liste des substances reconnues par l'État de Californie comme étant cancérigènes ou pouvant causer des malformations ou présenter un danger pour la reproduction, et les entreprises sont tenues d'avertir les consommateurs des risques potentiels d'exposition à de telles substances. L'incinération de combustibles gazeux de cuisson et l'élimination de résidus au cours d'un programme d'autonettoyage d'un four peut générer de faibles quantités de monoxyde de carbone. L'isolant en fibre de verre dont sont dotés les fours autonettoyants produit de très faibles quantités de formaldéhyde durant les quelques premiers cycles de nettoyage. Le formaldéhyde est classé par la Californie comme étant une cause potentielle de cancer. Le monoxyde de carbone est une cause potentielle de toxicité pour la reproduction. L'exposition à ces substances peut être minimisée en :
 - 1) assurant une bonne ventilation pendant la cuisson au gaz;
 - 2) assurant une bonne ventilation pendant et immédiatement après l'autonettoyage du four;
 - 3) utilisant l'appareil selon les instructions figurant dans ce guide.



IMPORTANTES CONSIGNES DE SÉCURITÉ

LIRE ET CONSERVER CES CONSIGNES

- Ne pas nettoyer l'appareil alors qu'il est encore chaud. Certains nettoyeurs produisent des émanations nocives lorsqu'ils sont appliqués sur une surface chaude. Chiffons ou éponges humides peuvent causer des brûlures par dégagement de vapeur.
- Pendant l'autonettoyage, s'assurer que la porte est bien verrouillée et qu'elle ne s'ouvre pas. Si elle ne se verrouille pas, ne pas exécuter le cycle d'autonettoyage. Communiquer avec un centre de dépannage.
- Les oiseaux ont un système respiratoire sensible. Les éloigner de la cuisine ou des pièces où la fumée peut les atteindre. Pendant le nettoyage, les émanations de fumée sont nocives aux oiseaux. D'autres émanations telles la margarine surchauffée et les huiles de cuisson sont également nocives.
- Ne pas laisser la graisse s'accumuler dans le four.

Sécurité de la batterie de cuisine

- Ne pas placer les aliments directement sur la sole du four.
- Observer les instructions du fabricant lors de l'utilisation des sacs de cuisson au four ou à rôtir.
- Tenir le manche de l'ustensile pour remuer ou retourner les aliments. Ceci permet d'éviter les renversements et le déplacement de l'ustensile.
- Utiliser des ustensiles adaptés. Si vous utilisez des ustensiles trop petits, une partie de l'élément chauffant ou du brûleur risque d'être exposée et d'enflammer les vêtements par contact direct. Choisir des ustensiles à fond plat et assez grands pour recouvrir la surface de l'élément chauffant. Cet appareil est doté d'un ou de plusieurs éléments de surface de tailles différentes. Un bon rapport entre ustensile et élément chauffant ou brûleur améliore aussi l'efficacité.
- Toujours orienter le manche d'un ustensile vers l'intérieur pour ne pas qu'il dépasse sur les aires de travail adjacentes, les brûleurs ou le rebord de l'appareil. Ceci réduit les risques d'incendie, de renversements et de brûlures.
- **ATTENTION** : Les contenants en plastique ou le film étirable peuvent se fondre lorsqu'ils sont en contact direct avec le tiroir ou un ustensile chaud. S'ils se fondent dans le tiroir, ils peuvent être impossibles à nettoyer.

Sécurité alimentaire

- **ATTENTION** : Pour assurer la sécurité alimentaire, respecter les règles d'hygiène suivantes :
 - 1) NE PAS utiliser le tiroir-réchaud pour faire chauffer des aliments froids (exception : le tiroir-réchaud peut être utilisé en toute sécurité pour redonner leur croquant aux biscuits salés, aux croustilles ou aux céréales sèches et pour faire chauffer les assiettes).
 - 2) S'assurer de maintenir les aliments à la température adéquate. L'USDA recommande de maintenir les aliments chaud à 140 °F (60 °C) ou plus.
 - 3) NE PAS maintenir des aliments au chaud pendant plus d'une heure.

Conversion au gaz de pétrole liquéfié

AVERTISSEMENT

Si l'installation de la cuisinière n'est pas exécutée par un installateur ou un électricien qualifié, des blessures personnelles ou la mort peuvent se produire à la suite d'un choc électrique.

Toute adjonction, modification ou conversion nécessaire pour faire en sorte que cet appareil électroménager réponde de façon satisfaisante aux besoins de l'application doivent être réalisées par un technicien qualifié.

Le nécessaire de conversion au gaz PL doit être installé par un technicien en entretien et en réparation qualifié. Lors de l'installation de ce nécessaire, prendre bien soin de suivre les instructions de montage relatives à la conversion au gaz PL.

Mise en route

Pièces et accessoires

Votre appareil peut différer légèrement de cette illustration.



Légende des pièces de la cuisinière

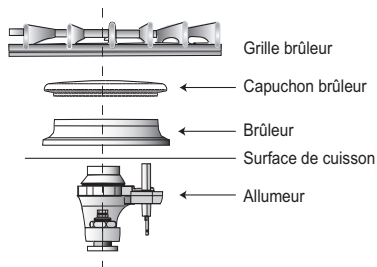
- | | |
|---|---|
| 1 | Panneau de commande du four |
| 2 | Boutons de réglage de la table de cuisson |
| 3 | Joint de porte |
| 4 | Loquet de porte |
| 5 | Prise de sonde |
| 6 | Ventilateur à convection |
| 7 | Guides de positionnement de grille avec 6 positions |

- | | |
|----|--------------------|
| 8 | Sole du four |
| 9 | Charnière de porte |
| 10 | Tiroir-réchaud |

Caractéristiques de la cuisinière

Brûleurs à gaz scellés

La table de cuisson est équipée de brûleurs à gaz scellés. En conséquence, il n'y a aucune pièce à nettoyer, à démonter ou à régler sous la table de cuisson. Les liquides renversés restent sur la table de cuisson où il est plus facile de les essuyer.



Capuchons de brûleur

La table de cuisson est munie de trois brûleurs de taille différente; un petit, un moyen et un grand. Faire correspondre les lettres des capuchons de brûleur avec celles des bases de brûleur.

Les capuchons de brûleur sont en acier vitrifié. Les capuchons de brûleur doivent être placés convenablement pour que la table de cuisson puisse fonctionner correctement. S'ils sont mal placés, le ou les problèmes suivants peuvent survenir :

- Les flammes sont trop hautes.
- Les flammes se détachent des brûleurs.
- Les brûleurs ne s'allument pas.

- Les flammes s'allument de manière irrégulière.
- Une odeur de gaz se dégage des brûleurs.

▲ AVERTISSEMENT

Pour éviter les poussées de flamme et la génération de sous-produits nocifs, ne pas utiliser la table de cuisson sans les capuchons et grilles de brûleur correctement installés.

▲ AVERTISSEMENT

Pour éviter les brûlures, ne pas toucher les grilles ni les capuchons de brûleur chauds. Éteindre la table de cuisson et laisser les brûleurs refroidir.

Pose des capuchons de brûleur

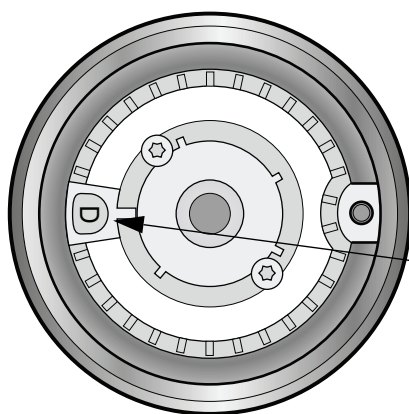
Chaque capuchon comporte une lettre (A, D, ou F) coulée dans la partie inférieure du capuchon correspondant à une lettre (A, D, ou F) coulée dans la base du brûleur solidaire de l'appareil.

Remarque : Sur certains modèles, le brûleur central ne comporte aucun marquage de lettre sur la base du brûleur.

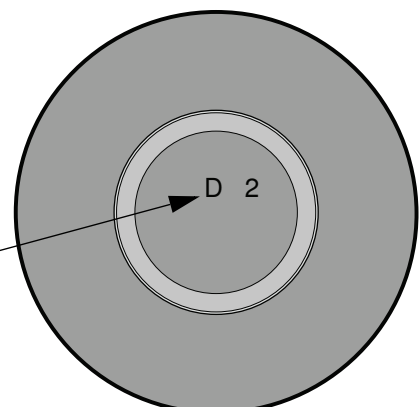
- Placez chaque capuchon de brûleur sur la base du brûleur correspondant selon la lettre marquée sur chacun d'eux. *Voir la figure « Désignation des lettres correspondantes. », page 8.*

Placez le capuchon de brûleur délicatement sur la base de manière à ce que les pattes de la base du brûleur s'ajustent parfaitement dans la fente du capuchon de brûleur.

Base de brûleur



Capuchon de brûleur



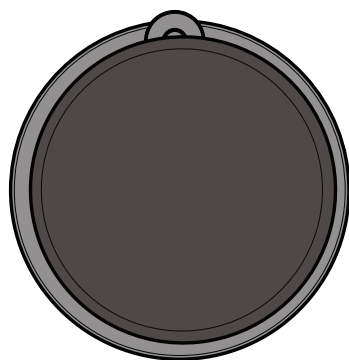
Désignation des lettres correspondantes.

Vérification du placement des capuchons de brûleur

- Vérifiez qu'il n'y a pas d'espace entre le capuchon du brûleur et la base du brûleur. Voir la figure « Pose des capuchons de brûleur », page 9, pour connaître la bonne et la mauvaise façon d'installer le capuchon d'un brûleur.

- Vous pouvez essayer de déplacer légèrement le capuchon de brûleur d'un côté à l'autre pour vérifier s'il est bien placé. S'il est bien placé, le capuchon émettra un léger bruit d'un côté et de l'autre au fur et à mesure que les pattes butent contre le rebord des fentes.

Placement correct des capuchons de brûleur



Placement incorrect des capuchons de brûleur

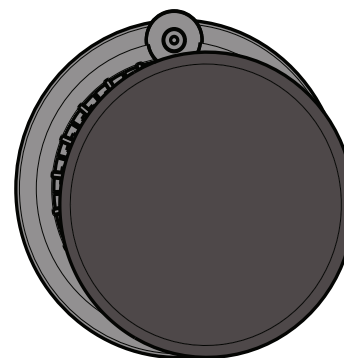
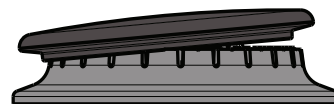
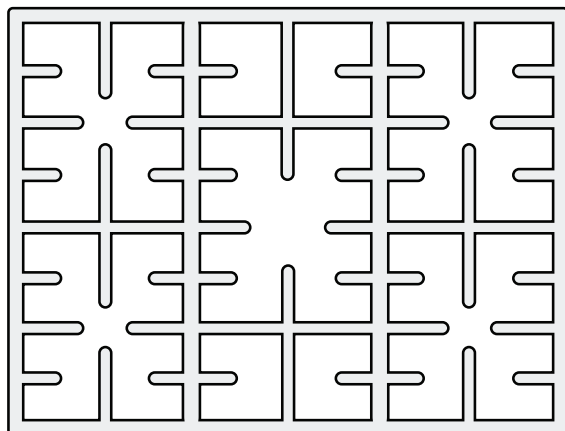


Figure 1: Pose des capuchons de brûleur

Grilles de brûleur

Les grilles doivent être correctement positionnées avant la cuisson.



⚠ AVERTISSEMENT

Pour éviter les poussées de flamme, veiller à la bonne stabilité des ustensiles et éviter les déversements, positionner correctement les grilles sur la table de cuisson lorsque celle-ci est en fonctionnement. Ne pas utiliser une grille si les pieds en caoutchouc sont endommagés ou manquants.

Pour acheter un pied en caoutchouc de remplacement : Pièce n° 416438, contactez votre revendeur ou appelez le service après-vente dont le numéro figure à l'intérieur de la couverture.

Boutons de réglage

La table de cuisson comporte un bouton de réglage pour chaque brûleur.

⚠ ATTENTION

Le non-respect des consignes d'utilisation correctes des boutons peut entraîner des lésions corporelles et endommager l'appareil.

La table de cuisson est dotée de commandes de brûleur standard et d'anneaux de caoutchouc.

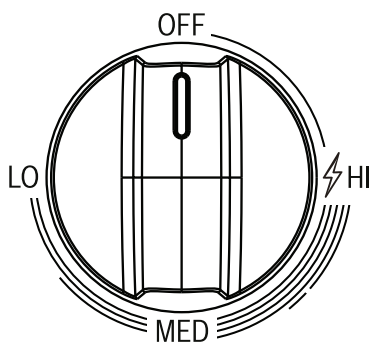


Figure 2: Bouton de réglage de brûleur standard

Les commandes de brûleur standard ont un nombre infini de réglages de chaleur. Ces réglages sont situés sur le bouton du brûleur.

Pour actionner : Sélectionner le bouton de réglage approprié, appuyer dessus et tourner vers la gauche, vers le symbole d'allumage, jusqu'à ce que le brûleur s'allume. Tourner le bouton sur le réglage désiré. Pour éteindre le brûleur, tourner le bouton de réglage dans le sens horaire sur la position **OFF** (arrêt).

Retrait des boutons de réglage de brûleurs

Pour retirer le bouton et l'anneau : Lorsque le brûleur est en position **OFF** (arrêt), soulever délicatement le bouton et tirer. Tirer délicatement sur l'anneau depuis les côtés et soulever.

⚠ AVERTISSEMENT

Pour éviter toute possibilité de choc électrique, ne pas passer la main par l'ouverture de la commande dans le boîtier brut situé sous la table de cuisson.

Pour remettre l'anneau et le bouton en place : Insérer délicatement l'anneau de caoutchouc dans l'ouverture en veillant à ce que la plaque principale soit entièrement encastrée dans le rail sur tout le périmètre de l'anneau. Remettre le bouton de réglage en place en mettant le repère en position 12 h. Presser fermement.

Caractéristiques du four

Ventilateur de refroidissement

Le ventilateur de refroidissement tourne pendant tous les modes de cuisson. On peut l'entendre fonctionner et sentir parfois de l'air chaud s'échapper de l'évent du four. Le ventilateur peut également fonctionner une fois le four éteint.

Ventilateur à convection

Le ventilateur à convection fonctionne pendant tous les modes de cuisson par convection. Lorsque le four est en mode de cuisson par convection, le ventilateur s'arrête automatiquement lorsque la porte est ouverte. Le ventilateur à convection fonctionne pendant le mode autonettoyant, mais pas au commencement du mode.

Remarque : Sur certains modèles, le ventilateur à convection fonctionne également pendant le préchauffage du mode Cuisson.

Sole du four

La sole du four abrite l'élément chauffant inférieur. Ceci permet de protéger l'élément des dommages et des renversements.

Remarque :

Ne pas placer les aliments directement sur la sole du four.

Évent du four

L'évent du four se trouve à l'arrière de la cuisinière. De l'air chaud peut s'échapper de l'évent avant, pendant et après la cuisson. Il est normal de voir de la vapeur s'échapper de l'évent, et de la condensation peut se former à cet endroit. Cette zone peut être chaude pendant l'utilisation du four. Ne pas obstruer l'évent car il est indispensable à la bonne circulation de l'air.

⚠ ATTENTION

Ne pas utiliser de papier aluminium ou de doublure de protection pour revêtir toute partie de l'appareil, et en particulier la sole du four. L'utilisation de ces doublures peut entraîner un risque de choc électrique ou d'incendie.

Arrêt automatique

Le four s'éteindra automatiquement au bout de 24 heures.

Nettoyage automatique

Le four comporte une fonction autonettoyante qui élimine le travail manuel associé au nettoyage de votre four.

Indicateurs et autres fonctions

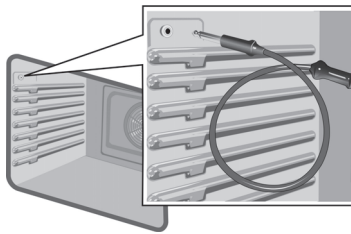
Réglages par défaut - Les modes de cuisson sélectionnent automatiquement la température par défaut. Ceux-ci peuvent être modifiés lorsqu'un mode différent est requis.

Codes numériques E - Ces codes affichent tout problème identifié concernant la cuisinière.

Mode de mise en veille

Le mode de mise en veille signifie que le four est sous tension mais qu'aucun mode de cuisson ou minuterie ne s'exécute.

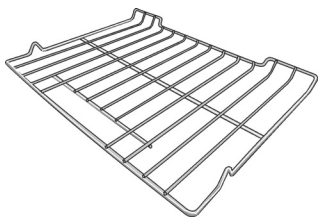
Accessoires



Sonde

La sonde peut être utilisée pour déterminer le niveau de cuisson interne ou la température finale de nombreux aliments, et en particulier les viandes et la volaille.

Ne pas nettoyer dans le four autonettoyant ni mettre au lave-vaisselle.



Grille plate

Utiliser pour la plupart des plats. Il est possible d'utiliser plusieurs grilles avec certains modes de cuisson.

Ne pas nettoyer dans le four autonettoyant.



Grille télescopique (certains modèles) (disponible via eShop)

HEZTR301

Utiliser cette grille pour la cuisson de plats plus lourds afin de faciliter l'insertion des plats dans le four, le contrôle de la cuisson et l'enlèvement des plats du four une fois la cuisson terminée.

Ne pas nettoyer dans le four autonettoyant.



Lèche-frite

(disponible via eShop)

Casserole : n° 00449757

Gril (de dessus) : n° 00449756

Insertion des grilles

⚠ ATTENTION

Pour éviter les brûlures, placer les grilles du four dans la position désirée avant de mettre le four en marche. Toujours utiliser des gants isolants lorsque le four est chaud. Si une grille doit être déplacée lorsque le four est chaud, ne pas laisser les gants isolants entrer en contact avec les éléments chauffants.

En enlevant une grille de la position inférieure du four, faire attention à ne pas toucher la porte du four qui est chaude.

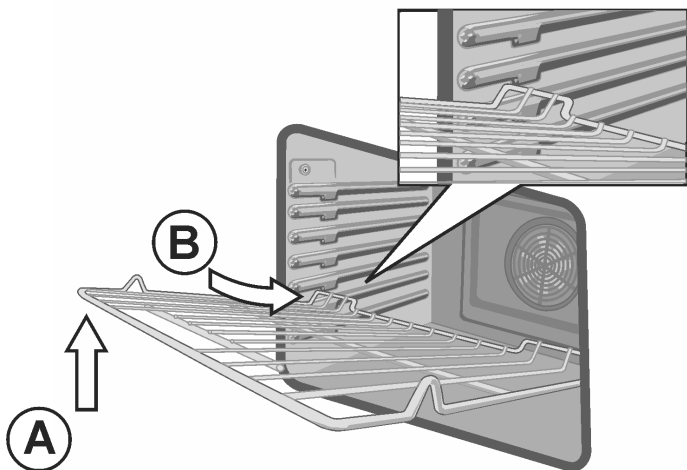
Pour éviter toute possibilité de blessure ou d'endommagement de l'appareil, s'assurer que les grilles sont installées exactement suivant les instructions de montage et non à l'envers ou sens dessus dessous.

Grille plate

Cette grille est conçue avec une butée afin qu'elle ne puisse pas sortir complètement du four et pour éviter qu'elle ne bascule.

Pour insérer la grille plate dans le four :

1. Saisir fermement la grille des deux côtés.
2. Installer la grille (voir illustration).



3. Incliner la grille vers le haut (A) pour permettre à la partie arrière ascendante inclinée de la grille de glisser sous la butée moulée dans la partie avant du guide de grille comme illustré ci-dessus.
4. Lorsque la partie arrière de la grille a dépassé la butée, abaisser la partie avant de la grille pour la mettre à l'horizontale (B) et enfourner la grille complètement à l'intérieur du four.

La grille doit être droite et de niveau, et ne doit pas être de travers.

Pour retirer la grille plate du four :

1. Saisir fermement la grille des deux côtés et tirer vers soi.
2. Lorsque la butée est atteinte, incliner la grille vers le haut de façon à ce que la partie arrière ascendante inclinée de la grille puisse glisser sous la butée. Tirer la grille complètement vers soi pour la sortir complètement du four.

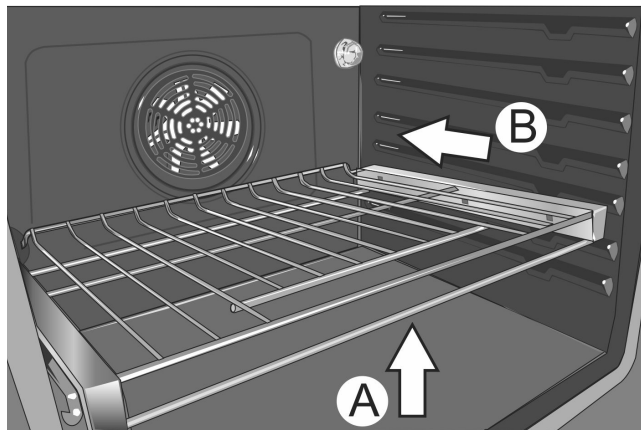
Grille télescopique

Pour insérer la grille télescopique dans le four :

1. Faire glisser la grille de manière régulière jusqu'à ce que l'arrière de la grille soit à environ 2 po (5 cm) de la paroi arrière du four.

2. Incliner la partie avant de la grille vers le haut d'environ 3/4 de po (2 cm) (A) et continuer de l'enfoncer toute entière à l'intérieur du four (B).

Remarque : Éviter de cogner la grille contre la lentille de protection de l'éclairage du four en l'enfonçant dans le four pour la mettre en place.



3. L'arrière de la grille télescopique se met en place en se calant.
4. Tirer la grille vers l'avant pour engager sa partie inférieure sur la partie arrière du guide de positionnement de grille.
5. Abaisser la partie avant de la grille pour terminer sa mise en place sur le guide de grille. La grille doit sembler stable au toucher lorsque correctement positionnée.
6. Faire glisser la partie amovible de la grille télescopique plusieurs fois d'avant en arrière pour vérifier qu'elle peut se déplacer librement et que la partie non amovible de la grille télescopique est bien attachée.

⚠ ATTENTION

Pour éviter toute possibilité de blessure ou d'endommagement de l'appareil, s'assurer que la grille télescopique est installée exactement suivant les instructions de montage et non à l'envers ou sens dessus dessous.

Pour retirer la grille télescopique du four :

1. Soulever la partie avant de la grille télescopique d'environ 1/2 po (1,3 cm) et pousser la grille d'environ 3/4 de po (2 cm) vers le fond. Ceci permet de dégager la grille du guide de positionnement de grille.
2. Soulever la partie arrière de la grille télescopique de manière qu'elle se dégage du guide de positionnement de grille et tirer doucement la grille hors du four.

Remarque : Prendre soin d'éviter de tirer la grille de manière irrégulière car elle aura tendance à se coincer et à buter contre les parois du four.

Avant la première utilisation de l'appareil

- Retirer tous les matériaux d'emballage et les étiquettes de la cuisinière. Retirer les matériaux d'emballage se trouvant à l'intérieur du four et du tiroir.
- Lorsqu'elle est froide, essuyer la table de cuisson avec une éponge humide propre et sécher.
- Il peut y avoir une légère odeur aux premières utilisations. Ceci est normal et disparaîtra.
- Pour obtenir des résultats de cuisson optimaux, il convient d'utiliser des ustensiles de cuisson et des plats allant au four adéquats.
- Lire et comprendre toutes les précautions de sécurité et le Manuel d'utilisation et d'entretien avant toute utilisation.

Fonctionnement - Table de cuisson

Cette section explique le principe de fonctionnement de la table de cuisson. Voir « *Tirer le meilleur parti de votre table de cuisson* » pour obtenir des recommandations sur la façon d'améliorer les résultats de votre table de cuisson.

À propos de la table de cuisson

Utiliser la table de cuisson pour les opérations de cuisson en surface, et notamment pour faire bouillir, frire, mijoter, cuire à la vapeur et sauter les aliments.

⚠ AVERTISSEMENT

Pour éviter tout risque de lésion corporelle, lorsque le cycle d'autonettoyage est en cours d'exécution, la table de cuisson ne fonctionnera pas.

Lorsque vous utilisez la table de cuisson et que le four est programmé sur Nettoyage Auto, le message « Éteignez la table de cuisson » est indiqué sur l'affichage. Le cycle d'autonettoyage ne s'active pas. Éteindre la cuisinière pour utiliser la fonction d'autonettoyage.

La table de cuisson ne peut pas être utilisée lorsque la fonction d'autonettoyage est en cours d'exécution dans le four.

⚠ AVERTISSEMENT

L'incinération de combustibles gazeux de cuisson peut générer de faibles quantités de monoxyde de carbone, de benzène et de formaldéhyde. Pour limiter les risques d'exposition à ces substances, les brûleurs doivent être réglés par un installateur ou un organisme certifié pour assurer une bonne combustion. Assurer une ventilation adéquate en ouvrant une fenêtre ou utiliser un ventilateur ou une hotte aspirante en cuisinant au gaz. Toujours faire fonctionner l'appareil en suivant les instructions de ce manuel.

La table de cuisson comporte un bouton de réglage pour chaque brûleur. Presser et tourner les boutons vers le réglage de cuisson souhaité.

Fonctionnement normal (Allumage/rallumage électronique)

La table de cuisson est dotée d'allumeurs électroniques pour allumer les brûleurs. Il n'y a pas de veilleuse. Chaque brûleur possède son propre allumeur. Si la flamme d'un brûleur s'éteint pendant l'utilisation, ce brûleur se rallume automatiquement.

⚠ ATTENTION

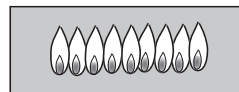
Pour éviter d'éventuelles blessures ou l'endommagement de l'appareil, veillez à ce que les grilles soient placées exactement comme l'indiquent les instructions et non à l'envers ou sens dessus dessous.

Caractéristiques typiques d'une flamme

La flamme d'un brûleur doit être bleue et stable, sans pointe jaune, ni bruit excessif ou vacillement. Elle doit être présente tout autour du capuchon du brûleur.

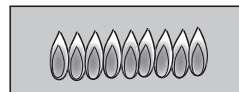
Flammes jaunes :

Réglage supplémentaire requis.



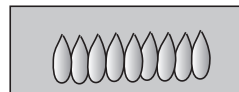
Pointes jaunes au niveau des cônes extérieurs :

Normal pour du gaz PL.



Douces flammes bleues :

Normal pour du gaz naturel.



Si la flamme est entièrement jaune ou presque, vérifier que le régulateur est réglé pour le combustible approprié. Après le réglage, refaire le test.

Il est normal que la flamme présente des raies jaunes pendant la mise en marche initiale. Laisser l'appareil

Figure 3: Vérification des caractéristiques de la flamme

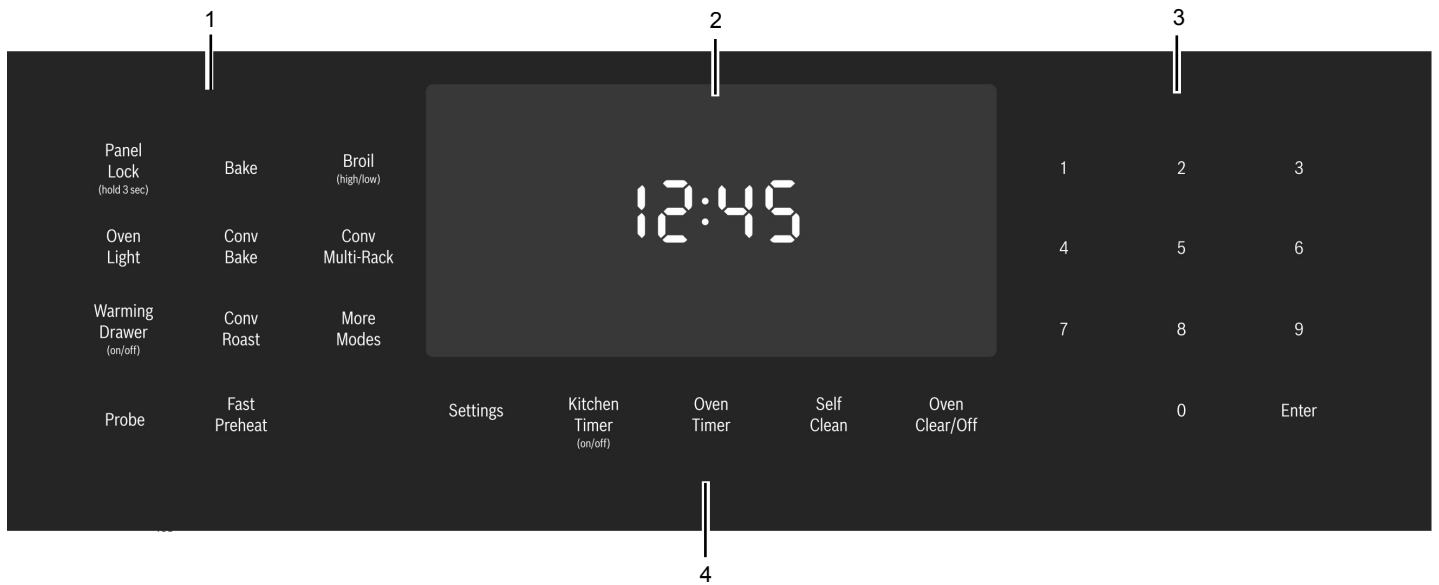
La présence d'impuretés à l'intérieur de la conduite de gaz peut donner lieu à une flamme orangée durant l'utilisation initiale. Ceci tend à disparaître au fur et à mesure de l'utilisation. Vérifier les brûleurs afin de s'assurer que les orifices de combustion ne sont pas obstrués. Si les orifices sont obstrués, voir « *Aide sans assistance* », page 45.

REMARQUE :

Un éclatement peut se faire entendre lorsque le brûleur est éteint manuellement. Ce bruit peut être plus fort avec le gaz PL qu'avec le gaz naturel. Ceci est normal.

Fonctionnement - Four

Panneau de commande du four



Panneau de commande du four de la série 800

- 1 Touches à effleurement de sélection des modes
- 2 Écran

- 3 Touches à effleurement du pavé numérique
- 4 Touches à effleurement de fonctions spéciales

Touches à effleurement

Remarque : Une légère pression sur les touches suffit pour les activer.

Descriptions des touches à effleurement





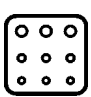
Panel Lock (hold 3 sec)	Active ou désactive le mode Verrouiller les touches.	Settings	Permet d'accéder aux réglages de l'utilisateur pour personnaliser l'écran de base, les langues et d'autres fonctions. Utiliser également pour régler l'horloge.
Oven Light	Allume ou éteint l'éclairage du four.	Probe	Règle la température cible de la sonde. La sonde permet de contrôler les températures internes de la viande pendant la cuisson.
Kitchen Timer (on/off)	Active et désactive la (les) minuterie(s) de cuisine. Appuyer pour modifier une minuterie.	Fast Preheat	Active l'option Préchauffage rapide.
Oven Timer	Appuyer pour modifier la minuterie du four pour le four. Éteint le four à la fin du temps de cuisson programmé.		

Self Clean	Active le mode Nettoyage Auto.
More Modes	Permet d'accéder aux modes de cuisson/chauffage qui ne comportent pas de touche à effleurement à accès direct.
Warming Drawer (on/off)	Allume ou éteint le tiroir-réchaud.

Modes supplémentaires

Des modes supplémentaires sont disponibles en appuyant sur la touche **More Modes** (Modes supplémentaires). Ces modes comprennent Convection Broil, Warm, Pizza, Proof et Roast (Gril Convection, Maintien au chaud, Pizza, Apprêt et Rôtissage). Ces modes sont traités à la section « *Tirer le meilleur parti de votre appareil* » plus loin dans ce manuel.

Symboles de l'écran

	Verrou de porte - S'affiche lorsque la porte du four est verrouillée.
	Symbole de préchauffage rapide - S'affiche lorsque le préchauffage rapide est actif.
	Symbole de sonde - Apparaît lorsqu'une sonde est détectée.
	Verrou Panneau - S'affiche lorsque le panneau de commande est verrouillé.
	Nettoyage Auto - S'affiche lorsque le nettoyage automatique est activé.

Avant la première utilisation du four

- Avant l'utilisation, le four doit être correctement installé par un technicien qualifié.
- Retirer tous les matériaux d'emballage à l'intérieur et à l'extérieur du four.
- Lorsque froid, essuyer le four à l'aide d'un chiffon propre et humide et sécher.
- Il peut y avoir une légère odeur aux premières utilisations. Ceci est normal et disparaîtra.
- Pour obtenir des résultats de cuisson optimaux, utiliser des plats de cuisson au four adéquats.
- Lire et comprendre toutes les précautions de sécurité et le Manuel d'utilisation et d'entretien avant toute utilisation.

Fonctionnement

À propos de l'appareil

Votre nouveau four réunit des résultats de cuisson supérieurs et un fonctionnement tout simple.

La conception du four a été optimisée pour améliorer la distribution de la chaleur dans la cavité du four. Il en résulte un brunissage uniforme, une réduction des temps de cuisson et une diminution des coûts énergétiques.

Grâce au mode Nettoyage Auto (Self Clean), les heures passées à récuser les coins les plus inaccessibles du four sont aujourd'hui révolues. Le four carbonise les salissures simplement et en toute facilité. Lorsque l'autonettoyage est terminé, il vous suffit d'essuyer les cendres résiduelles quand le four est assez froid pour toucher.

Le lettrage clair et lisible des touches à effleurement facilite grandement l'utilisation du four. Ce manuel contient toutes les instructions relatives au fonctionnement du four.

Veuillez nous appeler pour toute question. Notre numéro de téléphone se trouve au début de ce manuel. Vos commentaires et suggestions sont les bienvenus!

Fonctionnalités de base

Réglage de l'horloge

Le four inclut des fonctions temporelles qui nécessitent que l'heure actuelle soit réglée. Par conséquent, il est important de régler l'horloge avant de commencer à utiliser le four. Pour accéder au mode de réglage de l'horloge, le four ne doit pas être en mode de cuisson.

Pour régler l'horloge :

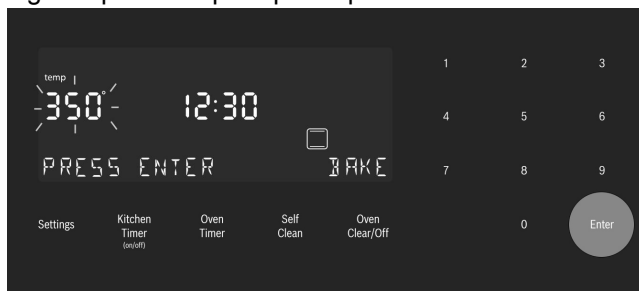
1. Le four doit être en mode Veille (le four est sous tension, mais aucun mode de cuisson ni minuterie n'est en fonctionnement).
2. Pour accéder au mode de réglage de l'horloge : Appuyer sur la touche à effleurement **Settings** (Réglages). L'écran indique « SET CLOCK » (Régler l'horloge). Appuyer sur **Enter** pour modifier l'horloge.
3. Utiliser le pavé numérique pour saisir l'heure souhaitée. Chaque nombre correspondant à la touche enfoncée est affiché sur la droite ce qui a pour effet de déplacer les chiffres précédemment saisis sur la gauche. Pour régler l'heure à « 12H45 » (après-midi), appuyer sur 1, 2, 4, 5.
4. Après avoir saisi l'heure souhaitée, valider l'heure en appuyant sur **Enter**.
L'horloge est désormais réglée et fonctionne.

Réglage du mode de cuisson et de la température

Il existe deux méthodes différentes de réglage du mode de cuisson et de la température.

Pour régler le mode de cuisson en premier, puis la température :

1. Appuyer sur la touche à effleurement du mode de cuisson souhaité. Le mode de cuisson et la température par défaut s'affichent. La température clignote pour indiquer qu'elle peut être modifiée.

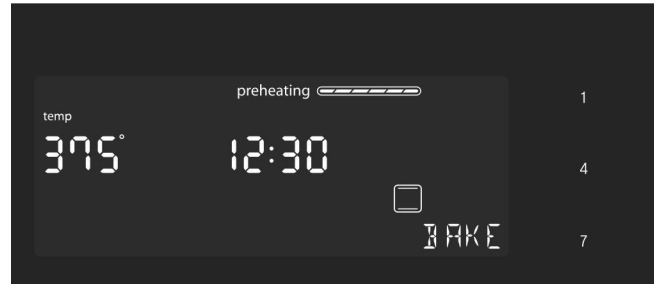


2. Appuyer sur **Enter** pour démarrer le mode en utilisant la température par défaut.

3. Pour modifier la température, saisir la nouvelle température à l'aide des touches à effleurement du pavé numérique. 375 °F (190 °C) est la température utilisée pour cet exemple. Appuyer sur **Enter** pour valider la température mise à jour.

Remarque : La nouvelle température est automatiquement programmée au bout de 10 secondes si la touche **Enter** n'est pas activée.

4. Le préchauffage démarre.



Remarque : Si la température saisie est en dehors de la plage autorisée pour le mode de cuisson, une tonalité d'erreur retentit et la partie inférieure de l'écran affiche le message « TEMP NON AUTORISÉE ».

Pour régler la température en premier, puis le mode de cuisson :

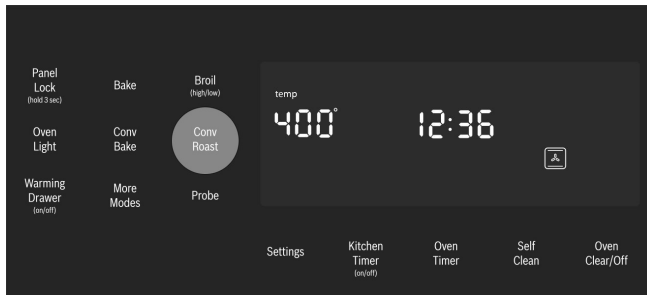
(ne concerne pas les modes Cuisson Gril ou Cuisson Gril Convection)

1. Appuyer sur les touches numériques pour saisir le réglage de température souhaité. La température saisie est affichée en regard de l'heure du jour.
2. Sélectionner un mode de cuisson compatible avec la température saisie. Si aucun mode de cuisson n'est sélectionné dans un délai de 5 secondes après le réglage de la température, une tonalité d'erreur retentit et le message « SÉLECTIONNER MODE » s'affiche et clignote.



- Appuyer sur la touche à effleurement de sélection du mode pour sélectionner un mode de cuisson.

Le nouveau mode et la nouvelle température sont automatiquement programmés au bout de 10 secondes si l'on n'appuie pas sur la touche **Enter**.



Remarque : Si la température saisie est en dehors de la plage autorisée pour le mode de cuisson sélectionné, une tonalité d'erreur retentit et la partie inférieure de l'écran affiche le message « TEMP NON AUTORISÉE ».

Pour modifier la température du four :

- Appuyer sur la touche à effleurement du mode de cuisson.
- La température actuelle clignote. Utiliser les touches à effleurement du pavé numérique pour entrer une nouvelle température. Appuyer sur **Enter**.

Limitation de la durée de chauffage

La durée maximale de chauffage est définie. Si vous oubliez d'éteindre le four, il s'éteint automatiquement après une période de temps déterminée.

La durée maximale pour le mode Shabbat est de 74 heures; pour tous les autres modes de cuisson, la durée maximale autorisée est de 24 heures.

Température en °F	Température en °C	Temps maximum autorisé sans activité
100–200	30–120	24 heures
201–550	121–300	12 heures

Minuterie

Votre nouveau four est équipé de deux types de minuteries.

Minuterie de cuisine (Kitchen Timer) - Minuterie à compte à rebours qui n'a aucune incidence sur le chauffage du four. La minuterie de cuisine est utilisée pour

les besoins de chronométrage des tâches ménagères d'ordre général.

Minuterie du four (Oven Timer) - Minuterie à compte à rebours qui, lorsqu'elle atteint 00:00, éteint le four et, par conséquent, le mode en cours. La minuterie du four est utilisée pour régler la durée pendant laquelle un mode d'activation doit fonctionner (non disponible pour les modes Cuisson Gril ou Cuisson Gril Convection).

Pour régler la minuterie de cuisine :

(pour les besoins de chronométrage des tâches ménagères d'ordre général)

- Appuyer sur **Kitchen Timer** (Minuterie de cuisine). 0:00 s'affiche et clignote sur l'écran. Saisir la valeur de minuterie souhaitée selon le format H/MM à l'aide des touches à effleurement du pavé numérique.



- Appuyer sur **Enter**. La minuterie de cuisine démarre.
- Lorsque le décompte de la minuterie de cuisine parvient à zéro, une tonalité d'alarme retentit toutes les 10 secondes, ce pendant 2 minutes, et le message « FIN MINUTERIE » s'affiche.

Annuler la minuterie de cuisine - en appuyant sur le bouton **Kitchen Timer**.

Remarque

- La minuterie n'est pas modifiée lorsque d'autres paramètres le sont.

Pour modifier la minuterie de cuisine :

- Appuyer sur le bouton **Kitchen Timer**.
- La durée en cours clignote et peut être modifiée.

Pour régler la minuterie du four :

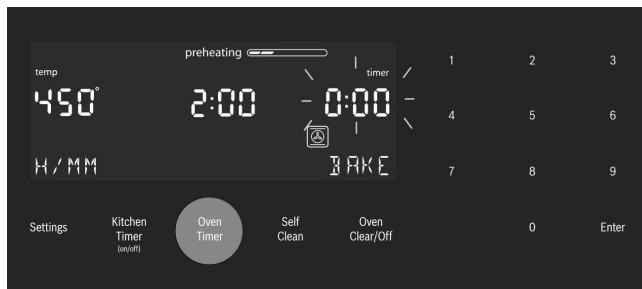
(réglage de la minuterie pour éteindre le four)

Remarque : La minuterie d'un four ne peut pas fonctionner pendant le cycle d'autonettoyage (Nettoyage Auto).

- Appuyer sur la touche à effleurement **Oven Timer** (Minuterie du four).

2. Sélectionner le mode, appuyer sur **Enter**.

0:00 s'affiche et clignote sur l'écran. Saisir la valeur de minuterie souhaitée selon le format H/MM à l'aide des touches du pavé numérique.



Appuyer sur la touche à effleurement **Enter**. La minuterie du four lance le compte à rebours jusqu'à 0:00.



3. Lorsque la minuterie atteint :00, le mode de cuisson s'arrête et le message « MINUTERIE DU FOUR TERMINÉE » s'affiche. L'alarme du four retentit toutes les 10 secondes pendant 2 minutes.

Modifier la minuterie du four

1. Si la minuterie du four fonctionne et que la durée restante doit être modifiée, saisir le mode de la minuterie du four en appuyant sur la touche à effleurement **Oven Timer** (Minuterie du four).
2. La température clignote indiquant qu'elle peut être modifiée. Saisir une nouvelle température ou appuyer sur **Enter** pour n'effectuer aucun changement.
3. La valeur de la minuterie clignote, indiquant qu'elle peut être modifiée. Saisir la nouvelle durée et redémarrer la minuterie en appuyant sur la touche à effleurement **Enter**.


La minuterie du four peut être désactivée en saisissant 0:00.

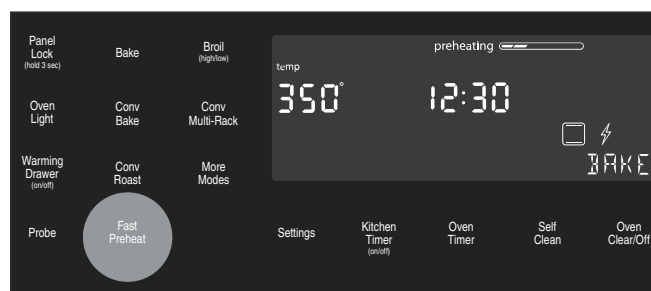
Fast Preheat (Préchauffage rapide)

La fonction de préchauffage rapide permet de faire chauffer le four plus rapidement que le préchauffage standard. Elle est disponible pour les modes Bake, Convection Multi-Rack, Convection Bake, Roast, Convection Roast et Pizza (Cuisson, Convection Multi-Rack, Cuisson par Convection, Rôtissage Convection, Rôtissage et Pizza) (Rôtissage se trouve dans le menu « Modes supplémentaires »). Si Fast Preheat (Préchauffage Rapide) n'est pas autorisé pour le mode de cuisson sélectionné, une tonalité d'erreur retentit. Le préchauffage rapide n'est pas disponible pour les modes Broil, Convection Broil, Proof ou Warm (Cuisson Gril, Cuisson Gril Convection, Apprêt Pâte ou Maintien au Chaud).

Pour régler le Préchauffage rapide :

1. Appuyer sur **Fast Preheat** (Préchauffage rapide).

L'icône de préchauffage rapide  apparaît sur l'écran juste au-dessus du nom du mode.



2. Appuyer sur **Enter**.

Pour éteindre le préchauffage rapide, appuyer de nouveau sur **Fast Preheat**.

Fonctions spéciales

L'appareil comporte des fonctions spéciales qui vous offrent des avantages supplémentaires en cuisinant.

Pour en savoir davantage sur ces fonctions spéciales, consulter les sections suivantes :

- Sonde
- Mode Shabbat
- Verrouiller les touches

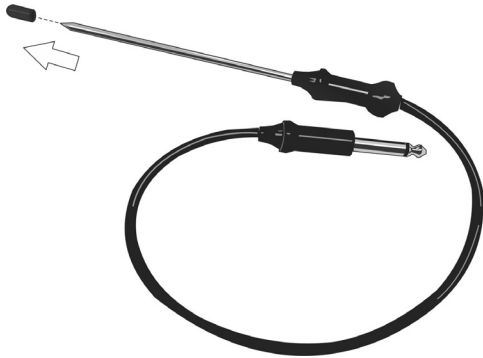
Sonde (Probe)

La sonde mesure la température interne de l'aliment. La sonde peut être utilisée pour les modes Bake (Cuisson), Roast (Rôtissage) et tous les modes de Cuisson par Convection sauf Convection Broil (Cuisson Gril Convection).

Retirer le capuchon de sécurité avant d'utiliser la sonde

Certains modèles sont équipés d'une sonde de température qui est utilisée pour détecter la température interne des viandes pendant la cuisson.

La sonde est expédiée avec un capuchon noir en plastique recouvrant l'extrémité pointue en métal. Le capuchon doit être retiré avant usage.



Insertion de la sonde :

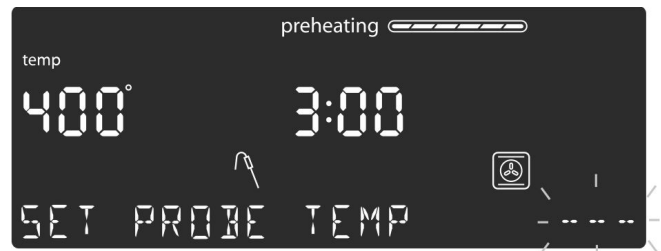
Introduire la pointe de la sonde dans la viande au milieu et dans la partie la plus épaisse de la pièce, ou dans la poitrine pour les volailles. S'assurer que la sonde ne touche pas au gras, à l'os ou à des parties du four ou du plat.

Remarque : Les aliments doivent être complètement décongelés avant d'insérer la sonde dans la viande.

Utilisation de la sonde :

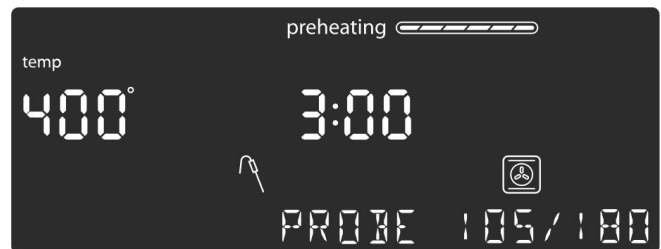
1. Introduire la sonde dans la viande comme décrit ci-dessus. Le symbole de sonde est affiché.
2. Brancher la sonde au four. Si la sonde n'est pas connectée au four avant de démarrer le mode Sonde, une tonalité d'erreur retentit et le message « INSÉRER SONDE » s'affiche.
3. Régler le mode de cuisson et la température.
4. L'écran Régler temp. sonde est affiché. Une invite d'entrée de trois chiffres « - - - » clignote dans le coin inférieur droit. Utiliser le pavé numérique pour saisir la température de sonde souhaitée et appuyer sur **Enter** sur le pavé numérique.

Remarque : La température de sonde minimum pouvant être définie est 100 °F (40 °C) et la température maximum est 200 °F (100 °C). Si la température de sonde saisie est en dehors de cette plage, une erreur s'affiche.



5. La température actuelle de la sonde et la température cible sont affichées au format « 105/180 » dans le coin inférieur droit de l'écran. La température réelle affichera < 80 jusqu'à ce que la température de l'aliment atteigne 80 °F.

La température de sonde affichée est mise à jour par incréments de 5° au cours du procédé de cuisson.



6. Lorsque la température de la sonde atteint la température définie, le mode de cuisson est désactivé. L'heure en cours est affichée et le message « CUISSON TERMINÉE » clignote au bas de l'écran. Une tonalité d'alarme retentit toutes les 10 secondes pendant 2 minutes.



Cet écran reste dans l'affichage jusqu'à ce qu'on l'efface en appuyant sur la touche à effleurement **Oven Clear/Off** ou jusqu'à ce que la sonde soit retirée. Ensuite, l'écran repasse en mode Veille.

Remarque :

- La sonde n'est pas disponible lorsqu'une minuterie de cuisson a été réglée.
- Pour modifier la température de la sonde, appuyer sur la touche à effleurement **Probe** (Sonde). L'écran affiche le mode d'édition de la température de sonde et affiche le message « RÉGLER TEMP. SONDE ». Saisir la nouvelle température de la sonde et appuyer sur **Enter** pour accepter la nouvelle valeur.
- Ne pas ranger la sonde dans le four.
- Toujours saisir la sonde par la poignée pour l'insérer et la retirer.

- Toujours utiliser une poignée isolante pour retirer la sonde car elle est chaude.
- Étant donné que la viande continue de cuire après avoir été retirée du four, régler la température (sonde) interne sur 5 à 10 degrés au dessous de la température interne finale désirée (exception : la volaille).

Mode Shabbat

Le mode Shabbat permet aux personnes de religions spécifiques d'utiliser leur four le jour du Shabbat.

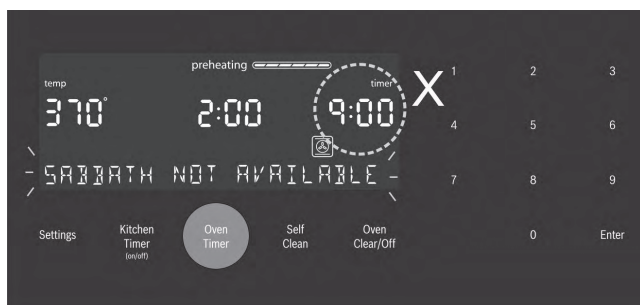
Le mode Shabbat peut être saisi en mode Bake (Cuisson) uniquement. La température de cuisson doit être dans la plage de température du mode Shabbat, soit 100° F à 450° F (37,8 °C à 232,2 °C).

Si l'éclairage du four est allumé pendant la configuration, il le restera tout au long du fonctionnement du mode Shabbat. Si l'éclairage du four est éteint pendant la configuration, il le restera tout au long du fonctionnement du mode Shabbat.

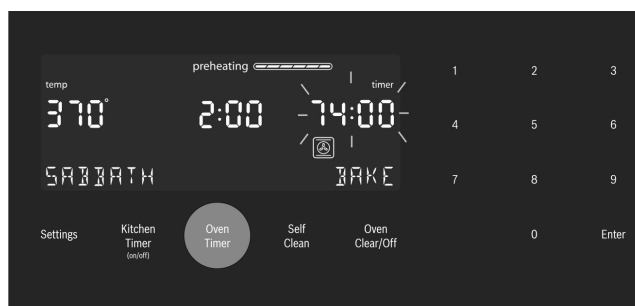
Pour régler le mode Shabbat :

Aucune minuterie de cuisine ou de four ne doit fonctionner pendant la saisie du mode Shabbat.

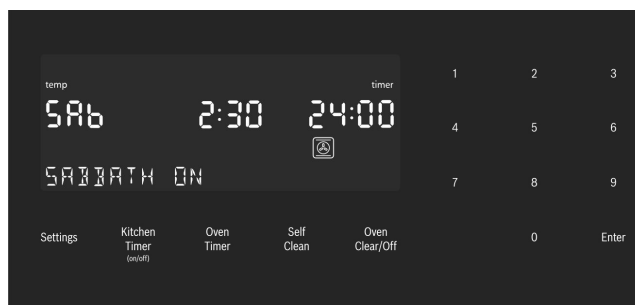
1. Débuter une opération de cuisson. Alors que le mode **Bake** (Cuisson) est activé, appuyer sur la touche à effleurement **Oven Timer** (Minuterie du four) et maintenir cette touche enfoncée pendant cinq secondes. Si une minuterie fonctionne pendant la tentative de démarrage du mode Shabbat, le message suivant clignote sur l'écran : « SHABBAT NON DISPONIBLE ».



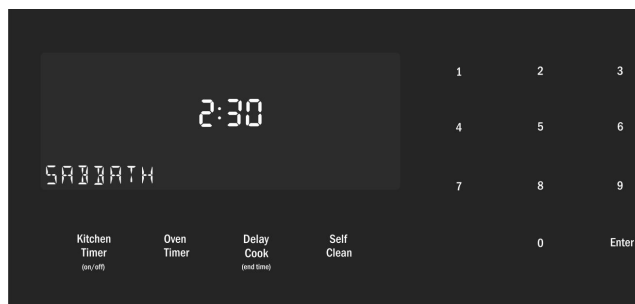
Si aucune minuterie n'est activée, les réglages du mode Shabbat apparaissent à l'écran. La minuterie du mode Shabbat clignote indiquant que la valeur peut être modifiée. La valeur par défaut est 74:00 (le nombre d'heures maximum pour lequel le mode Shabbat peut être réglé.)



2. Appuyer sur **Enter** pour accepter le nombre d'heures par défaut (74:00) et démarrer le mode Shabbat. Ou bien, utiliser le pavé numérique pour saisir la valeur de minuterie du mode Shabbat souhaitée. Il est possible de saisir des valeurs de minuterie comprises entre 0:01 et 74:00. **Remarque** : Si aucune modification n'est effectuée dans un délai de 10 secondes, le mode Shabbat démarre automatiquement.
3. Une fois le mode Shabbat lancé, l'écran se modifie et affiche le message « SHABBAT ACTIVÉ ».



4. Lorsque le compte à rebours du mode Shabbat atteint zéro, le four affiche l'heure en cours et le message « SHABBAT ». Aucune modification n'est possible à ce stade. Pour terminer le mode Shabbat et retourner au mode de fonctionnement normal, appuyer sur la touche à effleurement **Oven Clear/Off** (Four Effacer/ Désactiver).



Remarque :

- En mode Shabbat, la plage de température est comprise entre 100 °F et 450 °F (37,8 °C à 232,2 °C).
- La minuterie du mode Shabbat peut être réglée entre 0:01 et 74 heures.

Pour modifier la température du mode Shabbat :

Lors de la modification de la température du mode Shabbat, aucun feedback n'est donné par le panneau de commande. Si la température réglée n'est pas valide, le four repassera par défaut à la température de fonctionnement antérieure.

1. Appuyer sur la touche à effleurement **Bake** (Cuisson).
2. Saisir la nouvelle température de consigne souhaitée.
3. Appuyer sur **Enter**.

Le four ajustera sa température de consigne après un délai aléatoire.

Verrouiller les touches

Permet à l'utilisateur de désactiver tous les boutons du panneau de commande. Verrou Panneau peut être activé uniquement en mode Veille.

1. Pour activer le Verrou Panneau, appuyer et maintenir enfoncée la touche à effleurement **Panel Lock** (Verrouiller les touches) pendant 3 secondes (en mode Veille).
2. Pour désactiver cette fonction, appuyer et maintenir enfoncée la touche à effleurement **Panel Lock** pendant 3 secondes. L'écran retourne en mode Veille.

Réglages

Le menu de configuration du four est utilisé pour personnaliser certains réglages du four.

Le four doit être en mode Veille (aucun mode de cuisson ou minuterie ne doit s'exécuter) afin de pouvoir accéder au menu de Configuration.

Pour modifier les éléments du menu Réglages :

1. Appuyer sur la touche à effleurement **Settings** (Réglages).
2. Le premier élément de configuration est affiché. L'écran indique « SET CLOCK » (Régler l'horloge). Appuyer de nouveau sur **Settings** pour accéder au menu des réglages.
3. Pour afficher un élément de configuration différent, appuyer sur le numéro correspondant à ce réglage (voir le tableau suivant ou appuyer sur la touche à effleurement **Settings** pour faire défiler les options disponibles).
4. Pour modifier la valeur du réglage affiché, appuyer sur la touche à effleurement **Settings** pour saisir le mode d'édition. Utiliser les touches du pavé numérique pour modifier la valeur du réglage. La valeur de réglage correspondante est indiquée dans le tableau suivant.

Pour régler la température compensée, lorsque l'élément est en mode d'édition, appuyer d'abord sur « - » ou sur « + », puis sur la valeur numérique compensée.

La nouvelle valeur est automatiquement acceptée alors que l'écran repasse du mode d'édition au mode d'affichage.

Pour quitter le menu Réglages :

Appuyer sur la touche à effleurement **Oven Clear/Off** (Four Effacer/Désactiver).

Température compensée du four

Le four est calibré afin de fournir des résultats précis. Cette fonctionnalité est utile si vous préférez vos aliments plus ou moins dorés. Lorsqu'une température compensée est sélectionnée, la température réelle du four est augmentée ou diminuée de cette valeur.

Pour régler une valeur compensée, le four doit être éteint. Pour paramétrer, se reporter à « *Température compensée* » à la section « *Options du menu Réglages* ».

Options du menu Réglages

	Élément de menu	Description	Valeur par défaut
1	Mode de température :	Fahrenheit (°F) ou Celsius (°C)	°F
2	Luminosité	Élevé, Moyen, Bas	MOY
3	Volume	Élevé, Moyen, Bas	Élevé
4	Mode Horloge	Mode d'affichage 12 heures ou 24 heures. 12HR, 24HR.	12HR
5	Conversion Convection Auto	Diminue la température du four de 25 °F (14 °C) pour les modes Cuisson par Convection et Convection Multi-Rack. Activé, Désactivé.	DÉSACTIVÉ
6	Tonalité des boutons	Une tonalité retentit lorsqu'on appuie sur une touche à effleurement. Activé, Désactivé.	ACTIVÉ
7	Affichage de l'horloge en veille	L'horloge s'affiche quand aucun mode de cuisson ne s'exécute ou si la minuterie est en marche. ACTIVÉ, DÉSACTIVÉ.	ACTIVÉ
8	Langue	Paramètre de langue : Anglais, (EN), Français, (FR)	AN

	Élément de menu	Description	Valeur par défaut
9	Temp. Compensée	Règle la valeur de la température compensée pour Cuisson, Cuisson par Convection, Rôtissage, Rôtissage Convection et Convection Multi-Rack. Lorsqu'une valeur compensée est saisie, la température réelle du four est augmentée ou diminuée de cette valeur. Cette fonction est utile si les aliments sont systématiquement trop ou pas assez dorés.	0
	Remarque :	Les températures compensées doivent toujours être saisies sous forme de 2 chiffres. Exemple : Pour 5 °F, saisir 05.	
		La plage de modification de la compensation est de +/- 35 °F (+/- 19 °C) par incréments de 1°. La valeur par défaut est 0.	

Fonctionnement - Tiroir-réchaud

Cette section explique le principe de fonctionnement du tiroir-réchaud. Voir « *Tirer le meilleur parti de votre tiroir-réchaud* », page 34, pour des recommandations sur la façon d'améliorer les résultats de votre tiroir-réchaud.

À propos du tiroir-réchaud

Le tiroir-réchaud permet de conserver les aliments cuits et chauds à une température de service. Les réglages du tiroir-réchaud sont les suivants : Bas (Low), Moyen (Medium), et Élevé (High).

Spécifications du tiroir réchaud

Intérieur du tiroir : 25 po (63,5 cm) L x 17 po (43,1 cm) P x 5 po (12,7 cm) H

Tailles des ustensiles de cuisson :

- 2 plats en Pyrex d'une contenance de 28,39 dl chacun, mesurant 9 po (22,8 cm) x 13 po (33,02 cm), côte à côte.
- 2 plats en Pyrex d'une contenance de 37,85 dl chacun, mesurant 9 1/2 po (24,1 cm) x 15 po (38,1 cm), côte à côte.
- 4 assiettes de 10 1/2 po (26,6 cm), seules ou empilées
- 3 assiettes de 11 po (27,9 cm), seules ou empilées

Fonctionnement

▲ ATTENTION

Pour assurer la sécurité alimentaire, respecter les règles d'hygiène suivantes :

- NE PAS utiliser un tiroir-réchaud pour faire chauffer des aliments froids (exception : le tiroir-réchaud peut être utilisé en toute sécurité pour redonner leur croquant aux biscuits salés, aux croustilles ou aux céréales sèches et pour faire chauffer les assiettes).
- S'assurer de maintenir les aliments à la température adéquate. L'USDA recommande de maintenir les aliments chauds à 140 °F (60 °C) ou plus.
- NE PAS maintenir des aliments au chaud pendant plus d'une heure.
- Les contenants en plastique, le film étirable ou le papier aluminium peuvent se fondre lorsqu'ils sont en contact direct avec le tiroir ou un ustensile chaud. S'ils se fondent dans le tiroir, ils peuvent être impossibles à nettoyer.

Préchauffage

Pour de meilleurs résultats, préchauffer le tiroir-réchaud lors du maintien au chaud de tout aliment.

Durées de préchauffage :

- Bas 10 minutes
- Moyen 15 minutes
- Élevé 20 minutes

Allumer et éteindre le tiroir-réchaud

1. Appuyer sur la touche à effleurement **Warming Drawer** (tiroir-réchaud).
2. TIROIR-RÉCHAUD sera affiché, accompagné du réglage par défaut « MED » (Moyen). L'icône ambre du tiroir-réchaud est affichée sous l'horloge.
3. Pour accepter le réglage « MED », appuyer sur la touche à effleurement **Enter** sur le pavé numérique. Le réglage est accepté et l'icône du tiroir-réchaud reste allumée. Si la touche **Enter** n'est pas pressée, le réglage du tiroir-réchaud n'est pas accepté et celui-ci s'éteint.
4. Pour modifier le réglage, lorsque « MED » est affiché, appuyer à nouveau sur la touche du tiroir-réchaud. Le réglage passe sur « HIGH » (Élevé). Appuyer de nouveau sur la touche à effleurement du tiroir-réchaud pour faire passer le réglage sur « LOW » (Bas). Pour accepter un réglage, appuyer sur la touche **Enter** sur le pavé numérique. Le réglage affiché sera accepté et l'icône du tiroir-réchaud est allumée sous l'horloge, indiquant que le tiroir-réchaud est activé.
5. Pour éteindre le tiroir-réchaud, appuyer sur la touche à effleurement correspondante et celui-ci s'éteindra. L'icône du tiroir-réchaud ne sera plus visible sous l'horloge.

Maintien au chaud des bols et assiettes vides

- Utiliser uniquement des plats résistants à la chaleur.
- Maintenir au chaud à une température peu élevée qui convient à un récipient de cuisson.
- Vérifier la température du plat pendant la durée de maintien au chaud.
- Disposer les assiettes ou les plats vides dans un tiroir-réchaud froid. Ne pas préchauffer le tiroir avant d'y mettre les plats.

Tirer le meilleur parti de votre table de cuisson

Guide de cuisson destiné à la table de cuisson

Faire bouillir de l'eau

Le temps de mise à ébullition varie considérablement en fonction des conditions ambiantes. Essayez les conseils suivants pour réduire le temps d'ébullition :

- Couvrir les casseroles d'un couvercle.
- Utiliser une casserole dont les dimensions correspondent à la quantité d'eau et à la taille de l'élément chauffant.
- Sélectionner une casserole à fond plat (Pour des détails, voir le « *Guide de sélection des ustensiles de cuisson* » dans la colonne suivante).
- Choisir une casserole moyennement lourde (plutôt que lourde).
- Veiller à placer la casserole de telle manière que le fond soit complètement en contact avec la grille du brûleur.
- Verser dans la casserole de l'eau déjà chaude.
- Faire bouillir la quantité d'eau la plus petite possible. Les volumes plus réduits bouillent plus rapidement que les volumes plus importants.

Réglages recommandés

Utiliser ce tableau comme guide de réglage de la chaleur. Une plage de réglages de chaleur est donnée car le réglage réel dépend des éléments suivants :

- le type et la qualité de la casserole (Voir le « *Guide de sélection des ustensiles de cuisson* »),
- le type, la quantité et la température des aliments,
- l'élément utilisé et
- les préférences du cuisinier/de la cuisinière.

Usages	Réglages de chaleur
Porter l'eau à ébullition	Élevé
Frire, sauter, dorer la viande, friture en bain	Vif-moyen

Usages	Réglages de chaleur
La plupart des opérations de friture, les œufs, les pancakes, ébullition lente	À point
Mijotage, finition de la cuisson des aliments, aliments couverts, cuisson à la vapeur	Bas-moyen
Faire fondre le beurre et le chocolat	Bas

Guide de sélection des ustensiles de cuisson

Caractéristiques des ustensiles de cuisson




- Les fonds en aluminium ou en cuivre conduisent la chaleur uniformément.
- L'acier, s'il n'est pas mélangé à d'autres métaux, donne lieu à une cuisson inégale.
- La fonte absorbe la chaleur lentement et donne une cuisson plus uniforme à feu bas à moyen.
- Les fonds plats lourds offrent une chaleur uniforme et de la stabilité.
- NE PAS UTILISER d'ustensiles minces, voilés, cabossés ou à nervures car ils diffusent la chaleur de manière inégale.

Couvercles qui ferment bien – Un couvercle permet de diminuer la durée de cuisson en retenant la chaleur dans la marmite.

Conseils relatifs à la batterie de cuisine

- Éviter l'emploi de marmites et de casseroles dont les fonds arrondis (concaves ou convexes) sont voilés ou bosselés.
- S'assurer que le fond de la marmite ou de la casserole utilisée est propre et sec.
- Utiliser des marmites et des casseroles à fonds métalliques épais et lisses.

Ustensiles spéciaux

<p>Diamètre du fond de l'ustensile de cuisson</p> <ul style="list-style-type: none">• La flamme doit être de la même taille ou plus petite que le fond de l'ustensile. Ne pas utiliser d'ustensile plus petit pour cuisiner à feu vif car les flammes peuvent lécher les bords de l'ustensile.• Les ustensiles qui occupent deux brûleurs doivent être placés d'avant en arrière et d'un côté à l'autre.• Pour obtenir les meilleurs résultats de cuisson, les ustensiles de grande taille ne doivent pas dépasser les rebords des grilles.	
<p>Utiliser des ustensiles équilibrés</p> <ul style="list-style-type: none">• L'équilibre est crucial pour la stabilité et la cuisson uniforme.• L'ustensile de cuisson doit être de niveau sur la grille, ne pas vaciller ni balloter.• Centrer l'ustensile sur le brûleur.	
<p>Utiliser un couvercle qui correspond à l'ustensile. Un couvercle hermétique contribue à réduire le temps de cuisson.</p>	

Couvercles qui ferment bien – Un couvercle permet de diminuer la durée de cuisson en retenant la chaleur dans la marmite.

Conseils relatifs à la batterie de cuisine

- Éviter l'emploi de marmites et de casseroles dont les fonds arrondis (concaves ou convexes) sont voilés ou bosselés.
- S'assurer que le fond de la marmite ou de la casserole utilisée est propre et sec.
- Utiliser des marmites et des casseroles à fonds métalliques épais et lisses.

Ustensiles spéciaux

Les ustensiles spéciaux tels les plaques chauffantes, les rôtissoires, les autocuiseurs, les woks et le matériel de mise en conserve au bain-marie ou par pression doivent avoir les mêmes caractéristiques que décrites ci-dessus. Si vous utilisez un wok, veillez à ce qu'il soit muni d'un fond plat ou utilisez un anneau de wok.

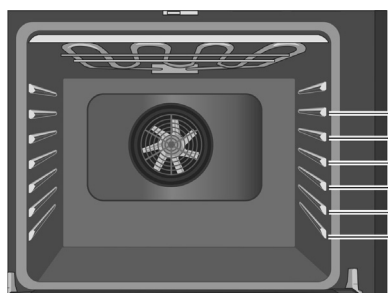
Tirer le meilleur parti de votre four

Conseils généraux

Mise en place des ustensiles de cuisson

On obtient de meilleurs résultats en plaçant les ustensiles de cuisson au centre du four. Si l'on fait cuire plusieurs plats sur une même grille, laisser au moins 1 à 1 ½ po (2,5 à 3,8 cm) d'espace libre autour des plats. Pour la cuisson simultanée des 4 étages d'un gâteau étagé, placer les moules sur deux grilles en les décalant afin qu'ils ne soient pas placés directement les uns au-dessus des autres.

Position des grilles



Les positions de grilles sont numérotées de 1 à 6 de bas en haut.

Consulter les tableaux de cuisson des aliments, à l'arrière de ce manuel, pour connaître les positions de grille recommandées.

La glissière située sur la voûte du four permet de guider la grille supérieure (position 6). Utiliser uniquement les positions de grille de 1 à 6. NE PAS tenter d'utiliser le dispositif de guidage supérieur pour soutenir une grille de four.

Position des grilles	Idéal pour
6 (position utilisable la plus élevée)	hamburgers, steaks
5	faire griller le pain, faire griller la plupart des viandes, faire fondre le fromage
4	viandes plus épaisses
3	faire cuire les volailles au grilloir, la plupart des produits boulangers préparés sur une tôle à biscuits ou dans un moule utilisant une seule grille; ceci comprend les aliments prêts-à-servir congelés, les gâteaux, les ragoûts et la pizza congelée

Position des grilles	Idéal pour
2	les petits rôtis ou volailles, les gâteaux Bundt, les tartes, le pain
1 (position la plus basse)	les gros rôtis, la dinde, le gâteau des anges

Papier aluminium

Ne pas utiliser de papier aluminium ou de doublure de protection pour revêtir toute partie de l'appareil, et en particulier la sole du four. L'utilisation de ces doublures peut entraîner un risque de choc électrique ou d'incendie.

Préchauffer le four

- Placer les grilles dans la position désirée avant de faire chauffer le four.
- Préchauffer le four lors de l'utilisation des modes Bake, Convection Bake, Convection Multi-Rack, Pizza, Broil, Convection Broil et Warm (Cuisson, Cuisson par Convection, Convection Multi-Rack, Pizza, Cuisson Gril, Cuisson Gril Convection et Maintien au Chaud).
- Le préchauffage n'est pas utilisé pour les modes Roast, Convection Roast et Proof (Rôtissage, Rôtissage Convection et Apprêt).
- Faire préchauffer le four tout en préparant les ingrédients de la recette ou les aliments.
- Le réglage d'une température plus élevée n'écourte pas le temps de préchauffage.
- Une fois le four préchauffé, mettre les aliments au four le plus vite possible pour minimiser la perte de chaleur et éviter la baisse de température du four.
- Pour accélérer le temps de préchauffage, utiliser la fonction de Fast Preheat (Préchauffage rapide).

Rappels concernant le préchauffage

Votre four possède l'un des temps de préchauffage les plus brefs du marché grâce à un élément de cuisson dissimulé. L'élément inférieur est dissimulé sous la sole du four. Il est normal que le temps de préchauffage soit différent de votre four précédent dont l'élément était exposé sur la sole du four.

- Le nettoyage du four est plus facile car il n'est plus nécessaire de contourner un élément tubulaire exposé sur la sole du four. L'élément inférieur dissimulé est protégé des souillures et des renversements d'aliments. Essuyer les renversements surabondants est simple.

- Le préchauffage du four n'est pas nécessaire pour la cuisson des viandes, de la volaille, des ragoûts et des aliments congelés.
- Le temps de préchauffage sera plus long lorsque l'alimentation électrique de votre domicile est inférieure à 240 volts.
- Toute augmentation de la température du four entraînera un temps de préchauffage supplémentaire. Par exemple, le temps de préchauffage pour un four à 425 °F (218 °C) est plus long que celui d'un four à 350 °F (177 °C).

Pour la cuisson au gril, préchauffer le four pendant 3 à 4 minutes. Ne pas préchauffer le four au-delà de 5 minutes.

Pour de meilleurs résultats

- Utiliser les recommandations de cuisson comme guide.
- Ouvrir la porte aussi brièvement que possible pour éviter les chutes de température.
- Utiliser l'éclairage intérieur du four pour vérifier la cuisson des aliments par le hublot plutôt que d'ouvrir la porte à plusieurs reprises.
- Utiliser la minuterie de cuisine pour comptabiliser les temps de cuisson.

Casseroles et plats allant au four

- Les plats en verre allant au four absorbent la chaleur. Diminuer la température de 25 °F (14 °C) lorsque vous cuisinez avec des plats en verre.
- Préchauffer le four avant d'y placer les plats en verre.
- Utiliser des plats de cuisson adaptés au degré de brunissage désiré. Pour obtenir une croûte tendre, légère et brun doré, utiliser des plats allant au four en métal anodisé ou brillant.
- Les plats foncés, rugueux ou mats (antiadhésifs ou anodisés) absorbent la chaleur et donnent une croûte plus dorée et plus croustillante. Certains fabricants recommandent de réduire la température de 25 °F (14 °C) lors de l'utilisation de ce type de plat. Suivre les recommandations du fabricant.
- Les tôles à biscuits ou les plats allant au four isolés feront augmenter la durée de cuisson.
- Ne poser aucun objet lourd sur la porte ouverte du four.
- Ne pas garder d'ustensiles de cuisson ou de pierres à pizza vides dans le four pendant la cuisson, car cela risque de modifier le rendement du four. Ranger les ustensiles de cuisson hors du four.

Ouverture de la porte du four

- Ouvrir et fermer la porte de l'appareil uniquement en utilisant la poignée. Pour éviter les risques de brûlures, ne pas toucher les autres parties de la porte du four.

Cuisson à haute altitude

- À haute altitude, les recettes et les temps de cuisson peuvent varier.
- Pour des renseignements plus précis, écrire au Service de vulgarisation de la Colorado State University, à Fort Collins, Colorado 80521. Il est possible que vous ayez à vous acquitter du coût des guides de cuisson. Préciser le nom du guide de préparation culinaire à haute altitude que vous désirez, à savoir : renseignements généraux, gâteaux, biscuits, pains, etc.

Condensation

- Il est normal de voir une certaine quantité de vapeur d'eau s'échapper des aliments au cours d'un processus de cuisson. La quantité dépend de la teneur en humidité des aliments. L'humidité peut se condenser sur n'importe quelle surface plus froide que la cavité du four, comme par exemple sur le panneau de commande.

Plage de température par mode de cuisson

Les températures indiquées sont en Fahrenheit.

Mode	Le plus faible	Le plus élevé
Cuisson	100	550
Rôtissage	100	550
Cuisson Gril (Bas, Élevé)	450	550
Maintien au Chaud	150	225
Aprêt	85	125
Cuisson par Convection	100	550
Convection Multi-Rack	100	550
Rôtissage Convection	100	550
Pizza	100	550
Cuisson Gril Convection (Bas, Élevé)	450	550

Modes de cuisson

Bake (Cuisson)



Le mode **Bake** (Cuisson) est un mode de cuisson par circulation d'air chaud et sec. Les éléments supérieur et inférieur chauffent à intervalles réguliers pour maintenir la température du four.

Le mode Bake peut être utilisé pour préparer toute sorte d'aliments, depuis les pâtisseries jusqu'aux ragoûts. Se reporter aux conseils de préparation de la recette ou de l'emballage pour connaître les températures et les temps de cuisson.

Conseils

- Lors de l'utilisation du mode Bake, faire préchauffer le four si la recette le recommande.
- Le temps de cuisson varie selon la taille, la forme et le revêtement de l'ustensile utilisé. Les récipients métalliques foncés ou les revêtements antiadhésifs permettent d'obtenir une cuisson plus rapide et un brunissage plus intense. Avec les ustensiles de cuisson isolants, la durée de cuisson augmente pour la plupart des aliments.
- **Pour de meilleurs résultats, faire cuire les aliments sur une seule grille** en laissant 1 1/2 po (3,8 cm) d'espace minimum entre les ustensiles ou les plats et les parois du four.
- Éviter les pertes de chaleur en vérifiant périodiquement la cuisson des aliments par le hublot du four au lieu d'ouvrir la porte.

Convection Bake (Cuisson par Convection)



Le mode **Convection Bake** (Cuisson par Convection) est similaire au mode Bake (Cuisson). La chaleur provient des éléments chauffants supérieur et inférieur. La principale différence est que la chaleur circule à l'intérieur de la cavité du four sous l'action du ventilateur à convection.

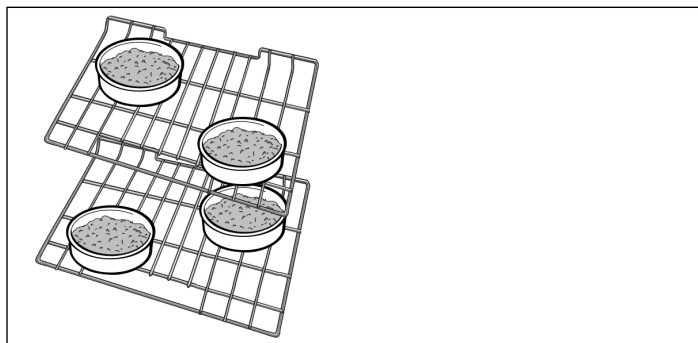
Le mode de Convection Bake est idéal pour la cuisson des gâteaux, des biscuits en barres et des pains car il se sert de la chaleur de l'élément inférieur qui donne aux aliments cuits au four une croûte plus savoureuse.

Les avantages du mode Convection Bake (Cuisson par Convection) comprennent :

- Une légère diminution de la durée de cuisson.
- Un volume plus élevé (les aliments à base de levure lèvent mieux).

Conseils

- Placer les aliments dans des moules peu profonds, non couverts, tels que des tôles à biscuit sans rebords.
- Pour faire cuire les gâteaux, utiliser les positions de grille 2 et 5.
- Si l'on fait cuire plusieurs plats sur une même grille, laisser au moins 1 po à 1 1/2 po (2,5 à 3,8 cm) d'espace libre autour des plats. Décaler les plats de façon à ce qu'ils ne soient pas directement placés les uns au-dessus des autres (voir le schéma). Utiliser les positions de grille figurant ci-après.



Conversion Convection Auto

Les modes de Cuisson par Convection et Convection Multi-Rack (cuisson sur plusieurs grilles) nécessitent une réduction de température de 25 °F (14 °C). Le mode Conversion Convection Auto diminue la température que vous avez saisie automatiquement. Entrer simplement la température de la recette ou indiquée sur l'emballage lors du réglage du mode. La commande calcule la température juste et l'affiche à l'écran.

La fonction Conversion Convection Auto peut être activée pour procéder à des ajustements automatiques de la température. Pour des détails, voir « Conversion Convection Auto » à la section « Options du menu Réglages », page 23.

Convection Multi-Rack



Le mode **Multi-Rack** utilise la chaleur diffusée par un troisième élément situé derrière la paroi arrière du four. La chaleur circule à l'intérieur de la cavité du four sous l'action du ventilateur à convection.

Le mode Convection Multi-Rack est idéal pour la cuisson des aliments en portions individuelles tels les biscuits et les biscottes. Ce mode convient également à la cuisson simultanée sur plusieurs grilles (2 ou 3). La cuisson des biscuits peut se faire simultanément sur 6 grilles différentes. Dans ce cas, le temps de cuisson augmente légèrement.

Les avantages du mode Multi-Rack comprennent :

- Un brunissage uniforme.
- Des économies de temps grâce à l'utilisation de plusieurs grilles en même temps.

Conseils

- Réduire la température du four indiquée dans la recette de 25 °F (14 °C) si le mode Conversion Convection Auto n'est pas activé.
- Placer les aliments dans des moules à rebords peu élevés, non couverts, tels que des tôles à biscuit sans rebords.
- Si l'on fait cuire plusieurs plats sur une même grille, laisser au moins 1 po à 1 1/2 po (2,5 à 3,8 cm) d'espace libre autour des plats. Décaler les moules afin qu'ils ne soient pas directement les uns au-dessus des autres.

Pizza



En mode **Pizza**, la chaleur diffusée par les éléments supérieur et inférieur circule à l'intérieur de la cavité du four sous l'action du ventilateur à convection.

Le mode Pizza convient pour les pizzas fraîches ou congelées.

Conseils

- Il se peut que la durée de cuisson soit légèrement plus courte. Vérifier au préalable la durée minimale indiquée sur l'emballage.
- Lorsque vous faites cuire une pizza congelée :
Pour obtenir une croûte croustillante, placer la pizza directement sur la grille.
Pour obtenir une croûte plus molle, utiliser une plaque à pizza.

- Pour apprêter la pâte à pizza, badigeonner celle-ci d'huile d'olive, la mettre dans un saladier et bien couvrir le saladier d'un film étirable pour éviter qu'une croûte ne se forme à la surface.
- Saupoudrer de la semoule de maïs sur la plaque à pizza pour éviter que la pâte n'attache.
- Si vous utilisez une palette à pizza, saupoudrer généreusement celle-ci de semoule de maïs pour transférer la pâte sur la plaque.
- Si vous faites cuire à blanc une pâte à pizza faite maison, piquer le fond avec une fourchette avant de mettre au four.
- Si vous utilisez un moule à pizza, choisir un moule foncé muni de trous pour obtenir une croûte plus croustillante et un moule non troué pour obtenir une croûte plus molle.
- Préchauffer les pierres à pizza en suivant les recommandations du fabricant pendant le préchauffage du four.
- Faire cuire les pizzas maison au centre de la grille et placer celle-ci en position 2.
- Pour les pizzas congelées, observer les recommandations du fabricant.
- Lors de l'utilisation du mode Pizza, le ventilateur à convection s'allume et s'éteint par intermittence.

Roast (Rôtissage)



Le mode **Roast** (Rôtissage) utilise à la fois les éléments supérieur et inférieur pour maintenir la température du four. Ce mode exige que l'élément supérieur produise une chaleur plus intense que celle diffusée par l'élément inférieur. Ceci permet d'obtenir des mets bien dorés à l'extérieur et particulièrement moelleux à l'intérieur.

Le mode Roast convient parfaitement à la viande et à la volaille et aux coupes de viande moins tendres.

Conseils :

- Il n'est pas nécessaire de préchauffer le four.
- Utiliser un plat à rôtir à rebords élevés ou une rôtissoire. Couvrir le plat avec un couvercle ou une feuille d'aluminium pour faire cuire les coupes de viande moins tendres.
- Pour les coupes de viande moins tendres, ajouter des liquides, tels de l'eau, du jus, du vin, du bouillon ou un fond pour parfumer et mouiller la viande.
- Les sacs à rôtir se prêtent bien à ce mode de cuisson de même que les couvercles.

- Pour faire rôtir un poulet ou une dinde entiers, replier les ailes sous le dos et attacher les cuisses de manière lâche avec de la ficelle de cuisine.

Convection Roast (Rôtissage Convection)



Le mode **Convection Roast** (Rôtissage Convection) utilise la chaleur diffusée par les éléments supérieur et inférieur ainsi que la chaleur qui circule dans la cavité sous l'action du ventilateur à convection.

Le mode Convection Roast est bien adapté à la préparation des coupes de viande tendres et de la volaille. Il convient également au rôtissage des légumes.

Les avantages du mode Convection Roast comprennent :

- Une cuisson jusqu'à 25 % plus rapide que les modes n'utilisant pas la Cuisson par Convection.
- Un brunissage riche, doré.

Conseils :

- Il n'est pas nécessaire de préchauffer le four.
- Utiliser la même température que celle qui est indiquée sur la recette.
- Vérifier la cuisson au début car la durée de rôtissage peut être écourtée. Pour des exemples, se reporter au Tableau de cuisson de la viande/volaille.
- Ne pas couvrir la viande ni utiliser de sacs de cuisson.
- Utiliser un plat à rôtir avec grille et gril-lèche-frite ou un plat à rôtir avec grille peu profond et non couvert.
- Utiliser un thermomètre à viande pour déterminer la température interne de celle-ci.
- Si la viande est dorée à souhait, mais que la cuisson n'est pas terminée, vous pouvez la couvrir d'une feuille de papier aluminium pour qu'elle ne dore pas trop.
- Une fois la viande sortie du four, la couvrir avec du papier aluminium et laisser reposer pendant 10 à 15 minutes.
- Se reporter au Tableau de cuisson de la viande/volaille pour connaître les positions de grille recommandées.

Broil (Cuisson Gril)



Le mode **Broil** (Cuisson Gril) utilise la chaleur intense diffusée par l'élément supérieur.

Le mode Broil est parfaitement adapté à la cuisson des pièces de viande minces et tendres de 1 po (2,5 cm) d'épaisseur ou moins, de la volaille et du poisson. On peut l'utiliser également pour faire griller le pain et gratiner les ragoûts. Toujours faire griller les aliments avec la porte fermée. Les avantages du mode Broil comprennent :

- Une cuisson rapide et efficace.
- Une cuisson ne nécessitant pas l'ajout de matières grasses ou de liquides.

Conseils :

- Préchauffer le four pendant 3 à 4 minutes. Ne pas préchauffer le four au-delà de 5 minutes.
- Le steak et les côtelettes doivent avoir au moins $\frac{3}{4}$ po (2 cm) d'épaisseur.
- Badigeonner le poisson et la volaille de beurre ou d'huile pour éviter qu'ils n'attachent pendant la cuisson.
- Pour le rôtissage, utiliser un plat à rôtir et un gril-lèche-frite, ou un plat profond doté d'une plaque-gril en métal.
- Ne pas recouvrir le gril-lèche-frite de papier aluminium. Il a été conçu pour faciliter l'écoulement des matières grasses hors de la surface de cuisson et pour éviter le dégagement de fumée et les éclaboussures.
- Tourner les viandes (autres que le poisson) une fois pendant la durée de cuisson recommandée. Le poisson n'a pas besoin d'être tourné.
- Pour gratiner les ragoûts, utiliser uniquement des plats en métal ou en céramique de verre tels que Corningware®.
- Ne jamais utiliser de plats en verre résistant à la chaleur (Pyrex®); ils ne tolèrent pas les températures élevées.
- Pour les durées de cuisson au gril, consulter le Tableau de cuisson de la viande/volaille.

Convection Broil (Cuisson Gril Convection)



Le mode **Convection Broil** (Cuisson Gril Convection) est similaire au mode Cuisson Gril. Ce mode allie la chaleur intense diffusée par l'élément supérieur à l'air chaud qui circule sous l'action d'un ventilateur à convection.

Le mode Convection Broil est bien adapté à la cuisson des coupes de viande épaisses et tendres, de la volaille et du poisson. Le mode Cuisson Gril Convection n'est pas recommandé pour le brunissage des pains, des ragoûts et autres aliments. Utiliser toujours le mode Convection Broil avec la porte fermée.

Outre les avantages de la cuisson au gril normale, le mode Convection Broil est plus rapide.

Conseils :

- Préchauffer le four pendant 3 à 4 minutes. Ne pas préchauffer le four au-delà de 5 minutes.
- Le steak et les côtelettes doivent avoir au moins 1 1/2 po (3,8 cm) d'épaisseur.
- Pour le rôtissage, utiliser un plat à rôtir et un gril-lèche-frite, ou un plat profond doté d'une plaque-gril en métal.
- Ne pas recouvrir le gril-lèche-frite de papier aluminium. Il a été conçu pour faciliter l'écoulement des matières grasses hors de la surface de cuisson et pour éviter le dégagement de fumée et les éclaboussures.
- Tourner les viandes (autres que le poisson) une fois pendant la durée de cuisson recommandée. Le poisson n'a pas besoin d'être tourné.
- Ne jamais utiliser de plats en verre résistant à la chaleur (Pyrex®); ils ne tolèrent pas les températures élevées.
- Pour les durées de cuisson correspondant au mode Cuisson Gril Convection, consulter le Tableau de cuisson de la viande/volaille.

Proof (Apprêt)



En mode **Proof** (Apprêt), le four utilise l'élément inférieur pour faire lever la pâte à pain ou d'autres types de pâtes à base de levure en les maintenant à basse température.

- Aucun préchauffage n'est nécessaire.
- L'apprêt consiste à faire lever la pâte à base de levure.
- La plage de température du mode Apprêt Pâte est comprise entre 85 °F et 125 °F (29,4 °C à 51,6 °C).
- La température par défaut du mode Apprêt pâte est de 100 °F (38 °C).
- Couvrir lâchement le saladier ou l'ustensile de cuisson et utiliser une grille adaptée à la taille de celui-ci.
- Laisser la porte du four fermée et utiliser l'éclairage du four pour vérifier la levée de la pâte.

Warm (Maintien au Chaud)



En mode **Warm** (Maintien au Chaud), les éléments supérieur et inférieur maintiennent la température à un faible niveau dans la cavité du four pour conserver les aliments à la température adéquate jusqu'au service.

- Utiliser le mode Warm pour conserver les aliments cuits au chaud jusqu'au moment de servir, soit pendant environ une heure.
- Les températures de maintien au chaud sont 150 °F à 225 °F (65,6 °C et 107,2 °C).
- La température par défaut du mode Maintien au Chaud est de 170 °F (77 °C).
- Protéger les aliments devant rester humides avec un couvercle ou du papier aluminium.

⚠ ATTENTION

Lors de l'utilisation du mode **Warm** (Maintien au Chaud), suivre les recommandations suivantes :

- Ne pas utiliser le mode **Warm** (Maintien au Chaud) pour faire chauffer des aliments froids.
- S'assurer de maintenir les aliments à la température adéquate. L'USDA recommande de maintenir les aliments chauds à 140 °F (60 °C) ou plus.
- NE PAS maintenir des aliments au chaud pendant plus d'une heure.

Tirer le meilleur parti de votre tiroir-réchaud

À propos de l'appareil

Le tiroir-réchaud permet de conserver les aliments cuits et chauds à une température de service. Toujours utiliser des aliments chauds au départ. NE PAS utiliser pour réchauffer des aliments froids sauf pour redonner leur croquant aux biscuits salés, aux croustilles ou aux céréales sèches ou pour faire chauffer des plats ou des assiettes.

Le tiroir est doté d'un poussoir. Pousser sur le devant du tiroir pour déclencher son ouverture.

Conseils généraux

Se reporter au tableau relatif au tiroir-réchaud pour connaître les réglages recommandés.

- Pour maintenir au chaud des types d'aliments différents, régler la température pour l'aliment nécessitant la température de maintien au chaud la plus élevée.
- Disposer les aliments nécessitant la température la plus élevée vers les côtés du tiroir et ceux nécessitant moins de chaleur au centre.
- Les aliments doivent être déjà à la température de service (au-dessus de 140 °F ou 60 °C) avant d'être placés dans le tiroir-réchaud. NE PAS utiliser pour réchauffer des aliments froids sauf pour redonner leur croquant aux biscuits salés, aux croustilles ou aux céréales sèches ou pour faire chauffer des plats ou des assiettes.
- Faire chauffer le plat à servir vide tout en préchauffant le tiroir si vous le désirez.
- Placer les aliments cuits et chauds dans le tiroir-réchaud dans le plat de cuisson initial ou dans un plat de service résistant à la chaleur.
- Vous pouvez recouvrir les aliments de papier aluminium; toutefois, NE PAS recouvrir le tiroir-réchaud de papier aluminium.
- Ne pas utiliser le tiroir-réchaud comme tiroir de rangement.

Utilisation de l'appareil

▲ ATTENTION

Pour des raisons de sécurité alimentaire, ne pas laisser les aliments à l'intérieur du four pendant plus d'une heure avant ou après la cuisson.

IMPORTANT :

Les contenants en plastique ou le film étirable peuvent se fondre lorsqu'ils sont en contact direct avec le tiroir ou un ustensile chaud. S'ils se fondent dans le tiroir, ils peuvent être impossibles à nettoyer.

Remarque :

Utiliser uniquement des plats résistants à la chaleur.

Préchauffer le tiroir-réchaud

Préchauffer le tiroir-réchaud avant de maintenir des aliments au chaud. Pour de meilleurs résultats, préchauffer le tiroir-réchaud en respectant les durées de préchauffage suivantes :

Réglage	Durée de préchauffage
BAS	10 minutes
MOY	15 minutes
ÉLEVÉ	20 minutes

Préchauffer les aliments

1. Préchauffer le tiroir-réchaud.
2. Placer les aliments cuits et chauds dans le tiroir-réchaud.

Vous pouvez laisser les aliments dans le plat de préparation initial. Autre possibilité : transférer les aliments dans un plat de service résistant à la chaleur avant de les mettre dans le tiroir-réchaud.

Vous pouvez recouvrir les aliments de papier aluminium ou utiliser un couvercle.

Préchauffer assiettes et bols

Utiliser uniquement des plats résistants à la chaleur.
Disposer les assiettes ou les plats vides dans un tiroir-réchaud froid. Inutile de préchauffer.

Sélectionner **LOW** (Bas).

Redonner leur croquant aux articles rassis

Disposer les aliments dans des plats ou ustensiles à rebords peu élevés.

1. Appuyer sur **LOW** (Bas).
2. Préchauffer le tiroir-réchaud pendant 10 minutes, puis y mettre le plat.
3. Régler la minuterie de maintien au chaud.
4. Vérifier si les aliments sont croustillants au bout de 45 minutes. Faire chauffer autant que nécessaire.

Recommandations relatives à la température

Aliments/Batterie de cuisine	Réglage	Couvrir le plat
Bacon	ÉLEVÉ	Non
Bœuf, à point et bien cuit	MOY	Non
Bœuf, saignant	BAS	Non
Pain, petits pains	MOY	Non
Pain, petits pains au lait, brioches	MOY	Oui
Biscotines	MOY	Oui
Ragoûts	MOY	Oui
Œufs	MOY	Oui
Poisson, fruits de mer	MOY	Oui
Aliments frits	ÉLEVÉ	Non
Sauce au jus de viande, sauces à la crème	MOY	Oui
Jambon	MOY	Oui
Pancakes (crêpes américaines)	ÉLEVÉ	Oui
Tartes, un fond	MOY	Oui
Tartes, deux fonds	MOY	Non
Pizza	ÉLEVÉ	Non
Porc	MOY	Oui
Pommes de terre, au four	ÉLEVÉ	Oui
Pommes de terre, en purée	MOY	Oui
Volaille, rôtie	MOY	Oui
Légumes	MOY	Oui
Assiettes	BAS	Non
Assiette repas	MOY	Oui

Nettoyage et entretien

Surface de cuisson

Nettoyage quotidien

La table de cuisson peut être entièrement nettoyée en toute sécurité avec une éponge savonneuse. Il faudra ensuite rincer et sécher. S'il y a des taches tenaces, suivre les méthodes de nettoyage recommandées ci-après.

- Toujours utiliser le nettoyant le plus doux qui fera l'affaire. Utiliser des éponges, chiffons ou papier essuie-tout propres et doux.
- Frotter le fini en acier inoxydable dans le sens du grain. Essuyer pour éviter les taches d'eau.
- Avant le nettoyage, s'assurer que les brûleurs sont éteints et que les grilles et brûleurs sont froids.
- Ne pas nettoyer les pièces amovibles de la table de cuisson dans un four autonettoyant.
- Après le nettoyage, remettre toutes les pièces en place avant d'utiliser la table de cuisson.
- Pour un bon rendement des brûleurs, s'assurer que les allumeurs sont propres et secs.

- Veiller à ce que les orifices d'allumage soient propres pour permettre le bon allumage des brûleurs. Il faut les nettoyer après un débordement ou lorsque le brûleur ne s'allume pas même si les allumeurs électroniques émettent un déclic.
- Ne pas utiliser de produits nettoyants inflammables, par exemple un allume feu liquide ou du WD-40.

▲ ATTENTION

Tous les allumeurs font des étincelles lorsqu'on allume un brûleur. Ne pas toucher aux brûleurs lorsque la table de cuisson est en fonctionnement.

Consignes de nettoyage

Les agents nettoyants recommandés ci-dessous et à la page suivante indiquent un type de nettoyant et ne constituent pas la promotion d'une marque particulière. Utiliser tous les produits conformément aux directives de l'emballage.

Tableau de nettoyage de la table de cuisson

Pièces et matériaux de la table de cuisson	Nettoyants suggérés	Rappels importants
Base de brûleur Alliage d'aluminium	<ul style="list-style-type: none">• Détergent et eau chaude. Rincer et sécher.• Brosse à dents en nylon rigide pour nettoyer les orifices.• Nettoyants abrasifs : Tampons Brillo® ou S.O.S.®. Rincer et sécher.	<ul style="list-style-type: none">• Ne pas rayer ou érafler les ouvertures des orifices.• Nettoyer les orifices avec un fil de métal ou un trombone étiré.• Ne pas utiliser de cure-dents, car ils peuvent se briser.

Pièces et matériaux de la table de cuisson	Nettoyants suggérés	Rappels importants
<p>Capuchon de brûleur Porcelaine émaillée</p>	<ul style="list-style-type: none"> • Eau savonneuse chaude. Rincer et sécher soigneusement. • Nettoyants non abrasifs : Ammoniaque, Fantastic®, Formula 409®. • Nettoyants abrasifs doux : Bon Ami®, Ajax®, Comet®. • Nettoyants liquides : Kleen King®, Soft Scrub®. • Pour les taches de nourriture, utiliser un nettoyant abrasif tel que Zud® ou Bar Keepers Friend®. • Remonter. S'assurer que le capuchon est bien positionné sur la base. 	<ul style="list-style-type: none"> • Les déversements acides ou à base de sucre peuvent détériorer la porcelaine émaillée. Nettoyer immédiatement ces taches. • Ne pas utiliser une éponge ou une serviette humide sur la porcelaine chaude. • Ne pas faire tremper les capuchons de brûleur. • Toujours exercer le moins de pression possible en utilisant des nettoyants abrasifs. • Sécher soigneusement une fois le nettoyage terminé.
<p>Fini extérieur Acier inoxydable</p>	<ul style="list-style-type: none"> • Nettoyants non abrasifs : Eau chaude et détergent, Fantastic®, Formula 409®. Rincer et sécher immédiatement. • Cire nettoyante : Stainless Steel Magic® pour protéger le fini des taches et de la corrosion. Rehausse l'apparence. • Taches d'eau calcaire : Vinaigre domestique blanc. • Nettoyants abrasifs doux : Nettoyant liquide pour acier inoxydable Kleen King Stainless Steel, Bon Ami®. • Décoloration par la chaleur : Bar Keepers Friend®. 	<ul style="list-style-type: none"> • Ne pas utiliser de tampons en laine d'acier. Ils rayeront la surface. • L'acier inoxydable résiste à la plupart des taches de nourriture et marques de corrosion à condition que la surface soit propre et protégée. • Ne jamais laisser les taches ou le sel sur l'acier inoxydable pendant une durée quelconque. • Frotter légèrement dans le sens du grain. • Le chlore contenu dans certains produits nettoyants ou ses composés sont corrosifs pour l'acier inoxydable. Vérifier les ingrédients sur l'étiquette avant toute utilisation.
<p>Grilles Porcelaine émaillée sur fonte</p>	<ul style="list-style-type: none"> • Nettoyants non abrasifs : Eau chaude et détergent, Fantastic®, Formula 409®. Rincer et sécher immédiatement. • Nettoyants abrasifs doux : Bon Ami® et Soft Scrub®. • Nettoyants abrasifs pour taches tenaces : tampons savonneux en laine d'acier. 	<ul style="list-style-type: none"> • Les grilles sont lourdes : faire attention en les soulevant. Pour nettoyer, placer sur une surface protégée. • Les craquelures, fissurations, ébréchures des tiges de grille sont généralement causées par des températures extrêmes et par des variations de températures rapides. • Les déversements acides ou à base de sucre peuvent détériorer l'émail. Nettoyer immédiatement ces taches. • Les nettoyants abrasifs utilisés trop souvent ou en frottant trop vigoureusement finissent par abîmer l'émail. • Ne pas nettoyer dans un four autonettoyant.

Pièces et matériaux de la table de cuisson	Nettoyants suggérés	Rappels importants
Allumeurs Céramique	<ul style="list-style-type: none"> Essuyer délicatement à l'aide d'un tampon de coton imbibé d'eau, d'ammoniaque et de Formula 409®. Gratter délicatement les dépôts avec un cure-dent. 	<ul style="list-style-type: none"> Éviter tout excès d'eau sur l'allumeur. Un allumeur humide empêchera le brûleur de s'allumer. Enlever les peluches pouvant subsister après le nettoyage.

Nettoyage du four

⚠ AVERTISSEMENT

Les enfants ne doivent pas être laissés seuls ou sans surveillance à un endroit où des appareils électroménagers sont utilisés. Durant le cycle de nettoyage automatique, certaines parties de l'appareil peuvent poser un danger aux personnes qui n'ont pas les compétences des adultes concernant l'usage des appareils électroménagers et ne peuvent pas réagir comme le ferait un adulte devant des conditions potentiellement dangereuses.

De faibles quantités de monoxyde de carbone peuvent se dégager lors de l'élimination des salissures pendant le cycle d'autonettoyage. L'isolant en fibre de verre peut émettre de très faibles quantités de formaldéhyde pendant les quelques premiers cycles autonettoyants. Pour minimiser l'exposition à ces substances, assurer une bonne ventilation en laissant une fenêtre ouverte, ou utiliser un ventilateur ou une hotte d'aération.

Nettoyage Auto

Lors de l'autonettoyage, le four est chauffé à une température très élevée. Cette température permet de calciner les salissures.


AVIS :

- Essuyer les déversements importants avant de procéder à l'autonettoyage du four.
- Ne pas nettoyer les pièces ou accessoires dans le four autonettoyant. Enlever les plats de cuisson et les grilles du four avant d'exécuter le mode Nettoyage Auto.

Pour régler le mode Nettoyage Auto (Self Clean) :

- Retirer tous les accessoires et toutes les grilles du four.
- Si un mode de cuisson est activé, appuyer sur **Oven Clear/Off** (Four Effacer/Désactiver) pour mettre fin au mode en fonctionnement.

- Appuyer sur la touche à effleurement **Self Clean** (Nettoyage Auto) située sous l'écran.

L'icône Nettoyage Auto  apparaît sur l'écran. La minuterie de Nettoyage Auto affiche 4 heures (4:00) par défaut et clignote pour indiquer que cette valeur peut être acceptée ou modifiée.

Pour accepter la durée d'autonettoyage par défaut de 4 heures (4:00), appuyer sur **Enter** sur le pavé numérique.

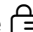
Pour saisir un nombre d'heures différent, utiliser le pavé numérique. La valeur saisie doit être comprise entre 2 (2:00) et 4 (4:00) heures. Si vous entrez une valeur inférieure à 2 heures ou supérieure à 4 heures, une tonalité d'erreur retentit et un message s'affiche.

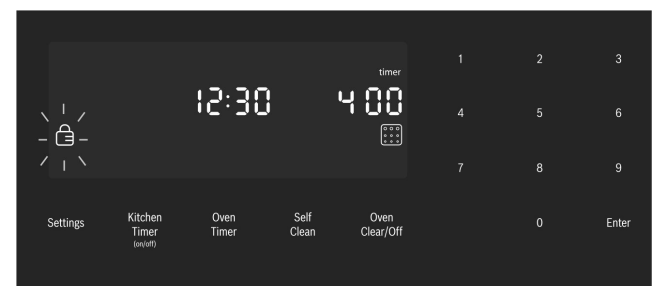
Utiliser un réglage plus long pour un four très sale.



- Lorsque la durée d'autonettoyage désirée est affichée, appuyer sur **Enter** sur le pavé numérique.

La porte du four se verrouille avant le début du cycle d'autonettoyage.

Le symbole de verrou de porte  est affiché et clignote pendant le verrouillage de la porte. Une fois la porte verrouillée, le symbole de verrou de porte reste allumé (il ne clignote plus).



Le symbole de verrou de porte reste allumé tant que le mode Nettoyage Auto n'est pas terminé.

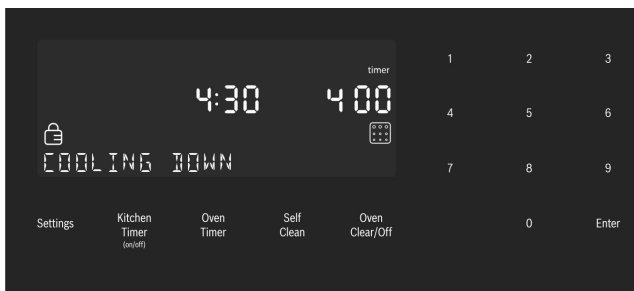
Remarque : La porte reste fermée jusqu'à ce que le four ait refroidi une fois l'autonettoyage terminé. La porte peut être ouverte à nouveau uniquement lorsque « **Nettoyage Auto** » disparaît de l'écran.

5. **Nettoyage Auto** démarre et la minuterie de Nettoyage Auto du four lance le compte à rebours.

Pour annuler le mode Nettoyage Auto

Appuyer sur la touche à effleurement **Oven Clear/Off** pour annuler le mode Nettoyage Auto.

Par sécurité, lorsque la minuterie de Nettoyage Auto s'arrête, l'unité doit refroidir avant que l'on ne puisse ouvrir la porte. Pendant ce délai, le message « REFROIDISSEMENT EN COURS » est affiché.



6. Lorsque la période de refroidissement est terminée, le message « NETTOYAGE AUTO TERMINÉ » s'affiche. Continuer à prendre des précautions lors de l'ouverture de la porte du four.



7. Appuyer sur **Oven Clear/Off** pour effacer les données affichées à l'écran une fois l'autonettoyage terminé.
8. Une fois le four refroidi et la porte déverrouillée, essuyer les cendres résiduelles à l'intérieur du four à l'aide d'un chiffon humide.

Remarque :

- L'éclairage du four ne peut pas être allumé pendant le cycle d'autonettoyage.
- L'émail spécial résistant à la chaleur spécial et les éléments polis du four peuvent présenter une décoloration au fil du temps. Ceci est normal et ne nuit en rien au fonctionnement du four. Ne pas utiliser des tampons à récurer ou des produits de nettoyage abrasifs pour tenter d'éliminer les décolorations.

Éviter ces produits nettoyants

Ne pas utiliser les produits nettoyants commerciaux tels que Easy Off®. Ils risquent d'abîmer le fini ou les pièces du four.

Le chlore ou les composés chlorés qui entrent dans la composition de certains produits nettoyants sont corrosifs pour l'acier inoxydable. Vérifier les ingrédients figurant sur l'étiquette.

Ne jamais utiliser des tampons à récurer ou des produits de nettoyage abrasifs.

Guide de nettoyage du four

Pièce	Recommandations
Grille plate	Laver avec de l'eau savonneuse chaude. Rincer à fond et sécher ou frotter doucement avec de la poudre à récurer ou des tampons savonneux selon les instructions. NE PAS nettoyer la grille dans le four autonettoyant. Si vous nettoyez les grilles plates dans le four pendant la fonction d'autonettoyage, elle perdront leur lustre et risquent de mal coulisser sur les rainures. Si cela se produit, mouiller les bords de la grille d'une petite quantité d'huile végétale. Ensuite, enlever l'excédent.
Grille télescopique	Laver avec de l'eau savonneuse. Rincer à fond et sécher ou frotter doucement avec de la poudre à récurer ou des tampons savonneux selon les instructions. Éviter de mettre de la poudre à récurer dans les glissières télescopiques. Il peut s'avérer nécessaire de lubrifier à nouveau les glissières. Utiliser uniquement des lubrifiants haute température de qualité alimentaire pour lubrifier les glissières. NE PAS nettoyer la grille dans le four autonettoyant. NE PAS laisser la grille dans le four pendant le déroulement du cycle autonettoyant. Si vous nettoyez la grille télescopique dans le four pendant le déroulement du mode autonettoyant, elle perdra sa finition brillante et coulissera moins bien.
Joint en fibre de verre	NE PAS NETTOYER LE JOINT.

Pièce	Recommandations
Verre	Laver avec de l'eau et du savon ou un produit pour vitres. Utiliser les produits d'entretien Fantastik® ou Formula 409® pour enlever les projections de graisse et les taches rebelles.
Surfaces peintes	Nettoyer avec de l'eau savonneuse chaude ou appliquer du Fantastik® ou du Formula 409® sur une éponge propre ou du papier essuie-tout et essuyer. Éviter les agents nettoyants à base de poudre, les tampons métalliques et les produits à nettoyer les fours.
Surfaces en porcelaine	Essuyer immédiatement les déversements acides tels que jus de fruits, lait et tomates avec un chiffon sec. Ne pas utiliser d'éponge ou de chiffon humide sur la porcelaine chaude. Dès que la surface est froide, nettoyer avec de l'eau chaude savonneuse ou appliquer du Bon-Ami® ou du Soft Scrub® sur une éponge humide. Rincer et sécher. Pour les taches rebelles, utiliser des tampons savonneux. Il est normal que de fines lignes apparaissent sur la porcelaine au fil du temps à cause de la chaleur et des salissures.
Surfaces en acier inoxydable	Ne jamais laisser les taches ou le sel sur l'acier inoxydable pendant une durée quelconque. Toujours essuyer ou frotter dans le sens du grain. Nettoyer avec une éponge savonneuse puis rincer et sécher, ou essuyer avec du Fantastik® ou du Formula 409® vaporisé sur du papier essuie-tout. Protéger et polir en utilisant du Stainless Steel Magic® et un chiffon doux. Éliminer les traces d'eau avec un chiffon humecté de vinaigre blanc. Utiliser Bar Keeper's Friend® pour éliminer la décoloration due à la chaleur. Le chlore ou les composés chlorés qui entrent dans la composition de certains produits nettoyants sont corrosifs pour l'acier inoxydable. Vérifier les ingrédients figurant sur l'étiquette.
Matière plastique et commandes	Lorsque refroidis, nettoyer avec de l'eau savonneuse, rincer et sécher.

Pièce	Recommandations
Sonde	Essuyer avec de l'eau savonneuse. Ne pas plonger dans l'eau. Ne pas laver au lave-vaisselle.
Zones de texte imprimé (mots et chiffres)	Ne pas utiliser de produits de nettoyage abrasifs.

Nettoyage du tiroir-réchaud

Pièce	Recommandations
Intérieur du tiroir (acier inoxydable poli)	Utiliser un détergent vaisselle. Laver, rincer et sécher. Pour les taches d'eau dure ou le tartre, utiliser du vinaigre. Appliquer à l'aide d'une éponge ou d'un chiffon, rincer et sécher.
Surfaces peintes	Utiliser de l'eau savonneuse chaude ou des nettoyants doux tel Fantastik® ou Formula 409®. Laver, bien rincer et sécher. Éviter d'utiliser des agents nettoyants abrasifs, les tampons métalliques à récurer et les produits à nettoyer les fours.
Châssis extérieur du tiroir (acier inoxydable brossé)	Toujours essuyer ou frotter dans le sens du grain. Nettoyer avec une éponge savonneuse puis rincer et sécher, ou essuyer avec du Fantastik® ou du Formula 409® vaporisé sur du papier essuie-tout. Protéger et polir en utilisant du Stainless Steel Magic® et un chiffon doux. Éliminer les taches d'eau à l'aide d'un chiffon humecté de vinaigre blanc. Utiliser Bar Keeper's Friend® pour éliminer la décoloration due à la chaleur.

Entretien

Entretien de la table de cuisson

L'appareil ne requiert qu'un nettoyage régulier pour un fonctionnement adéquat. Aucun autre entretien n'est nécessaire.


Entretien du four

Remplacement de l'ampoule du four

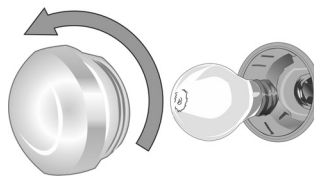
⚠ AVERTISSEMENT

- Avant de remplacer une ou plusieurs ampoules, s'assurer que l'appareil et les ampoules sont froids et veiller à avoir coupé l'alimentation électrique de l'appareil. Le non-respect de cette précaution pourrait entraîner un choc électrique ou des brûlures.
- Les lentilles doivent être en place lors de l'utilisation de l'appareil.
- Elles permettent d'éviter que les ampoules ne se cassent.
- Les lentilles sont en verre. Manipuler avec précautions pour éviter les cassures. Les brisures de verre peuvent blesser quelqu'un.
- La douille d'éclairage est sous tension lorsque la porte est ouverte.

Spécifications des ampoules :

Description de l'ampoule	Illustration
40 watts, ampoule pour appareil électroménager, culot Edison standard	

Pour changer l'ampoule :



1. Couper l'alimentation du four au tableau de distribution principal (boîte à fusibles ou boîtier de disjoncteurs).
2. Retirer le couvercle en verre en le dévissant. Faire pivoter le verre dans le sens contraire des aiguilles d'une montre et le retirer.
3. Enlever l'ampoule. L'ampoule se dévisse dans le sens contraire des aiguilles d'une montre.
4. Saisir l'ampoule neuve avec un chiffon propre et sec pour éviter que les graisses de l'épiderme ne se déposent sur le verre ce qui pourrait se traduire par la défaillance prématurée de l'ampoule. Mettre en place l'ampoule en la vissant dans le sens des aiguilles d'une montre.
5. Revisser le couvercle en verre pour le mettre en place.
6. Rétablir le courant au tableau d'alimentation principal (boîte à fusibles ou boîtier de disjoncteurs).

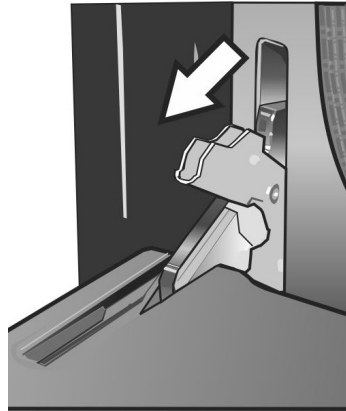
Démontage de la porte du four

⚠ AVERTISSEMENT

Lors du démontage de la porte du four :

- Avant de démonter la porte, s'assurer que le four est froid et que le courant qui l'alimente a été coupé. Le non-respect de cette précaution pourrait entraîner un choc électrique ou des brûlures.
- La porte du four est lourde et certaines parties sont fragiles. Utiliser les deux mains pour l'enlever. Le devant de la porte est en verre. À manipuler avec précaution pour éviter les cassures.
- Saisir uniquement les côtés de la porte. Ne pas saisir la poignée, car elle peut pivoter dans la main et causer des dommages ou des blessures.
- Si la porte du four n'est pas saisie fermement et correctement, il y a un risque de lésion corporelle ou de dommage au produit.
- Pour éviter toute blessure causée par l'enclenchement soudain du support de charnière, s'assurer que les deux leviers sont bien enclenchés avant d'enlever la porte. En outre, ne pas forcer la porte pour l'ouvrir ou la fermer car la charnière risque de s'abîmer et vous pourriez vous blesser.
- Après avoir démonté la porte, ne pas la poser sur des objets acérés ou pointus car ceux-ci risquent de briser la vitre. Disposer la porte sur une surface plane et lisse afin qu'elle ne risque pas de tomber.

Pour démonter la porte du four :



Pour prévenir les blessures ou les dommages, veiller à lire l'AVERTISSEMENT ci-dessus avant de tenter de démonter la porte du four.

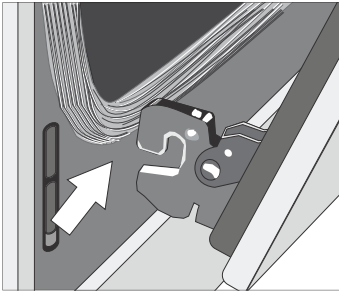
1. Ouvrir complètement la porte du four jusqu'à ce qu'elle soit à l'horizontale.
2. Basculer les leviers des charnières vers soi.

Remarque : Il est parfois nécessaire d'utiliser un outil, tel un tournevis, pour forcer délicatement la partie supérieure du levier pour dégager celui-ci du bâti. Faire attention à ne pas rayer le bâti.

3. Abaissez complètement les deux leviers de charnière de la porte comme le montre l'illustration. Les charnières gauche et droite de la porte peuvent être légèrement différentes mais fonctionnent de la même manière.

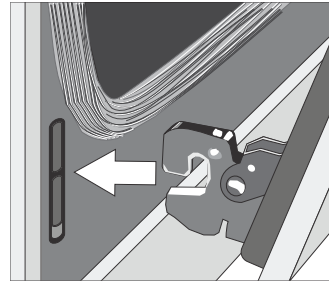


4. Fermer la porte du four jusqu'à ce qu'elle s'accroche sur les leviers d'arrêt des charnières, en bloquant les charnières à l'angle adéquat afin de pouvoir retirer la porte. La porte sera ouverte d'environ 7 po (17,8 cm) sur la partie supérieure. Ceci a pour effet d'éliminer la tension des ressorts exercée sur les charnières ce qui permet de soulever aisément la porte.

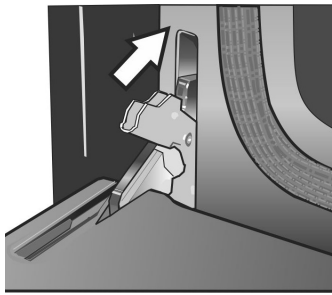


5. La porte est lourde. Saisir la porte fermement à deux mains en la prenant par les côtés. Ne pas saisir la porte par la poignée. Tout en conservant l'angle de la porte, soulever celle-ci vers le haut d'environ 3/4 po (1,9 cm) pour décrocher les charnières des logements, puis tirer la porte vers vous jusqu'à ce que les charnières se dégagent du bâti du four.
6. Placer la porte dans un endroit pratique et stable pour le nettoyage.

Pour remettre la porte du four en place :

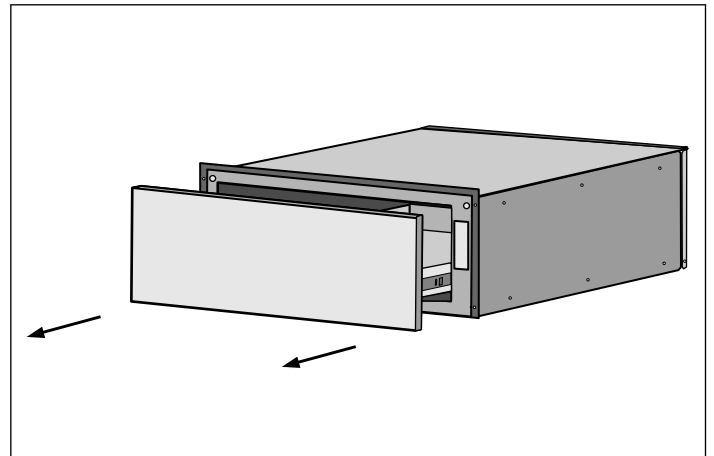


1. Maintenir la porte fermement avec les deux mains en l'ayant saisie par les côtés et non pas par la poignée.
2. Incliner légèrement la porte vers vous jusqu'à ce qu'elle s'ouvre en sa partie supérieure d'environ 7 po (17,7 cm).
3. Faire glisser les charnières dans les logements aussi loin que possible, puis abaisser la porte tout droit vers le bas. L'angle que forme la porte devra éventuellement être légèrement ajusté pour permettre aux charnières de s'engager correctement et à la porte de se mettre en place lorsqu'elle est abaissée. La porte doit s'abaisser d'environ 3/4 po (1,9 cm) et s'arrêter. Si cela n'est pas le cas, les charnières ne se sont pas correctement engagées et la porte pourrait tomber une fois libérée.
4. Une fois les deux charnières complètement engagées comme décrit à l'étape 3, ouvrez entièrement la porte avec précaution.



5. Poussez les leviers sur les deux charnières vers le haut jusqu'à ce qu'ils soient bloqués dans le logement en affleurement de la partie avant du bâti du four.
6. Fermer et ouvrir la porte lentement pour s'assurer qu'elle est correctement et solidement installée.

2. En prenant les deux côtés du tiroir et en tirant droit et vers vous, retirez soigneusement le compartiment du tiroir. Cette étape pourrait nécessiter une force légère à modérée pour retirer complètement le tiroir.



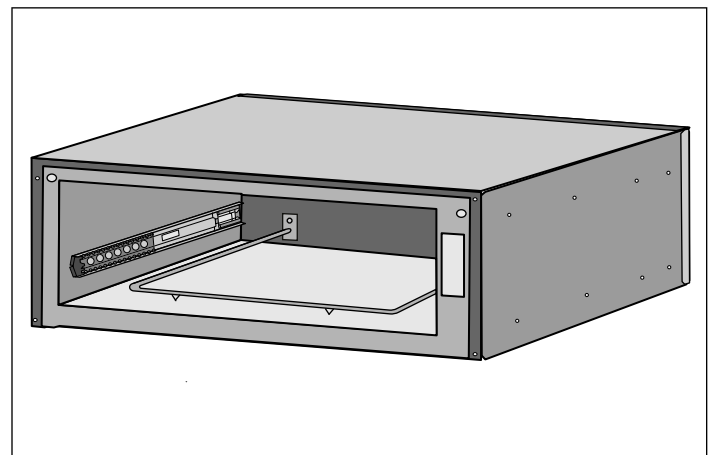
Entretien du tiroir-réchaud

Démontage du tiroir

⚠ ATTENTION

Pour éviter le risque de brûlure, ne pas enlever le tiroir tant qu'il est chaud. S'assurer que le tiroir est vide avant de l'enlever.

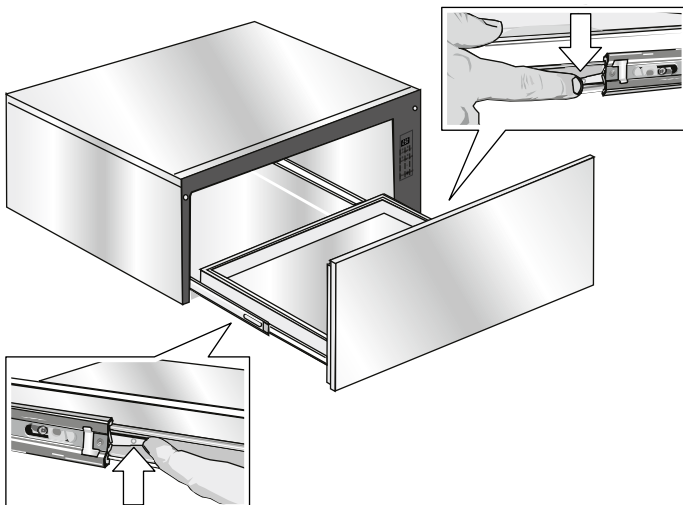
3. Installation ou entretien (nettoyage) du compartiment sans le tiroir.



Retirer le tiroir de son compartiment

AVIS : Les instructions qui suivent sont celles recommandées par le fabricant pour retirer et installer le tiroir de façon à réduire le risque d'endommager le mécanisme PPO.

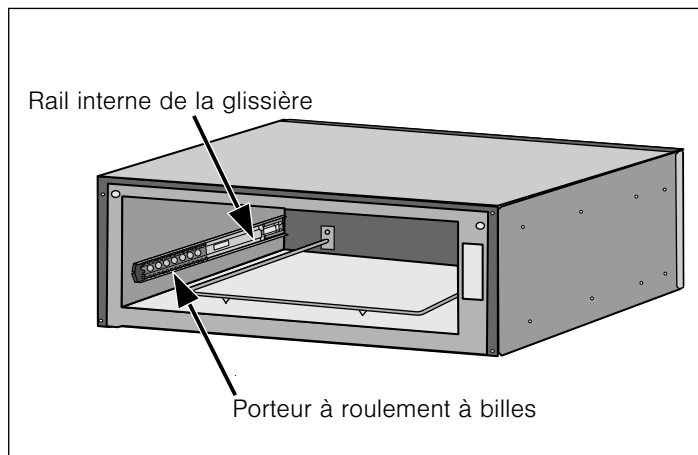
1. Retirez le tiroir de son compartiment.
 - Tirez sur le tiroir jusqu'à son ouverture complète.
 - Appuyez sur le levier de dégagement du tiroir à droite.
 - Relevez le levier de dégagement du tiroir à gauche.
 - Tirez fermement le tiroir du compartiment.
 - Rentrez les glissières de l'armoire une fois le tiroir retiré.



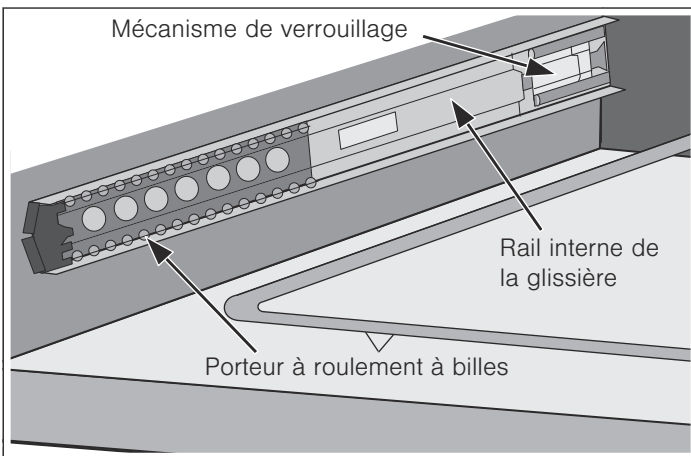
Installation du tiroir dans le compartiment

Les glissières fixées sur chaque côté du compartiment possèdent deux pièces mobiles : un rail intérieur et un porteur à roulement à billes qui doivent être placés de façon appropriée pour une installation et un alignement adéquats.

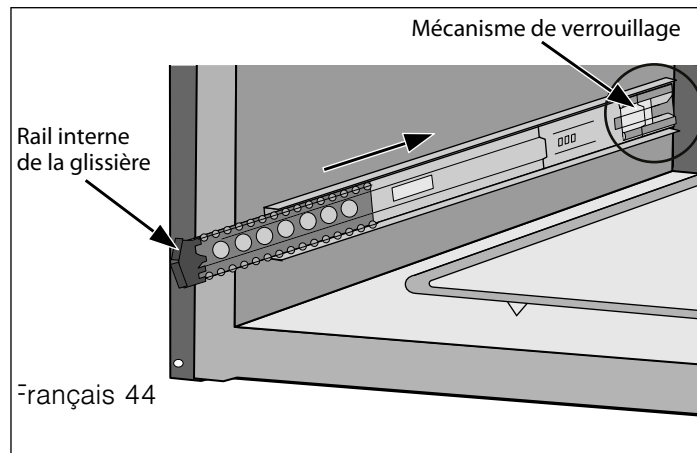
Un mécanisme de verrouillage se trouve également à l'arrière de chaque glissière.



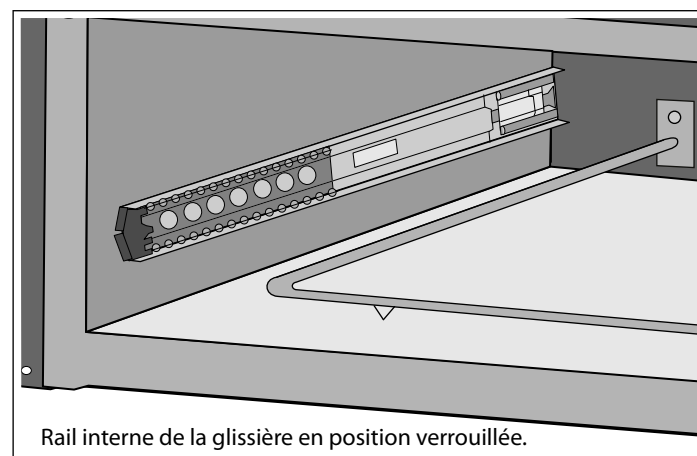
Remarque : Le compartiment du tiroir-réchaud devrait se trouver dans une position identique à celle de l'image ci-dessous avant de commencer l'installation. Le porteur à roulement à billes devrait être verrouillé en place dans le bout en plastique noir du rail intérieur situé sur la partie avant du rail intérieur.



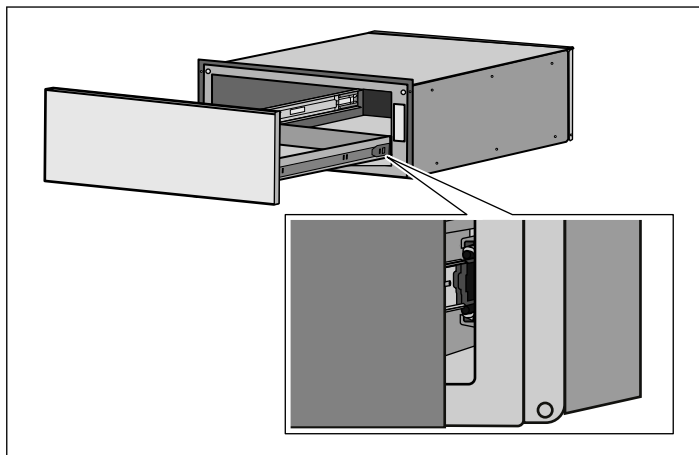
1. Sans que le tiroir ne soit en place, faites glisser le rail intérieur de la glissière jusqu'à la position de verrouillage du tiroir en poussant le rail intérieur de la glissière **vers l'arrière** jusqu'à ce qu'elle se verrouille en place.



Remarque : Une force modérée exercée sur le mécanisme de verrouillage du porteur à roulement à billes noir en plastique est requise pour placer la glissière dans la position de verrouillage du tiroir. Le tiroir est verrouillé lorsqu'il demeure en place et ne revient pas automatiquement en position ouverte.

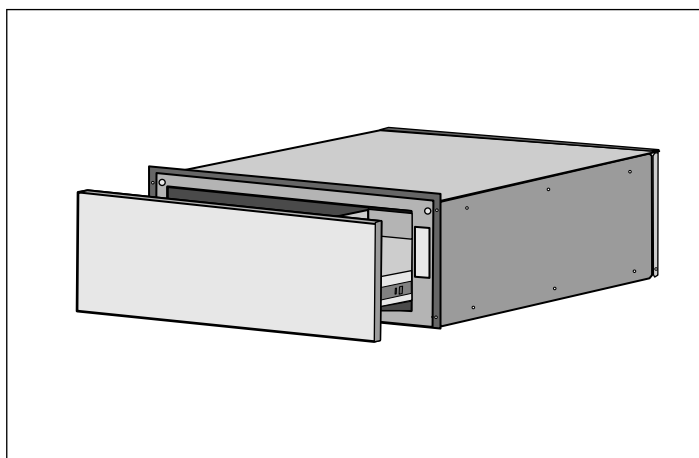


2. Placez l'assemblage du tiroir devant l'assemblage du compartiment et alignez le rail (bout en plastique du rail) avec l'assemblage du porteur à roulement à billes. Tout en gardant l'assemblage du tiroir droit et au niveau par rapport au compartiment, insérez doucement le tiroir dans l'assemblage du compartiment.



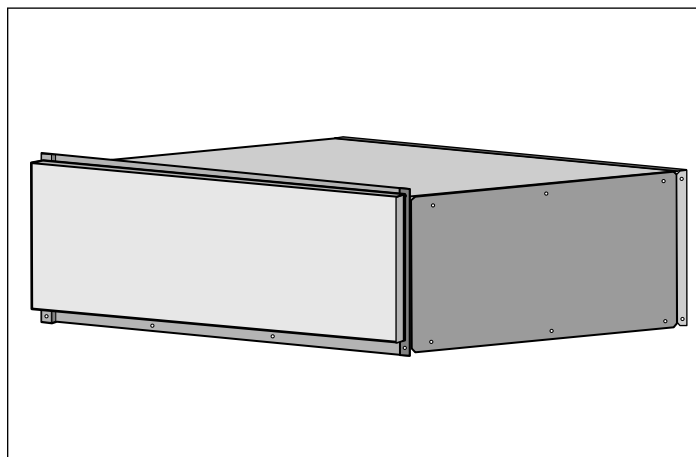
Remarques

- Une légère secousse de gauche à droite du tiroir pourrait être nécessaire pour assurer un alignement adéquat des roulements à billes.
 - **N'oubliez pas :** Vous tentez seulement d'aligner deux ensembles de roulements à billes à cette étape de l'installation. Si une force excessive doit être utilisée pour insérer le tiroir, retirez le tiroir et répétez la procédure d'installation.
3. Continuez d'insérer le tiroir, tout en gardant le tiroir droit et au niveau par rapport au compartiment, jusqu'à ce que sentiez une légère augmentation de la résistance à l'endroit approximatif indiqué ci-dessous.

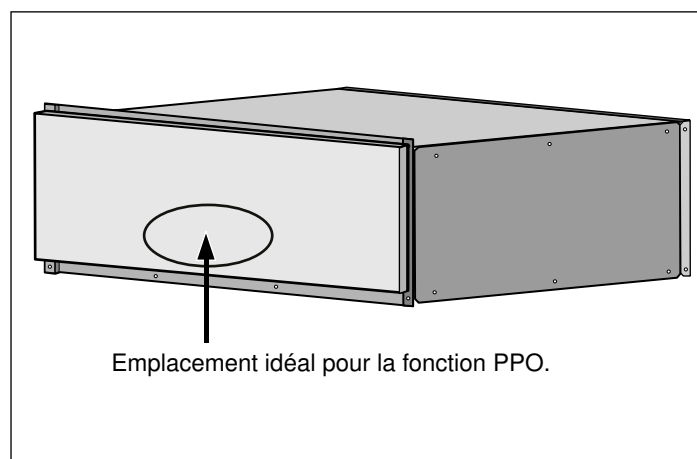


AVIS

- Dans cette position, une légère augmentation par petits coups de la force de fermeture à appliquer au tiroir est nécessaire pour assurer un alignement optimal et un fonctionnement approprié du tiroir.
- Vous devriez entendre un déclic lorsque le tiroir est fermé de façon appropriée, ce qui signifiera que le tiroir est également verrouillé en position fermée.



4. Vérifiez le fonctionnement du tiroir PPO en poussant sur le centre de la portion inférieure de l'avant du tiroir (l'endroit optimal pour la fonction).



Remarque : Il est à noter que l'endroit optimal recommandé pour l'ouverture du tiroir est la portion inférieure de l'avant du tiroir. Le tiroir fonctionne lorsqu'une pression est appliquée à n'importe quel endroit sur l'avant du tiroir, mais une pression accrue pourrait être nécessaire pour activer le mécanisme d'ouverture à certains endroits.

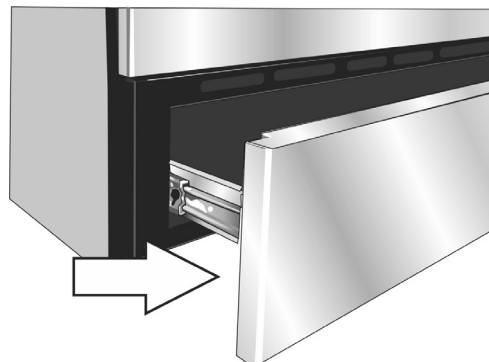
Dépannage

Comment obtenir des services de dépannage ou des pièces

Pour contacter un technicien de dépannage, consultez les coordonnées sur la couverture avant du manuel. Lorsque vous téléphonez, soyez prêt à fournir les informations imprimées sur la plaque signalétique de votre produit.

Plaque signalétique du produit

La plaque signalétique comporte le numéro de modèle et le numéro de série. Se reporter à la plaque signalétique de l'appareil électroménager pour faire une demande de dépannage. La plaque signalétique se trouve au dos de la façade du tiroir. Ouvrez le tiroir pour la voir.



Aide sans assistance

Dépannage de la table de cuisson

Essayez ces suggestions avant de contacter un service de dépannage pour éviter les frais de service.

Problème concernant la table de cuisson	Causes possibles et solutions suggérées
Le(s) brûleur(s) ne s'allume(nt) pas / Les allumeurs ne font pas d'étincelle	<ul style="list-style-type: none">• S'assurer que le robinet d'arrêt de gaz est dans la position ouverte (ON) et que l'alimentation en gaz à la résidence n'est pas fermée.• S'assurer que les capuchons de brûleurs sont adéquatement positionnés et que les orifices de combustion ne sont pas bouchés. Si besoin est, nettoyer les orifices avec un fil de métal ou un trombone étiré.• S'assurer que les allumeurs sont propres et secs.• Vérifier l'alimentation électrique. Elle doit être adéquatement mise à la terre avec la polarité appropriée. S'assurer que l'appareil est branché et que le disjoncteur n'est pas déclenché.
La flamme du brûleur s'éteint à l'improviste	<ul style="list-style-type: none">• S'assurer qu'il n'y a pas de courant d'air dans la pièce.
Les allumeurs font des étincelles même si les boutons sont en position d'arrêt.	<ul style="list-style-type: none">• Lorsque la connexion électrique est activée lors de la première mise en marche ou réactivée après une panne de courant, les allumeurs peuvent faire une ou deux étincelles, même si tous les boutons de brûleurs sont en position d'arrêt.
Les résultats de cuisson ne sont pas satisfaisants	<ul style="list-style-type: none">• La table de cuisson n'est pas de niveau.• L'ustensile de cuisson ne correspond pas à la surface utilisée.• L'ustensile de cuisson n'est pas du type ou de la taille recommandée.

Problème concernant la table de cuisson	Causes possibles et solutions suggérées
L'eau met trop de temps pour bouillir	La durée de mise à ébullition varie considérablement en fonction des conditions ambiantes. Voir « Faire bouillir de l'eau » dans le présent manuel pour des conseils sur la façon de réduire le temps de mise à ébullition.

Dépannage du four

Essayez ces suggestions avant de contacter un service de dépannage pour éviter les frais de service.

Problème concernant le four	Causes possibles et solutions suggérées
Le mode du four ou la température sélectionnés ou les chiffres sélectionnés ne s'affichent pas à l'écran	Revoir les instructions figurant dans le manuel pour le réglage de l'horloge, de la minuterie ou du mode Nettoyage Auto.
La porte du four est verrouillée et ne se libère pas, même après que le four ait refroidi.	Mettre le four hors circuit au coupe-circuit et attendre 5 minutes. Remettre le disjoncteur en circuit. Le four devrait se réinitialiser et être fonctionnel.
Le four ne chauffe pas	Vérifier le coupe-circuit ou le coffret à fusibles de la résidence. S'assurer que l'alimentation électrique est adéquate. S'assurer que la température du four a été sélectionnée.
Le four ne cuit pas uniformément	Au besoin, réaliser l'étalonnage du four (voir « <i>Température compensée du four</i> », page 22). Se reporter aux tableaux de cuisson pour les recommandations relatives aux positions de grilles.
Les résultats de cuisson ne sont pas satisfaisants	Se reporter aux tableaux de cuisson pour les recommandations relatives aux positions de grilles. Consulter « <i>Tirer le meilleur parti de votre four</i> », page 28, pour des conseils et des suggestions. Au besoin, réaliser l'étalonnage du four (voir « <i>Température compensée du four</i> », page 22).
La durée de cuisson des aliments est plus longue que prévue	Le four est soigneusement calibré afin de fournir des résultats précis. Toutefois, si les aliments sont systématiquement trop ou pas assez dorés, la température peut être ajustée pour compenser. Voir « <i>Température compensée du four</i> », page 22.
Les aliments sont trop cuits.	Le four est soigneusement calibré afin de fournir des résultats précis. Toutefois, si les aliments sont systématiquement trop ou pas assez dorés, la température peut être ajustée pour compenser. Voir « <i>Température compensée du four</i> », page 22.
Les modes Cuisson par Convection ou Convection Multi-Rack ne donnent pas les résultats escomptés	Si la fonction Conversion Convection Auto est désactivée, la température doit être réduite manuellement de 25 °F (14 °C). Si cette fonction est activée, la température est automatiquement ajustée. Pour de plus amples informations, voir « ACTIVER ou DÉACTIVER la fonction Conversion Convection Auto ». Se reporter aux tableaux de cuisson et aux conseils sur les positions de grille, les temps de cuisson et le choix des ustensiles de cuisson. Au besoin, procéder à l'étalonnage du four. Voir « <i>Température compensée du four</i> », page 22.
La température du four est trop élevée ou trop basse	Le thermostat du four doit être réglé. Voir « <i>Température compensée du four</i> », page 22.
L'éclairage du four fonctionne mal.	Remplacer l'ampoule ou la remettre en place si elle a du jeu ou si elle est défectueuse. Toucher l'ampoule avec les doigts peut la faire griller.

Problème concernant le four	Causes possibles et solutions suggérées
Impossible d'éteindre l'éclairage du four.	Vérifier s'il y a obstruction de la porte du four. Vérifier si la charnière est tordue. Lorsque la fonction Shabbat est activée, l'éclairage du four reste allumé ou éteint (en fonction de la sélection effectuée pendant l'installation) pendant toute la durée du mode Shabbat.
Impossible de retirer la lentille de la lampe.	Il peut y avoir une accumulation de saleté autour de la lentille. Essuyer avec un chiffon propre et sec avant de retirer le couvercle.
La fonction d'autonettoyage du four fonctionne mal.	Laisser refroidir le four avant d'exécuter le cycle d'autonettoyage. Toujours essuyer les saletés et les déversements importants avant d'exécuter le cycle d'autonettoyage. Si le four est très sale, programmez-le pour une durée d'autonettoyage maximum. Voir Préparation du four pour l'autonettoyage.
L'horloge et la minuterie fonctionnent mal.	S'assurer que le four est sous tension. Voir les sections Horloge et Minuterie.
La porcelaine s'ébrèche	Lorsque vous retirez et remettez en place les grilles du four, veillez à toujours les incliner vers le haut et à ne pas forcer pour les introduire dans le four pour éviter que la porcelaine ne s'ébrèche.
Un « F » et un numéro s'affichent à l'écran et le panneau de commande émet un signal sonore.	Ceci est un code d'erreur. Appuyer sur Off (Désactiver) pour effacer l'écran et mettre fin au signal sonore. Au besoin, réinitialiser le four. Si un code d'erreur reste affiché et que le signal sonore ne s'arrête pas, notez le code d'erreur, annuler le four et appeler un technicien en entretien et en réparation agréé.
Une forte odeur se dégage de la cuisinière neuve lorsqu'elle est mise sous tension	Ceci est normal pour une cuisinière neuve et disparaîtra après quelques utilisations. Actionner le cycle d'autonettoyage éliminera l'odeur plus rapidement.
Le panneau de commande ne répond pas lorsqu'une touche est activée	S'assurer que le pavé tactile est propre. Toucher le centre de la touche à effleurement. Utiliser le plat du doigt.
Le ventilateur fonctionne pendant les modes de cuisson qui n'utilisent pas le mode Convection	Sur certains modèles, le ventilateur à convection fonctionne pendant que l'on fait préchauffer le four pour le mode Cuisson. Ceci est normal. Les modèles coulissants sont également dotés d'un ventilateur de refroidissement qui fonctionne pendant chaque mode de cuisson.
De l'air chaud ou de la vapeur s'échappent de l'évent du four.	Il est normal de voir ou de sentir de la vapeur ou de l'air chaud s'échapper de l'évent du four. Ne pas obstruer l'évent.
Le ventilateur de refroidissement fonctionne alors que le four a été éteint (cuisinières coulissantes uniquement)	Ceci est normal. Lorsque le four aura refroidi et qu'il aura atteint une température prédéfinie, le ventilateur de refroidissement s'éteint.
La table de cuisson ne fonctionne pas pendant le cycle autonettoyant	Ceci est normal pour certains modèles. Le fonctionnement sera rétabli une fois le cycle autonettoyant terminé.

Énoncé de Garantie Limitée du Produit

Couverture de la garantie et à qui elle s'applique

La garantie limitée fournie par BSH Home Appliances « Bosch » dans le présent énoncé de garantie limitée du Produit s'applique seulement à l'appareil Bosch qui vous est vendu, le premier acheteur à l'utiliser, à la condition que le Produit ait été acheté :

- pour votre usage domestique (non commercial) normal et qu'il ait effectivement, en tout temps, été utilisé à des fins domestiques normales;
- à l'état neuf au détail (et non comme un modèle d'exposition, « en l'état » ou un modèle préalablement retourné), et non pour la revente ou l'utilisation commerciale;
- aux États-Unis ou au Canada, et qu'il soit en tout temps demeuré dans le pays de l'achat d'origine.

Les garanties aux présentes s'appliquent à l'acheteur original du Produit sous garantie et à tout propriétaire successif du produit acheté pour une utilisation résidentielle habituelle et la durée de la garantie.

Assurez-vous de retourner votre carte d'enregistrement; quoique que cela ne soit pas nécessaire pour que la couverture de la garantie prenne effet, c'est le meilleur moyen pour que Bosch puisse vous prévenir dans l'éventualité improbable d'un avis de sécurité ou d'un rappel de produit.

Durée de la garantie

Bosch garantit que le Produit est exempt de défauts de matériaux et de fabrication pendant une période de trois cent soixante-cinq (365) jours à compter de la date d'achat. Cette période commence à courir à partir de la date d'achat et ne sera pas retardée, restreinte, prolongée ni suspendue pour quelque raison que ce soit.

Ce Produit est également garanti contre tout défaut de matériau et de fabrication apparent (tels les éraflures sur l'acier inoxydable, les défauts d'aspect de la peinture ou de la porcelaine, les ébréchures, les bosselures, ou autres dégâts au fini du Produit), pendant une période de trente (30) jours à compter de la date d'achat ou de la date de clôture pour une nouvelle construction. Cette garantie relative à l'apparence exclut les légères variations de couleur découlant des différences inhérentes aux pièces peintes et en porcelaine, ainsi que découlant des différences causées par l'éclairage de cuisine, l'emplacement du produit, ou d'autres facteurs similaires.

Cette garantie relative à l'apparence exclut plus particulièrement tout appareil électroménager de présentation, en montre, « En l'état » ou de stock « B ».

La réparation ou le remplacement du Produit comme recours exclusif

Pendant cette période de garantie, Bosch ou l'un de ses prestataires de services agréés réparera le produit sans frais de votre part (sous réserve de certaines limitations énoncées aux présentes) s'il s'avère que la fabrication de votre produit présente un défaut de matière ou de fabrication. Si des tentatives raisonnables de réparation du produit ont été faites sans succès, alors Bosch remplacera le produit (des modèles mis à niveau peuvent être mis à votre disposition), à la seule discrétion de Bosch, moyennant des frais supplémentaires). Tout composant ou pièce enlevés deviennent la propriété de Bosch, à sa seule option. Toute pièce remplacée et/ou réparée doit assumer l'identité de la pièce d'origine aux fins de la présente garantie, et cette dernière ne sera pas prolongée au regard de ces pièces. La seule obligation et responsabilité de Bosch en vertu des présentes est de réparer seulement le produit présentant un défaut de fabrication, par l'entremise d'un prestataire de services agréé Bosch aux heures normales de travail. Pour des questions de sécurité et de dommages à la propriété, Bosch recommande vivement de ne pas tenter de réparer soi-même le produit, ni d'utiliser un service de réparation non autorisé. Bosch décline toute responsabilité pour les réparations ou le travail effectués par un service de réparation non autorisé. Si vous choisissez de faire réparer le produit par une personne autre qu'un prestataire de services agréé, CETTE GARANTIE DEVIENDRA AUTOMATIQUEMENT NULLE ET NON AVENUE. Les prestataires de services agréés sont des personnes ou des compagnies qui ont été spécialement formées pour les produits Bosch et qui possèdent, de l'avis de Bosch, une excellente réputation pour le service à la clientèle et des aptitudes techniques (il est à noter qu'il s'agit d'entités indépendantes et non des agents, partenaires, affiliés ou représentants de Bosch). Néanmoins, Bosch n'assumera aucune responsabilité ou obligation à l'égard du produit s'il est situé dans une région éloignée (plus de 100 miles (160,9 km) d'un prestataire de services agréé) ou s'il est raisonnablement inaccessible ou à un endroit, dans une zone ou dans un environnement dangereux, menaçants ou hasardeux; dans un tel cas, si vous en faites la demande, Bosch pourrait payer les frais de main-d'œuvre et de pièce et expédier les pièces au prestataire de service agréé le plus proche, mais vous seriez quant même entièrement responsable pour tout déplacement ou autres frais spéciaux requis par le service

de réparation, à supposer qu'il accepte d'effectuer un appel de service.

Produit qui n'est plus couvert par la garantie

Bosch n'est nullement tenu, en droit ou autrement, de vous offrir toute concession, y compris réparations, tarifs proportionnels ou remplacement de Produit, une fois la garantie expirée.

Exclusions de la garantie

La couverture de garantie décrite aux présentes exclut tout défaut ou dommage ne découlant pas d'une faute directe de Bosch, y compris sans limitation, un ou plusieurs des cas suivants :

- utilisation du produit d'une façon autre que normale, habituelle et prévue (y compris, sans limitation, toute forme d'utilisation commerciale, utilisation ou rangement d'un produit pour l'intérieur à l'extérieur, utilisation du Produit avec des aéronefs ou bateaux);
- mauvaise conduite volontaire de toute partie, conduite négligente, mauvaise utilisation, abus, accidents, négligence, exploitation irrégulière, manquement à l'entretien, installation inadéquate ou négligée, altération, manquement à observer les instructions de fonctionnement, manipulation sans précaution, service non autorisé (y compris le « bricolage » fait soi-même ou l'exploration du fonctionnement interne de l'appareil);
- réglage, altération ou modification de toute sorte;
- manquement à se conformer à tous les codes électriques, de plomberie et/ou de construction de l'état, locaux, municipaux ou du comté, règlements ou lois en vigueur, y compris le manquement à installer le produit strictement en conformité avec les codes et règlements d'incendie et de construction locaux;
- usure et détérioration normales, déversements d'aliments, liquides, accumulation de graisse, ou autres substances accumulées sur, dans ou autour du produit;
- et toute force et facteur externes, élémentaires et/ou environnementaux, y compris sans limitation, pluie, vent, sable, inondations, incendies, glissements de terrain, gel, humidité excessive ou exposition prolongée à l'humidité, foudre, surtensions, défauts de structure environnante de l'appareil, et catastrophes naturelles.

BSH ne sera en aucun cas responsable, de quelque manière que ce soit, des dommages occasionnés aux biens environnants, y compris les armoires de rangement, les planchers, les plafonds et les autres structures ou objets qui se trouvent aux alentours du Produit. Sont également exclus de la présente garantie les Produits dont les numéros de série ont été modifiés, effacés ou enlevés; les visites après-vente pour vous enseigner à utiliser le Produit, ou les déplacements lorsque le Produit ne

présente aucun problème; la correction de problèmes d'installation (vous êtes entièrement responsable de toute structure et réglage du Produit, y compris électricité, plomberie ou autres services utilitaires, pour un plancher/des fondations appropriés et pour toute modification y compris, sans limitation, armoires, murs, planchers, étagères, etc.); et la remise en fonction des coupe-circuits ou fusibles.

DANS LA MESURE OU LA LOI LE PERMET, LA PRÉSENTE GARANTIE ÉNONCE VOS RECOURS EXCLUSIFS À L'ÉGARD DU PRODUIT, QUE LA RÉCLAMATION SOIT DE NATURE CONTRACTUELLE OU DÉLICTEUELLE (Y COMPRIS LA RESPONSABILITÉ ABSOLUE OU LA NÉGLIGENCE) OU AUTRE. LA PRÉSENTE GARANTIE REMPLACE TOUTES LES AUTRES GARANTIES, EXPRESSES OU IMPLICITES. TOUTE GARANTIE IMPLICITE EN VERTU DE LA LOI, QUE CE SOIT À DES FINS DE QUALITÉ MARCHANDE OU D'ADAPTATION À UN BUT PARTICULIER, OU AUTREMENT, EST EN VIGUEUR UNIQUEMENT PENDANT LA PÉRIODE AU COURS DE LAQUELLE LA PRÉSENTE GARANTIE LIMITÉE EXPRESSE EST EN VIGUEUR. LE FABRICANT NE SERA EN AUCUN CAS RESPONSABLE DES DOMMAGES, PERTES OU FRAIS CONSÉCUTIFS, PARTICULIERS, ACCESSOIRES, INDIRECTS, ET/OU PUNITIFS, DES PERTES COMMERCIALES, Y COMPRIS, NOTAMMENT, LE TEMPS D'ABSENCE AU TRAVAIL, L'HÉBERGEMENT ET/OU LES REPAS AU RESTAURANT, LES FRAIS DE REMANIEMENT EN EXCÉDENT DES DOMMAGES DIRECTS QUI SONT MANIFESTEMENT CAUSÉS EXCLUSIVEMENT PAR BOSCH OU AUTREMENT. CERTAINS ÉTATS NE PERMETTENT PAS L'EXCLUSION OU LA LIMITATION DES DOMMAGES ACCESSOIRES OU INDIRECTS ET CERTAINS ÉTATS NE PERMETTENT PAS LA LIMITATION SUR LA DURÉE D'UNE GARANTIE IMPLICITE, DE SORTE QUE LES LIMITATIONS CI-DESSUS PEUVENT NE PAS S'APPLIQUER À VOTRE CAS. LA PRÉSENTE GARANTIE VOUS DONNE DES DROITS JURIDIQUES SPÉCIFIQUES ET VOUS POUVEZ AVOIR ÉGALEMENT D'AUTRES DROITS QUI VARIENT D'UN ÉTAT À L'AUTRE.

Aucune tentative de modification, changement ou amendement à la présente garantie ne prendra effet à moins d'être autorisée par écrit par un membre de la direction de BSH.

Procédure d'obtention du service prévu par la garantie :

Pour obtenir un service au titre de la garantie pour votre Produit, veuillez communiquer avec le centre de service après-ventes agréé de Bosch le plus proche.

BSH Home Appliances - 1901 Main Street, Suite 600, Irvine, CA 92614 / 800-944-2904.

Tableaux de cuisson

PRODUITS DE BOULANGERIE/PLATS PRINCIPAUX

Aliments	Recommandés Mode de cuisson	Four Température	Pré- chauffer le four	Nombre de grilles	Position de grille	Durée (min)	Taille et type d'ustensile
Gâteaux							
Gâteau des anges	Cuisson par Convection	325 °F (160 °C)	Oui	Une	1	35 - 50	moule à savarin de 10 po
Savarin	Cuisson par Convection	325 °F (160 °C)	Oui	Une	2	45 - 65	moule à savarin de 12 tasses
Petits gâteaux	Conv. Multi-Rack	325 °F (160 °C)	Oui	Une	3	17 - 27	moule à muffins de 12 alvéoles
	Conv. Multi-Rack	325 °F (160 °C)	Oui	Plusieurs	2 & 5	17 - 27	moule à muffins de 12 alvéoles
	Conv. Multi-Rack	325 °F (160 °C)	Oui	Plusieurs	1, 3, & 5	17 - 27	moule à muffins de 12 alvéoles
Ronds de gâteaux	Cuisson par Convection	325 °F (160 °C)	Oui	Une	3	28 - 40	Rond de gâteau de 8 ou 9 po (20 ou 23 cm)
	Cuisson par Convection	325 °F (160 °C)	Oui	Plusieurs	2 & 5	28 - 40	rond de gâteau de 8 ou 9 po (20 ou 23 cm)
Gâteau mince	Cuisson par Convection	325 °F (160 °C)	Oui	Une	3	45 - 60	13 po X 9 po X 2 po (33 X 22 X 5 cm)
Biscuits							
Brownies	Cuisson par Convection	325 °F (160 °C)	Oui	Une	3	33 - 40	carré de 8 ou 9 po (20 ou 23 cm)
Aux copeaux de chocolat	Conv. Multi-Rack	325 °F (160 °C)	Oui	Une	3	8 - 17	tôle à biscuits
	Conv. Multi-Rack	325 °F (160 °C)	Oui	Plusieurs	2 & 5	8 - 17	tôle à biscuits
	Conv. Multi-Rack	325 °F (160 °C)	Oui	Plusieurs	1,3, & 5	8 - 17	tôle à biscuits
Barres-biscuits	Cuisson par Convection	325 °F (160 °C)	Oui	Une	3	23 - 33	carré de 8 ou 9 po (20 ou 23 cm)
Sablés	Conv. Multi-Rack	325 °F (160 °C)	Oui	Une	3	8 - 10	tôle à biscuits
	Conv. Multi-Rack	325 °F (160 °C)	Oui	Plusieurs	2 & 5	8 - 10	tôle à biscuits
	Conv. Multi-Rack	325 °F (160 °C)	Oui	Plusieurs	1,3, & 5	8 - 10	tôle à biscuits
Plats principaux/Légumes							
Ragoûts	Cuisson	température de la recette.	Oui	Une	3	durée indiquée par la recette	plat allant au four
Quiche	Cuisson	375 °F (190 °C)	Oui	Une	2	30 - 40	plat à tarte
Soufflé	Cuisson	325 °F (162 °C)	Oui	Une	3	45 - 55	moule à soufflés
Légumes	Rôtissage Convection	recette	Non	Une	3	recette	tôle à biscuits

Les tableaux peuvent être utilisés comme guides. Suivre les conseils de préparation de la recette ou de l'emballage.

Les températures de convection ont été diminuées de 25 °F par rapport aux conseils de préparation de la recette ou de l'emballage.

PRODUITS DE BOULANGERIE/PLATS PRINCIPAUX

Aliments	Recommandés Mode de cuisson	Four Température	Pré- chauffer le four	Nombre de grilles	Position de grille	Durée (min)	Taille et type d'ustensile
Pâtisseries							
Choux à la crème	Conv. Multi-Rack	400 °F (204 °C)	Oui	Une	3	23 - 33	tôle à biscuits
	Conv. Multi-Rack	400 °F (204 °C)	Oui	Plusieurs	2 & 5	23 - 33	tôle à biscuits
	Conv. Multi-Rack	400 °F (204 °C)	Oui	Plusieurs	1,3 & 5	23 - 33	tôle à biscuits
Pâte feuilletée	Conv. Multi-Rack	375 °F (190 °C)	Oui	Une	3	10 - 12	tôle à biscuits
Tartes							
1 fond de tarte	Cuisson par Convection	475 °F (246 °C)	Oui	Une	2	8 - 12	moule à tarte de 9 po (23 cm)
2 fonds, fruits	Cuisson par Convection	375 °F (190 °C)	Oui	Une	2	45 - 60	moule à tarte de 9 po (23 cm)
Congelées	Cuisson par Convection	375 °F (190 °C)	Oui	Une	3	70 - 85	moule à tarte de 9 po (23 cm)
Meringue	Cuisson	350 °F (177 °C)	Oui	Une	2	10 - 15	moule à tarte de 9 po (23 cm)
Tarte aux pacanes	Cuisson	350 °F (177 °C)	Oui	Une	2	45 - 60	moule à tarte de 9 po (23 cm)
Tarte à la citrouille	Cuisson	425 °F/ 350 °F (218 °C/ 177 °C)	Oui	Une	2	15/35 - 45	moule à tarte de 9 po (23 cm)
Pizza							
Pierre de cuisson	Pizza	425 °F (218 °C)	Oui	Une	2	durée indi- quée par la recette	Pierre de cuisson
Fraîche	Pizza	425 °F (218 °C)	Oui	Une	2	durée indi- quée par la recette	plaque à pizza
Croûte épaisse, Congelée	Pizza	voir emballage	Oui	Une	voir embal- lage	durée indi- quée sur emballage	instructions de l'emballage
Croûte mince, Congelée	Pizza	voir emballage	Oui	Une	voir embal- lage	durée indi- quée sur emballage	instructions de l'emballage
Pains rapides							
Biscotines	Conv. Multi-Rack	325 °F (160 °C)	Oui	Une	3	10 - 20	tôle à biscuits
	Conv. Multi-Rack	325 °F (160 °C)	Oui	Plusieurs	2 & 5	10 - 20	tôle à biscuits
Pain	Cuisson par Convection	350 °F (177 °C)	Oui	Une	2	48 - 60	moule à pain de 8 x 4 po (20,3 x 10,2 cm)
Muffins	Conv. Multi-Rack	400 °F (204 °C)	Oui	Une	3	14 - 25	moule à muffins de 12 alvéoles
	Conv. Multi-Rack	400 °F (204 °C)	Oui	Plusieurs	2 & 5	14 - 25	moule à muffins de 12 alvéoles
Pains à la levure							
Petits pains mollets	Conv. Multi-Rack	375 °F (190 °C)	Oui	Une	3	10 - 20	tôle à biscuits
	Conv. Multi-Rack	375 °F (190 °C)	Oui	Plusieurs	2 & 5	10 - 20	tôle à biscuits
	Conv. Multi-Rack	375 °F (190 °C)	Oui	Plusieurs	1, 3, & 5	10 - 20	tôle à biscuits
Pain	Cuisson par Convection	400 °F (204 °C)	Oui	Une	2	22 - 35	moule à pain de 9 x 5 po (22,8 x 12,7 cm)

PRODUITS DE BOULANGERIE/PLATS PRINCIPAUX

Aliments	Recommandés Mode de cuisson	Four Température	Pré- chauffer le four	Nombre de grilles	Position de grille	Durée (min)	Taille et type d'ustensile
Brioches	Conv. Multi-Rack	325 °F (160 °C)	Oui	Une	3	20 - 25	tôle à biscuits

Les tableaux peuvent être utilisés comme guides. Suivez les conseils de préparation de l'emballage ou de la recette.

Les températures de convection ont été diminuées de 25 °F par rapport aux conseils de préparation de la recette ou de l'emballage.

VIANDES

Aliments	Mode de cuisson recommandé	Température du four	Position des grilles	Température interne	Durée de cuisson en min. sauf indication contraire	Aliments couverts	Durée de repos
Bœuf							
Rôti de palette, 2 - 3 lb (0,9 - 1,3 kg)	Rôtissage	350 °F (177 °C)	2	Bien cuit, 170 °F (77 °C)	1 1/2 - 2 heures	Oui	aucun
Hamburgers, 3/4 - 1 po (2 - 2,5 cm) d'épaisseur	Cuisson Gril	Élevé	6	À point, 160 °F (71 °C)	1er côté : 5 - 8 2ème côté : 4 - 6	Non	aucun
Faux-filet, désossé, 3 - 3,5 lb (1,3 - 1,6 kg)	Rôtissage Convection	325 °F (160 °C)	2	Mi-saignant, 145 °F (63 °C)	27 - 31 min/lb	Non	10 - 15 min
Faux-filet, désossé, 3 - 3,5 lb (1,3 - 1,6 kg)	Rôtissage Convection	325 °F (160 °C)	2	À point, 160 °F (71 °C)	30 - 38 min/lb	Non	10 - 15 min
Faux-filet, surlonge, sans os, 3 - 5,5 lb	Rôtissage Convection	325 °F (160 °C)	2	Mi-saignant, 145 °F (63 °C)	18 - 33 min/lb	Non	10 - 15 min
Faux-filet, surlonge, sans os, 3 - 5,5 lb	Rôtissage Convection	325 °F (160 °C)	2	À point, 160 °F (71 °C)	30 - 35 min/lb	Non	10 - 15 min
Steaks, 1 po (2,5 cm) d'épaisseur	Cuisson Gril	Élevée	6	Mi-saignant, 145 °F (63 °C)	1er côté : 5 - 8 2ème côté : 4 - 6	Non	aucun
Steaks, 1 po (2,5 cm) d'épaisseur	Cuisson Gril	Élevée	6	À point, 160 °F (71 °C)	1er côté : 8 - 9 2ème côté : 5 - 7	Non	aucun
Steaks, 1 1/2 po (3,8 cm) d'épaisseur	Cuisson Gril Convection	Élevée	4	Mi-saignant, 145 °F (63 °C)	1er côté : 11 - 14 2ème côté : 9 - 13	Non	aucun
Steaks, 1 1/2 po (3,8 cm) d'épaisseur	Cuisson Gril Convection	Élevée	4	À point, 160 °F (71 °C)	1er côté : 13 - 18 2ème côté : 11 - 14	Non	aucun
Filet, 2 - 3 lb	Rôtissage Convection	425 °F (218 °C)	2	Mi-saignant, 145 °F (63 °C)	15 - 24 min/lb	Non	5 min
Agneau							
Gigot, désossé, 2 - 3 lb	Rôtissage Convection	325 °F (160 °C)	2	À point, 145 °F (63 °C)	25 - 30 min/lb	Non	10 - 15 min
Gigot, désossé, 4 - 6 lb	Rôtissage Convection	325 °F (160 °C)	2	À point, 160 °F (71 °C)	30 - 35 min/lb	Non	10 - 15 min
Côtes, 1 po (2,5 cm) d'épaisseur	Cuisson Gril	3 - Élevée	4	Mi-saignant, 145 °F (63 °C)	1er côté : 4 - 6 2ème côté : 4 - 5	Non	aucun
Côtes, 1 po (2,5 cm) d'épaisseur	Cuisson Gril	3 - Élevée	4	À point, 160 °F (71 °C)	1er côté : 5 - 7 2ème côté : 5 - 6	Non	aucun
Porc							
Tranches de jambon 1/2 po (1,3 cm) d'épaisseur	Cuisson Gril	3 - Élevée	5	160 °F (71 °C)	1er côté : 4 - 5 2ème côté : 3 - 4	Non	aucun

VIANDES

Aliments	Mode de cuisson recommandé	Température du four	Position des grilles	Température interne	Durée de cuisson en min. sauf indication contraire	Aliments couverts	Durée de repos
Rôti de longe, 1/2 - 3 lb	Rôtissage Convection	350 °F (177 °C)	2	145 °F (63 °C) 160 °F (71 °C)	16 - 30 min/lb 19 - 36 min/lb	Non	30 min 10 - 15 min
Rôti de longe, 3 - 6 lb	Rôtissage Convection	350 °F (177 °C)	2	145 °F (63 °C) 160 °F (71 °C)	16 - 30 min/lb 14 - 23 min/lb	Non	30 min 10 - 15 min

Les tableaux peuvent être utilisés comme guides. Suivez les instructions de l'emballage ou de la recette.

Les durées de rôtissage sont approximatives et peuvent varier en fonction de la forme de la pièce de viande.

Le rôtissage de la dinde farcie prend plus de temps. La température minimale sûre de cuisson de la farce dans une volaille est de 165 °F (74 °C).

REMARQUE : Les températures internes des aliments sont recommandées par l'USDA et doivent être mesurées avec un thermomètre de cuisson numérique.

Porc							
Côtes, 1 po (2,5 cm) d'épaisseur	Cuisson Gril	Bas	3	145 °F (63 °C)	1er côté : 5 - 9	Non	3 min
		Bas		160 °F (71 °C)	2ème côté : 8 - 11 1er côté : 8 - 10 2ème côté : 8 - 9		
Côtes, 1 1/2 po (3,8 cm) d'épaisseur	Cuisson Gril Convection	Élevé	4	160 °F (71 °C)	1er côté : 9 - 11 2ème côté : 8 - 10	Non	aucun
Saucisse, fraîche	Cuisson Gril	Élevé	4	170 °F (77 °C)	1er côté : 3 - 6 2ème côté : 2-4	Non	aucun
Filet, 2 - 3 lb	Rôtissage Convection	425 °F (218 °C)	3	145 °F (63 °C)	18 - 28 min/lb	Non	5 - 10 min 3 min
				160 °F (71 °C)	20 - 27 min/lb		
Volaille							
Poulet							
Poitrines avec os	Cuisson Gril Convection	Bas	3	170 °F (77 °C)	1er côté : 20 - 28 2ème côté : 17 - 22	Non	aucun
Cuisse avec os	Cuisson Gril	Bas	3	180 °F (82 °C) dans la cuisse	1er côté : 14 - 16 2ème côté : 12 - 14	Non	aucun
Entier 3.5 - 8 lb	Rôtissage Convection	375 °F (190 °C)	2	180 °F (82 °C) dans la cuisse	13 - 20 min/lb	Non	aucun
Poulets de Cornouailles, 1-1 1/2 lb	Rôtissage Convection	350 °F (177 °C)	2	180 °F (82 °C) dans la cuisse	45 - 75 min, durée totale	Non	aucun
Dinde							
Poitrine, 4 - 8 lb	Rôtissage Convection	325 °F (160 °C)	2	170 °F (77 °C)	19 - 23 min /lb	Non	15 - 20 min pour un découpage facile
Non farcie, 12 - 19 lb	Rôtissage Convection	325 °F (160 °C)	1	180 °F (82 °C) dans la cuisse	9 - 14 min/lb	Aluminium pour éviter de trop dorer	15 - 20 min pour découpage facile
Non farcie, 20 - 30 lb	Rôtissage Convection	325 °F (160 °C)	1	180 °F (82 °C) dans la cuisse	6 - 12 min/lb	Aluminium pour éviter de trop dorer	15 - 20 min pour découpage facile
Fruits de mer							
Filets de poisson, 3/4 - 1 po (2 - 2,5 cm) d'épaisseur	Cuisson Gril	Bas	3	145 °F (63 °C)	11 - 15 min	Non	aucun

Les tableaux peuvent être utilisés comme guides. Suivez les instructions de l'emballage ou de la recette.

Les durées de rôtissage sont approximatives et peuvent varier en fonction de la forme de la pièce de viande.

VIANDES

Aliments	Mode de cuisson recommandé	Température du four	Position des grilles	Température interne	Durée de cuisson <small>en min. sauf indication contraire</small>	Aliments couverts	Durée de repos
----------	----------------------------	---------------------	----------------------	---------------------	--	-------------------	----------------

Le rôti de la dinde farcie prend plus de temps. La température minimale sûre de cuisson de la farce dans une volaille est de 165 °F (74 °C).

REMARQUE : Les températures internes des aliments sont recommandées par l'USDA et doivent être mesurées avec un thermomètre de cuisson numérique.



BOSCH

Invented for life