



User Guide

Upright Freezer

THANK YOU for purchasing this high-quality product. Register your freezer at www.maytag.com.
In Canada, register your freezer at www.maytag.ca.

For future reference, please make a note of your product model and serial numbers. These numbers can be found inside your freezer.

Model Number _____
Serial Number _____

TABLE OF CONTENTS

SAFETY	1	Using the Control	7
Proper Disposal of Your Refrigerator or Freezer.....	2	Freezer Features.....	8
INSTALLING YOUR FREEZER	3	CARING FOR YOUR FREEZER	8
Unpacking	3	Cleaning Your Freezer	8
Location Requirements	3	Changing the Light Bulb	9
Electrical Requirements	4	Power Interruptions.....	9
Freezer Door	4	Moving Care	9
Freezer Leveling and Door Closing.....	6	TROUBLESHOOTING	10
OPERATING YOUR FREEZER	7	Freezer Operation.....	10
Ensuring Proper Air Circulation.....	7	WARRANTY	12

SAFETY

Your safety and the safety of others are very important.

We have provided many important safety messages in this manual and on your appliance. Always read and obey all safety messages.



This is the safety alert symbol.

This symbol alerts you to potential hazards that can kill or hurt you and others.

All safety messages will follow the safety alert symbol and either the word "DANGER" or "WARNING."

These words mean:

⚠ DANGER

You can be killed or seriously injured if you don't immediately follow instructions.

⚠ WARNING

You can be killed or seriously injured if you don't follow instructions.

All safety messages will tell you what the potential hazard is, tell you how to reduce the chance of injury, and tell you what can happen if the instructions are not followed.

IMPORTANT SAFETY INSTRUCTIONS

WARNING: To reduce the risk of fire, electric shock, or injury when using your freezer, follow these basic precautions:

- Plug into a grounded 3 prong outlet.
- Do not remove ground prong.
- Do not use an adapter.
- Do not use an extension cord.
- Disconnect power before servicing.
- Replace all parts and panels before operating.
- Use nonflammable cleaner.
- Keep flammable materials and vapors, such as gasoline, away from freezer.
- Use two or more people to move and install freezer.
- Keep key away from children.
- Remove doors or lid from your old freezer or refrigerator.
- Disconnect power before installing ice maker (on ice maker kit ready models only).

SAVE THESE INSTRUCTIONS

State of California Proposition 65 Warnings:

WARNING: This product contains one or more chemicals known to the State of California to cause cancer.

WARNING: This product contains one or more chemicals known to the State of California to cause birth defects or other reproductive harm.

Proper Disposal of Your Refrigerator or Freezer

⚠ WARNING

Suffocation Hazard

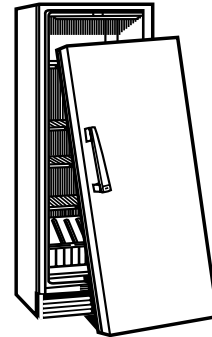
Remove doors or lid from your old freezer or refrigerator.

Failure to do so can result in death or brain damage.

IMPORTANT: Child entrapment and suffocation are not problems of the past. Junked or abandoned freezers or refrigerators are still dangerous — even if they will sit for “just a few days.” If you are getting rid of your old refrigerator or freezer, please follow these instructions to help prevent accidents.

Before You Throw Away Your Old Freezer or Refrigerator:

- Take off the doors or lid.
- Leave the shelves in place so that children may not easily climb inside.



Important information to know about disposal of refrigerants:

Dispose of freezer in accordance with Federal and Local regulations. Refrigerants must be evacuated by a licensed, EPA certified refrigerant technician in accordance with established procedures.

INSTALLING YOUR FREEZER

Unpacking

⚠️ WARNING

Excessive Weight Hazard

**Use two or more people to move and install freezer.
Failure to do so can result in back or other injury.**

Remove Packaging Materials

- Remove tape and glue residue from surfaces before turning on the freezer. Rub a small amount of liquid dish soap over the adhesive with your fingers. Wipe with warm water and dry.
- Do not use sharp instruments, rubbing alcohol, flammable fluids, or abrasive cleaners to remove tape or glue. These products can damage the surface of your freezer. For more information, see the "Safety" section.

When Moving Your Freezer:

Your freezer is heavy. When moving the freezer for cleaning or service, be sure to cover the floor with cardboard or hardboard to avoid floor damage. Always pull the freezer straight out when moving it. Do not wiggle or "walk" the freezer when trying to move it, as floor damage could occur.

Clean Before Using

After you remove all of the packaging materials, clean the inside of your freezer before using it. See the cleaning instructions in the "Caring For Your Freezer" section.

Important information to know about glass shelves and covers:

Do not clean glass shelves or covers with warm water when they are cold. Shelves and covers may break if exposed to sudden temperature changes or impact, such as bumping. Tempered glass is designed to shatter into many small, pebble-size pieces. This is normal. Glass shelves and covers are heavy. Use both hands when removing them to avoid dropping.

Location Requirements

⚠️ WARNING



Explosion Hazard

Keep flammable materials and vapors, such as gasoline, away from freezer.

Failure to do so can result in death, explosion, or fire.

Ventilation and Clearance

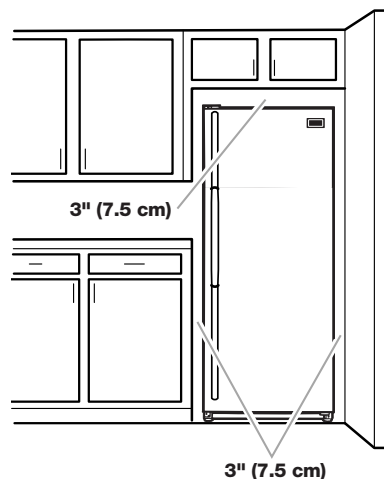
- Keep flammable materials and vapors, such as gasoline, away from freezer.
- Do not cover the freezer with items such as blankets, sheets, tablecloths, etc. This reduces air circulation.
- Allow at least 3" (7.5 cm) of air space at the top and on both sides of the freezer and 1" (2.5 cm) between the back of the freezer and the wall. If the freezer is to be next to a fixed wall, leave extra space on the hinge side so the door can open wider.

Temperature

Your freezer operates most efficiently when located in an area where the temperature will not fall below 40°F (5°C). Place your freezer in a location where the temperature will not fall below this recommended temperature.

Upon Moving to Final Location

NOTE: Allow for a 3" (7.5 cm) clearance at the top and sides and a 1/4" (6.4 mm) clearance between the appliances.



Electrical Requirements

⚠ WARNING



Electrical Shock Hazard

Plug into a grounded 3 prong outlet.

Do not remove ground prong.

Do not use an adapter.

Do not use an extension cord.

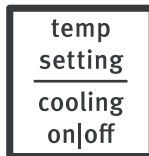
Failure to follow these instructions can result in death, fire, or electrical shock.

Before you move your freezer into its final location, it is important to make sure you have the proper electrical connection.

Recommended Grounding Method

A 115-volt, 60 Hz., AC-only, 15- or 20-amp fused, grounded electrical supply is required. It is recommended that a separate circuit serving only your freezer be provided. Use an outlet that cannot be turned off by a switch. Do not use an extension cord.

NOTE: Before performing any type of installation, cleaning, or removing a light bulb, press and hold TEMP SETTING for 3 seconds to turn off cooling, and then disconnect the freezer from the electrical source.



hold 3 sec.

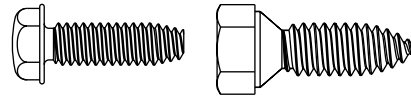
Freezer Door

Tools Needed: $\frac{5}{16}$ " hex-head socket wrench, $\frac{3}{8}$ " hex-head socket wrench, flat 2" putty knife

IMPORTANT:

- All graphics referenced in the following instructions are included later in this section after "Final Steps." The graphics shown are for a right-hand swing door (hinges factory installed on the right).
- If you only want to remove and replace the door, see the "Remove Door and Hinges" and "Replace Door and Hinges."
- Before you begin, press and hold TEMP SETTING for 3 seconds to turn off cooling, and remove food and adjustable door or utility bins from door.

Remove Door and Hinges



Hinge screws

1. Unplug freezer or disconnect power.
2. Keep the freezer door closed until you are ready to lift it free from the cabinet.
NOTE: Provide additional support for the door while the hinges are being moved. Do not depend on the door magnets to hold the door in place while you are working.
3. Remove the parts for the top hinge as shown in Top Hinge graphic.
4. Lift the freezer door free from the lower hinge and cabinet and set aside.
5. Remove the four hex-head hinge screws and bottom hinge assembly. See "Bottom Hinge" graphic.

Reverse Door (optional on some models)

IMPORTANT: If you want to reverse your door so that it opens in the opposite direction, continue with "Reverse Door (optional on some models)" instructions. If you are not reversing the door, see "Replace Door and Hinges."

Cabinet

1. Remove the cabinet hinge hole plugs from the cabinet top and move them to the opposite side hinge holes as shown in “Graphic 2.”
 2. Remove the bottom hinge pin from the hinge bracket.
 3. Remove the decals covering the holes on the opposite side of the bottom hinge.
 4. Reinstall the bottom hinge pin in the alternate hole in the hinge bracket. See “Graphic 3.”
 5. Reinstall the hinge bracket to the cabinet with the four hex-head hinge screws.
-

Door

1. Remove the hinge hole plug from the top of the door.
 2. Remove the door stop from the bottom of the door.
 3. Move the door stop to the opposite side making sure that the hole in the door stop bracket is aligned perfectly with the hole in the door for the bottom hinge pin.
 4. Using the screws removed in Step 2, fasten the door stop bracket to the bottom of the door.
 5. Tighten all screws. Set aside the door until the bottom hinge is in place.
-

Replace Door and Hinges

NOTE: Graphic may be reversed if door swing is reversed.

1. Replace the parts for the bottom hinge as shown and tighten screws. See “Bottom Hinge” graphic. Replace the freezer door.
NOTE: Provide additional support for the door while the hinges are being moved. Do not depend on the door magnets to hold the door in place while you are working.
2. Assemble the parts of the top hinge as shown in the “Top Hinge” graphic. Do not tighten the screws completely.

Final Steps

1. Check all holes to make sure that hole plugs and screws are in place. Reinstall top hinge cover. See “Top Hinge” graphic.
2. Using the provided decals, cover the remaining holes located on the side opposite the bottom hinge.

WARNING



Electrical Shock Hazard

Plug into a grounded 3 prong outlet.

Do not remove ground prong.

Do not use an adapter.

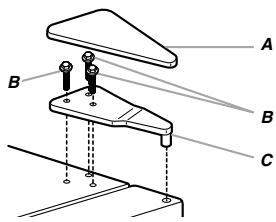
Do not use an extension cord.

Failure to follow these instructions can result in death, fire, or electrical shock.

3. Plug into a grounded 3 prong outlet.
4. Reset the control. See “Using the Control.”
5. Return all removable door parts to door and food to freezer.

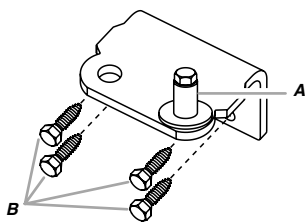
Door Removal & Replacement

Top Hinge



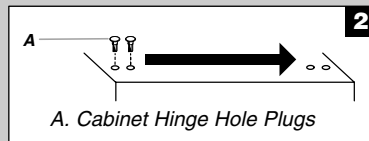
- A. Top Hinge Cover
- B. $\frac{5}{16}$ " Hex-Head Hinge Screws
- C. Top Hinge

Bottom Hinge

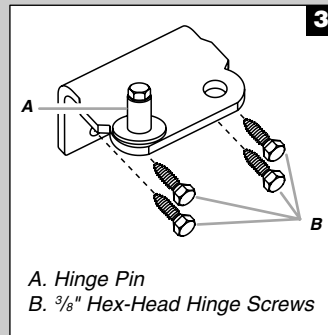


- A. Hinge Pin
- B. $\frac{5}{8}$ " Hex-Head Hinge Screws

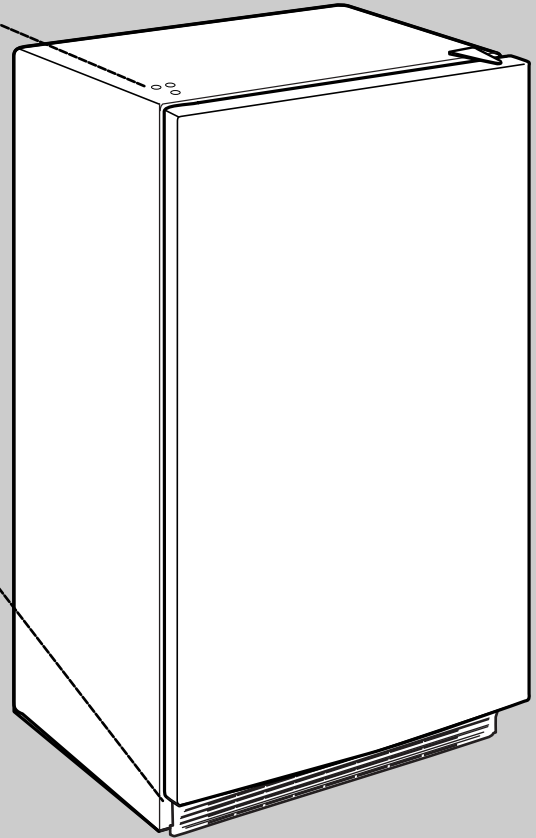
Door Swing Reversal (optional)



- A. Cabinet Hinge Hole Plugs



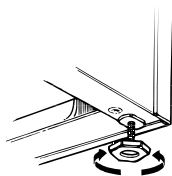
- A. Hinge Pin
- B. $\frac{5}{8}$ " Hex-Head Hinge Screws



Freezer Leveling and Door Closing

Style 1—Without Grille

1. Locate the two front leveling legs taped among the packing materials.
2. Screw these legs into the front holes on the bottom of the freezer. The back of the freezer rests on two fixed supports.
3. Adjust the front legs enough to lift the cabinet up off the floor.
4. Place a leveling tool on top of the freezer first side to side, then front to back. Turn leg counterclockwise to raise a corner. Turn leg clockwise to lower a corner.



5. Repeat Step 4 until freezer is level.
6. After freezer is fully loaded with food, recheck with level as in Step 4.

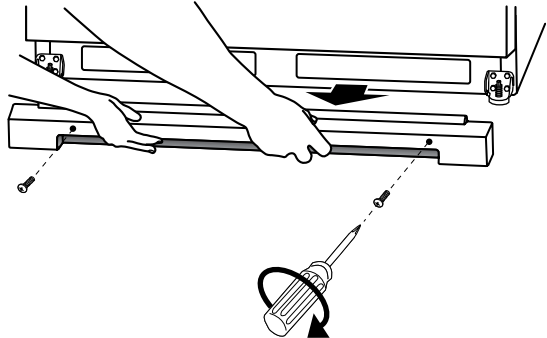
Style 2—With Grille

Your freezer has two front adjustable legs — one on each side. The back of the freezer rests on two fixed rollers. The base grille covers the adjustable brake feet and roller assemblies located at the bottom of the freezer below the freezer door. Before making any adjustments, remove the base grille and move the freezer to its final location.

Tools Needed: $\frac{1}{4}$ " hex driver, Phillips screwdriver

1. Remove the base grille screws. Grasp the grille firmly and pull it toward you. Open the freezer door to access the brake feet.

NOTE: To allow the freezer to roll more easily, raise the brake feet by turning them counterclockwise. The front rollers will be touching the floor.



2. Move the freezer to its final location.
3. Lower the brake feet, by turning them clockwise, until the rollers are off the floor and both brake feet are snug against the floor. This keeps the freezer from rolling forward when opening the freezer door.
IMPORTANT: If you need to make further adjustments involving the brake feet, you must turn both brake feet the same amount to keep the freezer level.
4. Make sure the door closes easily. If you are satisfied with the door opening and closing, skip the next section. If, however, the door does not close easily or the door pops open, adjust the tilt.
5. Make sure the freezer is steady. If the freezer seems unsteady or rolls forward when the door is pulled open, adjust the brake feet.

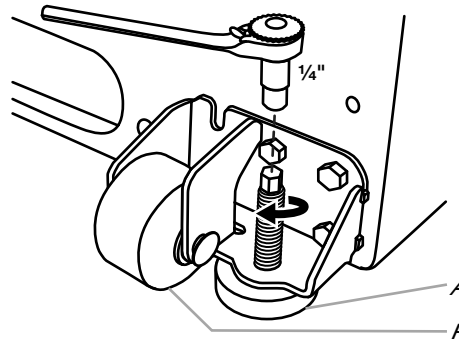
To Steady the Freezer:

- Open the freezer door. Using a 1/4" hex driver, turn both brake feet clockwise the same amount until the brake feet are snug against the floor. Check again. If not satisfied, continue to adjust the brake feet by half turns of the screw until the freezer does not roll forward when the door is opened.
6. Replace the base grille by aligning the ends of the grille with the leveling assemblies on each side and snapping the grille into place. Reinstall the Phillips screws.

To Adjust the Cabinet Tilt:

NOTE: Having someone push against the top of the freezer takes some weight off the brake feet. This makes it easier to turn them.

- Open the freezer door. Use a 1/4" hex driver to turn both brake feet clockwise the same amount. This will raise the front of the freezer. It may take several turns to allow the door to close more easily.

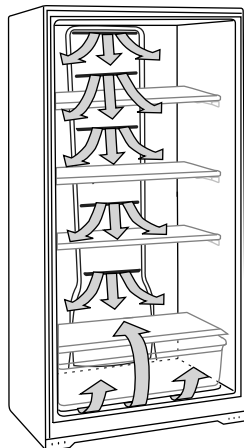


A. Brake foot
B. Front roller

OPERATING YOUR FREEZER

Ensuring Proper Air Circulation

In order to ensure proper temperature, you need to permit proper airflow in the freezer. As shown in the illustration, cool air enters from the freezer wall and moves down. The air then recirculates through the vent near the bottom.



Do not block any of these vents with food packages. If the vents are blocked, airflow will be restricted and temperature and moisture problems may occur.

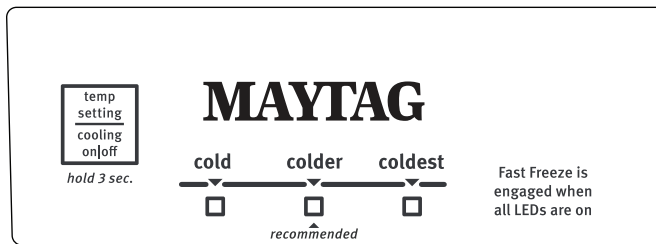
IMPORTANT: To avoid odor transfer and drying out of food, wrap or cover foods tightly.

Using the Control

The temperature control is located at the top front of the freezer compartment.

Temperature Control

For your convenience, the temperature control is preset at the factory. When you first install your freezer, check that the control is still set to the recommended setting as shown.



Recommended setting "Colder"

IMPORTANT:

- The recommended setting is designed to maintain the temperature at or near 0°F (-17.8°C) under normal operating conditions.
- Allow the freezer to cool 6 to 8 hours before filling with frozen food.

- When the freezer is first started, the compressor will run constantly until the freezer is cooled. It may take up to 6 or 8 hours (or longer), depending on room temperature and number of times the freezer door is opened. After the freezer is cooled, the compressor will turn on and off as needed to keep the freezer at the proper temperature.
- The outside of your freezer may feel warm. This is normal. The freezer's design and main function is to remove heat from packages and air space inside the freezer. The heat is transferred to the room air, making the outside of the freezer feel warm.

Adjusting Control

If you need to adjust the temperature in the freezer compartment, press TEMP SETTING to display the desired temperature setting from Cold to Coldest.

NOTE: Except when starting the freezer, do not adjust the control more than one setting at a time. Wait 24 hours between adjustments for the temperature to stabilize.

Cooling On/Off

Your freezer will not cool when cooling is turned off.

To turn cooling off, press and hold TEMP SETTING for 3 seconds. In the off condition, none of the lights on the control panel will be illuminated. The main freezer light bulb will still operate.

To turn cooling on, press and hold TEMP SETTING for 3 seconds. When cooling is on, the control panel lights will be illuminated.

Fast Freeze (on some models)

Use this feature before adding large amounts of unfrozen food. For the best food quality, do not exceed 3 lbs (1,361 g) per cu. ft (28.32 L) of freezer space.

To activate Fast Freeze, press TEMP SETTING until all the indicator light positions are illuminated simultaneously.

The freezer will remain in the Fast Freeze setting for 24 hours after the extra-low temperature is reached. Once the time has expired, the freezer will return to the previous temperature setting. Fast Freeze may be manually turned off by pressing TEMP SETTING to select the desired temperature setting from Cold to Coldest.

Freezer Features

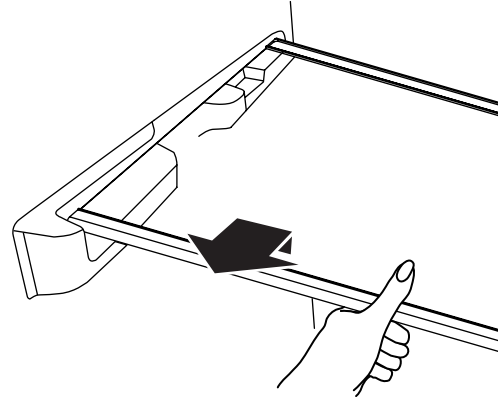
This manual covers several different models. The freezer you have purchased may have some or all of the items listed. The locations of the features may not match those of your model.

Freezer Shelves

Store similar foods together and adjust the shelves to fit different heights. This reduces the time the freezer door is open and saves energy.

To Remove and Replace a Shelf:

1. Remove the shelf by lifting straight up and pulling the shelf out.



2. Replace the shelf by lowering the shelf onto the supports on the side wall.

Storage Gate (on some models)

To Remove the Storage Gate:

1. Lift up the top of the gate and out of the supports.
2. Return the gate to original position. Lower the gate into the supports.

CARING FOR YOUR FREEZER

⚠ WARNING



Explosion Hazard

Use nonflammable cleaner.

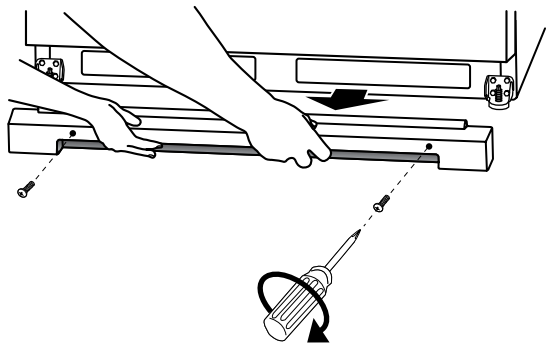
Failure to do so can result in death, explosion, or fire.

Cleaning Your Freezer

Frost-free means that you will not have to defrost your freezer. Frost is removed by air moving and collecting any moisture and depositing it on the cooling coil. The cooling coil periodically warms up enough to melt the frost and it then flows down to the drain pan (located behind the base grille) where it is evaporated. Complete cleaning should be done at least once a year.

1. Press and hold TEMP SETTING for 3 seconds to turn off cooling.
2. Unplug freezer or disconnect power.
3. Remove all frozen food. Wrap frozen food in several layers of newspaper and cover with a blanket. Food will stay frozen for several hours. You may also store frozen food in a cooler, additional refrigerator-freezer, or in a cool area.
4. Remove all removable parts from inside, such as shelves, bins, etc.
5. Hand-wash, rinse, and dry removable parts and interior surfaces thoroughly. Use a clean sponge or soft cloth and a mild detergent in warm water.
 - Do not use abrasive or harsh cleaners such as window sprays, scouring cleansers, flammable fluids, cleaning waxes, concentrated detergents, bleaches, or cleansers containing petroleum products on plastic parts, interior and door liners or gaskets. Do not use paper towels, scouring pads, or other harsh cleaning tools. These can scratch or damage materials.
 - To help remove odors, you can wash interior walls with a mixture of warm water and baking soda (2 tbs to 1 qt [26 g to 0.95 L] of water).
6. Replace the removable parts.

7. Use the appropriate cleaning method for your exterior finish.
Painted metal: Wash exteriors with a clean sponge or soft cloth and a mild detergent in warm water. Do not use abrasive or harsh cleaners or cleaners designed for stainless steel. Dry thoroughly with a soft cloth.
8. Remove the base grille by opening the freezer door and removing the two Phillips-head screws. Pull the grille toward you to remove.

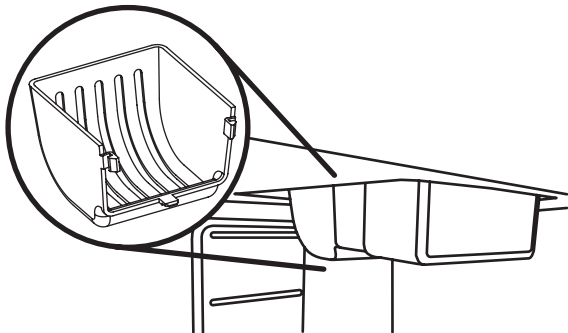


9. Replace the base grille by aligning the ends of the grille with the leveling assemblies on each side and snapping the grille into place. Reinstall the screws.
10. Replace all frozen food.
11. Plug in freezer or reconnect power.
12. Set temperature control to desired setting. See “Using the Control.”

Changing the Light Bulb

NOTE: Not all appliance bulbs will fit your freezer. Be sure to replace the bulb with an appliance bulb of the same size, shape, and wattage.

1. Unplug freezer or disconnect power.
2. Remove the light shield by squeezing the lens from the sides, pushing back and pulling down.



3. Replace bulb with a 40-watt maximum appliance bulb or an LED bulb rated for wet/damp locations.

NOTE: Some LED replacement light bulbs are not recommended for wet/damp environments. Refrigerator fresh food and freezer compartments are considered wet/damp environments. Read and follow all instructions on the LED packaging when replacing the factory-installed LED bulb. A replacement LED bulb can be purchased from an authorized dealer.

4. Replace the light shield.
5. Plug in freezer or reconnect power.

Power Interruptions

If the power will be out for 24 hours or less, keep the door closed to help food stay cold and frozen.

If the power will be out for more than 24 hours, do one of the following:

- Remove all frozen food and store it in a frozen food locker.
- If a food locker is not available, consume or can perishable food at once.

REMEMBER: A full freezer stays cold longer than a partially filled one. A freezer full of meat stays cold longer than a freezer full of baked goods. If you see that food contains ice crystals, it may be refrozen, although the quality and flavor may be affected. If the condition of the food is poor, dispose of it.

Moving Care

When you are moving your freezer to a new home, follow these steps to prepare it for the move.

1. Remove all frozen food.
2. Unplug the freezer.
3. Take out all removable parts, wrap them well, and tape them together so they don't shift and rattle during the move.
4. Clean the freezer thoroughly.
5. Tape the freezer shut and tape the electrical cord to the cabinet.

When you get to your new home, refer to the “Installing Your Freezer” and “Operating Your Freezer” sections for information on installation and setting the controls.

TROUBLESHOOTING

First try the solutions suggested here. If you need further assistance or more recommendations that may help you avoid a service call, refer to the warranty page in this manual and scan the code there with your mobile device, or visit www.maytag.com/product_help for recommendations that may help you avoid a service call. In Canada, visit <http://www.maytag.ca>.

Contact us by mail with any questions or concerns at the address below:

In the U.S.A.:

Maytag Brand Home Appliances
Customer eXperience Center
553 Benson Road
Benton Harbor, MI 49022-2692

In Canada:

Maytag Brand Home Appliances
Customer eXperience Centre
200 – 6750 Century Ave.
Mississauga ON L5N 0B7

Please include a daytime phone number in your correspondence.

Freezer Operation

⚠ WARNING



Electrical Shock Hazard

- Plug into a grounded 3 prong outlet.
- Do not remove ground prong.
- Do not use an adapter.
- Do not use an extension cord.
- Failure to follow these instructions can result in death, fire, or electrical shock.

⚠ WARNING



Explosion Hazard

- Use nonflammable cleaner.
- Failure to do so can result in death, explosion, or fire.

PROBLEM	RECOMMENDED SOLUTIONS
Freezer Will Not Operate	<p>Check that it is plugged into a grounded 3 prong outlet.</p> <p>Check that the temperature control is turned on.</p> <p>Check that the freezer is not running an Automatic Defrost cycle.</p> <p>Replace the fuse or reset the circuit breaker.</p> <p>NOTE: If problems continue, contact an electrician.</p>
Lights Do Not Work	<p>Check that it is plugged into a grounded 3 prong outlet.</p> <p>Check that the light bulb is tight in the socket and is not burned out.</p>
Water in Defrost Drain Pan	<p>It is normal for water to drip into the defrost drain pan when freezer is defrosting.</p> <p>When humidity is high, it is normal for water in the defrost pan to take longer to evaporate.</p>
Motor Seems to Run Too Much	<p>Check that the door closes properly.</p> <p>Defrost and clean the freezer to remove excessive frost.</p> <p>Adding a large amount of food warms the freezer causing the freezer to run longer to cool back down. If this is the situation, wait approximately 6 to 8 hours to allow the freezer to reach the correct temperature.</p> <p>Get all items out at one time, keep food organized, and close door as soon as possible.</p> <p>Check that the condenser coils are clean.</p> <p>Check that the door gasket is sealed all the way around. If not, contact a qualified person or technician.</p> <p>Check that space around freezer meets air circulation requirements. See “Location Requirements.”</p> <p>NOTE: If none of the above, your new freezer will run longer than your old one due to its high-efficiency motor.</p>
Temperature Is Too Warm	<p>Check that air vents are clear. See “Ensuring Proper Air Circulation” for air vent locations.</p> <p>Get all items out at one time, keep food organized, and close door as soon as possible.</p> <p>Adding a large amount of food warms the freezer causing the freezer to run longer to cool back down.</p> <p>Check that the temperature control is set correctly for surrounding conditions.</p>

PROBLEM	RECOMMENDED SOLUTIONS
The Door Will Not Close Completely or Is Difficult to Open	<p>Check that there are no food packages blocking the door.</p> <p>On some models, check that the shelves and baskets are in the correct position.</p> <p>Check that gaskets are clean. See “Caring for Your Freezer.”</p> <p>Check that the freezer is stable. See “Freezer Leveling and Door Closing.”</p>
Freezer Makes Loud Buzzing/Clicking Sound	<p>If the freezer has recently been plugged in or turned on following a defrost or product move, or if there has been an extended power failure, turn off the temperature alarm for the next 24 hours.</p> <p>Adding a large amount of food warms the freezer. It can take several hours for the freezer to return to normal temperature. Turn the temperature alarm off for the next 24 hours.</p>

MAYTAG® REFRIGERATION LIMITED WARRANTY

ATTACH YOUR RECEIPT HERE. PROOF OF PURCHASE IS REQUIRED TO OBTAIN WARRANTY SERVICE.

Please have the following information available when you call the Customer eXperience Center:

- Name, address and telephone number
- Model number and serial number
- A clear, detailed description of the problem
- Proof of purchase including dealer or retailer name and address

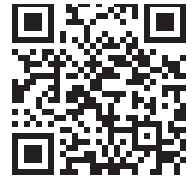
IF YOU NEED SERVICE:

1. Before contacting us to arrange service, please determine whether your product requires repair. Some questions can be addressed without service. Please take a few minutes to review the Troubleshooting or Problem Solver section of the Use and Care Guide, scan the QR code on the right to access additional resources, or visit https://www.maytag.com/product_help.
2. All warranty service is provided exclusively by our authorized Maytag Service Providers. In the U.S. and Canada, direct all requests for warranty service to:

Maytag Customer eXperience Center

In the U.S.A., call 1-800-688-9900. In Canada, call 1-800-807-6777.

If outside the 50 United States or Canada, contact your authorized Maytag dealer to determine whether another warranty applies.



https://www.maytag.com/product_help

TEN YEAR LIMITED WARRANTY

WHAT IS COVERED

FIRST YEAR LIMITED WARRANTY (PARTS AND LABOR)

For one year from the date of purchase, when this major appliance is installed, operated and maintained according to instructions attached to or furnished with the product, Maytag brand of Whirlpool Corporation or Whirlpool Canada, LP (hereafter "Maytag") will pay for factory specified replacement parts and repair labor to correct defects in materials or workmanship that existed when this major appliance was purchased, or at its sole discretion replace the product. In the event of product replacement, your appliance will be warranted for the remaining term of the original unit's warranty period.

SECOND THROUGH TENTH YEAR LIMITED WARRANTY (COMPRESSOR ONLY - LABOR NOT INCLUDED)

In the second through tenth years from the date of original purchase, when this major appliance is installed, operated and maintained according to instructions attached to or furnished with the product, Maytag will pay for a factory specified replacement compressor to correct non-cosmetic defects in materials or workmanship in this part that prevent function of the refrigerator and that existed when this major appliance was purchased. This limited 10-year warranty is for the compressor only and does not include labor.

YOUR SOLE AND EXCLUSIVE REMEDY UNDER THIS LIMITED WARRANTY SHALL BE PRODUCT REPAIR AS PROVIDED HEREIN. Service must be provided by a Maytag designated service company. This limited warranty is valid only in the United States or Canada and applies only when the major appliance is used in the country in which it was purchased. This limited warranty is effective from the date of original consumer purchase. Proof of original purchase date is required to obtain service under this limited warranty.

WHAT IS NOT COVERED

1. Commercial, non-residential or multiple-family use, or use inconsistent with published user, operator or installation instructions.
2. In-home Instruction on how to use your product.
3. Service to correct improper product maintenance or installation, installation not in accordance with electrical or plumbing codes or correction of household electrical or plumbing (i.e. house wiring, fuses or water inlet hoses).
4. Consumable parts (i.e. light bulbs, batteries, air or water filters, preservation solutions, etc.).
5. Defects or damage caused by the use of non-genuine Maytag parts or accessories.
6. Damage from accident, misuse, abuse, fire, floods, acts of God or use with products not approved by Maytag.
7. Repairs to parts or systems to correct product damage or defects caused by unauthorized service, alteration or modification of the appliance.
8. Cosmetic damage including scratches, dents, chips, and other damage to appliance finishes unless such damage results from defects in materials and workmanship and is reported to Maytag within 30 days.
9. Discoloration, rust or oxidation of surfaces resulting from caustic or corrosive environments including but not limited to high salt concentrations, high moisture or humidity or exposure to chemicals.
10. Food or medicine loss due to product failure.
11. Pick-up or delivery. This product is intended for in-home repair.
12. Travel or transportation expenses for service in remote locations where an authorized Maytag servicer is not available.
13. Removal or reinstallation of inaccessible appliances or built-in fixtures (i.e. trim, decorative panels, flooring, cabinetry, islands, countertops, drywall, etc.) that interfere with servicing, removal or replacement of the product.
14. Service or parts for appliances with original model/serial numbers removed, altered or not easily determined.

The cost of repair or replacement under these excluded circumstances shall be borne by the customer.

DISCLAIMER OF IMPLIED WARRANTIES

IMPLIED WARRANTIES, INCLUDING ANY IMPLIED WARRANTY OF MERCHANTABILITY OR IMPLIED WARRANTY OF FITNESS FOR A PARTICULAR PURPOSE, ARE LIMITED TO ONE YEAR OR THE SHORTEST PERIOD ALLOWED BY LAW. Some states and provinces do not allow limitations on the duration of implied warranties of merchantability or fitness, so this limitation may not apply to you. This warranty gives you specific legal rights, and you also may have other rights that vary from state to state or province to province.

DISCLAIMER OF REPRESENTATIONS OUTSIDE OF WARRANTY

Maytag makes no representations about the quality, durability, or need for service or repair of this major appliance other than the representations contained in this warranty. If you want a longer or more comprehensive warranty than the limited warranty that comes with this major appliance, you should ask Maytag or your retailer about buying an extended warranty.

LIMITATION OF REMEDIES; EXCLUSION OF INCIDENTAL AND CONSEQUENTIAL DAMAGES

YOUR SOLE AND EXCLUSIVE REMEDY UNDER THIS LIMITED WARRANTY SHALL BE PRODUCT REPAIR AS PROVIDED HEREIN. MAYTAG SHALL NOT BE LIABLE FOR INCIDENTAL OR CONSEQUENTIAL DAMAGES. Some states and provinces do not allow the exclusion or limitation of incidental or consequential damages, so these limitations and exclusions may not apply to you. This warranty gives you specific legal rights, and you also may have other rights that vary from state to state or province to province.

Nous vous REMERCIONS d'avoir acheté ce produit de haute qualité. Enregistrer le réfrigérateur sur www.maytag.com. Au Canada, enregistrer le réfrigérateur sur www.maytag.ca.

Pour référence ultérieure, consignez par écrit les numéros de modèle et de série de votre produit. Vous trouverez les numéros de modèle et de série à l'intérieur du réfrigérateur.

Numéro de modèle _____

Numéro de série _____

TABLE DES MATIÈRES

SÉCURITÉ	13	Utilisation de la commande	19
Mise au rebut de votre vieux congélateur ou réfrigérateur.....	14	Caractéristiques du congélateur.....	20
INSTALLATION DU CONGÉLATEUR	15	ENTRETIEN DU CONGÉLATEUR	21
Déballage	15	Nettoyage du congélateur	21
Exigences d'emplacement.....	15	Remplacement de l'ampoule d'éclairage.....	21
Spécifications électriques.....	16	Pannes de courant électrique.....	22
Porte du congélateur.....	16	Déménagement.....	22
Nivellement du congélateur et fermeture de la porte.....	18	DÉPANNAGE	23
UTILISATION DU CONGÉLATEUR	19	Fonctionnement du congélateur.....	23
Pour s'assurer d'une circulation d'air appropriée.....	19	GARANTIE	24

SÉCURITÉ

Votre sécurité et celle des autres est très importante.

Nous donnons de nombreux messages de sécurité importants dans ce manuel et sur votre appareil ménager. Assurez-vous de toujours lire tous les messages de sécurité et de vous y conformer.



Voici le symbole d'alerte de sécurité.

Ce symbole d'alerte de sécurité vous signale les dangers potentiels de décès et de blessures graves à vous et à d'autres.

Tous les messages de sécurité suivront le symbole d'alerte de sécurité et le mot "DANGER" ou "AVERTISSEMENT". Ces mots signifient :

⚠ DANGER

Risque possible de décès ou de blessure grave si vous ne suivez pas immédiatement les instructions.

⚠ AVERTISSEMENT

Risque possible de décès ou de blessure grave si vous ne suivez pas les instructions.

Tous les messages de sécurité vous diront quel est le danger potentiel et vous disent comment réduire le risque de blessure et ce qui peut se produire en cas de non-respect des instructions.

IMPORTANTES INSTRUCTIONS DE SÉCURITÉ

AVERTISSEMENT : Pour réduire les risques d'incendie, de choc électrique ou des blessures lors de l'utilisation du congélateur, prendre quelques précautions fondamentales, y compris les suivantes :

- Brancher l'appareil sur une prise à 3 alvéoles reliée à la terre.
- Ne pas enlever la broche de liaison à la terre.
- Ne pas utiliser un adaptateur.
- Ne pas utiliser un câble de rallonge.
- Débrancher la source de courant électrique avant l'entretien.
- Replacer pièces et panneaux avant de faire la remise en marche.
- Utiliser un produit de nettoyage ininflammable.
- Garder les matériaux et les vapeurs inflammables, telle que l'essence, loin du congélateur.
- Utiliser deux ou plus de personnes pour déplacer et installer le congélateur.
- Garder la clé loin des enfants.
- Enlever les portes ou le couvercle de votre vieux congélateur ou réfrigérateur.
- Débrancher la source de courant électrique avant l'installation de la machine à glaçons (seulement pour modèles prêts à recevoir une machine à glaçons).

CONSERVEZ CES INSTRUCTIONS

Avertissements de la proposition 65 de l'État de Californie :

AVERTISSEMENT : Ce produit contient au moins un produit chimique connu par l'État de Californie pour être à l'origine de cancers.

AVERTISSEMENT : Ce produit contient au moins un produit chimique connu par l'État de Californie pour être à l'origine de malformations et autres déficiences de naissance.

Mise au rebut de votre vieux congélateur ou réfrigérateur

⚠ AVERTISSEMENT

Risque de suffoquer

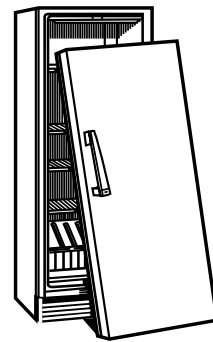
Enlever les portes ou le couvercle de votre vieux congélateur ou réfrigérateur.

Le non-respect de cette instruction peut causer un décès ou des lésions cérébrales.

IMPORTANT : Encore de nos jours, des enfants peuvent restés pris ou s'étouffer à l'intérieur d'un appareil comme celui-ci. Les congélateurs jetés ou abandonnés sont encore dangereux, même s'ils sont abandonnés pendant "quelques jours seulement". Si vous vous débarrassez de votre vieux congélateur, veuillez suivre les instructions suivantes pour aider à éviter les accidents.

Avant de jeter votre vieux congélateur ou réfrigérateur :

- Enlever les portes.
- Laisser les tablettes en place de sorte que les enfants ne puissent pas facilement se glisser à l'intérieur.



Renseignements importants à propos de la mise au rebut des fluides réfrigérants :

Mettre le congélateur au rebut conformément à la réglementation fédérale et locale. Les fluides réfrigérants doivent être évacués par un technicien certifié et agréé par l'EPA conformément aux procédures établies.

INSTALLATION DU CONGÉLATEUR

Déballage

⚠ AVERTISSEMENT

Risque du poids excessif

Utiliser deux ou plus de personnes pour déplacer et installer le congélateur.

Le non-respect de cette instruction peut causer une blessure au dos ou d'autre blessure.

Enlèvement des matériaux d'emballage

- Enlever le ruban adhésif et la colle des surfaces du congélateur avant de le brancher. Frotter une petite quantité de savon liquide pour la vaisselle sur l'adhésif avec les doigts. Rincer à l'eau tiède et essuyer.
- Ne pas utiliser d'instruments coupants, d'alcool à friction, de liquides inflammables ou de nettoyants abrasifs pour enlever le ruban adhésif ou la colle. Ces produits peuvent endommager la surface de votre congélateur. Pour plus de renseignements, voir la section "Sécurité".

Déplacement de votre congélateur :

Votre congélateur est lourd. Lors du déplacement de votre congélateur pour le nettoyage ou un entretien, veiller à recouvrir le plancher avec du carton ou un panneau de fibre dur pour éviter qu'il ne subisse tout dommage. Toujours tirer le congélateur tout droit lors du déplacement. Ne pas incliner le congélateur d'un côté ou de l'autre ni le "faire marcher" en essayant de le déplacer car le plancher pourrait être endommagé.

Nettoyage avant l'utilisation

Après avoir enlevé tous les matériaux d'emballage, nettoyer l'intérieur du congélateur avant de l'utiliser. Voir les instructions de nettoyage à la section "Entretien du congélateur".

Importants renseignements à savoir au sujet des tablettes et des couvercles en verre :

Ne pas nettoyer les tablettes ou couvercles en verre avec de l'eau tiède quand ils sont froids. Les tablettes et les couvercles peuvent se briser s'ils sont exposés à des changements soudains de température ou à un impact tel que coup brusque. Le verre trempé est conçu pour éclater en d'innombrables pièces minuscules. Ceci est normal. Les tablettes et les couvercles en verre sont lourds. Les saisir à deux mains lors de leur dépose afin d'éviter de les faire tomber.

Exigences d'emplacement

⚠ AVERTISSEMENT



Risque d'explosion

Garder les matériaux et les vapeurs inflammables, telle que l'essence, loin du congélateur.

Le non-respect de cette instruction peut causer un décès, une explosion ou un incendie.

Ventilation et dégagement

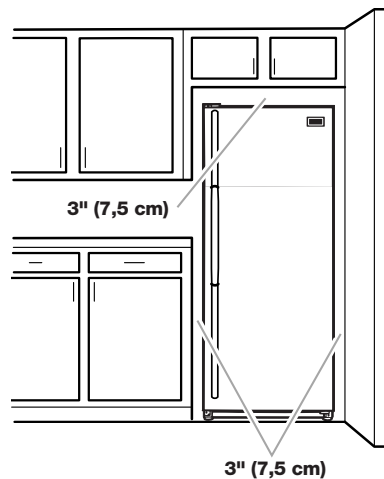
- Garder les matériaux et les vapeurs inflammables, tels que l'essence, loin du congélateur.
- Ne pas couvrir le congélateur avec des articles tels que couvertures, draps, nappes de table, etc. Ceci réduit la circulation d'air.
- Laisser un espace d'au moins 3" (7,5 cm) des deux côtés du congélateur et de 1" (2,5 cm) entre l'arrière du congélateur et le mur. Si le congélateur est installé près un mur fixe, laisser un espace supplémentaire du côté des charnières pour une plus grande ouverture de la porte.

Température

Le congélateur fonctionne à son efficacité maximale lorsqu'il se trouve dans un endroit où la température ne descend pas en dessous de 40 °F (5 °C). Installer le congélateur dans un endroit où la température ne descend pas en dessous de cette température recommandée.

Lors du déplacement à son emplacement final

REMARQUE : Laisser un dégagement de 3" (7,5 cm) sur le dessus et un dégagement de 1/4" (6,4 mm) entre les appareils.



Spécifications électriques

⚠ AVERTISSEMENT



Risque de choc électrique

Brancher sur une prise à 3 alvéoles reliée à la terre.

Ne pas enlever la broche de liaison à la terre.

Ne pas utiliser un adaptateur.

Ne pas utiliser un câble de rallonge.

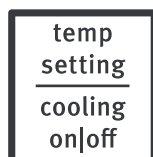
Le non-respect de ces instructions peut causer un décès, un incendie ou un choc électrique.

Avant de placer le congélateur à son emplacement final, il est important de vous assurer d'avoir la connexion électrique appropriée.

Méthode recommandée de mise à la terre

Une source d'alimentation de 115 volts, 60 Hz, type 15 ou 20 ampères CA seulement, protégée par fusibles et adéquatement mise à la terre est nécessaire. Il est recommandé d'utiliser un circuit distinct pour alimenter uniquement votre congélateur. Utiliser une prise murale qui ne peut pas être mise hors circuit à l'aide d'un commutateur. Ne pas employer de rallonge.

REMARQUE : Avant de procéder à tout type d'installation, de nettoyage ou de changement d'une ampoule, appuyer sans relâcher sur TEMP SETTING (réglage de la température) pendant 3 secondes pour désactiver le refroidissement, puis déconnecter le congélateur de la source de courant électrique.



hold 3 sec.

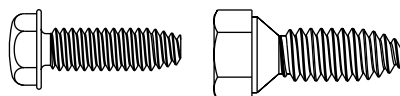
Porte du congélateur

Outils nécessaires : clé à douille à tête hexagonale de $\frac{5}{16}$ " , clé à douille à tête hexagonale de $\frac{3}{8}$ " , couteau à mastic de 2"

IMPORTANT :

- Toutes les illustrations mentionnées dans les instructions suivantes sont incluses plus loin dans cette section après "Étapes finales". Les illustrations correspondent à une porte s'ouvrant à droite (charnières installées à droite à l'usine).
- Si vous désirez seulement enlever et réinstaller les portes, voir la section "Démontage - Portes et charnières" et "Réinstallation - Portes et charnières".
- Avant de commencer, appuyer sans relâcher sur TEMP SETTING (réglage de la température) pendant 3 secondes pour désactiver le refroidissement et retirer les aliments et tout balconnet réglable ou compartiment utilitaire de la porte.

Démontage - Porte et charnières



Vis de charnière

1. Débrancher le congélateur ou déconnecter la source de courant électrique.
2. Laisser la porte du congélateur fermée jusqu'à ce que vous soyez prêt à la soulever pour la dégager de la caisse.
REMARQUE : Prévoir un support additionnel de la porte pendant le déplacement des charnières. La force d'attraction des aimants de porte ne suffit pas à la maintenir en place.
3. Enlever les pièces de la charnière supérieure - voir l'illustration de la charnière supérieure.
4. Soulever la porte du congélateur pour la séparer de la charnière inférieure et de la caisse et la conserver à part.
5. Retirer les 4 vis de charnière à tête hexagonale et la charnière inférieure. Voir l'illustration de la charnière inférieure.

Inversion du sens d'ouverture des portes (facultatif sur certains modèles)

IMPORTANT : Si vous souhaitez inverser le sens d'ouverture des portes, suivre les instructions de la section "Inversion du sens d'ouverture des portes (facultatif - sur certains modèles)". S'il n'est pas nécessaire de changer l'orientation des portes, voir la section "Réinstallation - Portes et charnières".

Caisse

1. Enlever les bouchons d'obturation des trous de charnière au sommet de la caisse; transférer ceux-ci dans les trous de charnière du côté opposé. Voir l'illustration 2.
2. Retirer l'écrou de l'axe de la charnière et l'axe du support de charnière.
3. Retirer les oeillets recouvrant les trous du côté opposé de la charnière inférieure.
4. Réinstaller l'axe de charnière dans l'autre trou de la bride de charnière. Voir l'illustration 3.
5. Réinstaller la bride de charnière sur la caisse à l'aide des quatre vis de charnière à tête hexagonale.

Porte

1. Enlever le bouchon d'obturation de la partie supérieure de charnière au sommet de la porte.
2. Retirer la butée de porte du bas de la porte.
3. Placer la butée de porte du côté opposé en s'assurant que le trou de la plaque de butée de porte est parfaitement aligné avec le trou de la porte destiné à l'axe de charnière inférieure.
4. À l'aide des vis retirées à l'étape 2, fixer le support de butée de porte au bas de la porte.
5. Serrer toutes les vis. Conserver la porte du congélateur à part jusqu'à la mise en place de la charnière inférieure.

Réinstallation - Porte et charnières

REMARQUE : Si on inverse le sens d'ouverture de la porte, considérer l'image symétrique.

1. Assembler les pièces de la charnière inférieure (tel qu'indiqué) et serrer les vis. Voir l'illustration de la charnière inférieure. Réinstaller la porte du congélateur.

REMARQUE : Prévoir un support additionnel de la porte pendant le déplacement des charnières. La force d'attraction des aimants de porte ne suffit pas à la maintenir en place.

2. Assembler les pièces de la charnière supérieure (voir l'illustration de la charnière supérieure). Ne pas complètement serrer les vis.

Étapes finales

1. Inspecter tous les trous. Vérifier que tous les bouchons d'obturation toutes les vis sont en place. Réinstaller le couvercle de la charnière supérieure. Voir l'illustration charnière supérieure.
2. À l'aide des oeillets fournis, recouvrir les trous restants situés sur le côté opposé de la charnière inférieure.

⚠ AVERTISSEMENT



Risque de choc électrique

Brancher sur une prise à 3 alvéoles reliée à la terre.

Ne pas enlever la broche de liaison à la terre.

Ne pas utiliser un adaptateur.

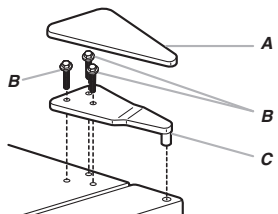
Ne pas utiliser un câble de rallonge.

Le non-respect de ces instructions peut causer un décès, un incendie ou un choc électrique.

3. Brancher sur une prise à 3 alvéoles reliée à la terre.
4. Réinitialiser les commandes. Voir la section "Utilisation de la commande".
5. Réinstaller toutes les pièces amovibles de la porte et remettre les aliments dans le congélateur.

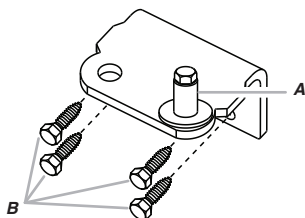
Retrait et réinstallation des portes

Charnière supérieure



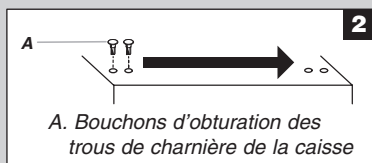
- A. Couvre-charnière supérieur
 B. Vis de charnière à tête hexagonale $\frac{3}{16}$ "
 C. Charnière supérieure

Charnière inférieure

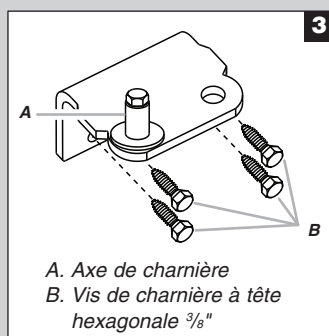


- A. Axe de charnière
 B. Vis de charnière à tête hexagonale $\frac{3}{8}$ "

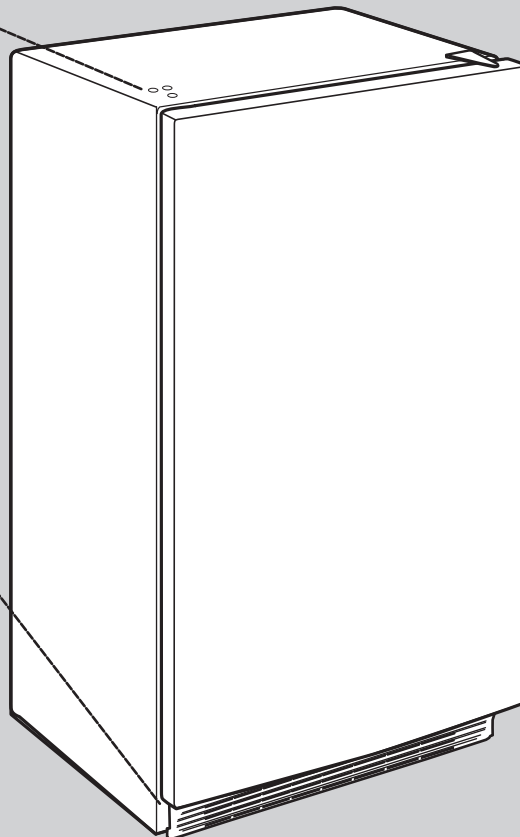
Inversion du sens d'ouverture de la porte (facultatif)



- A. Bouchons d'obturation des trous de charnière de la caisse



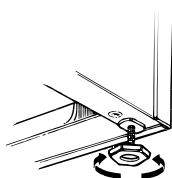
- A. Axe de charnière
 B. Vis de charnière à tête hexagonale $\frac{3}{8}$ "



Nivellement du congélateur et fermeture de la porte

Style 1—sans grille

- Repérer les deux pieds de nivellement avant fixés parmi les matériaux d'emballage.
- Visser ces pieds dans les trous avant situés au bas du congélateur. L'arrière du congélateur repose sur 2 supports fixes.
- Ajuster suffisamment les pieds avant pour séparer la caisse du sol.
- Placer un niveau au sommet de la caisse du congélateur, transversalement puis dans le sens avant-arrière. Pour soulever un coin, faire tourner le pied dans le sens antihoraire. Pour abaisser un coin, faire tourner le pied dans le sens horaire.



- Répéter l'étape 4 jusqu'à ce que le congélateur soit d'aplomb.

- Lorsque le congélateur est complètement rempli d'aliments, revérifier avec un niveau comme à l'étape 4.

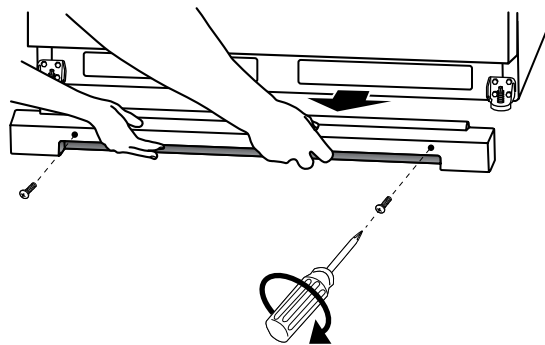
Style 2—avec grille

Le congélateur est équipé de 2 pieds avant réglables, un de chaque côté. L'arrière du congélateur repose sur 2 roulettes fixes. La grille de la base recouvre les pieds de stabilisation réglables et les roulettes situées au bas du congélateur sous la porte du congélateur. Avant de réaliser les ajustements, retirer la grille de la base et déplacer le congélateur à son emplacement définitif.

Outils nécessaires: tourne-écrou de $\frac{1}{4}$ ", tournevis Phillips

- Retirer les vis de la grille de la base. Saisir la grille fermement et la tirer vers soi. Ouvrir la porte du congélateur pour accéder aux pieds de stabilisation.

REMARQUE : Pour permettre au congélateur de rouler plus facilement, soulever les pieds de stabilisation en les tournant dans le sens antihoraire. Les roulettes avant toucheront le plancher.



2. Déplacer le congélateur jusqu'à son emplacement final.
 3. Abaisser les pieds de stabilisation en les tournant dans le sens horaire, jusqu'à ce que les roulettes ne touchent plus le sol et que les deux pieds de stabilisation soient fermement en appui sur le sol. Cet ajustement vise à empêcher le congélateur de rouler vers l'avant à l'ouverture des portes.
- IMPORTANT :** Si des ajustements sont nécessaires par la suite et si cela comprend les pieds de stabilisation, les deux pieds de stabilisation doivent être tournés de façon égale pour conserver l'aplomb du congélateur.
4. S'assurer que la porte ferme facilement. Si vous êtes satisfait de la facilité avec laquelle la porte s'ouvre et se ferme, sauter la section suivante. Cependant, si la porte ne ferme pas facilement ou qu'elle s'ouvre d'elle-même, régler l'inclinaison.
 5. S'assurer que le congélateur est stable. Si le congélateur semble instable ou qu'il roule vers l'avant lorsqu'on ouvre la porte, régler les pieds de nivellement.

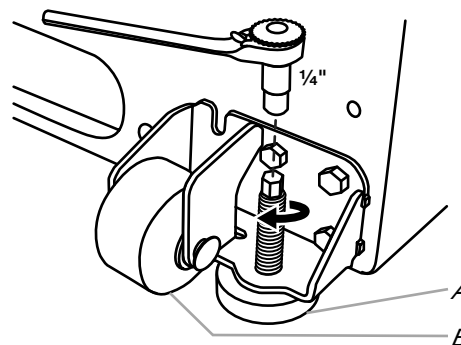
Stabilisation du congélateur :

- Ouvrir la porte du congélateur. Utiliser un tourne-écrou de 1/4" pour tourner les deux pieds de stabilisation du même nombre de tours dans le sens horaire, jusqu'à ce qu'ils soient fermement en appui sur le sol. Vérifier de nouveau. Si le résultat n'est pas satisfaisant, continuer de régler les pieds de nivellement en tournant la vis par demi-tours jusqu'à ce que le congélateur ne roule plus vers l'avant lors de l'ouverture de la porte.
6. Réinstaller la grille de la base en alignant les extrémités de la grille avec les dispositifs de nivellement de chaque côté et emboîter la grille. Réinstaller les vis Phillips.

Réglage de l'inclinaison de la caisse :

REMARQUE : Si une autre personne pousse le haut du congélateur, le poids devient moins lourd sur les pieds de nivellement. Ceci facilite leur rotation.

- Ouvrir la porte du congélateur. Utiliser un tourne-écrou de 1/4" pour tourner les deux pieds de stabilisation du même nombre de tours dans le sens horaire. Cela soulève l'avant du congélateur. Cela peut nécessiter plusieurs tours pour permettre à la porte de se fermer plus facilement.

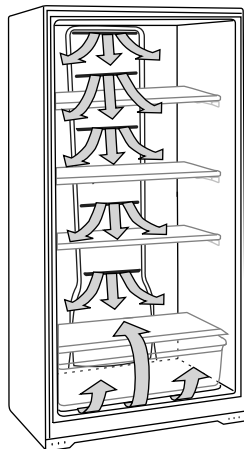


A. Pied de stabilisation
B. Roulette avant

UTILISATION DU CONGÉLATEUR

Pour s'assurer d'une circulation d'air appropriée

Pour s'assurer d'avoir des températures appropriées, il faut permettre à l'air de circuler dans le congélateur. Comme l'indique l'illustration, l'air froid pénètre dans tout le congélateur et se déplace vers le bas. L'air circule ensuite à nouveau par l'évent près de la base.



Ne pas obstruer l'une ou l'autre de ces ouvertures d'aération avec des paquets d'aliments. Si les ouvertures d'aération sont bloquées, le courant d'air sera coupé et des problèmes de température et d'humidité peuvent survenir.

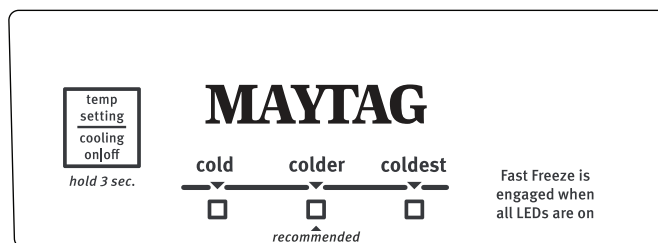
IMPORTANT : Pour empêcher le transfert d'odeurs et l'assèchement des aliments, envelopper ou recouvrir hermétiquement les aliments.

Utilisation de la commande

La commande de la température se trouve dans la partie supérieure avant du compartiment de congélateur.

Commande de la température

Pour votre commodité, la commande de température est pré-réglée à l'usine. Lors de l'installation initiale du congélateur, vérifier que la commande est encore pré-réglée au point de réglage recommandé tel qu'illustré.



"Colder" est le réglage recommandé

IMPORTANT :

- Ce réglage est conçu pour maintenir la température à environ 0 °F (-17,8 °C) dans des conditions de fonctionnement normales.
- Laisser le congélateur refroidir pendant 6 à 8 heures avant de le remplir de produits surgelés.
- Lorsque le congélateur est mis en marche pour la première fois, le compresseur fonctionne sans cesse jusqu'à ce que le congélateur soit refroidi. Cela peut durer entre 6 et 8 heures (ou plus), en fonction de la température de la pièce et de la fréquence d'ouverture de la porte de congélateur. Une fois le congélateur refroidi, le compresseur s'allume et s'éteint par intermittence selon le besoin, afin de permettre au congélateur de rester à la bonne température.
- Il est possible que l'extérieur du congélateur soit chaud. Ceci est normal. La conception du congélateur ainsi que sa fonction principale permettent de supprimer la chaleur provenant des emballages et de l'espace à l'intérieur du congélateur. La chaleur est transférée dans l'air ambiant, ce qui entraîne le réchauffement de l'extérieur du congélateur.

Réglage de la commande

Si le réglage de la température du compartiment de congélation est souhaité, appuyer sur le bouton TEMP SETTING (réglage de la température) pour afficher le réglage de la température désiré, du flocon de neige de gauche (le moins froid) au flocon de neige de droite (le plus froid).

REMARQUE : Ne pas régler la commande de plus d'un réglage à la fois, sauf lors de la mise en marche du congélateur. Attendre 24 heures entre chaque réglage pour que la température puisse se stabiliser.

Cooling On/Off (marche/arrêt du refroidissement)

Le congélateur ne refroidit pas lorsque le refroidissement est désactivé.

Pour désactiver le refroidissement, appuyer sur le bouton TEMP SETTING (réglage de la température) pendant 3 secondes. Si le refroidissement est désactivé, aucun des témoins lumineux du tableau de commande ne s'allume. L'ampoule d'éclairage principale du congélateur continue de fonctionner.

Pour activer le refroidissement, appuyer sur le bouton TEMP SETTING (réglage de la température) pendant 3 secondes. Lorsque le refroidissement est activé, les témoins lumineux du tableau de commande sont allumés.

Fast Freeze (congélation rapide) (sur certains modèles)

Utiliser cette caractéristique avant d'ajouter de grandes quantités d'aliments non congelés. Pour que la qualité des aliments reste optimale, ne pas dépasser 3 lb (1,361 g) d'aliments par pied cube (28,32 L) dans le congélateur.

Pour activer la caractéristique de congélation rapide, appuyer sur le bouton TEMP SETTING (réglage de la température) jusqu'à ce que tous les témoins lumineux des flocons de neige s'allument simultanément.

Le congélateur reste réglé sur congélation rapide pendant 24 heures une fois la très basse température atteinte. Dès que la durée a expiré, le congélateur revient au réglage de température précédent. La caractéristique de congélation rapide peut être désactivée manuellement en appuyant sur TEMP SETTING (réglage de la température) pour sélectionner le réglage de la température désiré, du flocon de neige de gauche (le moins froid) au flocon de neige de droite (le plus froid).

Caractéristiques du congélateur

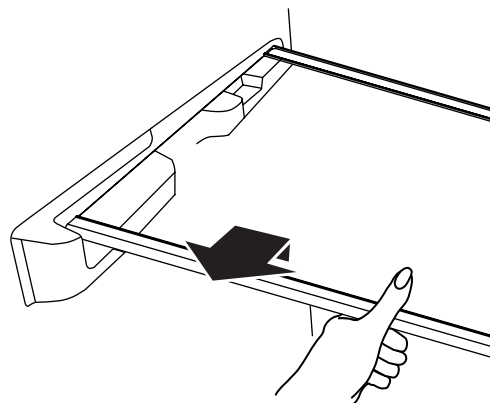
Ce manuel couvre plusieurs modèles différents. Le congélateur que vous avez acheté peut comporter certaines ou toutes les caractéristiques indiquées ci-dessous. Les emplacements des caractéristiques peuvent ne pas correspondre au modèle que vous avez.

Tablettes du congélateur

Remiser ensemble les aliments semblables et ajuster la hauteur des tablettes. Ceci permettra de réduire le temps d'ouverture de la porte du congélateur et d'économiser de l'énergie.

Pour retirer et réinstaller une tablette :

1. Retirer la tablette en la soulevant et en la tirant pour l'extraire.



2. Réinstaller la tablette en l'abaissant sur les supports situés sur la paroi latérale.

Barrière d'entreposage (sur certains modèles)

Pour abaisser et lever la barrière d'entreposage :

1. Soulever légèrement le sommet de la barrière, hors des appuis.
2. Retourner la grille à la position verticale. Abaisser la barrière dans les appuis.

ENTRETIEN DU CONGÉLATEUR

AVERTISSEMENT



Risque d'explosion

Utiliser un produit de nettoyage ininflammable.

Le non-respect de cette instruction peut causer un décès, une explosion ou un incendie.

Nettoyage du congélateur

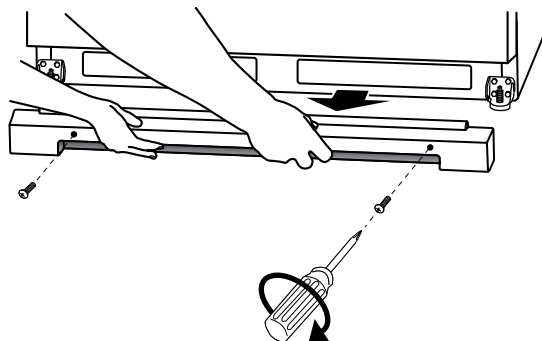
“Sans givre” signifie que le congélateur n’aura pas besoin d’être dégivré. Le givre est enlevé par l’air en circulation qui accapare toute humidité et la dépose sur le serpentin de refroidissement. Le serpentin de refroidissement se réchauffe périodiquement, juste assez pour faire fondre le givre, et ensuite l’écoule dans le plat d’égouttage (situé derrière la grille de la base) où le liquide s’évapore.

Un nettoyage complet doit être fait au moins une fois par année.

1. Appuyer sur le bouton TEMP SETTING (réglage de la température) pendant 3 secondes pour désactiver le refroidissement.
2. Débrancher le congélateur ou déconnecter la source de courant électrique.
3. Retirer tous les aliments congelés. Envelopper les aliments congelés dans plusieurs épaisseurs de journaux et recouvrir d’une couverture. Les aliments demeureront congelés pendant plusieurs heures. On peut aussi entreposer les aliments congelés dans un contenant refroidisseur, un congélateur/réfrigérateur supplémentaire ou dans un endroit froid.
4. Retirer toutes les pièces amovibles de l’intérieur, comme les tablettes, bacs, etc.
5. Laver à la main, rincer et sécher les pièces amovibles et les surfaces internes à fond. Utiliser une éponge propre ou un linge doux et un détergent doux dans de l’eau tiède.
 - Ne pas utiliser des nettoyeurs abrasifs tels que les nettoyeurs à vitre en atomiseurs, nettoyeurs à récurer, liquides inflammables, cires nettoyantes, détergents concentrés, eaux de Javel ou nettoyeurs contenant du pétrole sur les pièces en plastique, les garnitures intérieures ou les joints de portes. Ne pas utiliser d’essuie-tout, de tampons à récurer ou d’autres outils de nettoyage abrasif. Ces produits risquent d’égratigner ou d’endommager les matériaux.
 - Pour aider à éliminer les odeurs, on peut laver les parois intérieures avec un mélange d’eau tiède et de bicarbonate de soude (2 c. à soupe pour 1 pinte (26 g pour 0,95 L) d’eau).
6. Replacer les pièces amovibles.
7. Utiliser la méthode de nettoyage adéquate pour votre finition extérieure.

Métal peint : Laver les surfaces extérieures avec une éponge propre ou un linge doux et un détergent doux dans de l’eau tiède. Ne pas utiliser de nettoyant fort ou abrasif, ni de nettoyant conçu pour l’acier inoxydable. Sécher à fond avec un linge doux.

8. Ouvrir la porte du congélateur et retirer la grille de la base en enlevant les 2 vis Phillips et en tirant la grille vers soi.

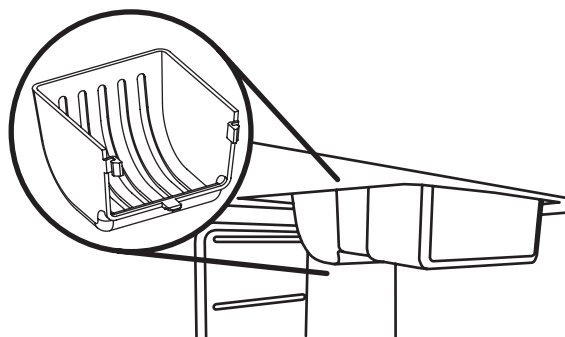


9. Réinstaller la grille de la base en alignant les extrémités de la grille avec les dispositifs de nivellement de chaque côté et emboîter la grille. Réinstaller les vis.
10. Replacer tous les aliments congelés.
11. Brancher le congélateur ou reconnecter la source de courant électrique.
12. Régler la commande de température au réglage désiré. Voir la section “Utilisation de la commande”.

Remplacement de l’ampoule d’éclairage

REMARQUE : Votre congélateur ne pourra pas accommoder toutes les ampoules pour appareils ménagers. S’assurer de remplacer l’ampoule par une ampoule de grosseur, de forme et de puissance semblables.

1. Débrancher le congélateur ou déconnecter la source de courant électrique.
2. Retirer le protège-ampoule en appuyant sur les côtés du protège-ampoule, en poussant et en tirant vers le bas.



3. Utiliser uniquement une ampoule pour appareil électroménager de 40 watts maximum ou une ampoule DEL cotée pour les environnements humides/mouillés.

REMARQUE : Certaines ampoules DEL de rechange ne sont pas recommandées pour des environnements humides/mouillés. Les compartiments de réfrigération et de congélation sont considérés comme des environnements humides/mouillés. Lire et suivre les instructions sur l’emballage des ampoules DEL au moment de remplacer l’ampoule DEL installée à l’usine. Une ampoule DEL de rechange peut être achetée chez un revendeur agréé.
4. Replacer le protège-ampoule.
5. Brancher le congélateur ou reconnecter la source de courant électrique.

Pannes de courant électrique

Si le courant électrique est interrompu pendant 24 heures ou moins, garder la porte fermée pour aider les aliments à demeurer froids et congelés.

Si le courant est interrompu pendant plus de 24 heures, faire l'une des choses suivantes :

- Retirer tous les aliments congelés et les entreposer dans un casier frigorifique.
- S'il n'y a pas de casier frigorifique, consommer ou mettre immédiatement en conserve les aliments périssables.

À NOTER : Un congélateur plein restera froid plus longtemps qu'un congélateur partiellement rempli. Un congélateur plein de viande demeure froid plus longtemps qu'un congélateur rempli d'aliments cuits. Si les aliments contiennent des cristaux de glace, ils peuvent être remis à congeler, cependant la qualité et la saveur risquent d'être affectées. Si les aliments semblent de piètre qualité ou douteux, les jeter.

Déménagement

En cas de déménagement et de déplacement du congélateur dans une nouvelle habitation, suivre ces étapes pour préparer le déménagement.

1. Enlever tous les aliments congelés.
2. Débrancher le congélateur.
3. Retirer toutes les pièces amovibles, bien les envelopper et les attacher ensemble avec du ruban adhésif pour qu'elles ne bougent ou ne s'entrechoquent pas durant le déménagement.
4. Bien nettoyer le congélateur.
5. Immobiliser le couvercle du congélateur avec un ruban adhésif et fixer le cordon électrique à la caisse avec un ruban adhésif.

Lorsque vous arrivez à la nouvelle demeure, consulter les sections "Installation du congélateur" et "Utilisation du congélateur" pour des renseignements sur l'installation et le réglage des commandes.

DÉPANNAGE

Essayer d'abord les solutions suggérées ici. Pour obtenir de l'aide ou des conseils qui permettront peut-être d'éviter une intervention de dépannage, consulter la page de garantie de ce manuel et balayer le code QR avec votre appareil intelligent ou consulter le site internet www.maytag.com/product_help. Au Canada, consulter le <http://www.maytag.ca>.

Vous pouvez adresser tous commentaires ou questions par courrier à l'adresse ci-dessous :

Aux États-Unis :

Maytag Brand Home Appliances
Customer eXperience Center
553 Benson Road
Benton Harbor, MI 49022-2692

Au Canada :

Maytag Brand Home Appliances
Customer eXperience Centre
200 – 6750 Century Ave.
Mississauga ON L5N 0B7

Dans votre correspondance, veuillez indiquer un numéro de téléphone où l'on peut vous joindre dans la journée.

Fonctionnement du congélateur

⚠ AVERTISSEMENT



Risque de choc électrique

Brancher sur une prise à 3 alvéoles reliée à la terre.

Ne pas enlever la broche de liaison à la terre.

Ne pas utiliser un adaptateur.

Ne pas utiliser un câble de rallonge.

Le non-respect de ces instructions peut causer un décès, un incendie ou un choc électrique.

⚠ AVERTISSEMENT



Risque d'explosion

Utiliser un produit de nettoyage ininflammable.

Le non-respect de cette instruction peut causer un décès, une explosion ou un incendie.

PROBLÈME	SOLUTION RECOMMANDÉE
Le congélateur ne fonctionne pas	Vérifier que le congélateur est branché sur une prise de courant à 3 alvéoles reliée à la terre. Vérifier que la commande de température est allumée. Vérifier qu'aucun programme automatique de dégivrage n'est en cours. Remplacer le fusible ou réenclencher le disjoncteur. REMARQUE : Si le problème persiste, appeler un électricien.
Les lampes ne fonctionnent pas	Vérifier que le congélateur est branché sur une prise de courant à 3 alvéoles reliée à la terre. Vérifier que l'ampoule est bien serrée dans la douille et qu'elle n'est pas grillée.
Le bac de dégivrage contient de l'eau	Il est normal que de l'eau s'égoutte dans le bac de dégivrage lorsque le congélateur est en cours de dégivrage. Lorsque le taux d'humidité est élevé, il est normal que l'eau dans le bac de dégivrage prenne plus de temps à s'évaporer.
Le moteur semble fonctionner excessivement	Vérifier que la porte ferme correctement. Dégivrer et nettoyer le congélateur afin de retirer l'excès de givre. L'ajout d'une grande quantité d'aliments réchauffe le congélateur, l'obligeant à fonctionner plus longtemps pour refroidir. Dans ce cas, prévoir un délai d'environ 6 à 8 heures pour que le congélateur atteigne la température adéquate. Retirer tous les articles en une seule fois, ranger les aliments de façon organisée et refermer la porte le plus vite possible. Vérifier que les serpentins du condenseur sont propres. Vérifier que le joint du couvercle est hermétique sur toute la surface de contact. Si ce n'est pas le cas, contacter une personne ou un technicien qualifié. Vérifier que l'espace autour du congélateur répond aux exigences en matière de circulation de l'air. Voir la section "Exigences d'emplacement". REMARQUE : Si aucun des problèmes évoqué n'est rencontré, votre nouveau congélateur fonctionnera plus longtemps que l'ancien grâce à son moteur à haute efficacité.

PROBLÈME	SOLUTION RECOMMANDÉE
La température est trop élevée	<p>Enlever les objets devant les ouvertures. Voir la section “Pour s’assurer d’une circulation d’air appropriée” pour l’emplacement des ouvertures.</p> <p>Retirer tous les articles en une seule fois, ranger les aliments de façon organisée et refermer la porte le plus vite possible.</p> <p>L’ajout d’une grande quantité d’aliments réchauffe le congélateur, l’obligeant à fonctionner plus longtemps pour refroidir.</p> <p>Vérifier que le réglage de la commande de température est adapté à l’environnement de l’appareil.</p>
Le porte ne ferme pas complètement ou est difficile à ouvrir	<p>Vérifier qu’aucun emballage d’aliments n’empêche la fermeture de la porte.</p> <p>Sur certains modèles, vérifier que les tablettes et les paniers sont positionnés correctement.</p> <p>Vérifier que les joints sont propres. Voir la section “Entretien du congélateur”.</p> <p>Vérifier que le congélateur est stable. Voir la section “Nivellement du congélateur et fermeture de la porte”.</p>
Le congélateur émet un fort bourdonnement/cliquetis	<p>Si le congélateur a récemment été branché ou allumé à la suite d’un dégivrage ou d’un déplacement, ou si une longue panne de courant s’est produite, éteindre l’alarme de température pour les 24 prochaines heures.</p> <p>Ajouter une grande quantité d’aliments réchauffe le congélateur. Plusieurs heures peuvent être nécessaires pour que le congélateur revienne à la température normale. Éteindre l’alarme de température pour les 24 prochaines heures.</p>

GARANTIE LIMITÉE DES APPAREILS DE RÉFRIGÉRATION MAYTAG®

ATTACHEZ ICI VOTRE REÇU DE VENTE. UNE PREUVE D’ACHAT EST OBLIGATOIRE POUR OBTENIR L’APPLICATION DE LA GARANTIE.

Lorsque vous appelez le centre d’eXpérience de la clientèle, veuillez garder à disposition les renseignements suivants :

- Nom, adresse et numéro de téléphone
- Numéros de modèle et de série
- Une description claire et détaillée du problème rencontré
- Une preuve d’achat incluant le nom et l’adresse du marchand ou du détaillant

SI VOUS AVEZ BESOIN DE SERVICE :

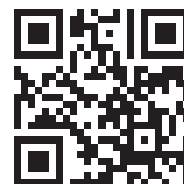
1. Avant de nous contacter pour obtenir un dépannage, veuillez déterminer si des réparations sont nécessaires pour votre produit. Certains problèmes peuvent être résolus sans intervention de dépannage. Prenez quelques minutes pour parcourir la section Dépannage ou Résolution de problèmes du guide d’utilisation et d’entretien, scannez le code QR ci-contre avec votre téléphone intelligent pour accéder à des ressources supplémentaires, ou rendez-vous sur le site <http://www.maytag.ca>.

2. Tout service sous garantie doit être effectué exclusivement par nos fournisseurs de dépannage autorisés Maytag. Aux É.-U. et au Canada, dirigez toutes vos demandes de service sous garantie au

Centre d’eXpérience de la clientèle Maytag

Aux É.-U., composer le 1-800-688-9900. Au Canada, composer le 1-800-807-6777.

Si vous résidez à l’extérieur du Canada et des 50 États des États-Unis, contactez votre marchand Maytag autorisé pour déterminer si une autre garantie s’applique.



<http://www.maytag.ca>

CE QUI EST COUVERT

GARANTIE LIMITÉE DURANT LA PREMIÈRE ANNÉE (PIÈCES ET MAIN-D'ŒUVRE)

Pendant un an à compter de la date d'achat, lorsque ce gros appareil ménager est installé, utilisé et entretenu conformément aux instructions jointes au produit ou fournies avec, la marque Maytag de Whirlpool Corporation ou Whirlpool Canada, LP (ci-après désignées "Maytag") paiera pour les pièces de rechange spécifiées par l'usine et pour la main-d'œuvre pour corriger les vices de matériaux ou de fabrication qui existaient déjà lorsque ce gros appareil ménager a été acheté. S'il est remplacé, l'appareil sera couvert pour la période restant à courir de la garantie limitée d'un an du produit d'origine.

GARANTIE LIMITÉE DE LA DEUXIÈME À LA DIXIÈME ANNÉE (COMPRESSEUR UNIQUEMENT - MAIN-D'ŒUVRE NON COMPRISE)

De la deuxième à la dixième année inclusivement à compter de la date d'achat initiale, lorsque ce gros appareil ménager est installé, utilisé et entretenu conformément aux instructions jointes au produit ou fournies avec, Maytag paiera pour un compresseur de rechange spécifié par l'usine pour corriger les défauts non esthétiques de matériau ou de fabrication de ladite pièce qui empêchent ce gros appareil ménager de fonctionner et qui étaient déjà présents lorsque ce gros appareil ménager a été acheté. Cette garantie limitée de 10 ans s'applique uniquement au compresseur et ne comprend pas la main-d'œuvre

LE SEUL ET EXCLUSIF RECOURS DU CLIENT DANS LE CADRE DE LA PRÉSENTE GARANTIE LIMITÉE CONSISTE EN LA RÉPARATION PRÉVUE PAR LA PRÉSENTE. Le service doit être fourni par une compagnie de service désignée par Maytag. Cette garantie limitée est valide uniquement aux États-Unis ou au Canada et s'applique exclusivement lorsque le gros appareil ménager est utilisé dans le pays où il a été acheté. La présente garantie limitée est valable à compter de la date d'achat initial par le consommateur. Une preuve de la date d'achat initial est exigée pour obtenir un dépannage dans le cadre de la présente garantie limitée.

CE QUI N'EST PAS COUVERT

1. Usage commercial, non résidentiel ou par plusieurs familles, ou non-respect des instructions de l'utilisateur, de l'opérateur ou des instructions d'installation.
2. Visite d'instruction à domicile pour montrer à l'utilisateur comment utiliser l'appareil.
3. Visites de service pour rectifier une installation ou un entretien fautifs du produit, une installation non conforme aux codes d'électricité ou de plomberie, ou la rectification de l'installation électrique ou de la plomberie du domicile (ex : câblage électrique, fusibles ou tuyaux d'arrivée d'eau du domicile).
4. Pièces consommables (ex : ampoules, batteries, filtres à air ou à eau, solutions de conservation, etc.).
5. Défauts ou dommage résultant de l'utilisation de pièces ou accessoires Maytag non authentiques.
6. Dommages causés par : accident, mésusage, abus, incendie, inondations, catastrophe naturelle ou l'utilisation de produits non approuvés par Maytag.
7. Réparations aux pièces ou systèmes dans le but de rectifier un dommage ou des défauts résultant d'une réparation, altération ou modification non autorisée faite à l'appareil.
8. Défauts d'apparence, notamment les éraflures, traces de choc, fissures ou tout autre dommage subi par le fini de l'appareil ménager, à moins que ces dommages ne résultent de vices de matériaux ou de fabrication et ne soient signalés à Maytag dans les 30 jours suivant la date d'achat.
9. Décoloration, rouille ou oxydation des surfaces résultant d'environnements caustiques ou corrosifs incluant des concentrations élevées de sel, un haut degré d'humidité ou une exposition à des produits chimiques (exemples non exhaustifs).
10. Perte d'aliments ou de médicaments due à la défaillance du produit.
11. Enlèvement ou livraison. Ce produit est conçu pour être réparé à l'intérieur du domicile.
12. Frais de déplacement et de transport pour le dépannage/la réparation dans une région éloignée où une compagnie de service Maytag autorisée n'est pas disponible.
13. Retrait ou réinstallation d'appareils inaccessibles ou de dispositifs préinstallés (ex : garnitures, panneaux décoratifs, plancher, meubles, îlots de cuisine, plans de travail, panneaux de gypse, etc.) qui entravent le dépannage, le retrait ou le remplacement du produit.
14. Service et pièces pour des appareils dont les numéros de série et de modèle originaux ont été enlevés, modifiés ou ne peuvent pas être facilement identifiés.

Le coût d'une réparation ou d'un remplacement dans le cadre de ces circonstances exclues est à la charge du client.

CLAUSE D'EXONÉRATION DE RESPONSABILITÉ AU TITRE DES GARANTIES IMPLICITES

LES GARANTIES IMPLICITES, Y COMPRIS LES GARANTIES APPLICABLES DE QUALITÉ MARCHANDE OU D'APTITUDE À UN USAGE PARTICULIER, SONT LIMITÉES À UN AN OU À LA PLUS COURTE PÉRIODE AUTORISÉE PAR LA LOI. Certains États et provinces ne permettent pas de limitation sur la durée des garanties implicites de qualité marchande ou d'aptitude à un usage particulier, de sorte que la limitation ci-dessus peut ne pas être applicable dans votre cas. Cette garantie vous confère des droits juridiques spécifiques et vous pouvez également jouir d'autres droits qui peuvent varier d'une juridiction à l'autre.

EXONÉRATION DE RESPONSABILITÉ DANS LES DOMAINES NON COUVERTS PAR LA GARANTIE

Maytag décline toute responsabilité au titre de la qualité, de la durabilité ou en cas de dépannage ou de réparation nécessaire sur ce gros appareil ménager autre que les responsabilités énoncées dans la présente garantie. Si vous souhaitez une garantie plus étendue ou plus complète que la garantie limitée fournie avec ce gros appareil ménager, adressez-vous à Maytag ou à votre détaillant pour obtenir les modalités d'achat d'une garantie étendue.

LIMITATION DES RECOURS; EXCLUSION DES DOMMAGES FORTUITS OU INDIRECTS

LE SEUL ET EXCLUSIF RECOURS DU CLIENT DANS LE CADRE DE LA PRÉSENTE GARANTIE LIMITÉE CONSISTE EN LA RÉPARATION PRÉVUE PAR LA PRÉSENTE. MAYTAG N'ASSUME AUCUNE RESPONSABILITÉ POUR LES DOMMAGES FORTUITS OU INDIRECTS. Certains États et certaines provinces ne permettent pas l'exclusion ou la limitation des dommages fortuits ou indirects de sorte que ces limitations et exclusions peuvent ne pas être applicables dans votre cas. Cette garantie vous confère des droits juridiques spécifiques et vous pouvez également jouir d'autres droits qui peuvent varier d'une juridiction à l'autre.



Manual del usuario

Congelador vertical

LE AGRADECEMOS la compra de este producto de alta calidad. Registre su congelador en www.maytag.com. En Canadá, registre su congelador en www.maytag.ca.

Para referencia futura, tome nota de los números de modelo y de serie de su producto; puede buscarlos en el interior del congelador.

Número de modelo _____

Número de serie _____

ÍNDICE

SEGURIDAD	26	Uso del control	32
Cómo deshacerse adecuadamente de un congelador o refrigerador viejo	27	Freezer Features.....	33
CÓMO INSTALAR EL CONGELADOR	28	CUIDADO DEL CONGELADOR	33
Desempaqué	28	Limpieza del congelador sin escarcha	33
Requisitos de ubicación.....	28	Cómo cambiar el foco.....	34
Requisitos eléctricos	29	Cortes de corriente	34
Puerta del congelador.....	29	Cuidado para la mudanza.....	34
Nivelación del congelador y cierre de las puertas.....	31	SOLUCIÓN DE PROBLEMAS	35
FUNCIONAMIENTO DEL CONGELADOR	32	Funcionamiento del congelador	35
Cómo asegurar la debida circulación de aire	32	GARANTÍA	37

SEGURIDAD

Su seguridad y la seguridad de los demás es muy importante.

Hemos incluido muchos mensajes importantes de seguridad en este manual y en su electrodoméstico. Lea y obedezca siempre todos los mensajes de seguridad.



Este es el símbolo de alerta de seguridad.

Este símbolo le llama la atención sobre peligros potenciales que pueden ocasionar la muerte o una lesión a usted y a los demás.

Todos los mensajes de seguridad irán a continuación del símbolo de advertencia de seguridad y de la palabra "PELIGRO" o "ADVERTENCIA". Estas palabras significan:

 **PELIGRO**

Si no sigue las instrucciones de inmediato, usted puede morir o sufrir una lesión grave.

 **ADVERTENCIA**

Si no sigue las instrucciones, usted puede morir o sufrir una lesión grave.

Todos los mensajes de seguridad le dirán el peligro potencial, le dirán cómo reducir las posibilidades de sufrir una lesión y lo que puede suceder si no se siguen las instrucciones.

INSTRUCCIONES IMPORTANTES DE SEGURIDAD

ADVERTENCIA: Para reducir el riesgo de incendio, choque eléctrico o lesiones personales al usar su congelador, siga estas precauciones básicas:

- Conecte a un contacto de pared de conexión a tierra de 3 terminales.
- No quite el terminal de conexión a tierra.
- No use un adaptador.
- No use un cable eléctrico de extensión.
- Desconecte el suministro de energía antes de darle servicio.
- Vuelva a colocar todas las piezas y los paneles antes de ponerlo a funcionar.
- Use un limpiador no inflamable.
- Mantenga los materiales y vapores inflamables, tales como gasolina, alejados del congelador.
- Use dos o más personas para mover e instalar el congelador.
- Mantenga fuera del alcance de los niños.
- Remueva las puertas o la tapa de su congelador o refrigerador viejo.
- Desconecte el suministro de energía antes de instalar la fábrica de hielo (en aquellos modelos que incluyen el juego de instalación de la fábrica de hielo).

GUARDE ESTAS INSTRUCCIONES

Advertencias de la Proposición 65 del estado de California:

ADVERTENCIA: Este producto contiene una o más sustancias químicas identificadas por el estado de California como causantes de cáncer.

ADVERTENCIA: Este producto contiene una o más sustancias químicas identificadas por el estado de California como causantes de defectos congénitos o algún otro tipo de daños en la función reproductora.

Cómo deshacerse adecuadamente de un congelador o refrigerador viejo

ADVERTENCIA

Peligro de Asfixia

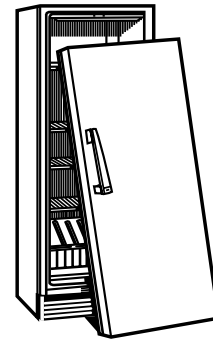
Remueva las puertas o la tapa de su congelador o refrigerador viejo.

No seguir esta instrucción puede ocasionar la muerte o daño al cerebro.

IMPORTANTE: El atrapamiento y la asfixia de los niños no son problemas del pasado. Los congeladores o los refrigeradores desechados o abandonados siguen siendo peligrosos, incluso aunque vayan a dejarse “por pocos días”. Si está por deshacerse de su refrigerador o congelador viejo, siga las instrucciones a continuación para prevenir accidentes.

Antes de tirar su viejo congelador o refrigerador:

- Saque las puertas o la tapa.
- Deje los estantes en su lugar así los niños no pueden meterse adentro con facilidad.



Información importante para saber acerca del desecho de refrigerantes:

Deshágase del congelador siguiendo los reglamentos federales y locales. Los refrigerantes deberán ser evacuados por un técnico certificado en refrigeración por EPA (Agencia de protección del medioambiente) según los procedimientos establecidos.

CÓMO INSTALAR EL CONGELADOR

Desempaque

⚠️ ADVERTENCIA

Peligro de Peso Excesivo

Use dos o más personas para mover e instalar el congelador.

No seguir esta instrucción puede ocasionar una lesión en la espalda u otro tipo de lesiones.

Retire los materiales de empaque

- Quite los residuos de cinta y pegamento de las superficies antes de encender el congelador. Frote un poco de detergente líquido para vajilla sobre el adhesivo con los dedos. Limpie con agua tibia y seque.
- No use instrumentos filosos, alcohol para fricciones, líquidos inflamables o productos de limpieza abrasivos para eliminar los restos de cinta o pegamento. Estos productos pueden dañar la superficie de su congelador. Para más información, vea "Seguridad".

Cómo mover su congelador:

Su congelador es muy pesado. Cuando mueva su congelador para limpiarlo o darle servicio, proteja el piso. Al mover el congelador, siempre tire directamente hacia afuera. No menee el congelador de lado a lado ni lo haga "caminar" cuando lo trate de mover ya que podría dañar el piso.

Limpieza antes del uso

Una vez que usted haya quitado todos los materiales de empaque, limpie el interior de su congelador antes de usarlo. Consulte las instrucciones de limpieza en la sección "Cuidado del congelador."

Información importante para saber acerca de los estantes y tapas de vidrio:

No limpie los estantes y tapas de vidrio con agua caliente mientras están fríos. Los estantes y tapas pueden romperse si se exponen a cambios bruscos de temperatura o impacto, como sería un golpe brusco. El vidrio templado se ha diseñado para hacerse añicos. Esto es normal. Los estantes y tapas de vidrio son muy pesados. Use ambas manos al sacarlos para evitar que se caigan.

Requisitos de ubicación

⚠️ ADVERTENCIA



Peligro de Explosión

Mantenga los materiales y vapores inflamables, tales como gasolina, alejados del congelador.

No seguir esta instrucción puede ocasionar la muerte, explosión, o incendio.

Ventilación y holgura

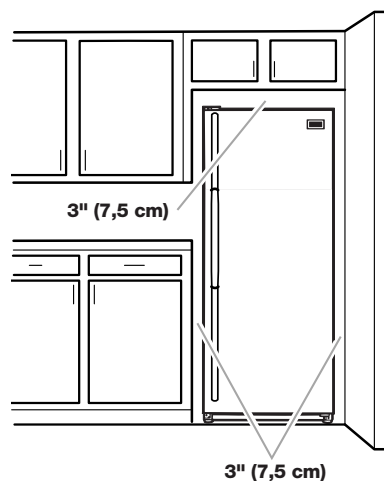
- Mantenga los materiales y vapores inflamables, tales como gasolina, alejados del congelador.
- No cubra el congelador con artículos tales como frazadas, sábanas, cubre mesas, etc. Esto reducirá la circulación del aire.
- Deje un espacio de aire de al menos 3" (7,5 cm) en la parte superior y a ambos lados del congelador y de 1" (2,5 cm) entre la parte posterior del congelador y la pared. Si el congelador va a estar contra una pared fija, deje espacio adicional del lado de la bisagra para que la puerta pueda abrirse con más amplitud.

Temperatura

El congelador funciona con máxima eficiencia cuando está ubicado en un área con temperaturas no inferiores a 40 °F (5 °C). Coloque el congelador en un lugar donde la temperatura no descienda por debajo de esta temperatura recomendada.

Traslado a la ubicación final

NOTA: Deje un espacio de 3" (7,5 cm) en la parte superior y los costados y un espacio de ¼" (6,4 mm) entre los electrodomésticos.



Requisitos eléctricos

⚠ ADVERTENCIA



Peligro de Choque Eléctrico

Conecte a un contacto de pared de conexión a tierra de 3 terminales.

No quite la terminal de conexión a tierra.

No use un adaptador.

No use un cable eléctrico de extensión.

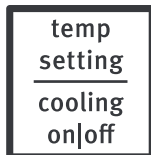
No seguir estas instrucciones puede ocasionar la muerte, incendio o choque eléctrico.

Antes de mover el congelador a su ubicación final, es importante asegurarse de tener la conexión eléctrica adecuada.

Método de conexión a tierra recomendado

Se requiere una fuente de energía eléctrica de 115 Voltios, 60 Hz., CA solamente y con fusibles de 15 ó 20 amperios, conectada a tierra. Se recomienda utilizar un circuito separado sólo para su congelador. Use un tomacorriente que no se pueda apagar con un interruptor. No use un cable eléctrico de extensión.

NOTA: Antes de realizar cualquier tipo de instalación, limpieza o cambio de un foco de luz, mantenga presionado TEMP SETTING (Ajuste de temperatura) durante 3 segundos para desactivar el enfriamiento y desconecte el congelador del suministro de energía.



hold 3 sec.

Puerta del congelador

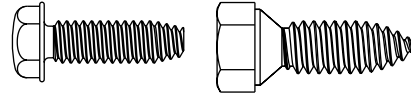
Herramientas necesarias: Llave de cubo de cabeza hexagonal de $\frac{5}{16}$ ", llave de cubo de cabeza hexagonal de $\frac{3}{8}$ ", cuchillo plano para masilla de 2".

IMPORTANTE:

- Todas las ilustraciones a las que se hace referencia en las siguientes instrucciones se incluyen más adelante en esta sección después de "Pasos finales". Las ilustraciones muestran una puerta con sentido de apertura hacia la derecha (bisagras instaladas en fábrica a la derecha).

- Si usted sólo quiere quitar la puerta y volverla a colocar, vea "Cómo quitar la puerta y las bisagras" y "Cómo volver a poner la puerta y las bisagras en su lugar".
- Antes de comenzar, presione y mantenga presionado TEMP SETTING (Configuración de temperatura) durante 3 segundos para apagar el enfriamiento, quite los alimentos y la puerta ajustable, o los compartimientos de la puerta.

Cómo quitar la puerta y las bisagras



Tornillos de la bisagra

1. Desenchufe el congelador o desconecte el suministro de energía.
2. Mantenga la puerta del congelador cerrada hasta que esté listo para levantarla y quitarla de la carcasa.
NOTA: Mientras cambia de lugar las bisagras, disponga de un soporte adicional para la puerta. No se confíe en que los imanes de las puertas van a sostener la puerta en su lugar mientras trabaja.
3. Quite los componentes de la bisagra superior como se muestra en la ilustración Bisagra superior.
4. Levante la puerta del congelador para quitarla de la bisagra inferior y del gabinete y déjela a un lado.
5. Quite el conjunto de los 4 tornillos de bisagra de cabeza hexagonal y la bisagra inferior. Vea la ilustración Bisagra inferior.

Cambio del sentido de apertura de la puerta (opcional, en algunos modelos)

IMPORTANTE: Si desea invertir la apertura de la puerta para que se abra en el sentido opuesto, continúe con las instrucciones de "Cambio del sentido de apertura de la puerta (opcional, en algunos modelos)". Si no desea cambiar el sentido de apertura de la puerta, vea "Cómo volver a poner la puerta y las bisagras en su lugar".

Gabinete

1. Quite los tapones de los orificios de la bisagra de la parte superior del gabinete y colóquelos en los orificios de la bisagra del lado opuesto, como se muestra en la ilustración 2.
2. Quite el pasador de la bisagra inferior del soporte de la bisagra.
3. Quite los adhesivos que cubren los orificios del lado opuesto de la bisagra inferior.
4. Vuelva a instalar el pasador de la bisagra inferior en el orificio alternativo del soporte de la bisagra. Vea la ilustración 3.
5. Vuelva a instalar el soporte de la bisagra en el gabinete con los 4 tornillos de cabeza hexagonal para bisagra.

Puerta

1. Quite el tapón del orificio del guardacabo de la bisagra en la parte superior de la puerta.
2. Quite el tope de puerta de la parte inferior de la puerta.
3. Traslade el tope de puerta al lado contrario y asegúrese de que el orificio de la placa del tope de la puerta se alinee perfectamente con el orificio de la puerta para el pasador de la bisagra inferior.
4. Use los tornillos que quitó en el paso 2 para sujetar el soporte del tope de la puerta en la parte inferior de la puerta.
5. Apriete todos los tornillos. Ponga la puerta a un lado hasta que la bisagra inferior esté en su lugar.

Cómo volver a poner la puerta y las bisagras en su lugar

NOTA: Si el sentido de abertura de la puerta se cambia, la ilustración de la puerta pudiera quedar invertida.

1. Vuelva a colocar las piezas de la bisagra inferior como se muestra y apriete los tornillos. Vea la ilustración Bisagra inferior. Vuelva a poner en su lugar la puerta del congelador.

NOTA: Mientras quita las bisagras, siempre disponga de un soporte adicional para la puerta. No se confíe en que los imanes de las puertas van a sostener la puerta en su lugar mientras trabaja.

2. Ensamble los componentes de la bisagra superior como se muestra en la ilustración Bisagra superior. No apriete completamente los tornillos.

Pasos finales

1. Revise todos los orificios para cerciorarse de que los tapones de los orificios y los tornillos estén en su lugar. Vuelva a instalar la cubierta de la bisagra superior. Vea la ilustración de la bisagra superior.
2. Use los adhesivos que se proporcionan para cubrir los orificios restantes del lado opuesto de la bisagra inferior.

⚠ ADVERTENCIA



Peligro de Choque Eléctrico

Conecte a un contacto de pared de conexión a tierra de 3 terminales.

No quite la terminal de conexión a tierra.

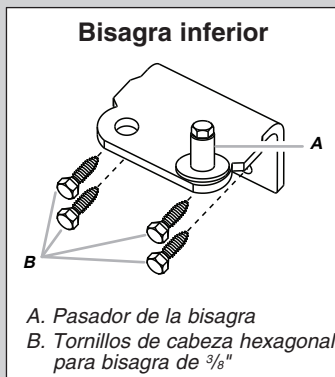
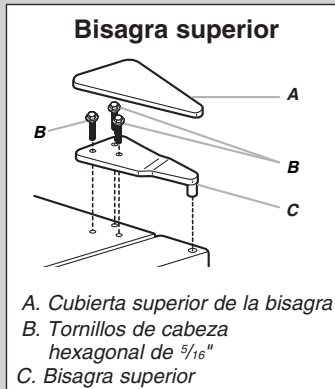
No use un adaptador.

No use un cable eléctrico de extensión.

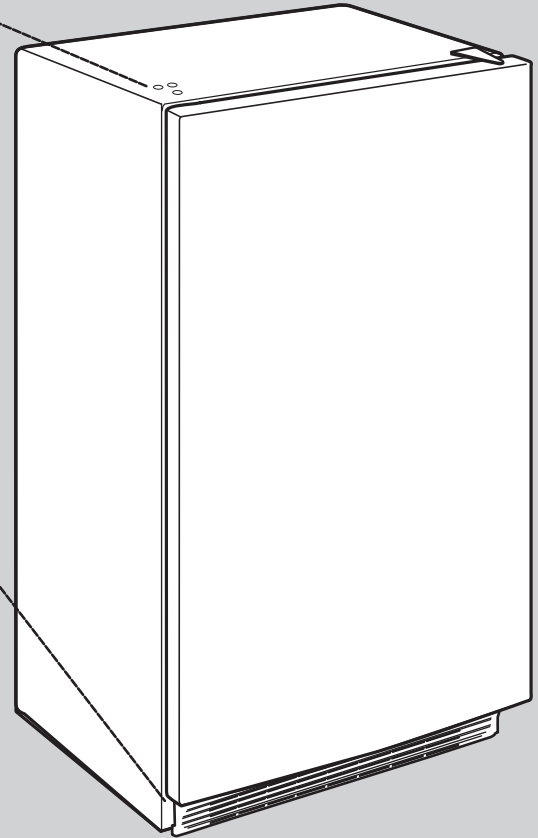
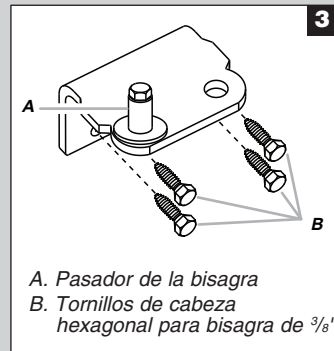
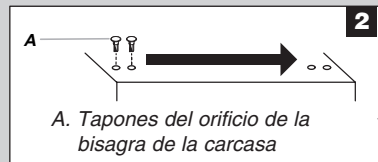
No seguir estas instrucciones puede ocasionar la muerte, incendio o choque eléctrico.

3. Conecte a una toma de 3 terminales con conexión a tierra.
4. Vuelva a ajustar el control. Vea "Uso del control".
5. Regrese todas las partes desmontables a la puerta y la comida al congelador.

Cómo quitar y volver a colocar la puerta



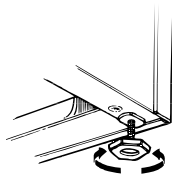
Cambio del sentido de aberturade las puertas (opcional)



Nivelación del congelador y cierre de las puertas

Estilo 1: sin rejilla

1. Ubique las dos patas niveladoras delanteras que están pegadas con cinta adhesiva entre los materiales de empaque.
2. Atornille estas patas en los orificios delanteros en la base del congelador. La parte trasera del congelador se apoya en los dos soportes fijos.
3. Regule las patas niveladoras delanteras lo suficiente como para separar el gabinete del suelo.
4. Coloque una herramienta para nivelar en la parte superior del congelador, primero de lado a lado y luego de adelante hacia atrás. Gire la pata hacia la izquierda para levantar una esquina. Gire la pata en sentido horario para bajar una esquina.



5. Repita el paso 4 hasta que el congelador quede nivelado.
6. Después de haber llenado el congelador con alimentos, vuelva a verificar con un nivel, como en el paso 4.

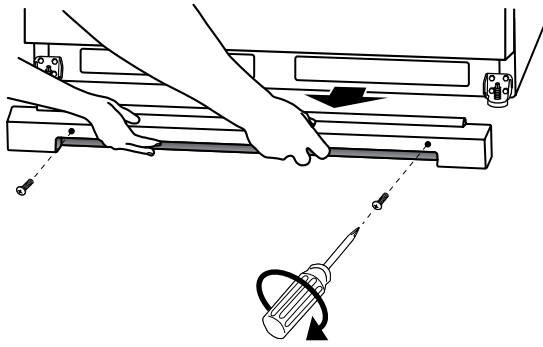
Estilo 2: con rejilla

El congelador tiene dos patas delanteras regulables, una a cada lado. La parte trasera del congelador se apoya en los dos rodillos fijos. La rejilla de la base cubre los conjuntos de las patas con freno regulables y los rodillos ubicados en la base del refrigerador debajo de la puerta. Antes de hacer cualquier ajuste, quite la rejilla de la base y traslade el congelador hasta su ubicación final. Herramientas necesarias: llave para tuercas hexagonal de $\frac{1}{4}$ ", destornillador Phillips

Herramientas necesarias: llave para tuercas hexagonal de $\frac{1}{4}$ ", destornillador Phillips

1. Quite los tornillos de la rejilla de la base. Tome la rejilla con firmeza y tire de ella hacia usted. Abra la puerta del congelador para tener acceso a las patas con freno.

NOTA: Para permitir que el congelador ruede con mayor facilidad, gire en sentido antihorario las patas con freno para elevarlas. Los rodillos delanteros tocarán el piso.



2. Mueva el congelador a su ubicación final.
3. Baje las patas con freno girándolas en sentido horario hasta que los rodillos queden separados del piso y ambas patas con freno estén apretadas contra el piso. Esto evita que el congelador ruede hacia adelante cuando se abra la puerta del congelador.
- IMPORTANTE:** Si necesita hacer otros ajustes con las patas con freno, deberá girarlas por igual para mantener nivelado el refrigerador.
4. Cerciórese de que la puerta se cierre con facilidad. Si está satisfecho con la abertura y el cierre de la puerta, pase por alto la sección que sigue. Sin embargo, si la puerta no se cierra con facilidad o se abre de golpe, regule la inclinación.
5. Asegúrese de que el congelador esté estable. Si parece inestable o rueda hacia adelante cuando se jala la puerta para abrirla, regule las patas con freno.

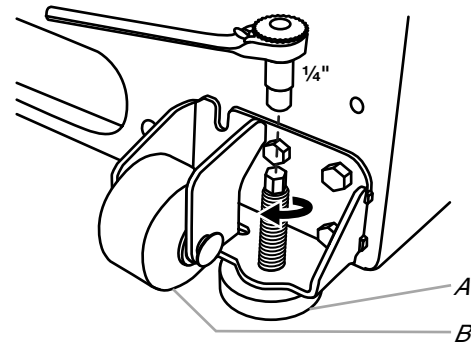
Para estabilizar el congelador:

- Abra la puerta del congelador. Con una llave hexagonal de 1/4", gire ambas patas con freno en sentido horario por igual hasta que queden ajustadas contra el piso. Verifique de nuevo. Si no está satisfecho, siga regulando las patas con freno girando el tornillo media vuelta hasta que el congelador no ruede hacia adelante cuando se abra la puerta.
6. Para volver a colocar la rejilla de la base, alinee los extremos de la rejilla con los conjuntos niveladores que hay a cada lado y encaje la rejilla a presión en su lugar. Vuelva a instalar los tornillos Phillips.

Cómo regular la inclinación del gabinete:

NOTA: Cuando alguien empuja contra la parte superior del congelador se libera un poco de peso de la pata con freno. Así se hace más fácil girarlas.

- Abra la puerta del congelador. Use una llave para tuercas hexagonal de 1/4" para girar ambas patas con freno en sentido horario por igual. Esto hará que el frente del refrigerador se eleve. Es posible que tome varias vueltas para permitir que las puertas se cierren con más facilidad.

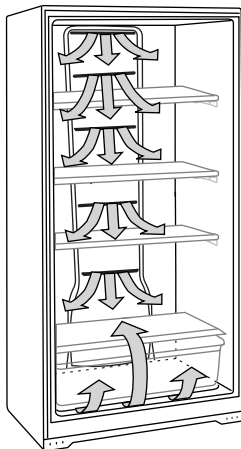


A. Pata con freno
B. Rodillo delantero

FUNCIONAMIENTO DEL CONGELADOR

Cómo asegurar la debida circulación de aire

Para asegurarse de la temperatura adecuada, debe permitir un flujo de aire apropiado en el congelador. Como se muestra en la ilustración, el aire frío entra a través de la pared del congelador y se mueve hacia abajo. Luego, el aire vuelve a circular a través del orificio que está cerca de la base.



No bloquee estos orificios de ventilación con paquetes de alimentos. Si los orificios de ventilación están bloqueados, se obstruirá el flujo del aire y se pueden producir problemas de temperatura y humedad.

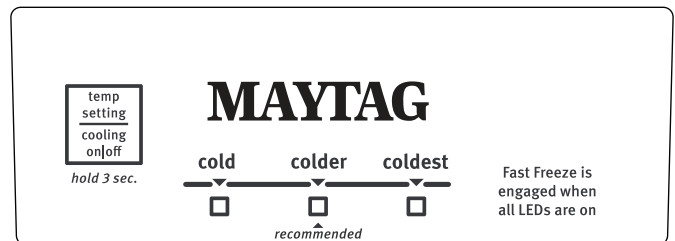
IMPORTANTE: Para evitar la transferencia de olores y la deshidratación de los alimentos, envuelva o tape bien los alimentos.

Uso del control

El control de la temperatura está en la parte superior delantera del compartimiento del congelador.

Control de temperatura

Para su comodidad, el control de temperatura ha sido prefijado de fábrica. Cuando instale inicialmente el congelador, asegúrese de que el control siga fijado en el ajuste recomendado, como se muestra.



Recomendado del congelador (Más frío)

IMPORTANTE:

- El ajuste recomendado se diseñó para mantener la temperatura aproximadamente a 0 °F (-17,8 °C), en condiciones de funcionamiento normales.
- Deje que el congelador se enfríe durante 6 a 8 horas antes de llenarlo con alimentos congelados.

- Cuando encienda el congelador por primera vez, el compresor funcionará constantemente hasta que se haya enfriado el congelador. Puede tardar hasta 6 u 8 horas (o más), según la temperatura ambiente y la cantidad de veces que se abra la puerta del congelador. Después de que el congelador se haya enfriado, el compresor encenderá y apagará, según se necesite, para mantener el congelador a la temperatura correcta.
- Es posible que la parte exterior del congelador esté tibia al tacto. Eso es normal. El diseño del congelador y su función principal es la de remover el calor de los paquetes y el espacio de aire dentro del congelador. El calor se transporta al aire de la habitación, haciendo que el exterior del congelador se sienta tibio al tacto.

Cómo ajustar el control

Si necesita ajustar la temperatura del compartimiento del congelador, presione el botón TEMP SETTING (Ajuste de temperatura) para que aparezca el ajuste de temperatura deseado entre Cold (Frío) y Coldest (Frío máximo).

NOTA: No ajuste el control en más de un ajuste por vez, excepto cuando encienda el congelador. Espere 24 horas entre los ajustes para que se establece la temperatura.

Encendido/apagado del enfriamiento

El congelador no enfriará cuando el enfriamiento esté apagado.

Para apagar el enfriamiento, mantenga presionado el botón TEMP SETTING (Ajuste de temperatura) durante 3 segundos. Cuando está apagado (Off), ninguna de las luces del panel de control está iluminada. El foco de luz principal del congelador seguirá funcionando.

Para encender el enfriamiento, mantenga presionado el botón TEMP SETTING (Ajuste de temperatura) durante 3 segundos. Cuando el enfriamiento está encendido, las luces del panel de control están iluminadas.

Congelado rápido (en algunos modelos)

Use esta característica antes de agregar grandes cantidades de alimentos sin congelar. Para una calidad óptima de los alimentos, no exceda 3 lb (1,361 g) por pie cúbico (28,32 L) de espacio del congelador.

Para activar el congelado rápido, presione el botón TEMP SETTING (Ajuste de temperatura) hasta que todas las posiciones de las luces indicadoras se iluminen simultáneamente.

El congelador permanecerá en el ajuste de congelado rápido durante 24 horas después de alcanzar la temperatura extrabaja. Una vez transcurrido ese tiempo, el congelador volverá al ajuste de temperatura anterior. Para apagar manualmente el congelado rápido, presione el botón TEMP SETTING (Ajuste de temperatura) para seleccionar el ajuste de temperatura deseado entre Cold (Frío) y Coldest (Frío máximo).

Freezer Features

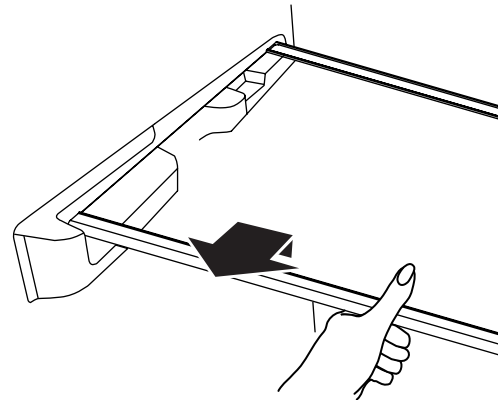
Este manual cubre varios modelos diferentes. El congelador que usted adquirió puede tener algunas o todas las características que aparecen a continuación. Es posible que la ubicación de las características no coincida con la de su modelo.

Estantes del congelador

Guarde los alimentos similares juntos y ajuste los estantes para que se adapten a las diferentes alturas. Esto reduce el tiempo que la puerta del refrigerador está abierta y ahorra energía.

Para quitar y volver a colocar un estante:

1. Para retirar el estante, levante en sentido vertical y tire del estante hacia afuera.



2. Para volver a colocar el estante, descíndalo sobre los soportes de la pared lateral.

Compuerta de almacenamiento (en algunos modelos)

Para retirar la compuerta de almacenamiento:

1. Levante ligeramente la parte superior de la compuerta para sacarla de los soportes.
2. Vuelva a colocar la compuerta en su posición original. Baje la compuerta hasta dentro de los soportes.

GUIDADO DEL CONGELADOR

ADVERTENCIA



Peligro de Explosión

Use un limpiador no inflamable.

No seguir esta instrucción puede ocasionar la muerte, explosión o incendio.

Limpeza del congelador sin escarcha

La frase "sin escarcha" significa que nunca hay que descongelar el congelador.

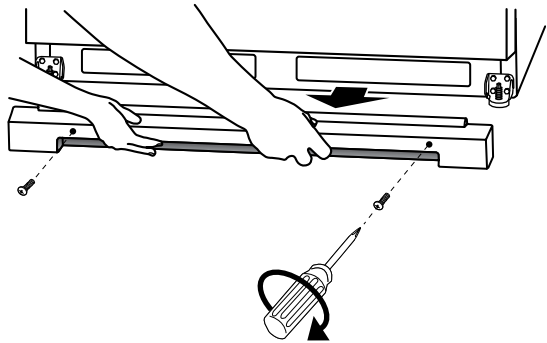
La escarcha se quita por medio del movimiento de aire y la recolección de la humedad y depositándola en el serpentín de enfriamiento.

El serpentín de enfriamiento se calienta periódicamente lo suficiente como para derretir la escarcha, la cual fluye hacia abajo hasta la bandeja de drenaje (ubicada detrás de la rejilla de la base), donde se evapora. La limpieza completa debe hacerse por lo menos una vez al año.

1. Mantenga presionado TEMP SETTING (Ajuste de temperatura) durante 3 segundos para apagar el enfriamiento.
2. Desenchufe el congelador o desconecte el suministro de energía.
3. Saque todos los alimentos congelados. Envuelva los alimentos congelados en varias capas de papel de periódico y cúbralos con una frazada. Los alimentos se mantendrán congelados por varias horas. También puede guardar los alimentos congelados en una conservadora, un refrigerador-congelador adicional o en un lugar fresco.

4. Quite todas las partes desmontables del interior, como estantes, recipientes, etc.
5. Lave a mano, enjuague y seque meticulosamente todas las partes desmontables y las superficies interiores. Use una esponja limpia o un paño liso y un detergente suave en agua tibia.
 - No use productos de limpieza abrasivos o ásperos, como rociadores para ventanas, productos de limpieza para pulir, líquidos inflamables, ceras para limpieza, detergentes concentrados, blanqueadores o productos de limpieza que contengan productos derivados del petróleo en las piezas plásticas, los revestimientos interiores y de las puertas ni en las juntas. No use toallas de papel, estropajos para fregar u otros utensilios de limpieza ásperos, porque pueden rayar o dañar los materiales.
 - Para ayudar a eliminar olores, puede lavar las paredes interiores con una mezcla de agua tibia y bicarbonato de sodio (2 cucharadas en un cuarto de galón [26 g en 0,95 L] de agua).
6. Vuelva a colocar las partes desmontables.
7. Use el método de limpieza adecuado para el acabado.

Metal pintado: limpie el exterior con una esponja o paño limpio y detergente suave con agua. No use limpiadores fuertes o diseñados para acero inoxidable. Seque completamente con un paño suave.
8. Para retirar la rejilla de la base, abra la puerta del congelador y quite los dos tornillos de cabeza Phillips. Tire de la rejilla hacia usted para retirarla.



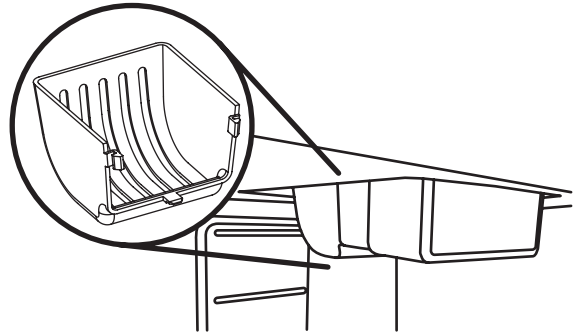
9. Para volver a colocar la rejilla de la base, alinee los extremos de la rejilla con los conjuntos niveladores que hay a cada lado y encaje la rejilla a presión en su lugar. Vuelva a instalar los tornillos.
10. Vuelva a colocar todos los alimentos congelados.
11. Enchufe el congelador o vuelva a conectar el suministro eléctrico.
12. Regule el control de temperatura al ajuste deseado. Vea "Uso del control".

Cómo cambiar el foco

NOTA: No todos los focos para electrodomésticos son adecuados para su congelador. Asegúrese de reemplazar el foco con otro foco para electrodomésticos del mismo tamaño, forma y vatiaje.

1. Desenchufe el congelador o desconecte el suministro de energía.

2. Para retirar la protección de la luz, oprima la lente de los lados, empuje hacia atrás y tire hacia abajo.



3. Cambie el foco con uno para electrodomésticos de 40 vatios como máximo o con un LED clasificado para lugares húmedos/mojados.

NOTA: Algunos focos LED de reemplazo no se recomiendan para ambientes húmedos/mojados. Los compartimientos para alimentos frescos del refrigerador y del congelador se consideran ambientes húmedos/mojados. Lea y siga todas las instrucciones del envase del LED cuando reemplace el foco LED instalado de fábrica. Puede comprar un foco LED de reemplazo a un distribuidor autorizado.
4. Vuelva a colocar la protección de la luz.
5. Enchufe el congelador o vuelva a conectar el suministro eléctrico.

Cortes de corriente

Si no va a haber electricidad por 24 horas o menos, mantenga la puerta cerrada para ayudar a que los alimentos se mantengan fríos y congelados.

Si el corte de electricidad va a durar más de 24 horas, tome una de las siguientes medidas:

- Saque todos los alimentos congelados y guárdelos en una conservadora de comida congelada.
- Si no tiene una conservadora de alimentos, consuma todos los alimentos perecederos de inmediato.

RECUERDE: Un congelador lleno se mantiene frío por más tiempo que uno a medio llenar. Un congelador lleno de carne se mantiene frío por más tiempo que uno lleno de alimentos de pastelería. Si ve que los alimentos contienen cristales de hielo, se pueden volver a congelar, pero la calidad y el sabor pueden verse afectados. Si el alimento no está en buenas condiciones, descártelo.

Cuidado para la mudanza

Si va a mudar el congelador a una casa nueva, siga estos pasos para prepararlo para la mudanza.

1. Saque todos los alimentos congelados.
2. Desenchufe el congelador.
3. Retire todas las piezas desmontables, envuélvalas bien y asegúrelas con cinta adhesiva para que no se muevan y golpeen durante la mudanza.
4. Limpie exhaustivamente el congelador.
5. Use cinta adhesiva para fijar cerrado el congelador y para asegurar el cable eléctrico al gabinete.

Cuando llegue a la casa nueva, consulte las secciones "Cómo instalar el congelador" y "Funcionamiento del congelador" para obtener información sobre la instalación y el ajuste de los controles.

SOLUCIÓN DE PROBLEMAS

Pruebe primero las soluciones sugeridas aquí. Si necesita asistencia adicional o más recomendaciones que pueden ayudarle a evitar una llamada de servicio técnico, consulte la página de la garantía de este manual y escanee el código con su dispositivo móvil o visite http://www.maytag.com/product_help. En Canadá, visite <http://www.maytag.ca>.

Contáctenos por correo con sus preguntas o dudas a la dirección que aparece a continuación:

En los EE. UU.:

Maytag Brand Home Appliances
Customer eXperience Center
553 Benson Road
Benton Harbor, MI 49022-2692

En Canadá:

Maytag Brand Home Appliances
Customer eXperience Centre
200 – 6750 Century Ave.
Mississauga ON L5N 0B7

Incluya en su correspondencia un número de teléfono en el que se le pueda localizar durante el día.

Funcionamiento del congelador

⚠ ADVERTENCIA



Peligro de Choque Eléctrico

Conecte a un contacto de pared de conexión a tierra de 3 terminales.

No quite la terminal de conexión a tierra.

No use un adaptador.

No use un cable eléctrico de extensión.

No seguir estas instrucciones puede ocasionar la muerte, incendio o choque eléctrico.

⚠ ADVERTENCIA



Peligro de Explosión

Use un limpiador no inflamable.

No seguir esta instrucción puede ocasionar la muerte, explosión o incendio.

PROBLEMA	SOLUCIONES RECOMENDADAS
El congelador no funciona	<p>Verifique que el congelador no esté funcionando en un ciclo de descongelado automático.</p> <p>Verifique que esté enchufado en un tomacorriente de 3 terminales con conexión a tierra.</p> <p>Verifique que el control de temperatura esté encendido.</p> <p>Reemplace el fusible o reposicione el cortacircuitos.</p> <p>NOTA: Si los problemas continúan, contacte a un electricista.</p>
Las luces no funcionan	<p>Verifique que esté enchufado en un tomacorriente de 3 terminales con conexión a tierra.</p> <p>Verifique que el foco de luz esté apretado en el receptáculo y que no esté quemado.</p>
Hay agua en la bandeja colectora	<p>Es normal que caigan gotas de agua en la bandeja de drenaje cuando el congelador se esté descongelando.</p> <p>Cuando la humedad es alta, es normal que el agua de la bandeja recolectora tarde más en evaporarse.</p>
El motor parece funcionar demasiado	<p>Verifique que la puerta cierre correctamente.</p> <p>Descongele y limpie el congelador para eliminar el exceso de escarcha.</p> <p>Si se agrega gran cantidad de alimentos el congelador se calienta y debe funcionar más tiempo para volver a enfriarse; en este caso, espere aproximadamente de 6 a 8 horas para que el congelador alcance la temperatura correcta.</p> <p>Retire todo lo que necesite de una sola vez, mantenga los alimentos organizados y cierre la puerta lo más rápido posible.</p> <p>Revise que la junta de la puerta esté sellada en todo el perímetro. Si no es así, llame a una persona calificada o a un técnico.</p> <p>Verifique que el espacio alrededor del congelador cumpla con los requisitos de circulación de aire. Vea "Requisitos de ubicación".</p> <p>NOTA: Si no es ninguno de los casos anteriores, su nuevo congelador funcionará durante períodos más largos que el anterior debido al motor de alto rendimiento.</p>

PROBLEM	RECOMMENDED SOLUTIONS
<p>La temperatura está demasiado elevada</p>	<p>Verifique que los orificios de ventilación estén despejados. Vea “Cómo asegurar la debida circulación del aire” para la ubicación de estos orificios.</p> <p>Retire todo lo que necesite de una sola vez, mantenga los alimentos organizados y cierre la puerta lo más rápido posible.</p> <p>Si se agrega gran cantidad de alimentos el congelador se caliente y debe funcionar más tiempo para volver a enfriarse.</p> <p>Verifique que el control de temperatura esté ajustado correctamente para las condiciones circundantes.</p>
<p>La puerta no se cierra por completo o es difícil abrirla</p>	<p>Verifique que no haya paquetes de alimentos que bloqueen la puerta.</p> <p>En algunos modelos, verifique que los estantes y la canasta se encuentren en la posición correcta.</p> <p>Verifique que las juntas estén limpias. Vea “Cuidado del congelador”.</p> <p>Verifique que el congelador esté estable. Vea “Nivelación del refrigerador y cierre de las puertas”.</p>
<p>El congelador produce un sonido fuerte de zumbido/chasquido</p>	<p>Si el congelador se enchufó o encendió recientemente después de un descongelado o una mudanza, o si ha habido un corte de energía prolongado, apague la alarma de temperatura durante las próximas 24 horas.</p> <p>Agregar grandes cantidades de alimentos hace que se caliente el congelador. Pueden transcurrir varias horas para que el congelador recupere su temperatura normal. Apague la alarma de temperatura durante las próximas 24 horas.</p>

GARANTÍA LIMITADA DEL REFRIGERADOR MAYTAG®

ADJUNTE SU RECIBO AQUÍ. SE REQUIERE LA PRUEBA DE COMPRA PARA OBTENER SERVICIO BAJO LA GARANTÍA.

Tenga a mano la siguiente información cuando llame al Centro para la eXperiencia del cliente:

- Nombre, dirección y número de teléfono
- Número de modelo y de serie
- Una descripción clara y detallada del problema
- Prueba de compra incluido el nombre y la dirección del distribuidor o vendedor

SI NECESITA SERVICIO TÉCNICO:

1. Antes de contactarnos para obtener servicio, determine si el producto requiere reparación. Algunas consultas pueden atenderse sin servicio técnico. Tómese unos minutos para revisar la sección de Solución de problemas o Problemas y soluciones del Manual de uso y cuidado, escanee el código QR que se encuentra a la derecha para acceder a los recursos adicionales o visite https://www.maytag.com/product_help.
2. Todos los servicios bajo la garantía los brindan exclusivamente Prestadores autorizados de servicio de Maytag. Para EE.UU. y Canadá, dirija todas las solicitudes de servicio bajo la garantía a:

Centro para la eXperiencia del cliente de Maytag

En EE.UU., llame al 1-800-688-9900. En Canadá, llame al 1-800-807-6777.

Si usted se encuentra fuera de los cincuenta Estados Unidos o Canadá, póngase en contacto con su distribuidor autorizado de Maytag para determinar si corresponde otra garantía.



https://www.maytag.com/product_help

GARANTÍA LIMITADA DE DIEZ AÑOS

LO QUE ESTÁ CUBIERTO

GARANTÍA LIMITADA DURANTE EL PRIMER AÑO (PIEZAS Y MANO DE OBRA)

Durante un año a partir de la fecha de compra, siempre y cuando este electrodoméstico principal haya sido instalado, operado y mantenido de conformidad con las instrucciones adjuntas o provistas con el producto, la marca Maytag de Whirlpool Corporation o Whirlpool Canada, LP (en lo sucesivo denominada "Maytag") pagará por el costo de las piezas de repuesto especificadas de fábrica y del trabajo de reparación para corregir defectos en los materiales o en la mano de obra, existentes en el momento de la compra de este electrodoméstico principal o, a su sola discreción, reemplazará el producto. En el caso de reemplazar el producto, su electrodoméstico estará cubierto por la garantía por el tiempo restante del período de garantía de la unidad original.

GARANTÍA LIMITADA DEL SEGUNDO AL DÉCIMO AÑO (SÓLO PARA EL COMPRESOR - NO SE INCLUYE LA MANO DE OBRA)

Desde el segundo al décimo año desde la fecha de compra original, siempre y cuando este electrodoméstico principal haya sido instalado, operado y mantenido de conformidad con las instrucciones adjuntas o provistas con el producto, Maytag pagará por el compresor de repuesto especificado de fábrica para corregir defectos no estéticos en los materiales o en la mano de obra que tenga esta pieza, los cuales eviten el funcionamiento del electrodoméstico, y que hayan existido en el momento de la compra de este electrodoméstico principal. Esta garantía limitada de 10 años es solamente para el compresor y no incluye la mano de obra.

SU ÚNICO Y EXCLUSIVO RECURSO SEGÚN LOS TÉRMINOS DE ESTA GARANTÍA LIMITADA SERÁ EL DE REPARAR EL PRODUCTO SEGÚN SE ESTIPULA EN LA PRESENTE. El servicio deberá ser suministrado por una compañía de servicio designada por Maytag. Esta garantía limitada es válida solamente en Estados Unidos o en Canadá y se aplica solamente cuando el electrodoméstico principal se use en el país en el que se ha comprado. Esta garantía limitada entrará en vigor a partir de la fecha de la compra del consumidor original. Se requiere una prueba de la fecha de compra original para obtener servicio bajo esta garantía limitada.

LO QUE NO ESTÁ CUBIERTO

1. Uso comercial, no residencial o familiar múltiple o uso diferente del indicado en las instrucciones del usuario, del operador o de instalación publicadas.
2. Instrucción a domicilio sobre cómo usar el producto.
3. Servicio para corregir el mantenimiento o la instalación incorrecta del producto, la instalación que no esté de acuerdo con los códigos eléctricos o de plomería o corrección de plomería o instalación eléctrica doméstica (por ejemplo, instalación eléctrica, fusibles o mangueras de entrada de agua del hogar).
4. Piezas de consumo (por ejemplo, focos de luz, baterías, filtros de agua o de aire, soluciones de conservación, etc.).
5. Defectos o daños causados por el uso de piezas o accesorios no legítimos de Maytag.
6. Daño causado por accidente, uso indebido, abuso, incendio, inundación, actos fortuitos o el empleo de productos no aprobados por Maytag.
7. Reparaciones a piezas o sistemas para corregir el daño o los defectos del producto a causa de reparaciones por servicio no autorizado, alteraciones o modificaciones en el electrodoméstico.
8. Daños estéticos, incluyendo rayaduras, abolladuras, desportilladuras u otro daño al acabado del electrodoméstico a menos que el mismo sea debido a defectos en los materiales o la mano de obra y se le informe a Maytag en un lapso de 30 días.
9. Decoloración, herrumbre u oxidación de las superficies producto de entornos corrosivos o cáusticos que incluyen, entre otras cosas, altas concentraciones de sal, humedad elevada o exposición a productos químicos.
10. Pérdida de comida o medicamentos debido a la falla del producto.
11. Recogida o entrega. Este producto está destinado para ser reparado en su hogar.
12. Gastos de viaje o de transporte para prestar servicio en lugares remotos en los cuales no haya disponible un técnico de servicio autorizado por Maytag.
13. Remoción o reinstalación de electrodomésticos en lugares inaccesibles o dispositivos empotrados (por ejemplo, adornos, paneles decorativos, pisos, armarios, islas, mostradores, paredes, etc.) que interfieran con el servicio, la remoción o el reemplazo del producto.
14. Servicio técnico o piezas para electrodomésticos con números de serie/modelo originales removidos, alterados o no identificados con facilidad.

El costo de la reparación o del reemplazo bajo estas circunstancias excluidas correrá por cuenta del cliente.

EXCLUSIÓN DE GARANTÍAS IMPLÍCITAS

LAS GARANTÍAS IMPLÍCITAS, INCLUYENDO CUALQUIER GARANTÍA IMPLÍCITA DE COMERCIABILIDAD O GARANTÍA IMPLÍCITA DE CAPACIDAD PARA UN PROPÓSITO PARTICULAR, SERÁN LIMITADAS A UN AÑO O AL PERÍODO MÁS CORTO PERMITIDO POR LEY. Algunos estados y provincias no permiten la limitación de la duración de las garantías implícitas de comerciabilidad o capacidad, de modo que la limitación arriba indicada quizá no le corresponda. Esta garantía le otorga derechos legales específicos y es posible que usted tenga también otros derechos que varían de un estado a otro o de una provincia a otra.

EXCLUSIÓN DE DECLARACIONES FUERA DE LA GARANTÍA

Maytag no hace declaraciones acerca de la calidad, durabilidad o necesidad de servicio técnico o reparación de este electrodoméstico principal aparte de las declaraciones incluidas en esta garantía. Si usted desea una garantía con una duración más prolongada o más completa que la garantía limitada que se incluye con este electrodoméstico principal, deberá dirigirse a Maytag o a su distribuidor acerca de la compra de una garantía extendida.

LIMITACIÓN DE RECURSOS; EXCLUSIÓN DE DAÑOS INCIDENTALES Y CONSECUENTES

SU ÚNICO Y EXCLUSIVO RECURSO SEGÚN LOS TÉRMINOS DE ESTA GARANTÍA LIMITADA SERÁ EL DE REPARAR EL PRODUCTO SEGÚN SE ESTIPULA EN LA PRESENTE. MAYTAG NO SE RESPONSABILIZARÁ POR DAÑOS INCIDENTALES O CONSECUENTES. Algunos estados y provincias no permiten la exclusión o limitación de daños incidentales o consecuentes, de modo que estas limitaciones y exclusiones quizás no le correspondan. Esta garantía le otorga derechos legales específicos y es posible que usted tenga también otros derechos que varían de un estado a otro o de una provincia a otra.

11/14