

36-Inch Masterpiece® Electric Cooktop
CEM366TB



Product Features

Performance

Five elements and ten cooking zones provides the space and power for most cookware

Dual zone bridge element connects front and rear elements to accomodate oblong cookware and multiple diameter sizes

Large triple element offers the capability to use multiple pan sizes

Variable 9-stage power settings

Residual heat indicator shows you what elements are still hot

Design

Heavy-duty stainless steel metal knobs

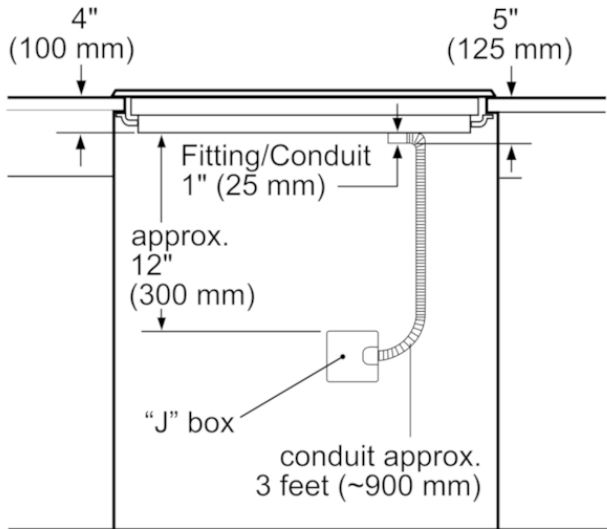
Full stainless steel frame

BSH reserves the absolute and unrestricted right to change product materials and specifications, at any time, without notice. Consult the product's installation instructions for final dimensional data and other details. Applicable product warranty can be found in accompanying product literature (or you may contact your account manager for further details). Notes: All height, width and depth dimensions are shown in inches. *According to AHAM standards. **Please refer to installation instructions prior to making cutout.

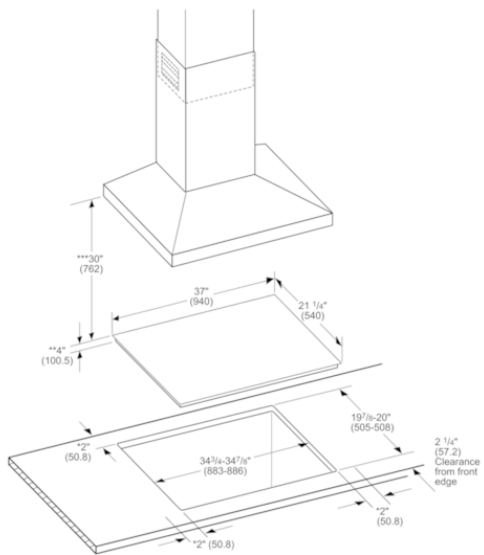
1 800 735 4328 | WWW.THERMADOR.COM | 1901 Main Street, Suite 600 Irvine, CA 92614

©2018 BSH HOME APPLIANCES CORPORATION, ALL RIGHTS RESERVED LITHO DATE: 10/2018

36-Inch Masterpiece® Electric Cooktop
CEM366TB



measurement in inches (mm)



* Minimum clearance from the cooktop cutout to the wall
** Maximum depth
*** Minimum clearance between the cooktop surface and lower edge of exhaust hood.

measurements in inches (mm)

Product Features

Sealed Burners	No
Dimension of 1st heating element (in)	7"
Dimension of 3rd heating element (in)	7" ; 5"
Dimension of 5th heating element (in)	6"

Technical Specification

UPC code	825225924869
Variant color	Black
Energy source	Electric
Watts (W)	10400
Current (A)	50/40
Volts (V)	240/208
Frequency (Hz)	60
Approval certificates	CSA, CSA
Plug type	no plug
Minimum distance from counter front (in)	2 1/4"
Minimum distance from rear wall (in)	2 3/4"
Overall appliance dimensions (HxWxD) (in)	7/16"+3 15/16" x 37" x 21 1/4"
Product packaging dimensions (HxWxD) (in)	8 1/4" x 43 5/16" x 24"
Net weight (lbs)	34
Gross weight (lbs)	43
Total number of cooktop burners	5

BSH reserves the absolute and unrestricted right to change product materials and specifications, at any time, without notice. Consult the product's installation instructions for final dimensional data and other details. Applicable product warranty can be found in accompanying product literature (or you may contact your account manager for further details). Notes: All height, width and depth dimensions are shown in inches. *According to AHAM standards. **Please refer to installation instructions prior to making cutout.

1 800 735 4328 | WWW.THERMADOR.COM | 1901 Main Street, Suite 600 Irvine, CA 92614

©2018 BSH HOME APPLIANCES CORPORATION, ALL RIGHTS RESERVED LITHO DATE: 10/2018