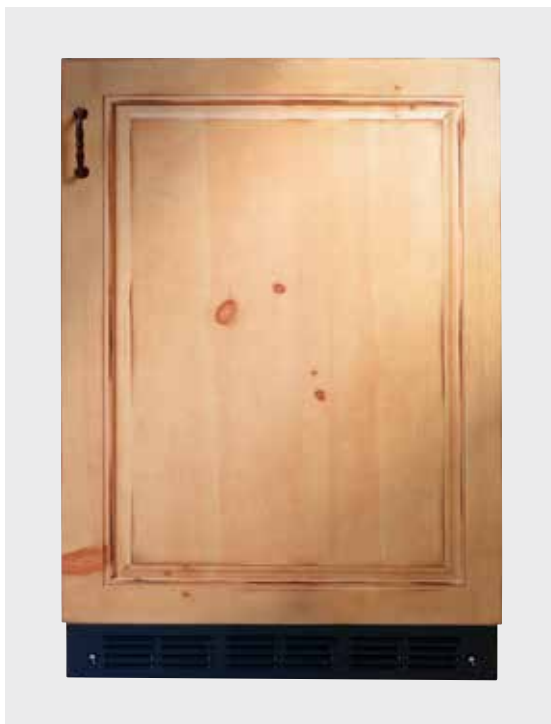


OVERALL DIMENSIONS



SPECIFICATIONS

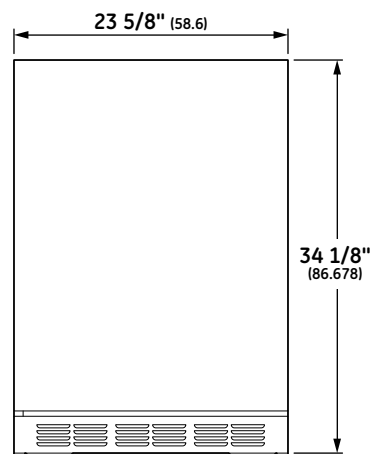
Overall Width	23 5/8" (58.6 cm)
Overall Height	34 1/8" (86.7 cm)
Overall Depth	23 1/4" (59.1 cm)
Door Clearance	8 3/8" (20.1 cm) @ 110° 1/2" (1.3 cm) @ 90° 25 1/8" (63.5) door length
Overall Capacity	4.25 cu. ft.
Minimum Cabinet Width	23 3/4" (60.3 cm)
Minimum Cabinet Depth	24" (60.9 cm)
Cutout Width	23 3/4" (60.3 cm)
Cutout Height	34 1/2" (87.7 cm) Min 35" (89 cm) Max
Electrical Requirements	2.0 A
Voltz/Hertz/Amps	120 V, 60 Hz, 15 or 20 amp circuit
Shipping Weight	126 lb (57 kg)

ATTENTION ELECTRICIAN:

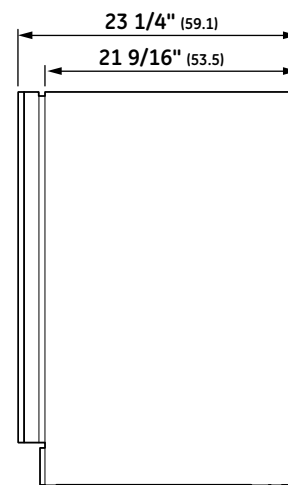
A 115 volt 60Hz., 15 or 20 amp power supply is required. An individual properly grounded branch circuit or circuit breaker is recommended. Install a properly grounded 3-prong electrical receptacle recessed into the back wall.

Dimensions in parentheses are in centimeters unless otherwise noted.

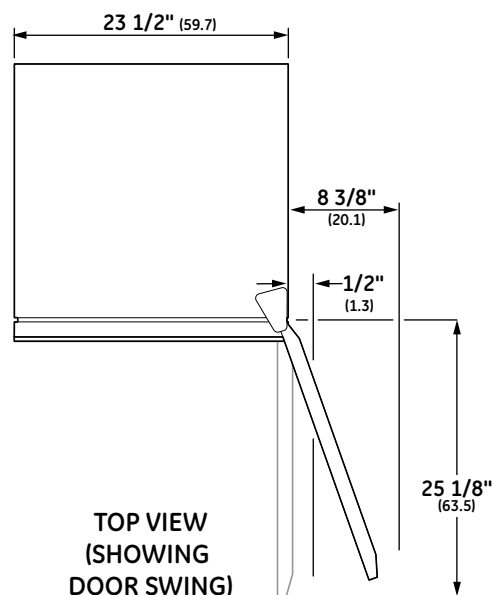
Actual product dimension may vary due to manufacturing tolerances.



FRONT VIEW

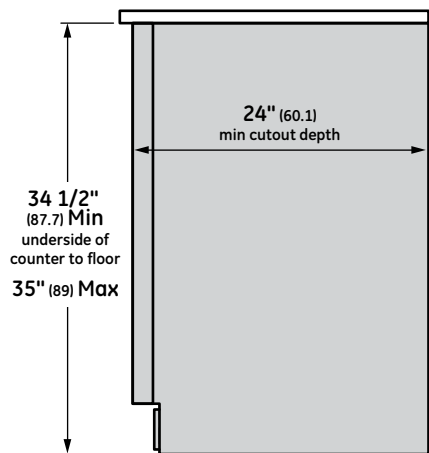


SIDE VIEW

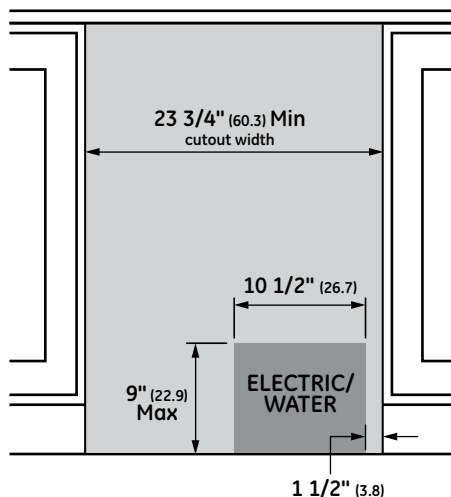


TOP VIEW (SHOWING DOOR SWING)

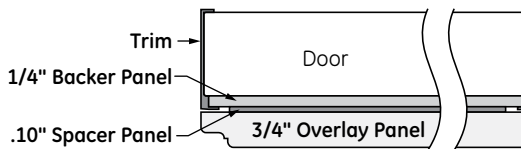
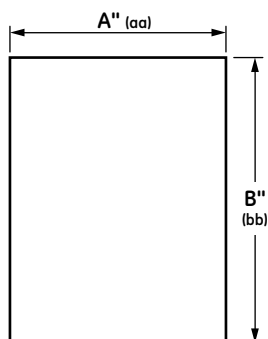
INSTALLATION



FLUSH CUTOUT INSTALLATION SIDE VIEW



INSTALLATION CUTOUT FRONT VIEW



NOTES

**Note:** If installing between frameless cabinets, a 1/2" wide filler strip or side panel may be required. The filler strip will act as a spacer between the door case and adjacent cabinet and will prevent interference with cabinet door swing. The width of the opening must include filler panels.

**The cutout depth must be 24"**  
The cutout dimensions shown allow for a full door swing and access to the pull-out racks when installed as a built-in.

The Bar Refrigerator with Icemaker can be free-standing.

Custom panel will project forward 1-3/4" of adjacent 24" deep base cabinets.

- A water line must be installed for icemaker operation.

## FEATURES AND BENEFITS

**Automatic Icemaker on Full-Extension Slides** - Makes ice automatically to ensure a ready supply

**Adjustable Temperature Control** - Maintains a consistent temperature

**LED Temperature Display** - Allows you to monitor the temperature at a glance

**Removable Ice Bin** - Holds up to 8 lbs. of ice

**Removable Spillproof Glass Shelves** - Helps contain spills for ease of cleaning

**Ice scoop** - Heavy duty scoop included

**LED Lighting** - Places contents into clear, brilliant view

**Beverage Shelf on Full-Extension Slides** - Holds up to five wine bottles or ten 12-oz. cans

