

DLE3500W/DLG3501W

7.4 cu. ft. Front Load Dryer

7.4 cu. ft. Capacity
10 Dryer Programs
Sensor Dry
ENERGY STAR® Qualified
SmartThinQ® Technology
Wi-Fi Connectivity
SmartDiagnosis™


Enjoy new ways to control your home with LG smart appliances

- Start the laundry while you're out shopping
- Get alerts when the cycle is finished
- Works with the LG SmartThinQ® app

SmartThinQ®
 works with the
 Google Assistant

 WORKS WITH
 alexa

SUMMARY

Capacity	7.4 cu. ft.
Matching Washer	WM3500CW
Sensor Dry	Yes
Colors	White (W)

APPEARANCE

Intelligent Electronic Controls with LED Display	Yes
Dial-A-Cycle™	Yes
Touch Buttons	Yes

DRYER PROGRAMS

No. of Programs	10
	Normal, Heavy Duty, Bedding, Towels, Small Load, Perm Press, Delicates, Speed Dry (Manual Dry), Air Dry (Manual Dry), Downloaded

DRYER OPTIONS

No. of Options	11
	More Time, Less Time, Damp Dry Signal, Wrinkle Care, Control Lock, Custom Program, PGM Save, Wi-Fi Connect, Anti-Bacterial, Energy Saver, Remote Start
Temperature Settings	High, Medium, Ultra Low
Drying Levels	Very Dry, Normal Dry, Damp Dry
Manual Dry Times	60 min., 40 min., 20 min., More Time/Less Time

FABRIC CARE FEATURES

Sensor Dry	Yes
Precise Temperature Control with Variable Heater	Yes

CONVENIENCE FEATURES

3 Minute Installation Check	Yes
LoDecibel™ Quiet Operation	Yes
End of Cycle Signal	Yes
Reversible Door	Yes
FlowSense™ Duct Clogging Indicator	Yes
Wrinkle Care Option	Yes
Child Lock	Yes
Venting Option	Gas: 3 Way Venting Electric: 4 Way Venting
4 Adjustable Legs	Yes
Remaining Time Display/Status Indicator(s)	Yes

SMARTTHINQ® TECHNOLOGY

SmartDiagnosis™	Yes
Wi-Fi	Yes
Remote Control	Yes
Cycle Monitoring and Notification	Yes
Energy Monitoring	Yes (Wi-Fi)

ENERGY

ENERGY STAR® Qualified	Yes
------------------------	-----

MATERIALS AND FINISHES

Aluminized Alloy Steel Drum	Yes
Tub Rear	Painted
Cabinet	Painted Steel
Door	Round w/ silver painted trim
All Available Colors	White (W)

POWER SOURCE

Ratings	CSA Listed
Electrical Requirements	Gas: 120V, 15 Amps Electric: 240V 30 Amps
Type	Electric (DLE3500W) Gas (DLG3501W)

BTU Rating 10,000 Feet

OPTIONS/ACCESSORIES

LP Conversion Kit	383EEL3002D
Side Venting Kit	383EEL9001B
Pedestal	WDP4W
Pedestal (WxHxD)	27 x 14 1/8 x 30 3/4 (50 1/2 D with door open)

DIMENSIONS

Product (WxHxD)	27" x 38 11/16" x 30"
Depth with Door Open	51"
Carton (WxHxD)	29 19/32" x 43 3/8" x 31 3/8"
Weight (Product)	Gas: 124.7 Electric: 122
Weight Carton	Gas: 137.9 Electric: 135.2

WARRANTY

Parts and Labor	1 Year
-----------------	--------

UPC CODES

DLE3500W (Electric Dryer White)	048231024983
DLG3501W (Gas Dryer White)	048231014748
WM3500CW (Washer White)	048231024990
WDP4W (Pedestal White)	048231011211

LG LAUNDRY

DLE3500W/DLG3501W

7.4 cu. ft. Front Load Dryer

QUICK INSTALL & CLEARANCES

For full installation directions/clearances please refer to the corresponding User Manual and Installation Guide.

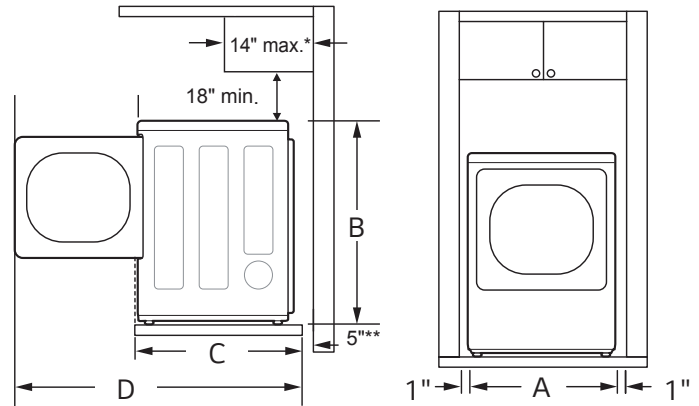
DIMENSIONS

A Width	27"
B Height	38 11/16"
C Depth	30"
D Depth with Door Open	51"
Carton (WxHxD)	29 19/32" x 43 3/8" x 31 3/8"

POWER SOURCE

Ratings	CSA Listed
Electrical Requirements	Gas: 120V, 15 Amps Electric: 240V, 30 Amps
Type	Electric (DLE3500W) Gas (DLG3501W)
BTU Rating	10,000 Feet

DIMENSIONS AND CLEARANCES



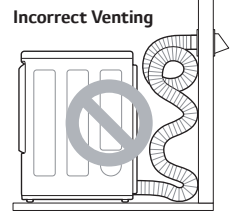
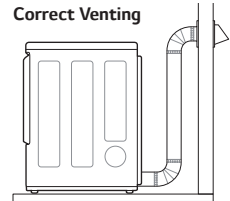
* Required spacing

** For side or bottom venting, 2-inch (5.1 cm) of spacing is allowed.


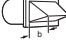
VENTING / DUCTWORK

NOTE: Follow the guidelines below to maximize drying performance and reduce lint buildup and condensation in the ductwork. Ductwork and fittings are NOT included and must be purchased separately.

- Use 4-inch (10.2 cm) diameter rigid, semi-rigid or flexible metal ductwork.
- The exhaust duct run should be as short as possible.
- Use as few elbow joints as possible.
- The male end of each section of exhaust duct must point away from the dryer.
- Use duct tape on all duct joints.
- Insulate ductwork that runs through unheated areas in order to reduce condensation and lint buildup on duct surfaces.
- Incorrect or inadequate exhaust systems are not covered by the dryer warranty. Dryer failures or service required because of such exhaust systems will not be covered by the dryer warranty.

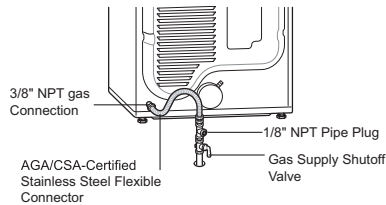


- Ductwork is not provided with the dryer. You should obtain the necessary ductwork locally. The vent hood should have hinged dampers to prevent backdraft when the dryer is not in use.
- The total length of flexible metal duct must not exceed 8 ft. (2.4 m).
- Deduct 6 ft. (1.8 m) for each additional elbow. Do not use more than four 90° elbows.

Wall Cap Type	Number of 90° Elbows	Maximum length of 4-inch diameter rigid metal duct
 a: 4" (10.2 cm)	0	65 ft.(19.8 m)
	1	55 ft.(16.8 m)
	2	47 ft.(14.3 m)
	3	36 ft.(11.0 m)
 b: 2.5" (6.35 cm)	0	55 ft.(16.8 m)
	1	47 ft.(14.3 m)
	2	41 ft.(12.5 m)
	3	30 ft.(9.1 m)
	4	22 ft.(6.7 m)

CONNECTING THE GAS SUPPLY

- Installation and service must be performed by a qualified installer, service agency, or the gas supplier.
- Use only a new stainless steel flexible connector and a new AGA-certified connector.
- A gas shutoff valve must be installed within 6 ft. (1.8 m) of the dryer.
- The dryer is configured for natural gas when shipped from the factory. Make sure that the dryer is equipped with the correct burner nozzle for the type of gas being used (natural gas or propane gas).
- If necessary, the correct nozzle (for the LP nozzle kit, order part number 383EEL3002D) should be installed by a qualified technician and the change should be noted on the dryer.
- All connections must be in accordance with local codes and regulations. Gas dryers MUST exhaust to the outdoors.



CONNECTING ELECTRIC DRYERS

- A **4-wire connection** is required for all mobile and manufactured home installations, as well as all new construction **after January 1, 1996**.
- A **3-wire connection is NOT permitted** on new construction **after January 1, 1996**.
- A UL-listed strain relief is required.
- Use a 30-amp, 240-volt, 4-wire, UL-listed power cord with #10 AWG-minimum copper conductor and closed loop or forked terminals with upturned ends.

