

Color Variants

VI414611

Stainless steel frame

Width 15"

Optional accessories

WP400001

Wok pan made of multiple-layer material

WZ400001

Wok ring attachment for wok pan

Installation Accessories

VA420000

Connection strip for combination with other Vario appliances of the 400 series for flush installation

VA420001

Connection strip for combination with other Vario appliances of the 400 series for flush installation with appliance cover/filler strip

VA420011

Connection strip for combination with other Vario appliances of the 400 series for surface-mount installation with appliance cover/filler strip

VI414611

Vario 400 series induction wok

Stainless steel frame

Width 15"

13" cooking zone with booster function

Ideal for the original round-bottomed wok. Wok ring attachment optional.

Frying sensor function for temperature control in pans

Easy control of all functions with bi-colored display

Solid stainless steel control knob

Precision crafting of 1/8-inch stainless steel

For surface mount installation with a visible edge or for flush installation

Can be perfectly combined with other Vario 400 series products

Cooking zones

1 induction cooking zone \varnothing 9" (2,200 W, with Power boost 3,700 W), automatically switches to \varnothing 10" (2,600 W, with Power boost 3,700 W) and to \varnothing 13" (3,300 W, with Power boost 3,700 W).

Operation

Control knobs with illuminated ring, cooking zone and output level markings.

Electronic power control in 12 levels. User friendly control with bi-colored display (white / orange).

Features

Frying sensor function.

Booster function.

Stopwatch.

Short-time timer.

Options menu

Safety

Residual heat indication.

Safety shut-off.

Planning notes

Depending on the type of installation (surface-mounted or flush-mounted), the specific location of the cut-out and the knob positions may vary.

The drawing "Installation of the control knob" must be observed if the panel is more than 1" thick (there must be a recess at the rear).

If installing filler strip VA 450 take into account the additional space required for the depth.

In a combination of Vario cooktops with at least one appliance cover, the adjustment strip VA 450 is required.

In a combination of several Vario 400 series cooktops a connection strip must be used. Depending on the type of installation - surface-/ or flush-mounted, with or without cover - the respective VA 420 connecting strip must be used.

For flush installation the edge height in the cut-out needs to be at least 1/2" and for surface-mount 3/8". Ensure a continuous cut surface of 90°.

The weight capacity and stability, especially in case of thin countertops, must be supported using suitable substructures. Take the appliance weight and additional loads into account.

Flush installation is possible in countertops made of stone, synthetics or solid wood. Heat resistance and watertight sealing of the edges must be observed. For other materials, please consult with your countertop manufacturer.

The groove must be continuous and even, so that uniform placing of the appliance on the gasket is ensured. Do not use discontinuous lining.

Product Features

Product name / series name

Vario/Domino cooking zone cera

Construction type

CONSTR_TYPE.Built-in

Energy source

Electric

Total number of cooktop burners

1

Required cutout size (HxWxD) (mm)

90 x 360 x 492

Width of the product (mm)

380

Overall appliance dimensions (HxWxD) (mm)

90 x 380 x 520

Product packaging dimensions (HxWxD) (mm)

125 x 598 x 658

Net weight (kg)

7.0

Gross weight (kg)

8.0

Residual heat indicator

Separate

Location of control panel

External control

Basic surface material

Ceramic

Color of surface

Black, Stainless steel

Color of frame

Stainless steel

Approval certificates

CSA, FCC

Power cord length (cm)

96

Consumption and connection features

Watts (W)

3700

Gas connection rating (W)

Current (A)

16

Volts (V)

208-240

Frequency (Hz)

60

2018-02-05

Page 1

The joint width may vary due to size tolerances of the combinations and of the countertop cut-out.

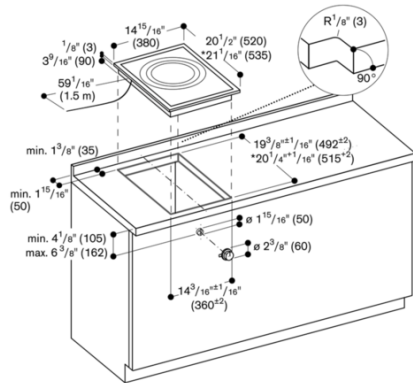
If installing several Vario products in individual cut-outs allow for a minimum distance of 2" in between the cooktops. Operates with magnetic (induction) iron pots and pans only. For an optimal heat distribution, the use of sandwich bottom cookware is recommended. Appliance clicks into place when inserted into the countertop from above.

Appliance weight: approx. 15.4 lbs.

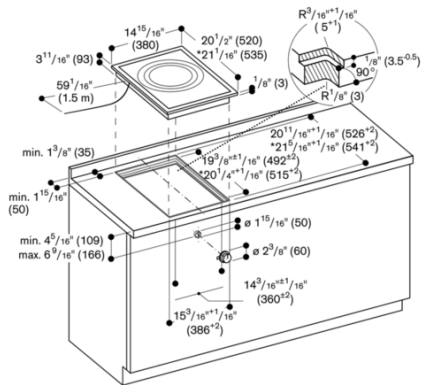
Rating

Total rating: 3.7 kW.

Connecting cable 37" without plug (hardwire required).

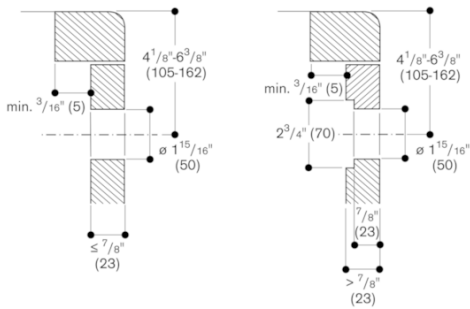


* with compensating strip
Be mindful of separate planning notes.



* with compensating strip
Be mindful of separate planning notes.

Control knob installation, surface mounting



Control knob installation, flush installation

