



#### Color Variants

VG232220CA  
Black control panel  
Width 12"

#### Optional accessories

VD200020  
Black appliance cover

#### Installation Accessories

VV200010  
Stainless steel connection strip  
for combination with further Vario  
cooktops  
VV200020  
Black connection strip for combination  
with other Vario appliances of the 200  
series

#### VG232220CA

Vario 200 series gas cooktop

Black control panel

Width 12"

Natural gas.

Can be combined with cooktops of  
the Vario 200 series to a harmonic  
unity  
Control panel for comfortable and  
secure operation  
Mechanical power level regulation for  
9 power levels, with exact setting and  
reproduction of flame size  
Electric ignition of all burners. Simply  
press the knob, turn it and hold it  
there until a stable flame burns

#### Cooking zones

1 high output burner 1,900 BTU - 10,200  
BTU (560 W - 3000 W), suitable for pots  
up to max. ø 8 5/8".  
1 standard burner (380 W - 1900 W),  
suitable for pots up to max. ø 7 7/8".

#### Operation

Control knobs with illuminated ring.  
Integrated control panel.  
One-handed operation.  
Electric ignition.

#### Features

Cast iron pan support with flat,  
continuous pot surface.  
Enamelled burner cover.

#### Safety

Thermoelectric safety pilot.  
Residual heat indicator.  
Operation indicator.

#### Planning notes

Special nozzles can be ordered as  
spare parts.  
Appliance can be snapped into the  
countertop from above.  
Above countertop minimum clearance  
of at least 11 13/16" from adjacent  
heat-sensitive furniture or contact  
surfaces must be observed or thermal  
insulation must be installed.  
Minimum distance between gas  
cooktop(s) with more than 37,533 BTU  
(11kW) and ventilation hood must be  
30" (76cm).  
Appliance weight: approx. 33 lbs (8 kg).

#### Rating

Total rating: 58,000 BTU (4.9 kW).  
Total Amps: 1 A. 120 V / 60 Hz  
Connecting cable 59" with ground plug.

#### Product Features

Product name / series name

Vario/Domino gas hob w control

Construction type

CONSTR\_TYPE.Built-in

Energy source

Gas

Total number of cooktop burners

2

Required cutout size (HxWxD) (mm)

106 x 268 x 492

Width of the product (mm)

288

Overall appliance dimensions (HxWxD)

(mm)

106 x 288 x 512

Product packaging dimensions

(HxWxD) (mm)

260 x 400 x 600

Net weight (kg)

8.329

Gross weight (kg)

9.5

Residual heat indicator

Location of control panel

Basic surface material

brushed stainless steel

Color of surface

Stainless steel

Color of frame

Stainless steel

Approval certificates

CSA, CSA, CSA

Power cord length (cm)

150

#### Consumption and connection features

Watts (W)

10

Gas connection rating (W)

4900

Current (A)

10

Volts (V)

110-120

Frequency (Hz)

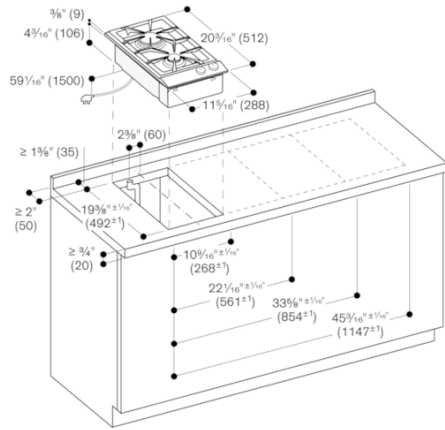
60

2020-02-03

Page 1

VG232220CA  
Vario 200 series gas cooktop  
Black control panel  
Width 12"  
Natural gas.

2020-02-03  
Page 2



Minimum distance from the appliance cut-out to the side wall  $11\frac{3}{16}''$  (300 mm).  
Measurements in inches (mm)

Gas connection

