

#### Color Variants

**VG231220CA**  
**Black control panel**  
**Width 12"**

#### Included accessories

1 x WOK attachment ring.

#### Optional accessories

**VD200020**  
**Black appliance cover**  
**WP400001**  
**Wok pan made of multiple-layer material**

#### Installation Accessories

**VV200010**  
**Stainless steel connection strip for combination with further Vario cooktops**  
**VV200020**  
**Black connection strip for combination with other Vario appliances of the 200 series**

#### VG231220CA

**Vario 200 series gas wok cooktop**  
**Black control panel**  
**Width 12"**  
**Natural gas.**  
**Wok burner**

Can be combined with cooktops of the Vario 200 series  
**Control panel for comfortable and secure operation**  
**Mechanical power level regulation for 9 power levels, with exact setting and reproduction of flame size**  
**Multi-ring burner of solid, heat-resistant brass as used in professional kitchen**  
**Electric ignition of burner. Simply press the knob, turn it and hold it there until a stable flame burns**

#### Cooking zones

1 multi-ring wok burner 1,000 - 18,800 BTU (300 W – 5500 W), suitable for pots up to max. ø12 5/8"

#### Operation

Control knobs with illuminated ring. Integrated control panel. One-handed operation. Electric ignition. To close the cover, the cast iron pan support can be easily reversed.

#### Features

Cast iron pan support.  
 Brass burner rings.

#### Safety

Thermoelectric safety pilot.  
 Residual heat indicator.  
 Operation indicator.

#### Planning notes

Special nozzles can be ordered as spare parts.  
 Appliance can be snapped into the countertop from above.  
 Appliance weight: approx. 68 lb. (30.8 kg).  
 Above countertop minimum clearance of at least 11 13/16" from adjacent heat-sensitive furniture or contact surfaces must be observed or thermal insulation must be installed.  
 Minimum distance between gas cooktop(s) with more than 37,533 BTU (11kW) and ventilation hood must be 30" (76cm).  
 Appliance weight: approx. 68 lbs (10 kg).

#### Rating

Total rating: 59,700 BTU (5.5 kW).  
 Total rating 59,700 BTU. Total Amps: .1 A. 120 V / 60 Hz  
 Connecting cable 55" with plug.

#### Product Features

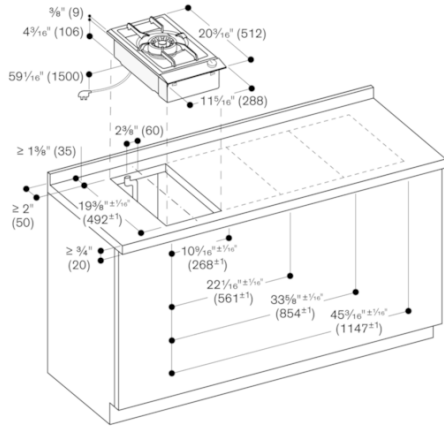
**Product name / series name**  
 Vario/Domino gas hob w control  
**Construction type**  
 CONSTR\_TYPE.Built-in  
**Energy source**  
 Gas  
**Total number of cooktop burners**  
 1  
**Required cutout size (HxWxD) (mm)**  
 106 x 268 x 492  
**Width of the product (mm)**  
 288  
**Overall appliance dimensions (HxWxD) (mm)**  
 106 x 288 x 512  
**Product packaging dimensions (HxWxD) (mm)**  
 260 x 400 x 600  
**Net weight (kg)**  
 10.114  
**Gross weight (kg)**  
 11.3  
**Residual heat indicator**  
**Location of control panel**  
**Basic surface material**  
 brushed stainless steel  
**Color of surface**  
 Stainless steel  
**Color of frame**  
 Stainless steel  
**Approval certificates**  
 CSA, CSA, CSA  
**Power cord length (cm)**  
 150

#### Consumption and connection features

**Watts (W)**  
 10  
**Gas connection rating (W)**  
 5500  
**Current (A)**  
 10  
**Volts (V)**  
 100-120  
**Frequency (Hz)**  
 60

2020-02-02  
 Page 1

VG231220CA  
 Vario 200 series gas wok cooktop  
 Black control panel  
 Width 12"  
 Natural gas.  
 Wok burner  
 2020-02-02  
 Page 2



Minimum distance from the appliance cut-out to the side wall 11<sup>13</sup>/<sub>16</sub>" (300 mm).  
 Measurements in inches (mm)

Gas connection

