

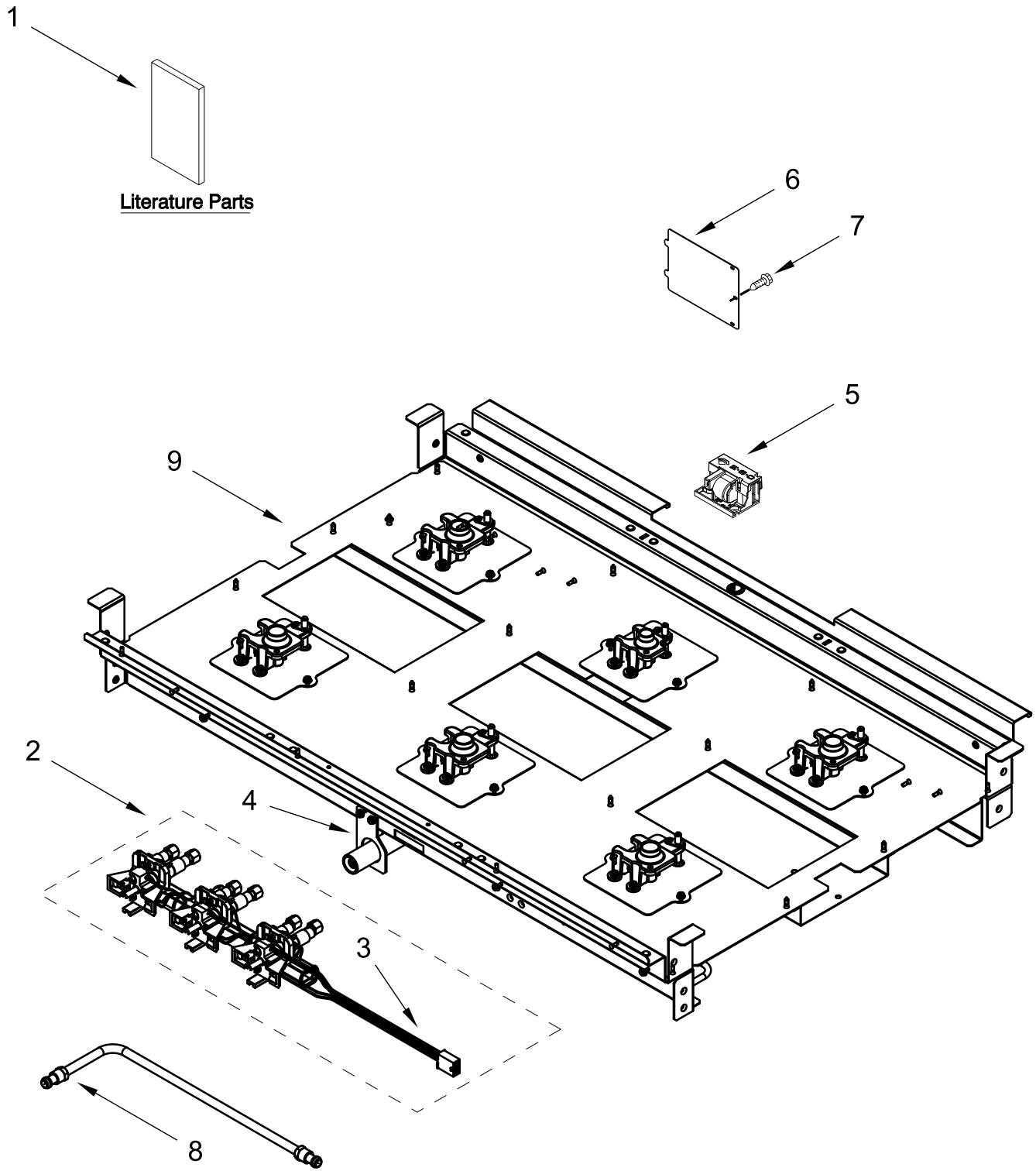
**KitchenAid®**

**36" SMART COMMERCIAL-STYLE GAS RANGE WITH 6 BURNERS**

**MODELS:**

KFGC506JAV00 (Matte Avocado)

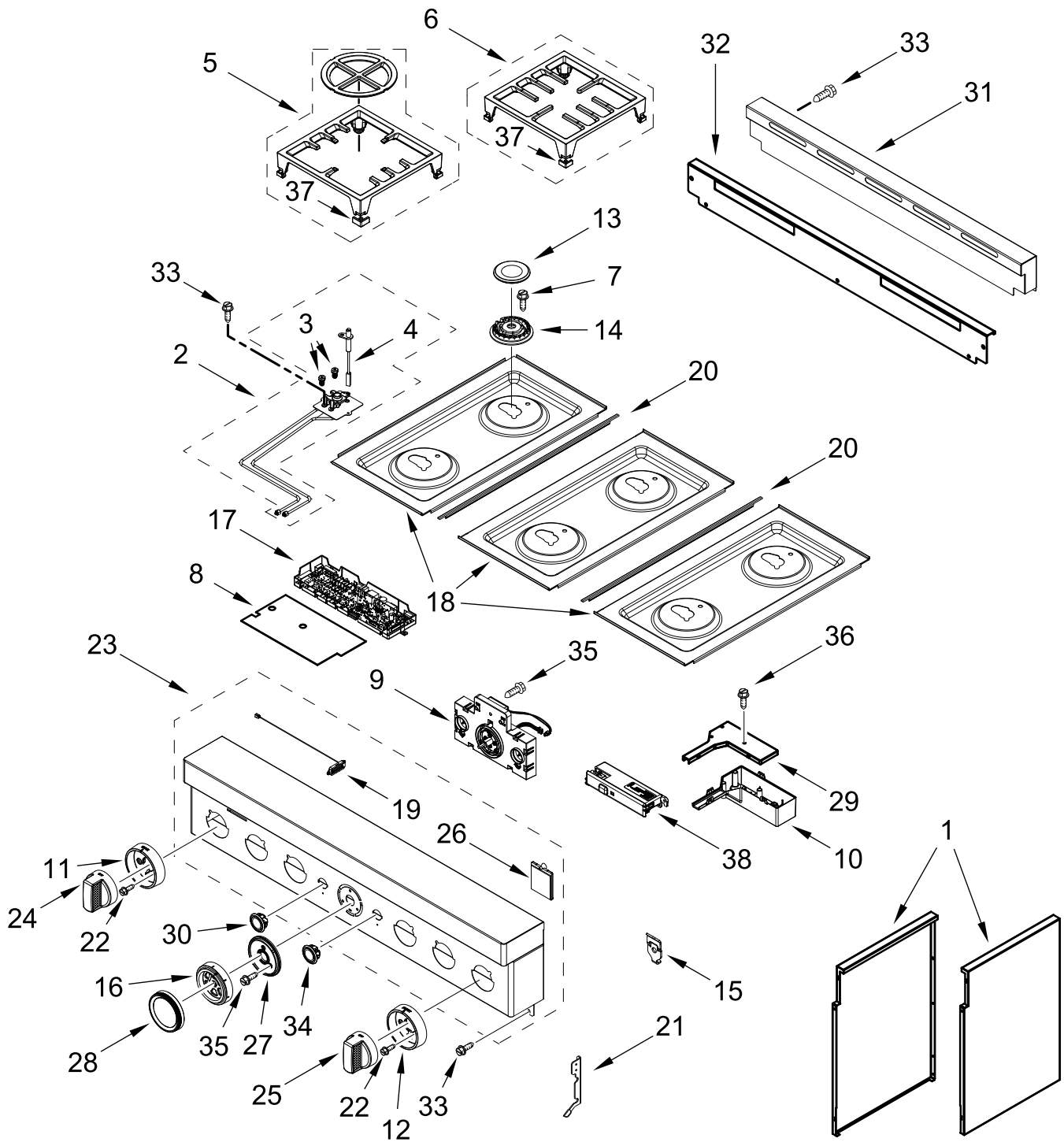
# BURNER BOX PARTS



# BURNER BOX PARTS

| <u>Illus. No.</u> | <u>Part No.</u> | <u>Description</u>   | <u>Illus. No.</u> | <u>Part No.</u> | <u>Description</u>            | <u>Illus. No.</u> | <u>Part No.</u> | <u>Description</u>                 |
|-------------------|-----------------|--|-------------------|-----------------|-------------------------------|-------------------|-----------------|------------------------------------|
| 1                 |                 | Literature Parts   | 7                 | 7101P426-60     | Screw                         | 9                 |                 | Box, Burner (Not Serviced)         |
|                   | W11177370       | Guide, Use and Care  | 8                 | W10892073       | Tube, Manifold Supply (Left)  |                   |                 | FOLLOWING PARTS NOT ILLUSTRATED    |
|                   | W11177374       | Instructions, Installation                                       |                   | W10892334       | Tube, Manifold Supply (Right) |                   | W11200307       | Harness, Main (36")                |
|                   | W11184759       | Guide, Internet Connectivity                                     |                   |                 |                               |                   | W11200332       | Harness, Cooktop                   |
|                   | W11202388       | Diagram, Wiring  |                   |                 |                               |                   | W10780278       | Harness, Door Lock                 |
|                   | W11202292       | Sheet, Tech  |                   |                 |                               |                   | W11200325       | Harness, Communication             |
|                   | W11364680       | Guide, Quick Start   |                   |                 |                               |                   | W11242785       | Harness, WIFI                      |
| 2                 | W10892995       | Assembly, Valve Manifold (Left Front, Left Rear, Center Rear)    |                   |                 |                               |                   | W10624584       | Cord, Power                        |
|                   | W10893005       | Assembly, Valve Manifold (Center Front, Right Front, Right Rear) |                   |                 |                               |                   | 4450800         | Screw, Grounding                   |
|                   |                 |  |                   |                 |                               |                   | W10253333       | Bracket, Anti-Tip                  |
|                   |                 |  |                   |                 |                               |                   | 7101P485-60     | Screw, Anti-Tip Kit                |
|                   |                 |  |                   |                 |                               |                   | W11238042       | Kit, LP Conversion                 |
| 3                 | W10903729       | Switch, Harness  |                   |                 |                               |                   | W11311196       | Ignitor Wire, Wire-Electrode Bake  |
| 4                 | W11121194       | Bracket, Manifold  |                   |                 |                               |                   | W11311197       | Ignitor Wire, Wire-Electrode Broil |
| 5                 | W11121317       | Module, Spark  |                   |                 |                               |                   |                 |                                    |
| 6                 | W10115843       | Cover, Ignition  |                   |                 |                               |                   |                 |                                    |

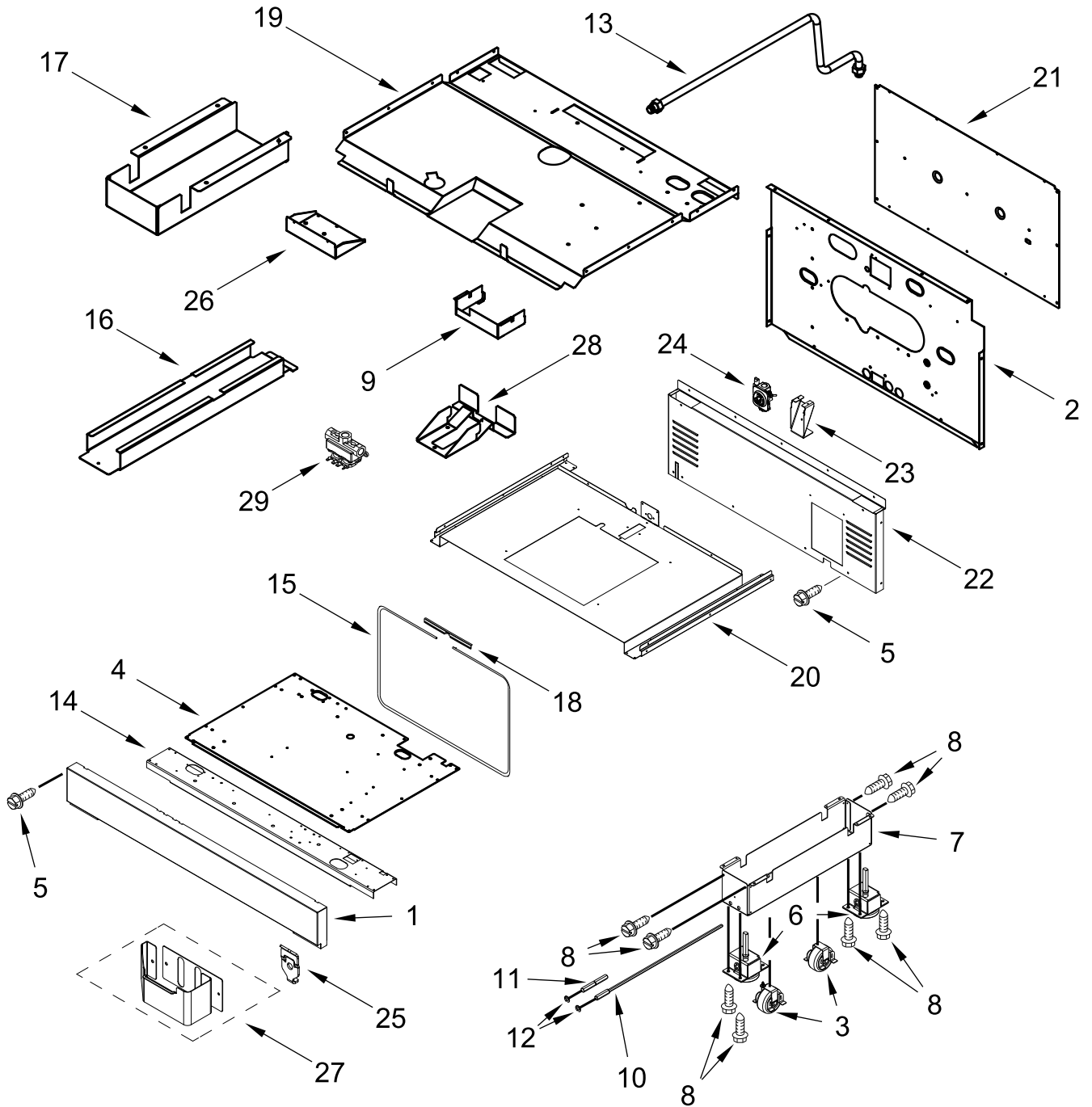
# COOKTOP, BURNER AND GRATE PARTS



# COOKTOP, BURNER AND GRATE PARTS

| <u>Illus. No.</u> | <u>Part No.</u> | <u>Description</u>  | <u>Illus. No.</u> | <u>Part No.</u> | <u>Description</u>  | <u>Illus. No.</u> | <u>Part No.</u> | <u>Description</u>               |
|-------------------|-----------------|---|-------------------|-----------------|---|-------------------|-----------------|----------------------------------|
| 1                 | W11106881       | Panel, Cabinet Side (Left)                                | 4                 | W11238757       | Igniter (Left Front, Right Front)                           | 18                | W11038235       | Panel, Cooktop Black (Left)      |
|                   | W11106880       | Panel, Cabinet Side (Right)                               |                   | W10892340       | Igniter (Center Front, Center Rear)                         |                   | W11038257       | Black (Center)                   |
| 2                 | W10892774       | Assembly, Orifice Holder (Left Front)                     |                   | W11114379       | Igniter (Left Rear, Right Rear)                             |                   | W11038248       | Black (Right)                    |
|                   | W10892492       | Assembly, Orifice Holder (Left Rear)                      | 5                 | W11291183       | Burner, Grate (With Wok Ring)                               | 19                | W11130078       | Antenna, WIFI Trim, T-Strip      |
|                   | W11159467       | Assembly, Orifice Holder (Center Front)                   | 6                 | W11291179       | Burner, Grate   | 20                | W10271524       | Black                            |
|                   | W10892725       | Assembly, Orifice Holder (Center Rear)                    | 7                 | W11323261       | Screw (8-18 X 1")   | 21                | W10130760       | Bracket, Moving Console (Left)   |
|                   | W10892731       | Assembly, Orifice Holder (Right Front)                    |                   | W11323309       | Screw (8-18 X 1/2")   |                   | W10130759       | Bracket, Moving Console (Right)  |
|                   | W10892477       | Assembly, Orifice Holder (Right Rear)                     | 8                 | W11281269       | Barrier, Appliance Manager                                  | 22                | W10919387       | Screw                            |
| 3                 | W10892422       | Orifice, Main (17.4K) (Left Front, Right Front)           | 9                 | W11095716       | Interface, User   | 23                | W10877950       | Panel, Console Knob, Single      |
|                   | W10892419       | Orifice, Main (15K) (Left Rear, Right Rear, Center Front) | 10                | W11205795       | Cover, WIFI Outer   | 24                | W10912166       | Stainless Knob, Dual             |
|                   | W10892435       | Orifice, Simmer (2.6K) (Left Front, Right Front)          | 11                | W10883433       | Bezel (Rear Burners)  | 25                | W10883172       | Stainless                        |
|                   | W10892438       | Orifice, Simmer (5K) (Center Rear)                        | 12                | W10881642       | Bezel (Front Burners)                                       | 26                | W10896366       | Assembly, Light Pipe             |
|                   |                 |   | 13                | W11121390       | Cap, Burner Black (Includes 6)                              | 27                | W10913810       | Bezel, Oven Stainless            |
|                   |                 |   | 14                | W10891746       | Spreader, Flame (High) (Left Front, Right Front)            | 28                | W11249669       | Stainless Knob, Oven Temperature |
|                   |                 |   |                   | W10891974       | Spreader, Flame (Low) (Left Rear, Center Front, Right Rear) | 29                | W11205794       | Cover, WIFI Inner                |
|                   |                 |   |                   | W10891978       | Spreader, Flame (AUX) (Center Rear)                         | 30                | W11241511       | Button Assembly, Oven Light      |
|                   |                 |   | 15                | W11036559       | Spring Clip, Range  | 31                | W11183086       | Trim, Island                     |
|                   |                 |   | 16                | W11264992       | Knob, Oven Mode Stainless                                   | 32                | W10323250       | Insert, Island Trim              |
|                   |                 |   | 17                | W11100284       | Manager, Appliance (Powermax)                               | 33                | 7101P426-60     | Screw                            |
|                   |                 |   |                   |                 |   | 34                | W11241510       | Button Assembly, Oven Start      |
|                   |                 |   |                   |                 |   | 35                | 3400814         | Screw                            |
|                   |                 |   |                   |                 |   | 36                | 7101P624-60     | Screw                            |
|                   |                 |   |                   |                 |   | 37                | W11042504       | Bumper, Grate                    |
|                   |                 |   |                   |                 |   | 38                | W11110768       | Assembly, WIFI Module            |

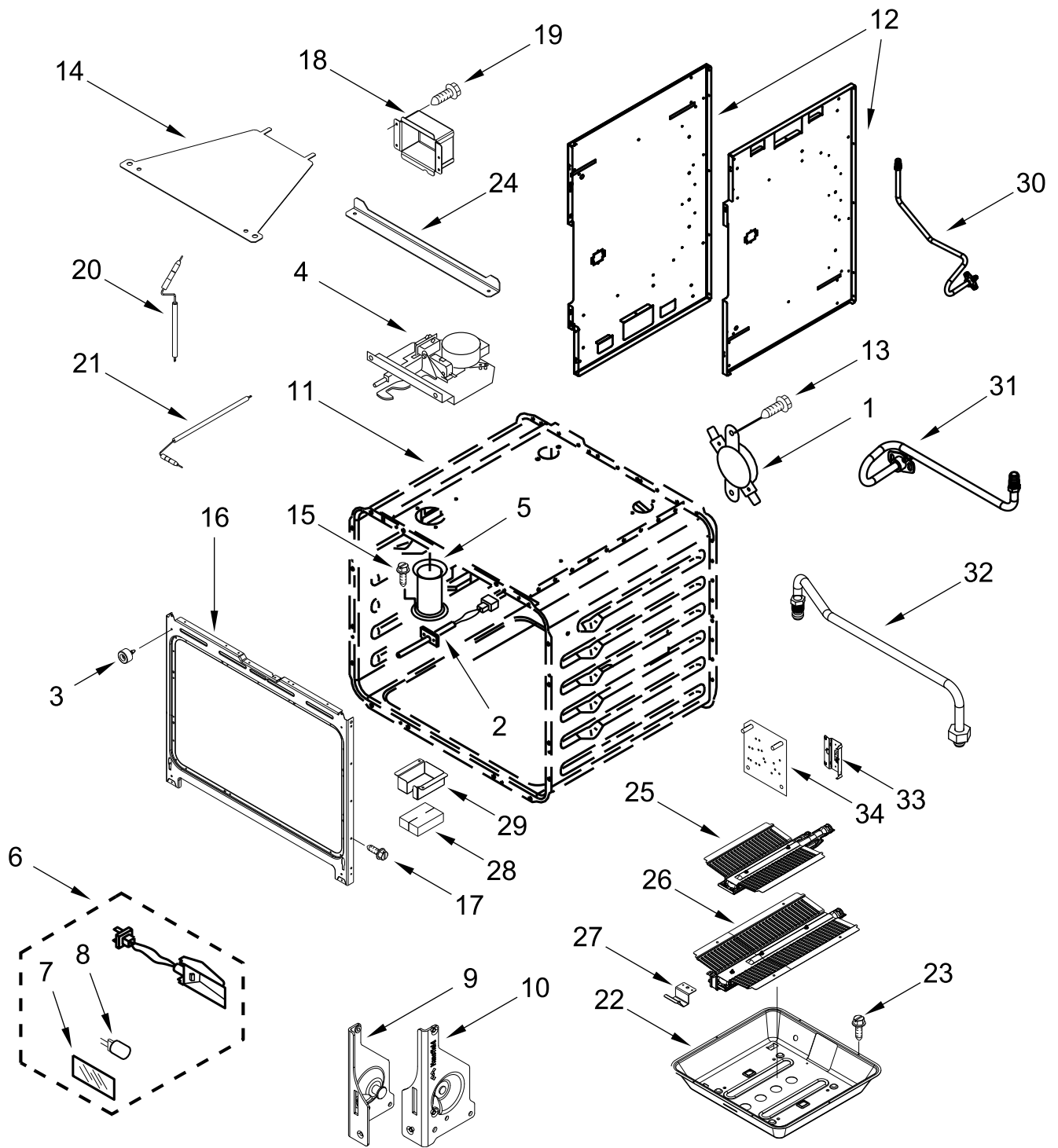
# CHASSIS PARTS



# CHASSIS PARTS

| <u>Illus.</u><br><u>No.</u> | <u>Part No.</u> | <u>Description</u>         | <u>Illus.</u><br><u>No.</u> | <u>Part No.</u> | <u>Description</u>         | <u>Illus.</u><br><u>No.</u> | <u>Part No.</u> | <u>Description</u>          |
|-----------------------------|-----------------|----------------------------|-----------------------------|-----------------|----------------------------|-----------------------------|-----------------|-----------------------------|
| 1                           | W11394790       | Kickplate                  | 13                          | W11181648       | Tube, Pressure Regulator   | 23                          | W11096823       | Bracket, Pressure Regulator |
| 2                           | W11324988       | Back, Chassis              | 14                          | W11087493       | Support, Channel           | 24                          | W10896959       | Regulator, Pressure         |
| 3                           | W10138054       | Assembly, Roller           | 15                          | W11115330       | Gasket, Oven (36")         | 25                          | W11036559       | Spring Clip, Range          |
| 4                           | W11095572       | Duct, Bottom (36")         | 16                          | W11050145       | Duct-Chassis, Rear         | 26                          | W11106341       | Drawer, Appliance Manager   |
| 5                           | 7101P426-60     | Screw                      | 17                          | W11368831       | Channel, Wire              | 27                          | W11199181       | Cover, Foot (Left)          |
| 6                           | 9760860         | Leveler                    | 18                          | W11362015       | Retainer, Gasket (9" Long) |                             | W11199178       | Cover, Foot (Right)         |
| 7                           | W10908710       | Base, Leveling Leg         | 19                          | W11324985       | Top, Chassis               | 28                          | W11190223       | Bracket, Bake Alignment     |
| 8                           | 4449743         | Screw                      | 20                          | W11040801       | Chassis, Bottom            | 29                          | W10145680       | Valve, Dual                 |
| 9                           | W11369237       | Cabinet, Appliance Manager | 21                          | W11103333       | Panel, Back Top            |                             |                 |                             |
| 10                          | W10115869       | Shaft, Long                | 22                          | W11034133       | Panel, Back Bottom         |                             |                 |                             |
| 11                          | W10115793       | Shaft, Short               |                             |                 |                            |                             |                 |                             |
| 12                          | 489504          | E-Ring                     |                             |                 |                            |                             |                 |                             |

# OVEN PARTS

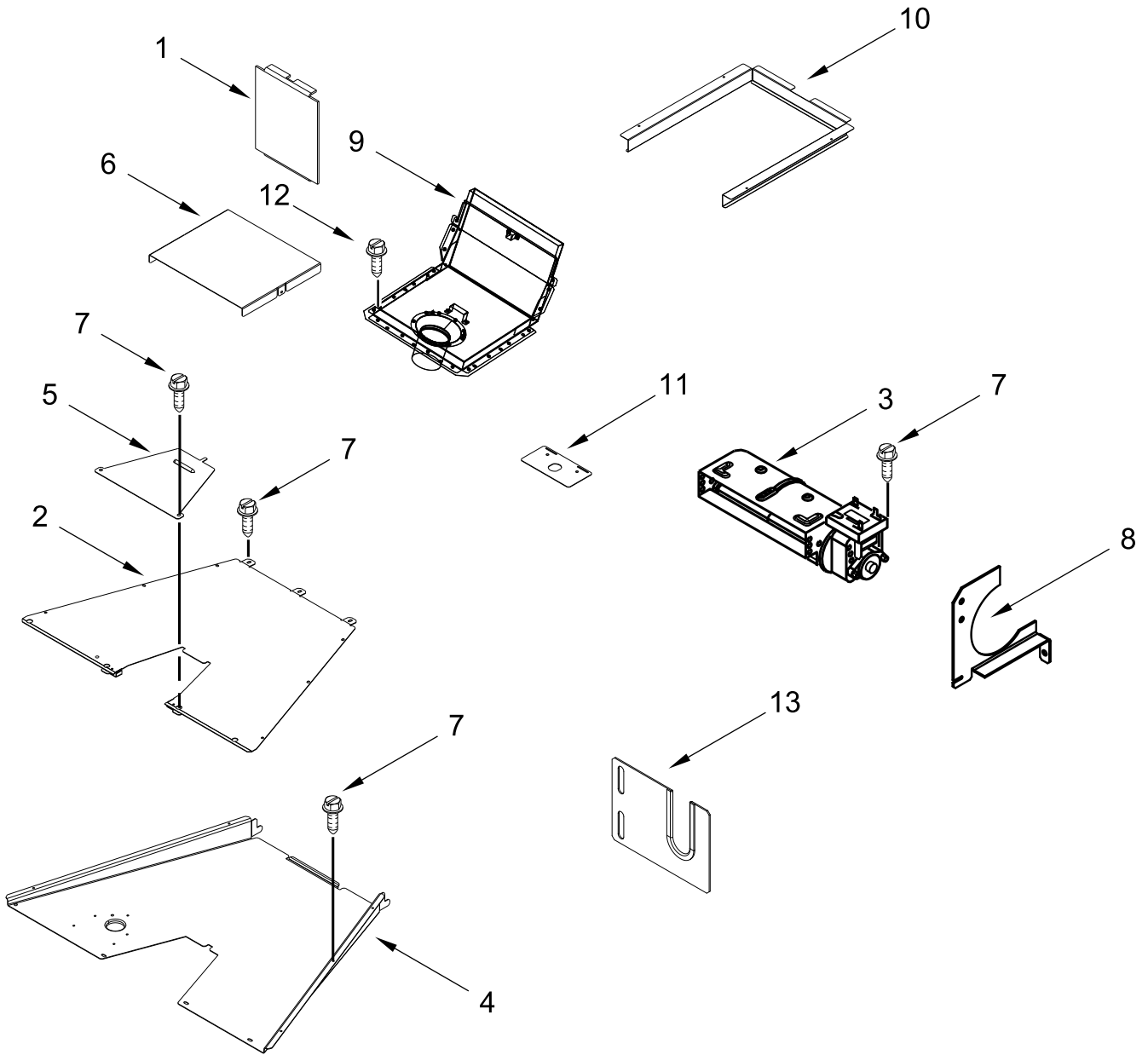




# OVEN PARTS

| <u>Illus. No.</u> | <u>Part No.</u> | <u>Description</u>         | <u>Illus. No.</u> | <u>Part No.</u> | <u>Description</u>      | <u>Illus. No.</u> | <u>Part No.</u> | <u>Description</u>                 |
|-------------------|-----------------|----------------------------|-------------------|-----------------|-------------------------|-------------------|-----------------|------------------------------------|
| 1                 | 4450249         | Thermostat (TOD)           | 13                | 7101P426-60     | Screw                   | 28                | W10311009       | Insulation, Broil Cover            |
| 2                 | W10622170       | Probe, Sensor              | 14                | W10160858       | Cover, Latch            | 29                | W10310985       | Cover, Broil                       |
| 3                 | W10351278       | Bumper & Screw             | 15                | 3196176         | Screw                   | 30                | W11109238       | Tube, Broil                        |
| 4                 | W10830016       | Latch, Motorized           | 16                | W11192749       | Frame, Front            | 31                | W11106980       | Tube, Bake                         |
| 5                 | W10145743       | Tube, Vent                 | 17                | 3196560         | Screw                   | 32                | W11107279       | Tube, Gas                          |
| 6                 | W11223932       | Assembly, Oven Light       | 18                | W10308051       | Box, Broil              | 33                | W10145362       | Bracket-Board, DSI                 |
| 7                 | W10169756       | Lens, Light                | 19                | 7101P434-60     | Screw                   | 34                | W10511278       | Module, Spark DSI                  |
| 8                 | W10169757       | Bulb, Light                | 20                | W11182863       | Electrode, Broil        |                   |                 | FOLLOWING PARTS<br>NOT ILLUSTRATED |
| 9                 | W11096294       | Receiver, Hinge (Left)     | 21                | W11205400       | Electrode, Bake         |                   |                 |                                    |
| 10                | W11096293       | Receiver, Hinge (Right)    | 22                | W10145744       | Support, Bake Pan       |                   |                 |                                    |
| 11                |                 | Liner, Oven (Not Serviced) | 23                | 12992902        | Screw                   |                   | W10282811       | Insulation, Wrap                   |
| 12                | W11102297       | Chassis, Side (Left)       | 24                | W10317437       | Bracket, Broil Standoff |                   | W11108226       | Insulation, Back, 36"              |
|                   | W11102296       | Chassis, Side (Right)      | 25                | W10878504       | Burner, Bake            |                   | W10299356       | Insulation, Bottom                 |
|                   |                 |                            | 26                | W10311335       | Burner, Broil           |                   | 3400968         | Nut                                |
|                   |                 |                            | 27                | W10308040       | Bracket, Bake Burner    |                   |                 |                                    |

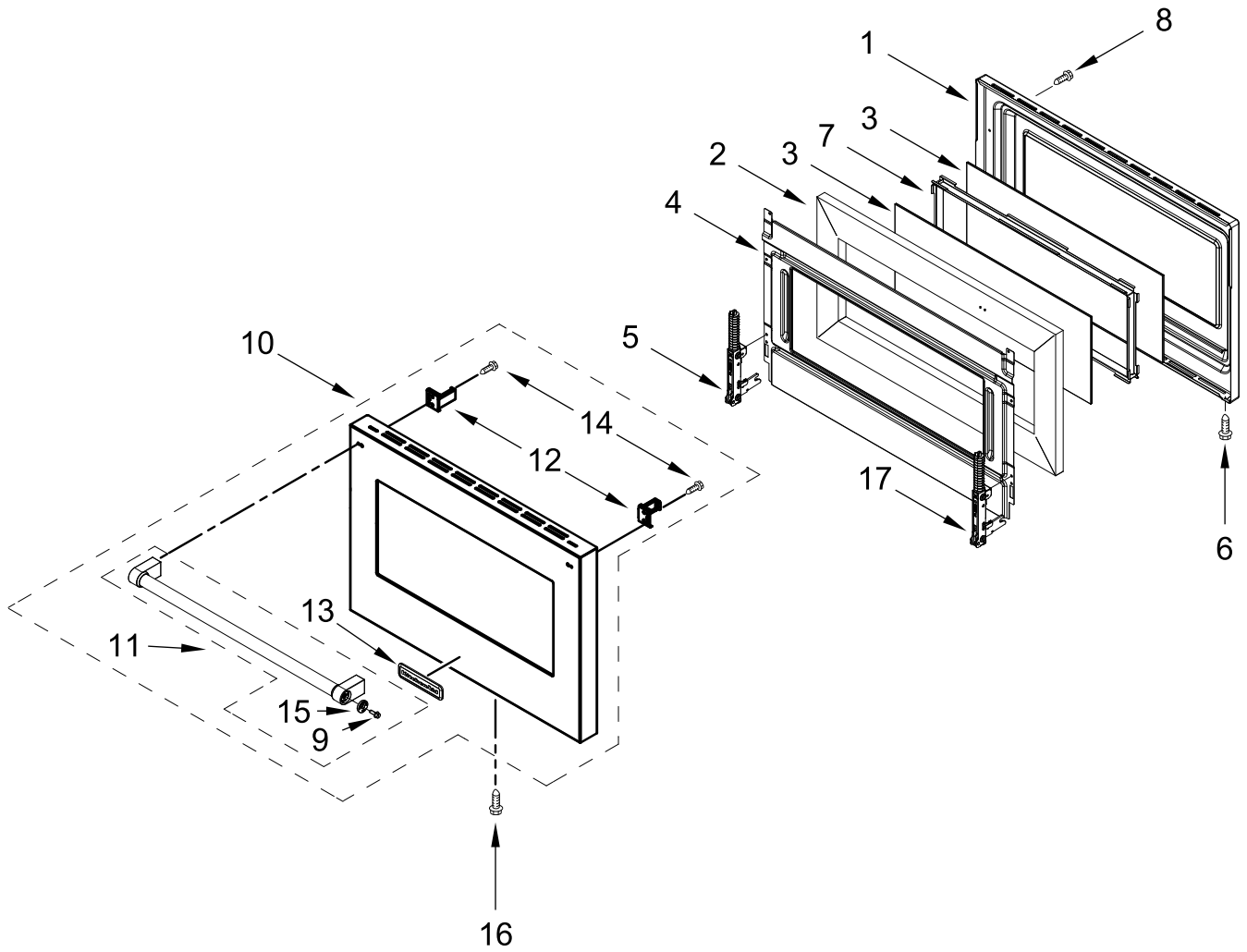
# VENTING PARTS



# VENTING PARTS

| <u>Illus.</u><br><u>No.</u> | <u>Part No.</u> | <u>Description</u>            | <u>Illus.</u><br><u>No.</u> | <u>Part No.</u> | <u>Description</u>               | <u>Illus.</u><br><u>No.</u> | <u>Part No.</u> | <u>Description</u>    |
|-----------------------------|-----------------|-------------------------------|-----------------------------|-----------------|----------------------------------|-----------------------------|-----------------|-----------------------|
| 1                           | W10246087       | Insulation, Chimney           | 6                           | W10246086       | Retainer, Insulation             | 11                          | W10115855       | Holder, Strain Relief |
| 2                           | W11105221       | Vent, Cooling Top<br>(30")    | 7                           | 7101P426-60     | Screw                            | 12                          | 3400805         | Screw (Zinc)          |
| 3                           | W11200129       | Blower                        | 8                           | W11047754       | Bracket, Blower Mount            | 13                          | W11106956       | Cover, Channel        |
| 4                           | W11091676       | Vent, Cooling Bottom<br>(30") | 9                           | W10340579       | Vent, Chimney Box<br>(30" / 36") |                             |                 |                       |
| 5                           | W11109518       | Plate, Cooling Latch          | 10                          | W10145363       | Duct, Primary Air (30")          |                             |                 |                       |

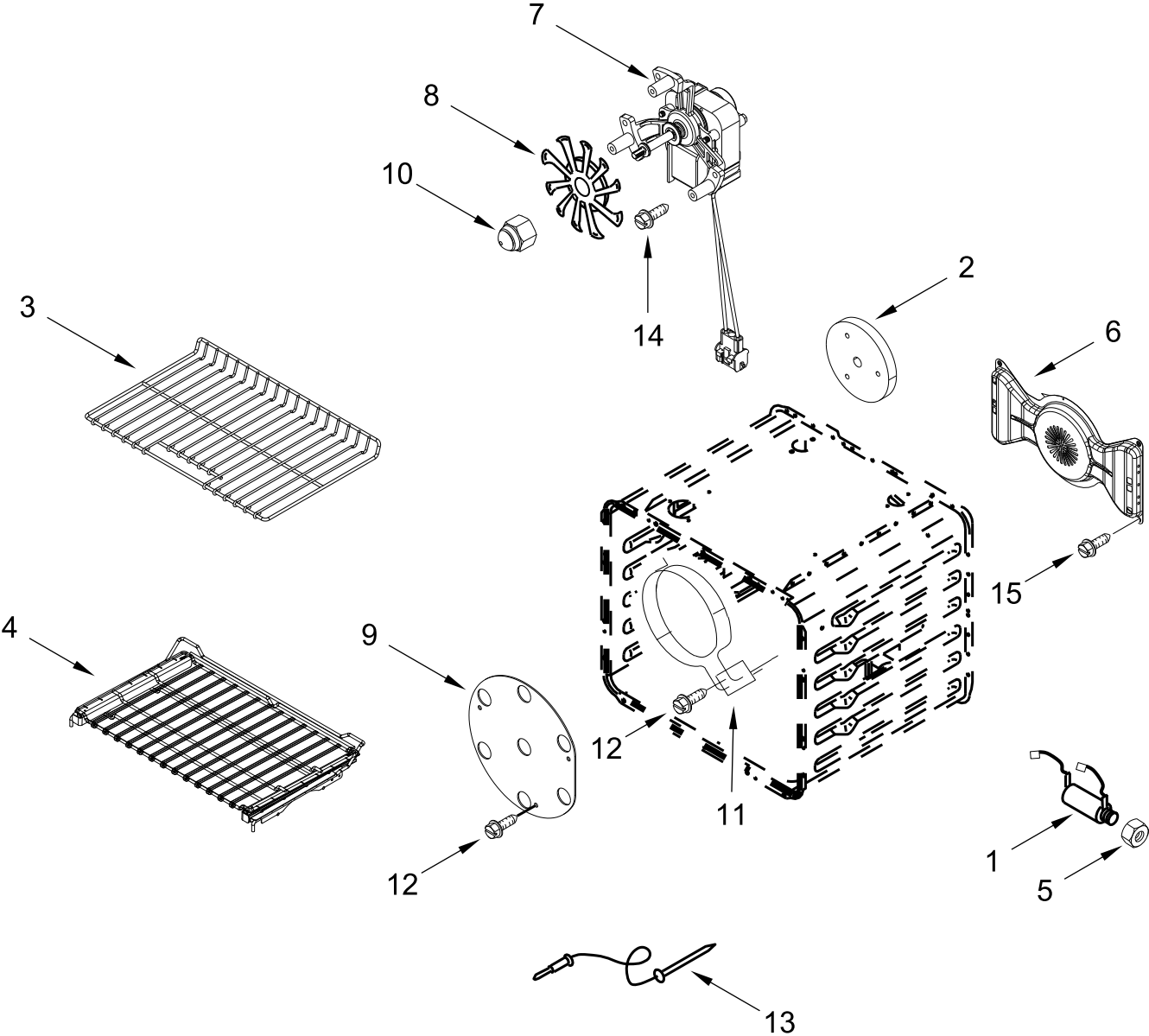
# OVEN DOOR PARTS



# OVEN DOOR PARTS

| <u>Illus.</u><br><u>No.</u> | <u>Part No.</u> | <u>Description</u> | <u>Illus.</u><br><u>No.</u> | <u>Part No.</u> | <u>Description</u>                        | <u>Illus.</u><br><u>No.</u> | <u>Part No.</u> | <u>Description</u>  |
|-----------------------------|-----------------|--------------------|-----------------------------|-----------------|---|-----------------------------|-----------------|---------------------|
| 1                           | W11036772       | Liner, Door        | 7                           | W11194814       | Frame, Glass                              | 12                          | W11197830       | Bracket, Handle     |
| 2                           | W10884823       | Insulation, Door   | 8                           | W10898280       | Screw                                     | 13                          | W10518672       | Badge               |
| 3                           | W11036791       | Glass, Inner       | 9                           | W10656499       | Screw                                     | 14                          | W10276043       | Screw               |
| 4                           | W11194820       | Retainer, Glass    | 10                          | W11389316       | Assembly, Outer Door<br>(Includes Handle) | 15                          | W11221410       | Medallion, Handle   |
| 5                           | W11096978       | Hinge, Door (Left) | 11                          | W11221411       | Assembly, Door<br>Handle                  | 16                          | W10162096       | Screw               |
| 6                           | W10607120       | Screw              |                             |                 |   | 17                          | W11096977       | Hinge, Door (Right) |

# INTERNAL OVEN PARTS



# INTERNAL OVEN PARTS

| <u>Illus.</u><br><u>No.</u> | <u>Part No.</u> | <u>Description</u>           | <u>Illus.</u><br><u>No.</u> | <u>Part No.</u> | <u>Description</u>       | <u>Illus.</u><br><u>No.</u> | <u>Part No.</u> | <u>Description</u> |
|-----------------------------|-----------------|------------------------------|-----------------------------|-----------------|--------------------------|-----------------------------|-----------------|--------------------|
| 1                           | 9755543         | Jack, Meat Probe             | 7                           | W10631506       | Motor, Convection        | 13                          | 9755542         | Probe, Temperature |
| 2                           | W10282821       | Insulation, Convection Cover | 8                           | W10631503       | Blade, Fan               | 14                          | W10720084       | Screw              |
| 3                           | W10822069       | Rack, Oven                   | 9                           | W10261523       | Plate, Fan               | 15                          | W10739592       | Screw              |
| 4                           | W11108464       | Rack, Sliding Oven           | 10                          | W10631504       | Nut, Acorn (LH)          |                             |                 |                    |
| 5                           | W11033111       | Nut, Locking                 | 11                          | W11098505       | Element, Convection Heat |                             |                 |                    |
| 6                           | W11212180       | Baffle, Convection           | 12                          | 4449154         | Screw                    |                             |                 |                    |

# OPTIONAL PARTS (NOT INCLUDED)

| <u>Illus.</u><br><u>No.</u> | <u>Part No.</u> | <u>Description</u>                          |
|-----------------------------|-----------------|---|
|                             |                 | ACCESSORY PARTS                             |
|                             | 4396920         | Stainless Steel<br>Cleaner & Polish         |
|                             | W10160195       | Cover, Grill/Griddle                        |
|                             | W10216179       | Ring, Wok<br>Backsplash                     |
|                             | W10285449       | 48" With Shelves                            |
|                             | 31464           | Cleaner, Cooktop                            |
|                             | W10123240       | Rack, Broiler Pan &<br>Roasting             |
|                             | 8284755         | Backsplash<br>(Adjustable)                  |
|                             | JXA9001CDP      | Stainless Steel<br>Wallsplash               |
|                             | W11238043       | Kit, High Altitude<br><br>Medallion, Handle |
|                             | W11368841SI     | Silver                                      |
|                             | W11368841BO     | Black ANO                                   |
|                             | W11368841RE     | Red ANO                                     |
|                             | W11368841MP     | Marscapone (Cream)                          |
|                             | W11368841NE     | New Gold                                    |
|                             | W11368841CF     | Copper                                      |
|                             | W11368841BN     | Bronze                                      |
|                             | W11368841DD     | Dark Blue                                   |