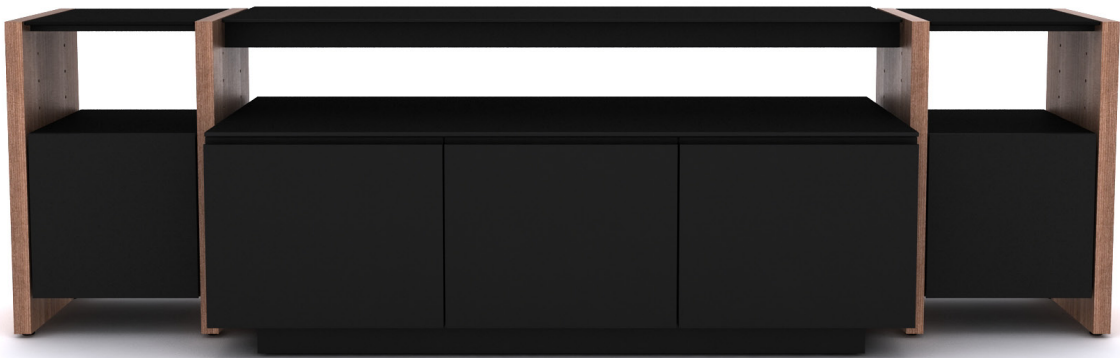


SEMBLANCE

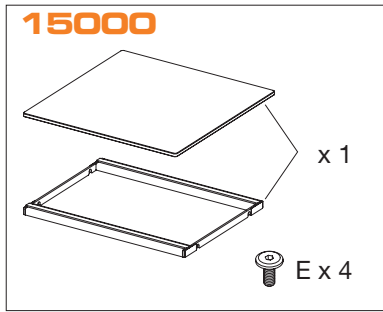
MODULAR SYSTEM

PACKAGE 5473-TD

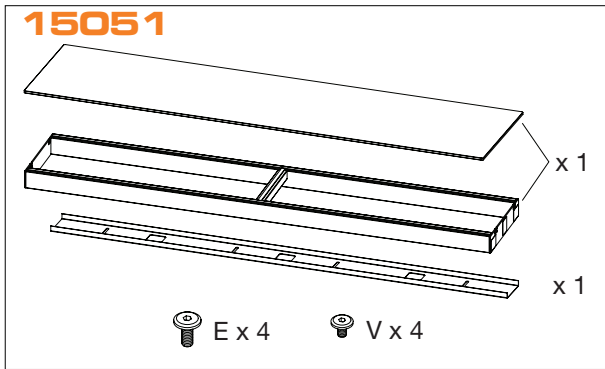
COMPONENT LIST



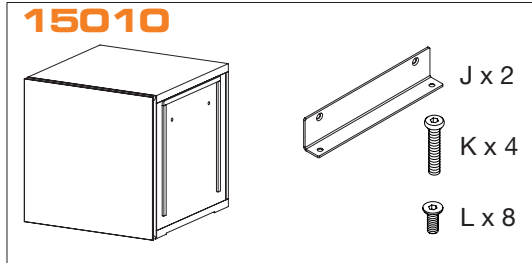
Component List



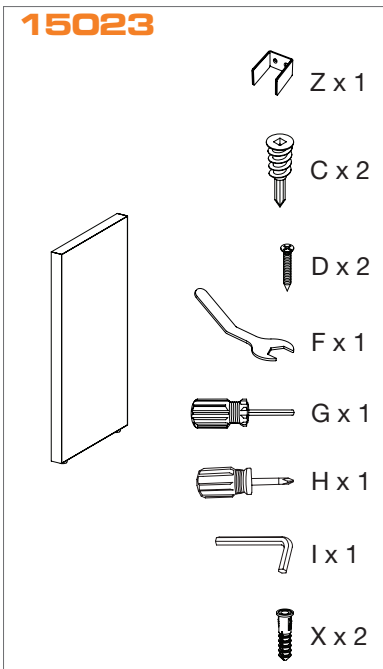
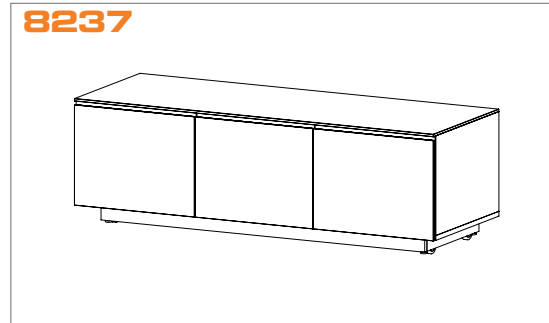
x2



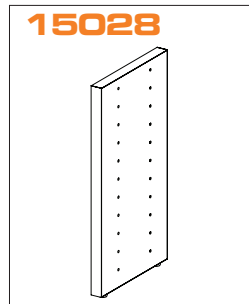
x1



x2



x2



x2

Model Details

TOP VIEW

