



CM450710
400 series fully automatic espresso machine

Width 24" (60 cm)
stainless steel-backed glass front
Controls on top

Handleless door / automatic door opening
Continuous flow heater means no waiting time and constant brewing temperature
Aroma brewing technology for a full aroma
Single portion cleaning
TFT touch display
Panel-free appliance with surface control module
One-touch operation
Personalization function
Seven light settings
Electronic fill level control for milk, water and coffee to ensure a perfect result

Color Variants

CM450710
Width 24" (60 cm)
stainless steel-backed glass front

Included accessories

1 x assembly screws.
1 x scoop.
1 x test strip.
1 x milk container (insulated).
1 x connection hose for milk frother.
1 x milk pipe.

Beverage types

Ristretto / 2 x Ristretto.
Espresso / 2 x Espresso.
Espresso macchiato / 2 x Espresso macchiato.
Coffee / 2 x Coffee.
Americano / 2 x Americano.
Caffe latte / 2 x Caffe latte.
Latte macchiato / 2 x Latte macchiato.
Cappuccino / 2 x Cappuccino.
Flat white / 2 x Flat white.
Milk froth / 2 x Milk froth.
Warm milk / 2 x Warm milk.
Hot water / 2 x Hot water.

Operation

Automatic door opening to the left.
Rotary knobs and TFT touch display operation.
Clear text display in 25 languages.
Personalization function, up to 8 beverages can be personalised and memorized.
4 beverage size settings from small to extra large; can be individually adjusted to match the size of the cup.
8 coffee strength levels from very mild to extra strong.
3 coffee and hot water temperature levels.
4 coffee-milk ratio levels.
Adjustable grinding level.
Height-adjustable coffee dispenser 2 3/4" to 5 7/8".
Easy access to water tank, milk and coffee bean container behind the door.

Features

Non-wearing grinding unit with ceramic discs.
Separate drawer for second ground coffee type.
Water pump with 275 psi (19 bar) pressure.
Double grinding and brewing cycles for extra intensity for one beverage.
Double grinding and brewing cycles for two beverages.
Beverage dispenser with integrated milk system.
Insulated stainless steel milk container for up to 17 oz. (0.5 litres).
Integrated LED lighting.
Removable bean container with aroma protecting lid for 1.1 lbs., allows for an effortless exchange of different types of coffee beans.
Automatic adjustment of ground coffee quantity.
Removable 2.5 quarts (2.4 litre) water tank.
Electronic water filter exchange indicator.

Product Features

Frothing nozzle
Yes
Hot water spout
Yes
Adjustable programs
Yes
Standby function
Yes
Pump pressure (bar)
19
Simultaneous preparation of 2 cups
Yes
Included accessories
1 x assembly screws, 1 x scoop, 1 x test strip, 1 x milk container (insulated), 1 x connection hose for milk frother, 1 x milk pipe

Optional accessories

Consumption and connection features

Product group
Built-in coffee machine
Brand
Gaggeneau
Product name / series name
SKU
CM450710
UPC code
825225922254
Variant color
Stainless steel
Typology
Fully automatic
Watts (W)
1600
Current (A)
10
Volts (V)
120
Frequency (Hz)
60
Approval certificates
UL
Power Cord Length
39"

Plug type
120V-3 prong

Recommended height for installation (in)
17 11/16"

Overall appliance dimensions (HxWxD) (in)
17 15/16" x 23 1/4" x 17 1/2"

Dimensions of the packed product (in)
Net weight (lbs)
79

Gross weight (lbs)
90

Capacity water container (l)
2.4

Dimensions of the pallet (in)

2017-08-23
Page 1

Electronic fill level control for drip tray and container for coffee residue.

Safety

Child lock.

Cleaning

Fully automatic rinse program when machine is turned on/off.
Automatic steam cleaning of the milk system after every beverage.
Automatic cleaning and descaling program.
Removable brewing unit.
Coffee residue container and drip tray dishwasher-safe.
Beverage dispenser dishwasher-safe.

Planning notes

Ideal installation height 3.1 ft. - 4.8 ft. (top edge of cut-out bottom).
The front of the appliance extends 1 7/8" from the furniture cavity.
When installing in a corner a side clearance is required.
Opening angle appr. 110° (default status upon delivery) - mounting distance to the wall has to be at least 13 3/4".
Opening angle appr. 155° - mounting distance to the wall has to be at least 25 9/16".
Opening angle appr. 92° - mounting distance to the wall has to be at least 15 1/16" (spare part# 00636455).
Installation directly above WS 461 (5 3/8" tall) warming drawer in 23 1/4" standard cut-out niche.
Special accessories (order as spare parts):
Part No. 12008246 Water filter
Part No. 00311820 Descaling tablets
Part No. 00311823 Cleaning tablets
Part No. 00636455 Door hinge restrictor (92° opening angle)
Part No. 11015223 Bean container with lid

Rating

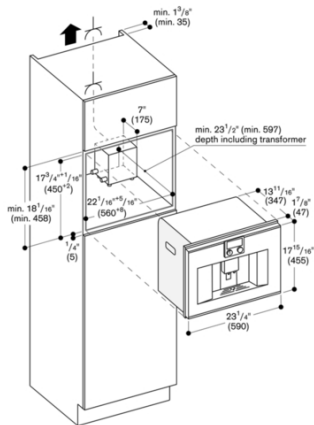
Total connected load 1.6 kW.
Total Amps: 15A.
120 V / 60 Hz.
Connection cable system 39" with plug.

CM450710
400 series fully automatic espresso
machine

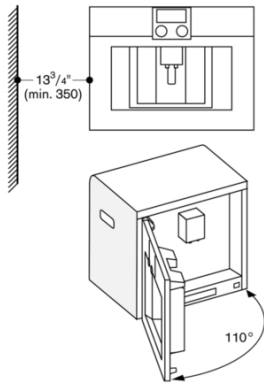
Width 24" (60 cm)
stainless steel-backed glass front

Controls on top

2017-08-23
Page 2



left corner installation



If using the 92° door hinge restrictor (spare part no. 00636455),
the minimum distance to the wall is only 3 15/16" (100 mm).