



AW442720
400 series wall hood
Stainless Steel
Width 47 1/4" (120 cm)
Air extraction / recirculation
Comes without blower. (Chose from AR400743 internal, AR400742 inline or AR401742 remote blower.)
Duct cover not included. Must be ordered separately.

Professional technology hood combined with classic Gaggenau design
Highly efficient extraction of cooking vapors due to large vapor collection area
Comes without blower, can be combined with Gaggenau's highly performing and highly efficient brushless DC (BLDC) blowers
Angled baffle filter with high grease absorption level
Automatic function, sensor-controlled power adjustment depending on the build-up of cooking vapors
Air extraction or recirculation system
Recirculation kit with activated charcoal filters: quiet and highly efficient recirculation solution with odor reduction as in air extraction mode, and long replacement intervals

Output
For CFM information, refer to the blower overview in the Models & Dimensions catalog.

Features
Three electronically controlled power levels and an intensive mode.
Automatic function with sensor-controlled delayed shut-off function.
Grease filter saturation indication by flashing light
Baffle filter, dishwasher-safe.
Lamp output 3 x LED light bars 10W. Illuminance 1110 lx.
Easy mounting system for simple installation and alignment.

Planning notes
To chose the correct blower for either extraction or recirculation, refer to the blower overview in the Models and Dimensions.
The two-part duct cover must be ordered as a separate installation accessory.
Connection to the respective appliances via network cable.
Minimum clearance above gas cooktops 30 inch.
Minimum clearance above electric cooktops 18".
Air recirculation kit with 2 activated charcoal filters is installed in the inner duct cover. Special recirculation duct covers are available.
When installing a ventilation hood with air extraction mode and a chimney-vented fireplace, the power supply line of the ventilation appliance needs a suitable safety switch.

Rating
Total rating: 40 W.
Total Amps: 15A.
120 V / 60 Hz.
Connecting cable 35,4" with plug.

Product Features
Operating Mode
Convertible: Ducted / Recirculating
Number of speed settings
Delay Shut off modes
Silence level (dBA)
Required accessories
Optional accessories
AA400510, AA442110, AA442810, AD442392
Number of lights
3
Type of lamps used
LED
Total power of the lamps (W)
30
Grease filter material
Washable stainless steel
Grease filter type
Clean filter reminders

Consumption and connection features
UPC code
825225910008
Material
Stainless steel
Watts (W)
40
Current (A)
10
Volts (V)
120
Frequency (Hz)
60
Approval certificates
VDE
Power Cord Length
35,4
Plug type
120V-3 prong
Overall appliance dimensions (HxWxD) (in)
/ x 47 1/4" x
Product packaging dimensions (HxWxD) (in)
20.47 x 51.57 x 31.49
Height of the chimney (in)
Vertical rise height
Required distance above cooktop/ ranges
23,63/25,56
Net weight (lbs)
68
Gross weight (lbs)
102
Adjustable feet
Motor location
without motor
Maximum CFM
Diameter of air duct (in) top
Diameter of air duct (in) back
Discharge direction
No-return airflow flap
No

2017-09-14
Page 1

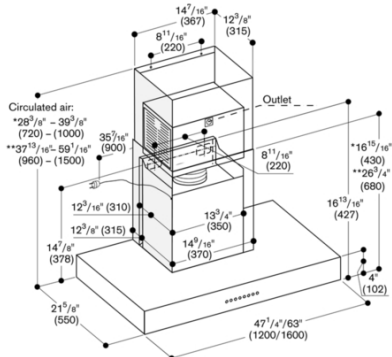
Color Variants
AW442720
Stainless Steel
Width 47 1/4" (120 cm)

Optional accessories
AA442110
2 activated charcoal filter with high efficient odor reduction due to increased surface. For air recirculation kit AA 442 810
AA442810
Air recirculation kit inclusive 2 activated charcoal filters with high efficient odor reduction due to increased surface.
AD442392
Ceiling collar for chimneys

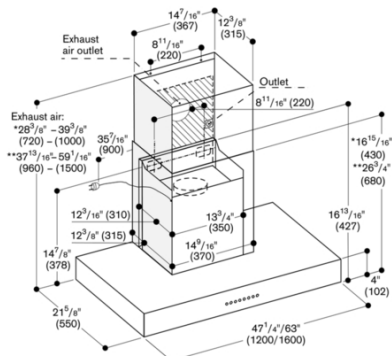
Required installation accessories
AD442012
Stainless steel duct over
AD442022
Stainless steel duct over
AD442112
Stainless steel duct cover
AD442122
Stainless steel duct cover

AW442720
 400 series wall hood
 Stainless Steel
 Width 47 1/4" (120 cm)
 Air extraction / recirculation
 Comes without blower. (Chose from
 AR400743 internal, AR400742 inline or
 AR401742 remote blower.)
 Duct cover not included. Must be
 ordered separately.

2017-09-14
 Page 2



- * With the air recirculation duct cover AD 442 112 suitable for ceiling heights of 7.6 ft (2.35 m) to 8.6 ft (2.60 m).
- ** With the air recirculation duct cover AD 442 122 suitable for ceiling heights of 8.6 ft (2.60 m) to 10.2 ft (3.10 m); specifications refer to a distance from floor to lower chimney edge of 5.2 ft (1.60 m).



- * With the exhaust air duct cover AD 442 012 suitable for ceiling heights of 7.6 ft (2.35 m) to 8.6 ft (2.60 m).
- ** With the exhaust air duct cover AD 442 022 suitable for ceiling heights of 8.6 ft (2.60 m) to 10.2 ft (3.10 m); specifications refer to a distance from floor to lower chimney edge of 5.2 ft (1.60 m).