



AL400791
Retractable downdraft ventilation
Stainless Steel
Width 35 3/4 " (90 cm)
Air extraction / recirculation
Comes without blower. (Chose from AR400743 internal, AR400742 inline or AR401742 remote blower.)

Extendable table ventilation, when not in use can be completely lowered into the worktop
 Can be perfectly combined with other Vario 400 series products
 Dimmable, neutral white surface LED light for ideal illumination of the whole cooktop
 Precision crafting of 1/8-inch stainless steel
 For surface mount installation with a visible edge or for flush installation
 Comes without blower, can be combined with Gaggenau's highly performing and highly efficient brushless DC (BLDC) blowers

Output

For CFM information, refer to the blower overview in the Models & Dimensions catalog.

Features

Three electronically controlled power levels and an intensive mode.
 Grease filter saturation indication by flashing light
 Cartridge-type filter, dishwasher-safe.
 Neutral white surface LED light (3600 K), continuously dimmable.
 Lamp output 4 x LED 6medium power 5W stripe.
 Illuminance 200 lx.
 No duct connection pieces are included. Must order AD724040 transition to 5" round duct to vent downwards/to left or to the right side and AD724041 adaptor if venting to left or right side of VL 414 downdraft.

Planning notes

Connection to the respective appliances via network cable.
 Operation of Vario cooking appliances only possible without appliance cover.
 Can be combined with gas cooktops up to 60.000 BTU.
 In combination with the induction cooktop CI 490, installation in 24" deep countertops is possible.
 If the remote blower unit is installed within the bottom cabinet and if combined with VK or VF ensure accessibility to the outlets.
 Flush installation is possible in countertops made of stone, synthetics or solid wood. Heat resistance and watertight sealing of the edges must be observed. For other materials, please consult with your countertop manufacturer.
 The remaining surface of the worktop 2" (min. 50 mm) between the cut-outs must be reinforced with a support. It is recommended to use furniture support AA 409 401/431.
 Ovens not exceeding the maximum allowed cabinet temperature can be combined with the backsplash ventilation, if built-in situation permits.
 To avoid smoke when frying/grilling refer to the manuals of VR/VP.
 When installing a ventilation hood with air extraction mode and a chimney-vented fireplace, the power supply line of the ventilation appliance needs a suitable safety switch.

Rating

Total rating: 65 W.
 Connecting cable 5'6" with plug.

Product Features

Operating Mode
 Convertable: Ducted / Recirculating
Number of speed settings
Delay Shut off modes
 6M
Silence level (dBA)
Required accessories
 Blower
Optional accessories
 AA400510
Number of lights
 4
Type of lamps used
 LED
Total power of the lamps (W)
 20
Grease filter material
 Washable stainless steel
Grease filter type
 Multilayer cassette
Clean filter reminders

Consumption and connection features

UPC code
 825225910251
Material
 Stainless steel
Watts (W)
 65
Current (A)
 10
Volts (V)
 100-120
Frequency (Hz)
 60
Approval certificates
 VDE
Power Cord Length
 66,93
Plug type
 120V-3 prong
Overall appliance dimensions (HxWxD) (in)
 21 1/4 " - 34 1/4 " / 21 1/4 " - 34 1/4 " x 35 3/4 " x
Product packaging dimensions (HxWxD) (in)
 14.96 x 24.99 x 40.55
Height of the chimney (in)
Vertical rise height
 0 "-13 "
Required distance above cooktop/ranges
Net weight (lbs)
 73
Gross weight (lbs)
 84
Adjustable feet
Motor location
 External motor
Maximum CFM
Diameter of air duct (in) top
Diameter of air duct (in) back
 6
Discharge direction
 horizontal
No-return airflow flap
 No
2017-08-31
Page 1

Color Variants

AL400791
Stainless Steel
Width 35 3/4 " (90 cm)

Required installation accessories

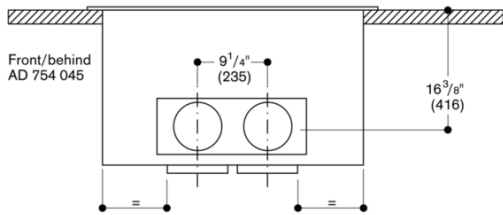
AD754045
Connection piece to 2x ø 6" round aluminum flex ducts

Installation Accessories

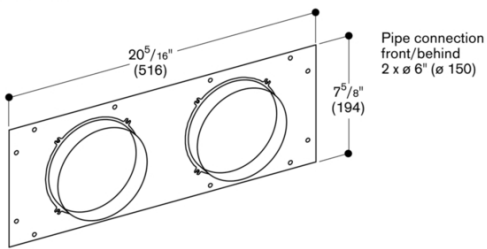
AA010410
Air exhaust grille recirculation mode
AA409401
Furniture support for 36" AL 400 downdraft
AD704048
Air collector box ø 6" round duct

AL400791
 Retractable downdraft ventilation
 Stainless Steel
 Width 35 3/4" (90 cm)
 Air extraction / recirculation
 Comes without blower. (Chose from AR400743 internal, AR400742 inline or AR401742 remote blower.)
 2017-08-31
 Page 2

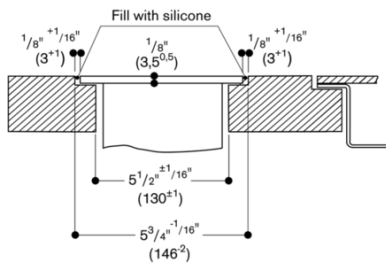
AL 400 connection positions ø 6"



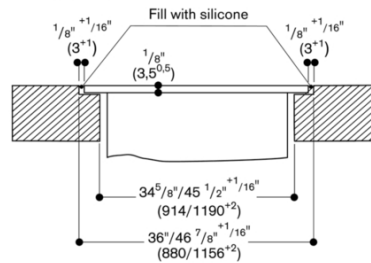
AD 754 045



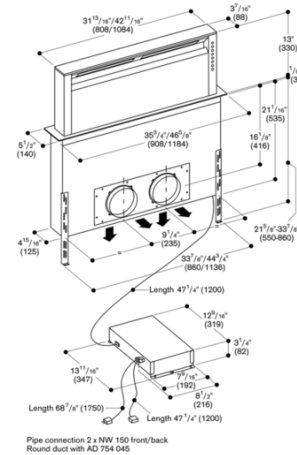
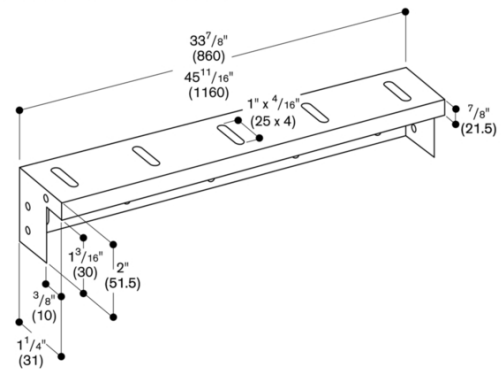
Cross-section



Longitudinal section



AA 409 401/431 cabinet support



AL400791

Retractable downdraft ventilation

Stainless Steel

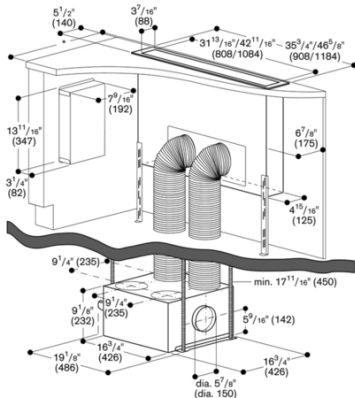
Width 35 3/4 " (90 cm)

Air extraction / recirculation

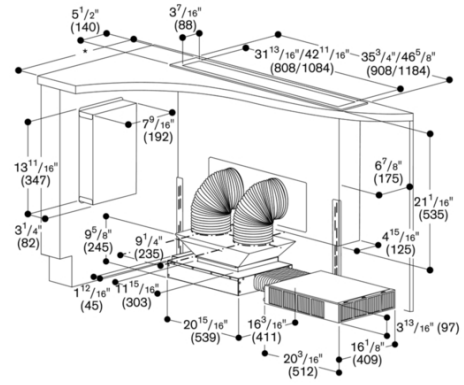
Comes without blower. (Chose from AR400743 internal, AR400742 inline or AR401742 remote blower.)

2017-08-31

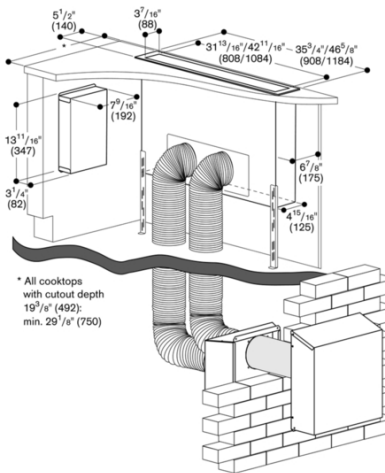
Page 3



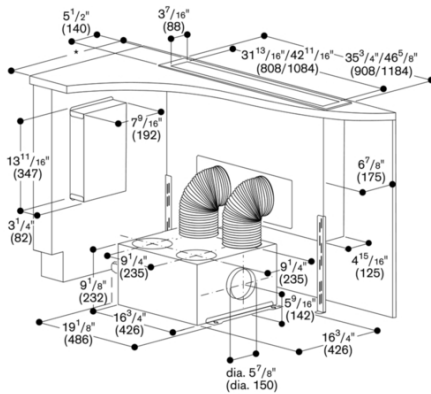
* All cooktops with cutout depth $19\frac{3}{8}''$ (492); min. $29\frac{1}{8}''$ (750)



* All cooktops with cutout depth $19\frac{3}{8}''$ (492); min. $29\frac{1}{8}''$ (750)



* All cooktops with cutout depth $19\frac{3}{8}''$ (492); min. $29\frac{1}{8}''$ (750)



* All cooktops with cutout depth $19\frac{3}{8}''$ (492); min. $29\frac{1}{8}''$ (750)

GAGGENAU