

Gaggenau

Installation instructions.....2
Notice de montage 14
Instrucciones de instalación.....26

AL 400 721/791

Backsplash ventilation
Hotte de plan de travail
Extractor de superficie

Safety Definitions

WARNING

This indicates that death or serious injuries may occur as a result of non-observance of this warning.

CAUTION

This indicates that minor or moderate injuries may occur as a result of non-observance of this warning.

NOTICE: This indicates that damage to the appliance or property may occur as a result of non-compliance with this advisory.

Note: This alerts you to important information and/or tips.

IMPORTANT SAFETY INSTRUCTIONS

READ AND SAVE THESE INSTRUCTIONS

INSTALLER: LEAVE THESE INSTRUCTIONS WITH THE APPLIANCE AFTER INSTALLATION IS COMPLETE.

IMPORTANT: SAVE THESE INSTRUCTIONS FOR THE LOCAL ELECTRICAL INSPECTOR'S USE.

WARNING

If the information in this manual is not followed exactly, fire or shock may result causing property damage or personal injury.

WARNING

Do not repair, replace or remove any part of the appliance unless specifically recommended in the manuals. Improper installation, service or maintenance can cause injury or property damage. Refer to this manual for guidance. All other servicing should be done by an authorized servicer.

WARNING

WARNING – TO REDUCE THE RISK OF FIRE, ELECTRIC SHOCK, OR INJURY TO PERSONS, OBSERVE THE FOLLOWING:

- Installation work and electrical wiring must be done by qualified person(s) in accordance with all applicable codes and standards, including fire-rated construction.
- Sufficient air is needed for proper combustion and exhausting of gases through the flue (chimney) of fuel burning equipment to prevent back drafting. Follow the heating equipment manufacturer's guideline and safety standards such as those published by the National Fire Protection Association (NFPA), and the American Society for Heating, Refrigeration and Air Conditioning Engineers (ASHRAE), and the local code authorities.
- When cutting or drilling into wall or ceiling, do not damage electrical wiring and other hidden utilities.
- Ducted fans must always be vented to the outdoors.

WARNING

The applicable regulations of the energy supply companies and the regional construction regulations must be observed when installing the hood.

WARNING

Risk of fire

Grease deposits in the grease filter can catch fire. Never work with a naked flame near the appliance (e.g. flambéing). Install the unit near a heat-producing appliance for solid fuels (e.g. wood or coal) only if there is a closed, non-detachable cover. There must be no flying sparks.

WARNING

Risk of fire

Operating several gas burners at the same time gives rise to a great deal of heat. The ventilation appliance may become damaged or catch fire. The ventilation appliance must only be combined with gas burners that do not exceed the maximum total output of 61,000 BTU/hr (18 kW). If 41,000 BTU/hr (12 kW) is exceeded, the local regulations concerning room ventilation, room size, and combination with ventilation devices in exhaust and recirculating operation must be followed.

WARNING

To reduce risk of fire and to properly exhaust air, be sure to duct air outside. Do not vent exhaust air into spaces within walls, ceilings, attics, crawl spaces or garages.

WARNING

To reduce the risk of fire, use only metal ductwork.



IMPORTANT SAFETY INSTRUCTIONS

READ AND SAVE THESE INSTRUCTIONS

WARNING

When the hood is operated in exhaust-air mode simultaneously with a different burner which also makes use of the same chimney (such as gas, oil or coal-fired heaters, continuous-flow heaters, hot-water boilers) care must be taken to ensure that there is an adequate supply of fresh air which will be needed by the burner for combustion.

Safe operation is possible provided that the under pressure in the room where the burner is installed does not exceed 4 Pa (0.04 mbar).

This can be achieved if combustion air can flow through non-lockable openings, e.g. in doors, windows and via the air-intake/exhaust-air wall box or by other technical measures, such as reciprocal interlocking, etc.

WARNING

Avoid carbon monoxide poisoning – Provide adequate air intake so combustion gases are not drawn back into the room.

An air-intake/exhaust-air wall box by itself is no guarantee that the limiting value will not be exceeded.

Note: When assessing the overall requirement, the combined ventilation system for the entire household must be taken into consideration. This rule does not apply to the use of cooking appliances, such as cooktops and ovens.

CAUTION

For general ventilating use only. Do not use to exhaust hazardous or explosive materials and vapors.

Appliance Handling Safety

Unit is heavy and requires at least two people or proper equipment to move.

Hidden surfaces may have sharp edges. Use caution when reaching behind or under appliance.

WARNING

Risk of injury

The appliance may fall from the wall if it is not attached properly. All fastening components must be fixed firmly and securely in place.

WARNING

Risk of tipping over

The appliance is very narrow and can tip over easily. Do not place appliance upright on the floor. Place the appliance flat on the floor.

Safety Codes and Standards

This appliance complies with the latest version of one or more of the following standards:

- UL 507 - Electric Fans
- CAN/CSA C22.2 No. 113 - Fans and Ventilators

It is the responsibility of the installer to determine if additional requirements and/or standards apply to specific installations.

Electric Safety

WARNING

GROUNDING INSTRUCTIONS

This appliance must be grounded. In the event of an electrical short circuit, grounding reduces the risk of electric shock by providing an escape wire for the electric current.

This appliance is equipped with a cord having a grounding wire with a grounding plug. The plug must be plugged into an outlet that is properly installed and grounded.

IMPORTANT SAFETY INSTRUCTIONS

READ AND SAVE THESE INSTRUCTIONS

WARNING

Improper grounding can result in a risk of electric shock. Consult a qualified electrician if the grounding instructions are not completely understood, or if doubt exists as to whether the appliance is properly grounded. Do not use an extension cord. If the power supply cord is too short, have a qualified electrician install an outlet near the appliance.

WARNING

Before you plug in an electrical cord or turn on power supply, make sure all controls are in the OFF position.

For appliances equipped with a cord and plug, do not cut or remove the ground prong. It must be plugged into a matching grounding type receptacle to avoid electrical shock. If there is any doubt as to whether the wall receptacle is properly grounded, the customer should have it checked by a qualified electrician.

If required by the National Electrical Code (or Canadian Electrical Code), this appliance must be installed on a separate branch circuit.

WARNING

To reduce the risk of fire or electric shock, do not use this fan with any solid-state speed control device.

Installer – show the owner the location of the circuit breaker or fuse. Mark it for easy reference.

Before installing, turn power OFF at the service panel. Lock service panel to prevent power from being turned ON accidentally.

WARNING

TO REDUCE THE RISK OF FIRE, ELECTRIC SHOCK, OR INJURY TO PERSONS, OBSERVE THE FOLLOWING:

- Use this unit only in the manner intended by the manufacturer. If you have questions, contact the manufacturer.
 - Before servicing or cleaning unit, switch power off at service panel and lock the service disconnecting means to prevent power from being switched on accidentally.
When the service disconnecting means cannot be locked, securely fasten a prominent warning device, such as a tag, to the service panel.
-

Be sure your appliance is properly installed and grounded by a qualified technician. Installation, electrical connections and grounding must comply with all applicable codes.

WARNING

Risk of electric shock

Parts inside the appliance can have sharp edges. The connection cable can be damaged. Do not bend or pinch connection cables during installation.

Related Equipment Safety

Remove all tape and packaging before using the appliance. Destroy the packaging after unpacking the appliance. Never allow children to play with packaging material.

The appliance is only guaranteed safe to use if installed by an authorized installer or servicer in accordance with these installation instructions. The installer is liable for any damage resulting from incorrect installation.

Never modify or alter the construction of the appliance. For example, do not remove leveling legs, panels, wire covers or anti-tip brackets/screws.

State of California Proposition 65 Warnings

WARNING

This product contains chemicals known to the State of California to cause cancer, birth defects or other reproductive harm.

General notes

Exhaust air mode

Note: Ventilation may not exit through an already operational smoke or exhaust chimney, nor a duct used for ventilating furnace installation areas.

- If the ventilation is intended to pass through a smoke or exhaust chimney that is not in operation, the responsible area heating inspector must give approval.
- If the ventilation passes through an external wall, use a telescope wall sleeve.

Ventilation line

Note: The appliance manufacturer does not assume any warranty for complaints attributable to the duct section.

- The appliance achieves its optimum performance by means of a short, straight exhaust air duct and as large a duct diameter as possible.
- As a result of long rough exhaust air ducts, many duct bends or duct diameters that are smaller than 6" (150 mm), the optimum extraction performance is not achieved and fan noise is increased.
- The ducts or hoses for laying the exhaust air line must be made of non-combustible material.
- Use sealing strip for deviating duct diameters.

Electrical connection

WARNING

Risk of electric shock

Parts inside the appliance can have sharp edges. The connection cable can be damaged. Do not bend or pinch connection cables during installation.

Check your domestic installation before installing the appliance. Pay attention to suitable fusing of your domestic installation. The voltage and frequency of the appliance must agree with the electrical installation (see rating plate).

The appliance complies with protective class I and may only be operated with a PE conductor connection.

The installation must contain a disconnecter with a contact opening of at least 1/8" (3 mm) that isolates all poles from the mains. It must still be accessible after installation.

Only an electrical specialist may lay or replace the connecting lead, paying attention to the applicable regulations.

If the mains connecting lead of this appliance is damaged, it must be replaced with a special connecting lead, which is obtainable from the manufacturer or the manufacturer's after-sales service.

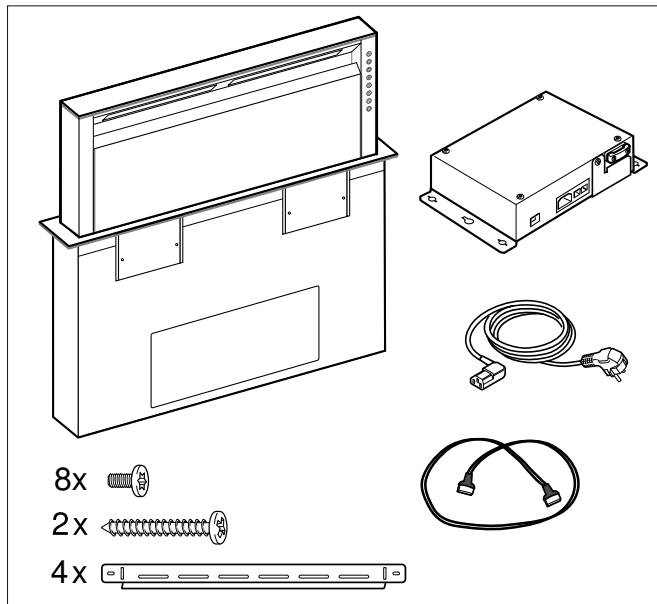
Before you begin

Tools and parts needed

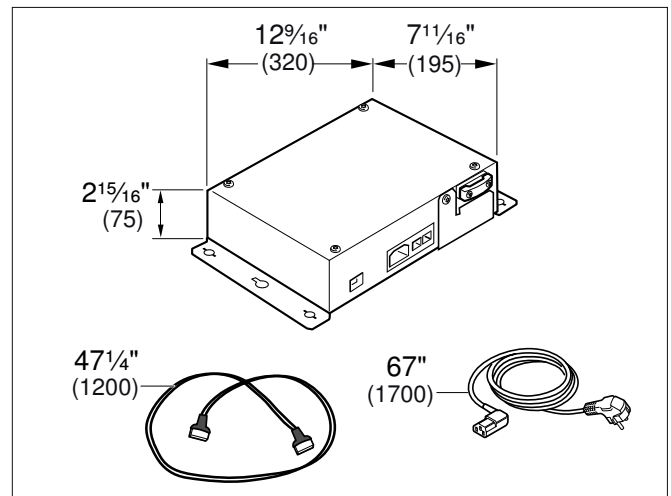
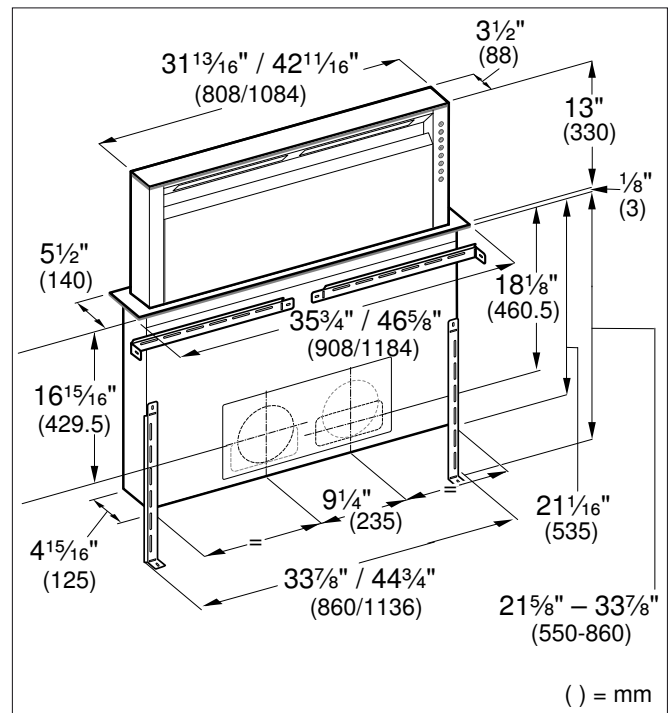
- Screwdriver Torx T20
- Pencil
- Drill with 1/4" (6 mm) bit
- Jigsaw
- Tape Measure

Note: Additional materials may be necessary for installation in solid surface countertops. Contact the countertop manufacturer.

Parts included



Appliance dimensions



Installation accessories

- AA 010 410 Air exhaust grill circulating air 3⁹/₁₆" (90 mm)
- AD 754 045 Connecting studs for aluminum flex pipe 2x NW 5¹⁵/₁₆" (150 mm) round

Prepare Installation Space

The kitchen unit must be heat-resistant to at least 200° F (90° C). The stability of the unit must be maintained after producing the cut-out.

Produce the cut-out in the countertop for one or more Vario appliances as shown in the installation sketch. The angle between the cut surface and the countertop must be 90°.

The cut edges at the sides must be flat to ensure a good fit of the retaining springs on the appliance. In laminated worktops, it may be necessary to fit strips at the sides of the cut-out.

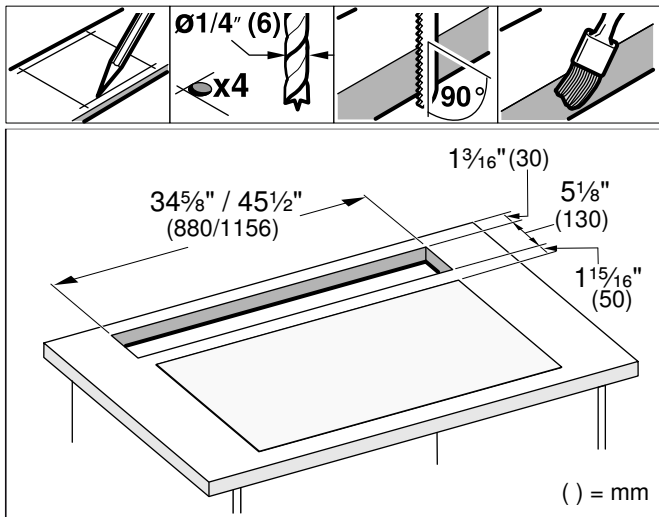
Remove shavings after cutting. Seal cut surfaces for resistance to heat and so they are watertight.

Pay attention to a minimum gap of 3/8" (10 mm) from the underside of the appliance to kitchen units.

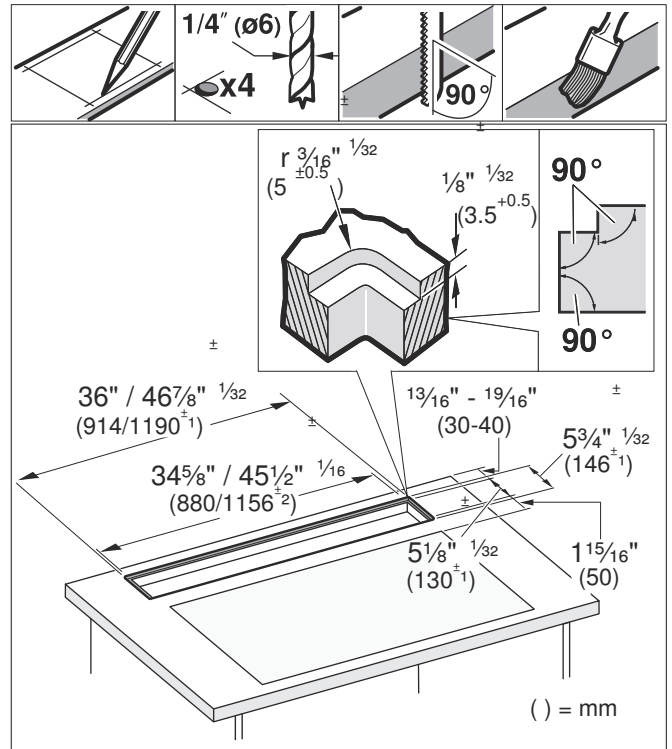
Use suitable base constructions to ensure load-carrying capacity and stability, especially in the case of thin countertops. Pay attention to the weight of the appliance, including any payload. Reinforcement material used must be resistant to heat and moisture.

Note: Wait until the appliance has been installed in the installation opening before checking that it is level.

Cutting out countertop



Flush mounting: Flush mounting into a countertop is possible.



Flush installation: The appliance can be installed in the following temperature- and water-resistant countertops:

- Stone countertops
- Plastic countertops (such as Corian®)
- Solid wood countertops: Only in consultation with the manufacturer of the countertop (seal cut-out edges)
- Installation in other countertops only in consultation with the manufacturer of the countertop.

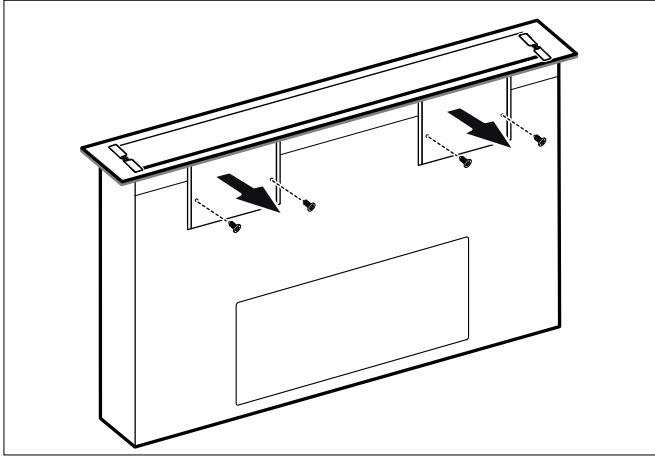
Installation in countertops made of particleboard is not possible.

Note: Any cut-out work on the countertop must be performed in a workshop according to the installation diagram. The cut-out must be made cleanly and precisely since the cut-out edge is visible on the surface. Clean and degrease the cut-out edges with a suitable cleaning agent (bear in mind silicone manufacturer's processing instructions).

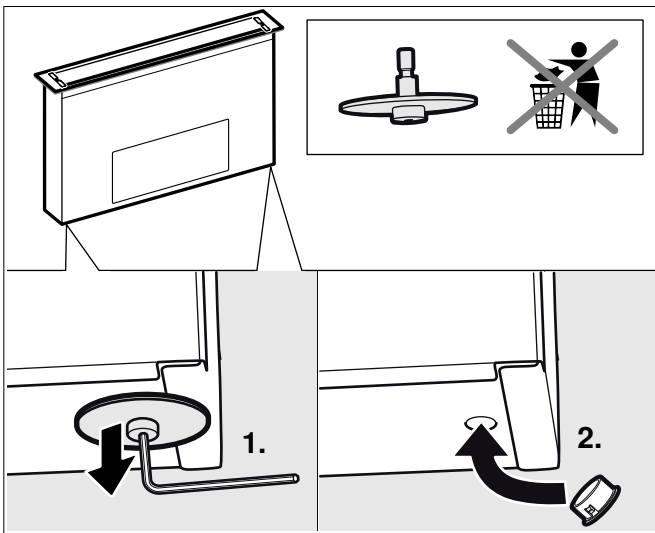
Installation Procedure

- 1 Before inserting the appliance into the cut-out of the countertop, remove the following transport locks:

- 2 plates on the front side of the appliance



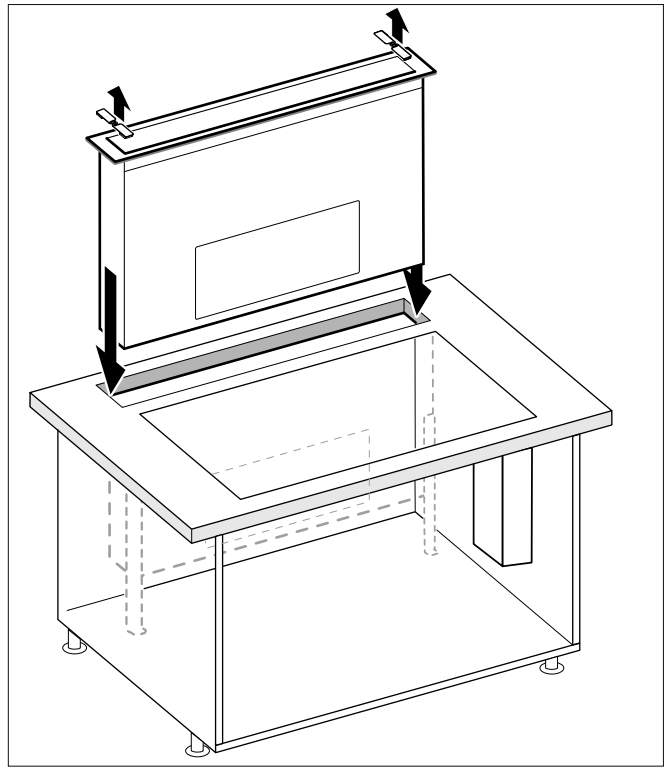
- 2 fastening screws on the underside of the appliance
Plug holes on the underside of the device with the locking cap.



Note: Keep the transport locks. Re-mount transport locks before transporting the appliance (e.g. during a move).

- 2 Push appliance from above into the cut-out of the countertop.

Note: Make sure that the seal on the underside of the cover does not slide.



- 3 **Only for built-in installation: Before joining, make sure to perform a function test!** Join surrounding gap with a suitable, temperature-resistant silicone glue (e.g. Novasil®, Pactan®). Smooth seal joint with a smoother recommended by the manufacturer. Heed the processing instructions for the silicone glue. Only start up the appliance after complete drying of the silicone glue (at least 24 hours, depending on the room temperature).

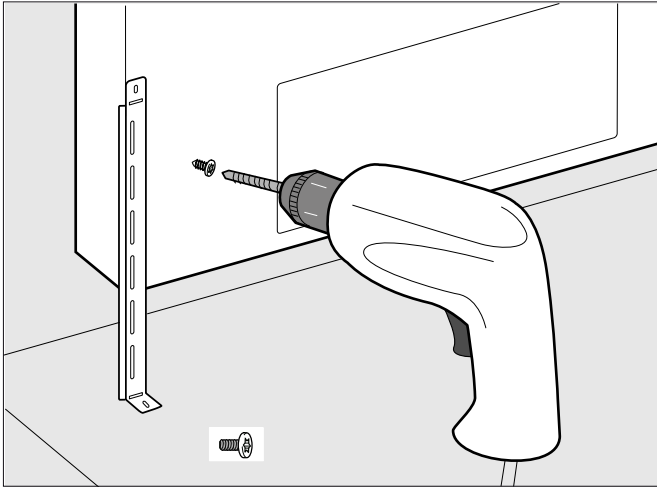
NOTICE: Unsuitable silicone glue causes permanent discoloration with natural stone countertops.

- 4 Insert appliance evenly into the cut-out. Press firmly from above into the cut-out.

Notes

- The appliance must sit fast in the cut-out and may not slide (e.g. during cleaning). For cut-out width on the upper tolerance limit, if necessary fasten ledges on the side in the cut-out.
- Remove both plastic parts on the left and right of the cover.

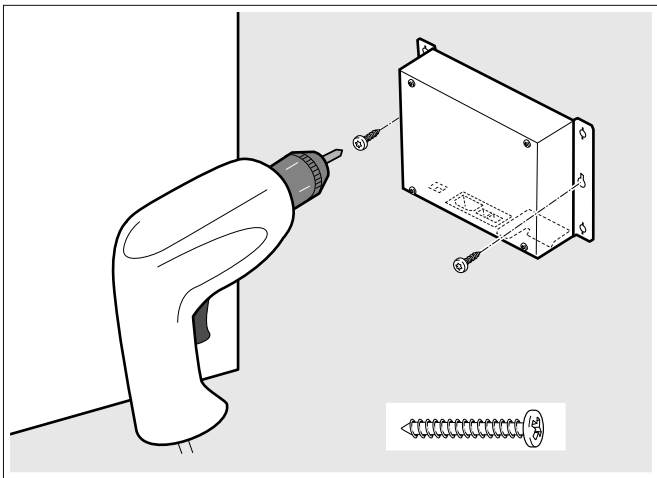
- 5 Level the appliance in the cupboard. Ensure that the cover for the appliance lays flat on the countertop. Bend the lower end of the fastening bracket by 90° at the perforation. Screw the fastening bracket on the appliance and on the furniture bottom with the included sheet metal screws.



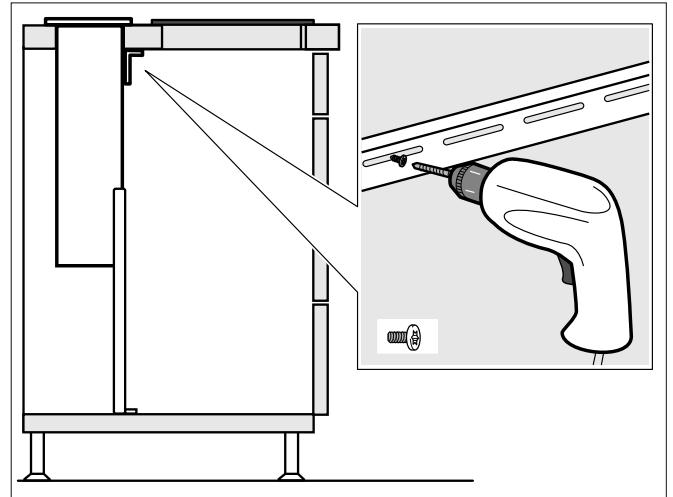
- 6 Fasten the control unit to the side wall of the fitted unit.

⚠ CAUTION

Penetrating moisture may cause electric shock. Do not secure the control unit to the base of the fitted unit.



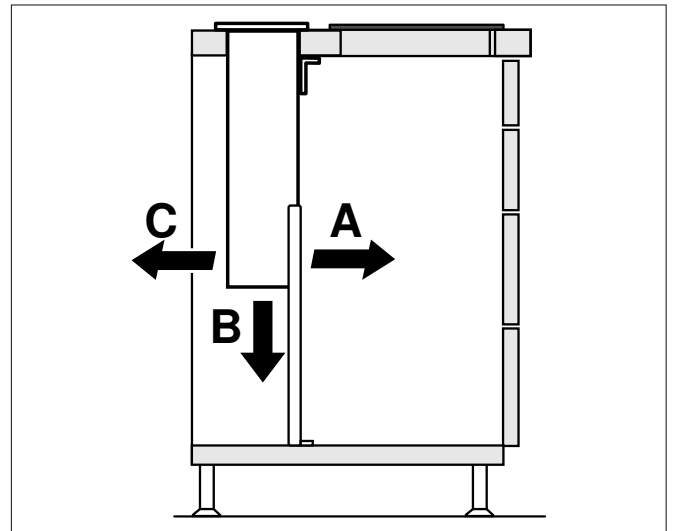
- 7 Attach furniture strut. There are holes provided in the appliance for fastening the furniture struts. Screw the furniture struts to the appliance and to the countertop with the included sheet metal screws.



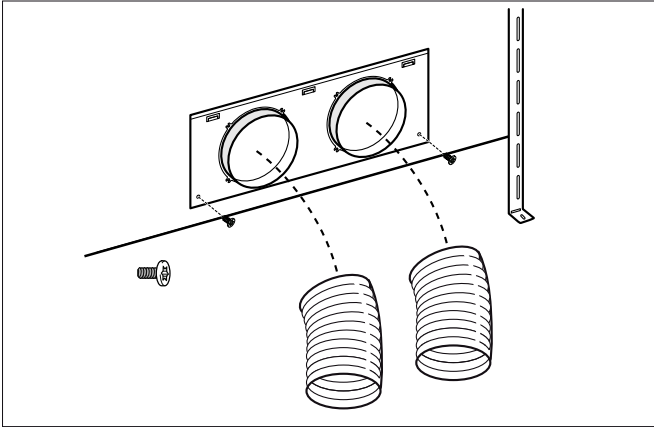
- 8 Depending on the installation situation, the exhaust air outlet may run in three different directions (A, B and C).

Notes

- Depending on the installation situation, different connecting studs are required.
- Follow the instructions for the fan module for exhaust air outlet.



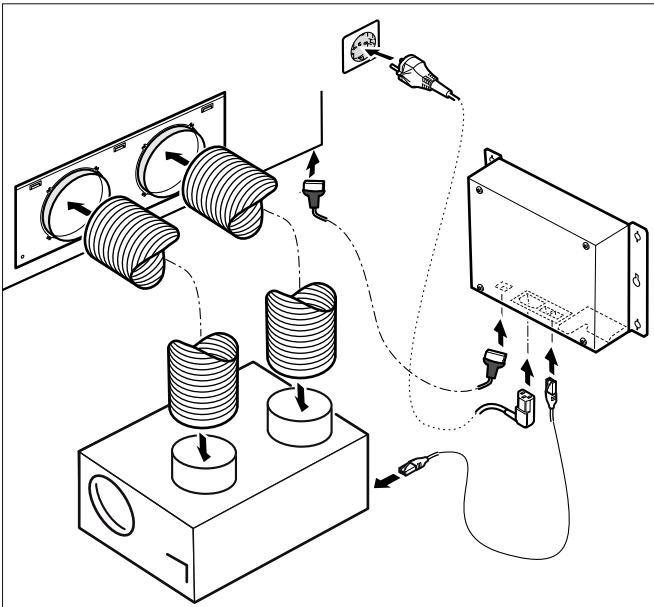
- 9 Fasten the connecting studs to the appliance. Secure the exhaust air pipe to the connecting piece and seal appropriately. Connection with round pipe.



Note: If using an aluminum pipe, smooth the connection area beforehand.

- 10 Connecting the connection cable: Firmly insert the control cable from the control unit into the appliance and the fan module. The plug must snap into place. Connect the control unit and fan module to the mains and check that they work correctly. If the appliance does not work, check that the connection cable is positioned correctly.

Note: The X1 and X2 connection sockets are identical.



Additional switching output

⚠ WARNING

Work must only be carried out on the additional switching output by a qualified electrician in accordance with the country-specific requirements and standards.

The appliance has an additional switching output X16 (potential-free contact) that can be used to connect other appliances, such as a ventilation system that is available at the installation site. The contact is closed when the blower is switched on, and is opened when the blower is switched off.

The switching output is located under a cover. Maximum switching power 30 V/1 A (AC/DC). The signal that is connected to the contact must correspond to class of protection 3.

Connection for window contact switch AA 400 510

Work on the connection for the window contact switch must only be carried out by a qualified electrician in accordance with the requirements and standards of the country in which the appliance is being used.

The appliance has a connection (X17) for a window contact switch. The window contact switch can be flush mounted or surface mounted. You will receive the window contact switch AA 400 510 separately as an accessory. Please observe the installation instructions enclosed with the window contact switch.

If a window contact switch is connected, the extractor hood's ventilation system will only work with the window open. The lighting will work even if the window is closed.

If you switch on the ventilation system with the window closed, the button for the ventilation setting you have selected will flash, and the ventilation system will not switch on.

If you close the window while the ventilation system is on, the appliance will switch the ventilation system off within 5 seconds. The button for the ventilation setting you have selected will flash.

The entire ventilation network and window contact switch must be assessed by a master chimney sweep.

Networked operation

Several appliances can be networked together. The light and blower on each of the appliances are operated synchronously.

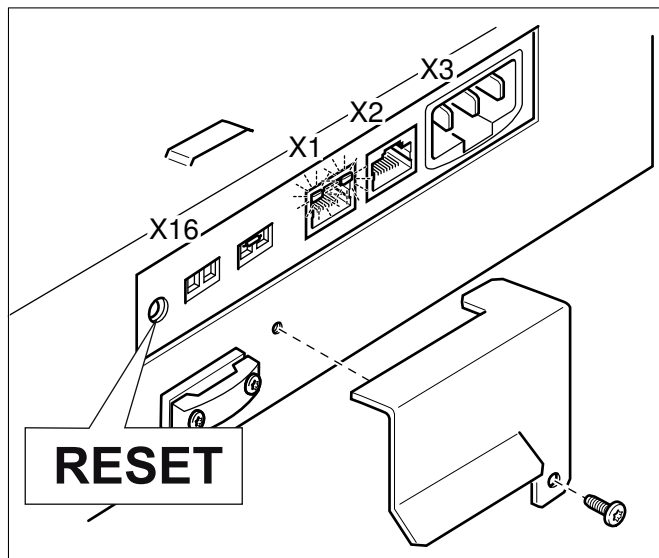
Connect the appliances in series via the connector sockets X1 and X2 (equal value). The sequence of the networking does not have any effect. If the enclosed network cables are too short, use a commercially available network cable (min. Cat. 5, shielded).

Maximum number of networked appliances: 20. Total length of all of the network cables: 131 feet (40 m). During the initial installation, a qualified electrician must check that the system functions correctly.

If one of the networked appliances fails (power interruption, network cable disconnected), this leads to the blower function being blocked for the entire system. All of the buttons on the appliance flash.

When changing the configuration, the system must be re-initialized:

- 1 Unscrew the cover plate.
- 2 Press and hold the reset button until both LEDs light up continuously (approx. 5 seconds). Then release the button within 5 seconds.
- 3 Screw on the cover plate.
- 4 After initialization, have a qualified electrician check that the system functions correctly.



Connect Electrical Supply

⚠ WARNING

Risk of electric shock

Parts inside the appliance can have sharp edges. The connection cable can be damaged. Do not bend or pinch connection cables during installation.

Refer to data plate for more information. See "Service" for data plate location.

The branch-circuit breakers ampacity, the wire sizes and the connections must conform to the requirements of the National Electrical Code or Canadian Electrical Code and all local codes and ordinances.

This appliance is connected with a plug

- Plug has to be conform with NEMA CONFIGURATIONS FOR PLUGS AND RECEPTACLES.
- The appliance must be properly grounded.
- Plug must be rated not less than type 6-20 P (2-pole 3-wire grounding).
- Only a qualified electrician should connect the plug.
- Install a socket outlet earthed in accordance with regulations approx. 27" (700 mm) above the floor behind the appliance. The socket outlet must still be accessible after installation.

Removing appliance

Disconnect the appliance from the power supply. For flush-mounted appliances, remove the silicone joint. Push out the appliance from below.

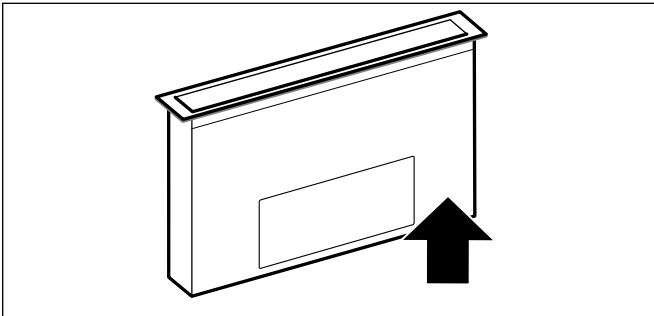
⚠ CAUTION

Damage to appliance! Don't lever device out from above at the frame.


Customer service

If your appliance needs repairs, our customer service is there for you. We work hard to help solve problems quickly and without unnecessary service calls, getting your appliance back up and running correctly in the least amount of time possible.

When you call, please indicate the product number (E-Nr.) and serial number (FD-Nr.) so that we can support you in a qualified manner. You will find the type plate with these numbers at the lower front side of the appliance. To access it, open the door of the cupboard in which the appliance is fitted.



To avoid having to search for a long time when you need it, you can enter your appliance data and the customer support telephone number here.

E-Nr.	FD-Nr.
<hr/> Customer Service 	

Please read the use and care instructions provided with your appliance. Failure to do so may result in an error in using the appliance. This could result in a service call that instead of fixing a mechanical issue is only needed for customer education. Such calls are not covered by the appliance warranty.

Please find the contact data of all countries in the enclosed customer service list.

To book an engineer visit and product advice

USA 877 442 4436
 toll-free

CANADA 877 442 4436
 toll-free

You can rely on the manufacturer's expertise. Rest assured that the repair will be handled by trained service technicians who have the original replacement parts for your appliance.

Définitions de sécurité

AVERTISSEMENT

Ceci indique que le non-respect de cet avertissement peut entraîner des blessures graves, voire la mort.

ATTENTION

Ceci indique que le non-respect de cet avertissement peut entraîner des blessures légères ou de gravité moyenne.

AVIS : Ceci indique que la non-conformité à cet avis de sécurité peut entraîner des dégâts matériels ou endommager l'appareil.

Remarque : Ceci vous signale des informations et/ou indications importantes.

CONSIGNES DE SÉCURITÉ IMPORTANTES

LIRE ET CONSERVER CES INSTRUCTIONS

INSTALLATEUR : LAISSEZ CES INSTRUCTIONS AVEC L'APPAREIL APRÈS UNE FOIS L'INSTALLATION TERMINÉE.

IMPORTANT : CONSERVER CES INSTRUCTIONS POUR L'USAGE DE L'INSPECTEUR ÉLECTRIQUE LOCAL.

AVERTISSEMENT

Si l'information de ce guide n'est pas suivie exactement, il peut en résulter un incendie ou un choc électrique causant des dommages à la propriété, des blessures ou la mort.

AVERTISSEMENT

Ne réparez, remplacez, ni ne retirez aucune partie de l'appareil, excepté si les manuels recommandent de le faire. Une installation, un entretien ou une inspection incorrects peuvent occasionner des blessures ou des dommages matériels. Reportez-vous au présent manuel pour obtenir des indications. Toute autre intervention doit être effectuée par un technicien agréé.

AVERTISSEMENT

ATTENTION – AFIN DE RÉDUIRE LES RISQUES D'INCENDIE, DE CHOC ÉLECTRIQUE OU DE BLESSURES CORPORELLES, VEUILLEZ SUIVRE LES INSTRUCTIONS SUIVANTES :

- Les travaux d'installation et de raccordement électrique doivent être effectués par une personne qualifiée, conformément aux codes et standards de construction, y compris ceux concernant le feu.
- Assurez-vous que l'aération est suffisante pour permettre la combustion et l'évacuation des gaz par le conduit de cheminée d'un appareil à combustible afin de prévenir le refoulement d'air. Respectez les instructions du fabricant de l'appareil de chauffage et les normes de sécurité, comme celles publiées par la National Fire Protection Association (NFPA) et par la American Society for Heating, Refrigeration and Air Conditioning Engineers (ASHRAE), ainsi que par les autorités locales.
- Lorsque vous faites une ouverture dans un mur ou un plafond, veillez à ne pas endommager les fils électriques ou les conduites qui y sont dissimulés.
- Les soufflantes canalisées doivent donner sur l'extérieur.

AVERTISSEMENT

Pour l'installation de la hotte, vous devez respecter tous les règlements des entreprises de distribution d'électricité et de construction régionaux applicables.

AVERTISSEMENT

Risque d'incendie

Les dépôts se trouvant dans le filtre à graisse peuvent s'enflammer. Ne jamais cuisiner à proximité de l'appareil avec une flamme ouverte (par exemple pour faire flamber). Installer l'appareil près d'un foyer pour combustibles solides (bois ou charbon par exemple) seulement s'il y a un couvercle fermé et non amovible. Il ne faut pas qu'il se produise de projection d'étincelles.

AVERTISSEMENT

Risque d'incendie

Le fonctionnement simultané de plusieurs feux gaz engendre une forte production de chaleur. Le cas échéant, l'appareil de ventilation peut être endommagé ou s'enflammer. L'appareil de ventilation doit uniquement être combiné avec des feux gaz dont la puissance totale maximale ne dépasse pas 61,000 BTU/hr (18 kW). Si la puissance maximale dépasse 41,000 BTU/hr (12 kW), les prescriptions locales en matière de ventilation, de volume de la pièce et de combinaison avec des appareils de ventilation en mode aspiration ou ventilation doivent être observées.

AVERTISSEMENT

Pour réduire le risque de feu et pour évacuer correctement l'air, évacuez l'air vers l'extérieur. N'évacuez pas l'air dans les murs, les plafonds, les greniers, les vides sanitaires ou les garages.

AVERTISSEMENT

Pour réduire les risques de feu, utiliser uniquement des gaines en métal.



CONSIGNES DE SÉCURITÉ IMPORTANTES

LIRE ET CONSERVER CES INSTRUCTIONS

AVERTISSEMENT

Lorsque la hotte aspirante est utilisée en mode d'évacuation d'air simultanément avec un brûleur différent utilisant également la même cheminée, (tels des appareils de chauffage au gaz, à l'huile ou au charbon, des chauffe-eau instantanés ou des chaudières à eau chaude), veillez à ce que l'apport d'air frais soit suffisant pour assurer la combustion adéquate du brûleur.

Un fonctionnement sans risque est possible si la sous-pression dans la pièce où le brûleur est installé ne dépasse pas 4 Pa (0,04 mbar).

On peut y parvenir en acheminant l'air requis pour la combustion à travers des ouvertures non verrouillables, par exemple dans les portes et fenêtres, et en association avec des boîtiers muraux d'admission/d'évacuation d'air fixées au mur ou grâce à d'autres mesures techniques telles qu'un verrouillage réciproque, etc.

AVERTISSEMENT

Évitez l'intoxication au monoxyde de carbone. – Prévoyez une admission d'air adéquate pour empêcher l'aspiration des gaz de combustion dans la pièce. Un boîtier mural air d'admission/air d'échappement ne peut garantir que la valeur limite ne sera pas dépassée.

Remarque : Lorsque vous évaluez les exigences globales, vous devez tenir compte du système combiné d'aération de la maison au complet. Cette règle ne s'applique pas aux appareils de cuisson, comme les surfaces de cuisson et les fours.

ATTENTION

Appareil conçu exclusivement pour la ventilation générale. Ne pas utiliser pour évacuer des matières et vapeurs dangereuses ou explosives.

Sécurité de manutention des appareils

Cet appareil est lourd et il faut au moins deux personnes ou l'équipement approprié pour le déplacer.

Certaines surfaces peuvent avoir des bords tranchants. Faire attention en étendant le bras derrière l'appareil ou en dessous.

AVERTISSEMENT

Risque de blessure

Si l'appareil n'est pas correctement fixé au mur, il risque de tomber. Tous les éléments de fixation doivent être montés solidement et de façon sûre.

AVERTISSEMENT

Risque de basculement

L'appareil est très étroit et peut basculer facilement. Ne pas poser l'appareil à la verticale sur le sol. Poser l'appareil à plat sur le sol.

Codes et normes de sécurité

Cet appareil est conforme aux plus récentes versions de l'une ou plus des normes suivantes :

- UL 507 - Ventilateurs électrique (Electric Fans)
- CAN/CSA C22.2 No. 113 - Ventilateurs et soufflantes (Fans and Ventilators)

Il incombe à l'installateur de déterminer si des exigences et/ou normes additionnelles s'appliquent pour des installations spécifiques.

Sécurité électrique

AVERTISSEMENT

INSTRUCTIONS DE MISE À LA TERRE

Cet appareil doit être mis à la terre. En cas de court-circuit électrique, la mise à la terre réduira le risque de choc électrique en offrant au courant électrique un fil d'évacuation.

Cet appareil est muni d'un cordon électrique comportant un conducteur de terre et une prise de mise à la terre. La fiche doit être branchée dans une prise qui a été installée et mise à la terre de façon appropriée.

AVERTISSEMENT

Une mise à la terre inadéquate peut entraîner un risque de choc électrique. Consultez un électricien qualifié si vous ne comprenez pas parfaitement les instructions de mise à la terre ou si vous avez des doutes quant à la qualité de la mise à la terre. N'utilisez pas de rallonge. Si le cordon d'alimentation est trop court, demandez à un électricien d'installer une prise à proximité de l'appareil. .

CONSIGNES DE SÉCURITÉ IMPORTANTES

LIRE ET CONSERVER CES INSTRUCTIONS

AVERTISSEMENT

Avant tout raccordement de cordon électrique ou toute mise sous tension, assurez-vous que toutes les commandes sont en position OFF (d'arrêt).

Pour les appareils dotés d'un cordon et d'une fiche, ne pas couper ou enlever la broche de mise à la terre. Le cordon doit être branché dans une prise de courant adaptée de type mise à la terre pour éviter tout risque d'électrocution. S'il y a un doute en ce qui concerne la mise à la terre de la prise murale, le client devra s'adresser à un électricien qualifié.

S'il y a lieu, conformément au Code national de l'électricité (ou au Code canadien de l'électricité), cet appareil doit être installé sur un circuit de dérivation séparé.

AVERTISSEMENT

Pour réduire le risque de feu ou de choc électrique, ne pas utiliser cet aérateur avec un variateur de vitesse à semi-conducteur.

Installateur – Indiquer au propriétaire l'emplacement du disjoncteur ou du fusible. Identifier sa position pour pouvoir le retrouver facilement.

Avant l'installation, mettre l'appareil hors service au panneau de service. Verrouiller le panneau d'entrée d'électricité pour éviter que le courant ne soit accidentellement rétabli.

AVERTISSEMENT

AFIN DE RÉDUIRE LES RISQUES D'INCENDIE, DE CHOC ÉLECTRIQUE OU DE BLESSURES CORPORELLES, VEUILLEZ SUIVRE LES INSTRUCTIONS SUIVANTES :

- Utilisez cet appareil seulement de manière conforme à l'usage prévu par le fabricant. Si vous avez des questions, contactez le fabricant.
 - Avant le nettoyage ou l'entretien de l'appareil, mettez-le hors tension sur le tableau électrique et verrouillez les dispositifs de sectionnement afin d'empêcher toute remise sous tension accidentelle. S'il est impossible de verrouiller les dispositifs de sectionnement, fixez de manière sûre au tableau électrique un dispositif d'alerte bien visible, par exemple une étiquette.
-

S'assurer que l'appareil est installé et mis à la terre par un technicien qualifié. L'installation, les connexions électriques et la mise à la terre doivent être conformes à tous les codes applicables.

AVERTISSEMENT

Risque de choc électrique

Les pièces se trouvant dans l'appareil peuvent présenter des arêtes vives. Le cordon de branchement peut être endommagé. Ne pas couder ni coincer le cordon de branchement pendant la pose.

Équipement de sécurité

Enlever le ruban adhésif et l'emballage avant d'utiliser l'appareil. Détruire l'emballage après avoir déballé l'appareil. Ne jamais laisser les enfants jouer avec les matériaux de conditionnement.

L'utilisation sécuritaire n'est garantie que si l'installation de la table de cuisson se fait par un installateur ou technicien agréé conformément à ces instructions. L'installateur est responsable de tout dommage résultant d'une installation incorrecte.

Ne jamais modifier ni altérer la configuration de l'appareil. Par exemple, ne pas retirer les pieds de nivellement, les panneaux, les couvercles de câblage ou les fixations/vis antibasculement.

Avertissements de la Proposition 65 de l'État de la Californie

AVERTISSEMENT

Ce produit contient des produits chimiques connus de l'État de la Californie pour causer le cancer, des anomalies congénitales ou d'autres problèmes de reproduction.

Mode évacuation

Remarque : Il ne faut pas rejeter l'air usé dans une cheminée d'évacuation en service, ni dans un conduit servant à la ventilation de pièces où sont installés des foyers.

- Pour rejeter l'air dans un conduit de fumées qui n'est pas en service, il faut demander l'accord du maître ramoneur compétent.
- Si l'air est évacué à travers le mur extérieur de l'habitation, il faut utiliser un caisson mural télescopique.

Conduit d'évacuation

Remarque : Le fabricant de l'appareil décline toute garantie en cas de réclamation imputable à des problèmes liés au parcours des conduits.

- L'appareil atteindra un rendement supérieur si le conduit d'évacuation est court et droit et que son diamètre est grand.
- Si les conduits d'évacuation sont longs, présentent de nombreux coudes ou ont un diamètre inférieur à 6" (150 mm), la puissance maximale d'aspiration ne sera pas atteinte et le ventilateur fera plus de bruit.
- Les tuyaux rigides ou souples constituant le conduit d'évacuation doivent être fabriqués dans un matériau ininflammable.
- Pour raccorder des tuyaux de diamètres différents, utiliser du ruban d'étanchéité.

Branchement électrique

AVERTISSEMENT

Risque de choc électrique

Les pièces se trouvant dans l'appareil peuvent présenter des arêtes vives. Le cordon de branchement peut être endommagé. Ne pas couder ni coincer le cordon de branchement pendant la pose.

Avant de procéder au branchement électrique, vérifier l'installation du logement. S'assurer que l'installation électrique du logement est suffisamment protégée. La tension et la fréquence de l'appareil doivent correspondre à celles de l'installation électrique (voir la plaquette d'identification).

L'appareil est de la classe de protection I et doit obligatoirement être raccordé à une prise avec terre.

Il faut prévoir dans l'installation un disjoncteur multipolaire ayant une distance d'ouverture des contacts d'au moins 3 mm ($\frac{1}{8}$ ") et restant accessible après la pose.

Seul un électricien qualifié est habilité à poser ou à remplacer le cordon d'alimentation électrique, dans le respect des règles et normes en vigueur.

Si le cordon d'alimentation électrique de cet appareil est endommagé, il faut le remplacer par un cordon spécial disponible auprès du fabricant ou de son service après-vente.

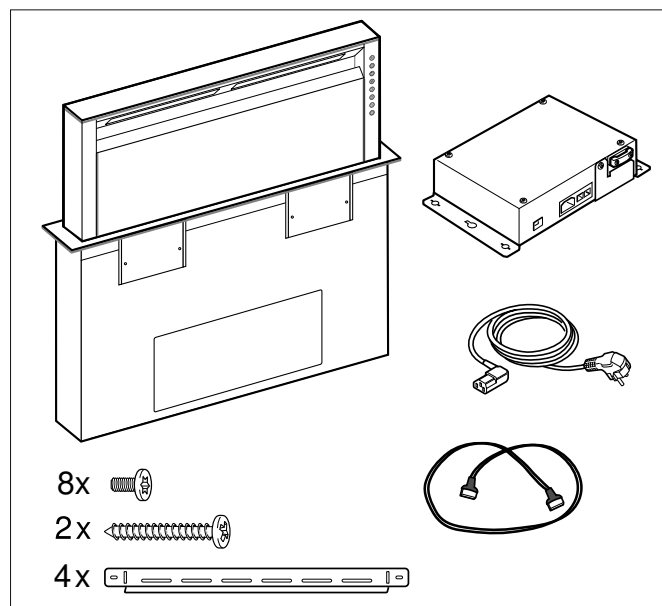
Avant de commencer

Outils et pièces nécessaires

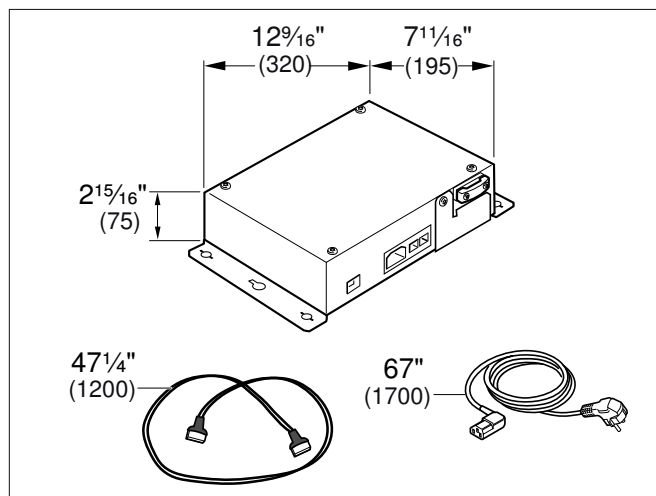
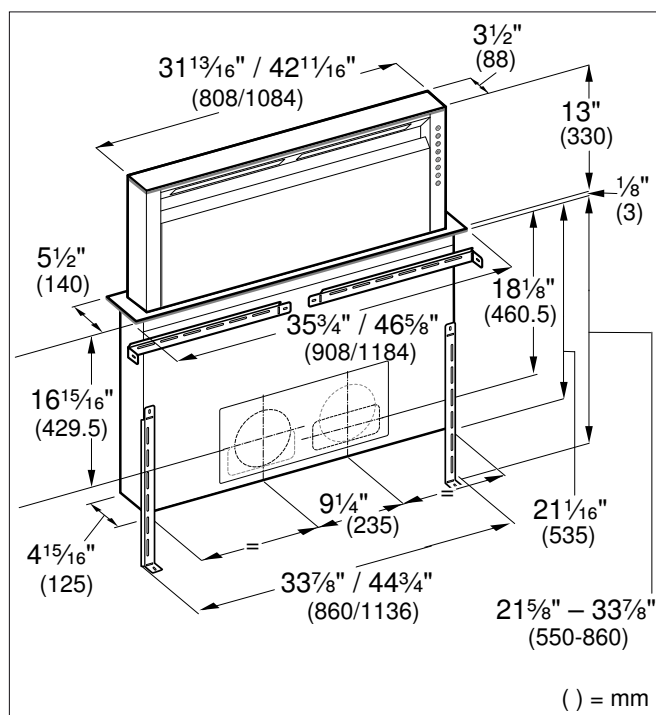
- Tournevis à empreinte Torx T20
- Crayon
- Perceuse avec mèche 1/4" po (6 mm)
- Scie sauteuse
- Ruban à mesurer

Remarque : Des matériaux supplémentaires peuvent être nécessaires pour installer les plans de travail à surface solide. Contacter le fabricant du plan de travail.

Pièces comprises



Cotes de l'appareil



Accessoires d'installation

- | | |
|------------|--|
| AA 010 410 | Grille de sortie d'air recyclé 90 mm |
| AD 754 045 | Raccords pour tuyau en aluminium
2 x VN 150 mm rond |

Préparation des meubles

Le meuble où la table de cuisson est encastrée doit résister à la chaleur jusqu'à une température de 200° F (90° C). La stabilité du meuble doit rester garantie après les opérations de découpe.

Réaliser la découpe dans le plan de travail pour un ou plusieurs appareils Vario, conformément au schéma de pose. Le plan de coupe doit faire un angle de 90° avec le plan de travail.

Les bords de coupe latéraux doivent être plans afin de garantir la fixation des ressorts de maintien sur l'appareil. Dans le cas de plans de travail multicouches, fixer éventuellement des baguettes sur les côtés de la découpe.

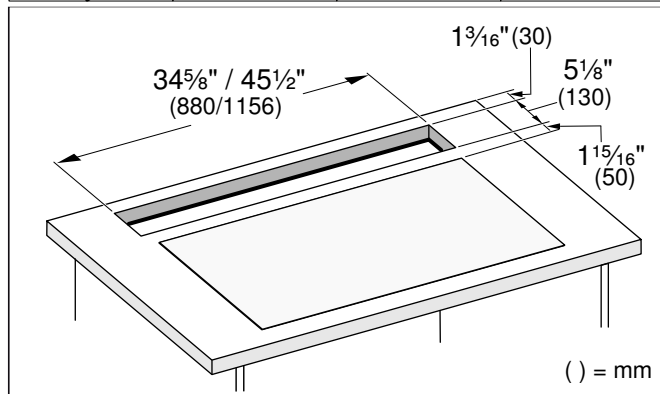
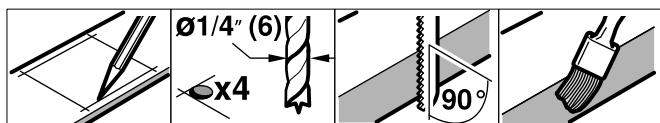
Après les opérations de découpe, éliminer les copeaux. Sceller les plans de coupe de façon qu'ils résistent à la chaleur et soient étanches à l'eau.

Respecter une distance minimale de 3/8" (10 mm) entre le dessous de l'appareil et les éléments du meuble.

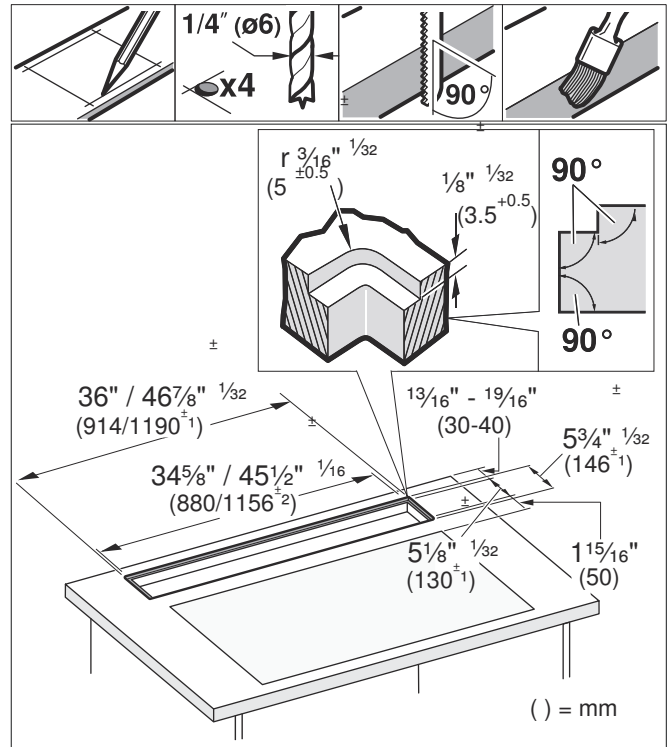
En particulier si le plan de travail est peu épais, assurer sa capacité de résistance et sa stabilité en le renforçant au moyen de structures adaptées. Tenir compte du poids des appareils, sans oublier leur contenu et leurs accessoires. Le matériau utilisé pour le renforcement doit résister à la chaleur et à l'humidité.

Remarque : Vérifier l'aplomb de l'appareil seulement après l'avoir installé dans la découpe.

Découper le plan de travail



Pose en affleurement: L'appareil peut être posé en affleurement dans un plan de travail.



Pose en affleurement: L'appareil peut être encastré dans des plans de travail résistant à la chaleur et à l'eau, fabriqués dans les matériaux suivants :

- pierre
- matière plastique ou Corian®
- bois massif : seulement avec l'accord avec le fabricant du plan de travail (sceller les bords de coupe)
- La pose dans d'autres types de plan de travail : seulement avec l'accord avec le fabricant du plan de travail.

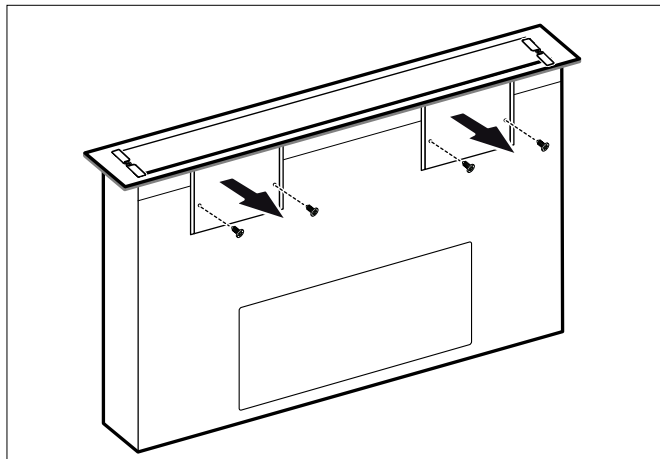
La pose dans de plan de travail de panneaux de particules n'est pas autorisée.

Remarque : Toutes les découpes du plan de travail doivent être faits dans un atelier spécialisé, conformément au schéma de pose. La découpe doit être nette et précise, car le bord de coupe est visible en surface. Nettoyer et dégraisser les bords de coupe avec un produit de nettoyage adéquat (respecter les instructions d'application du fabricant du silicone).

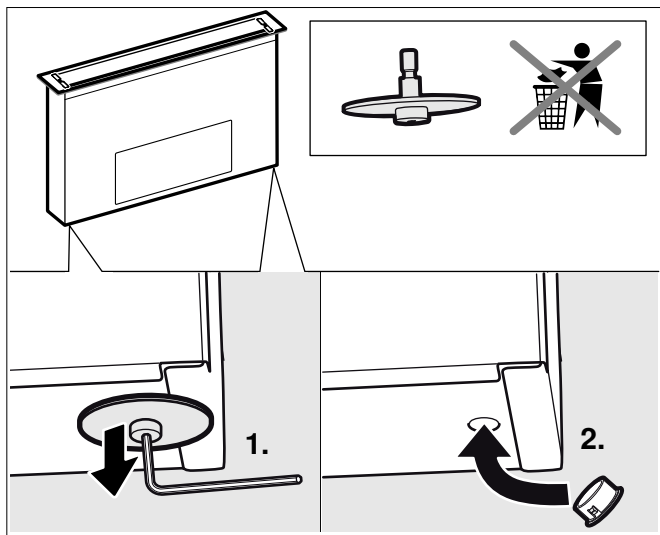
Procédure d'installation

- 1 Avant d'introduire l'appareil dans la découpe du plan de travail, enlever les sécurités de transport suivantes :

- 2 tôles sur le devant de l'appareil



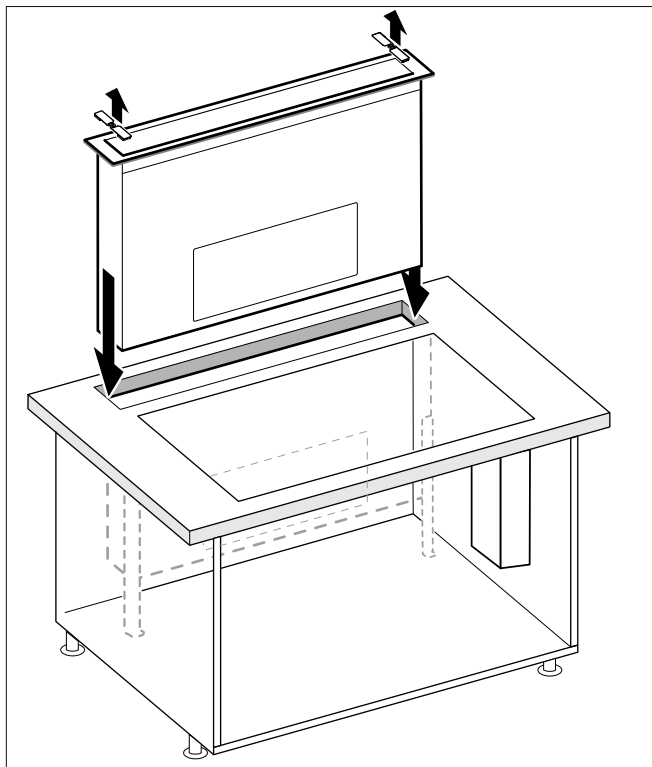
- 2 vis de fixation sur le dessous de l'appareil
Obturer les perçages sur le dessous de l'appareil par le capuchon.



Remarque : Ranger les sécurités de transport.
Remonter les sécurités de transport avant de transporter l'appareil (par ex. déménagement).

- 2 Insérer l'appareil du haut vers le bas dans la découpe du plan de travail.

Remarque : Veiller à ce que la bande d'étanchéité reste en place sur le bas du couvercle.



- 3 **Uniquement en cas de montage encastré :** avant de poser les joints, effectuer impérativement un test fonctionnel! Comblers l'interstice périphérique à l'aide d'une colle au silicone résistante à la température (par ex. Novasil^{MD}, Pactan^{MD}). Lisser le joint à l'aide d'un agent lissant recommandé par le fabricant. Respecter les directives du fabricant de la colle au silicone. Mettre l'appareil en service uniquement lorsque la colle au silicone est entièrement sèche (au moins 24 heures, selon la température ambiante).

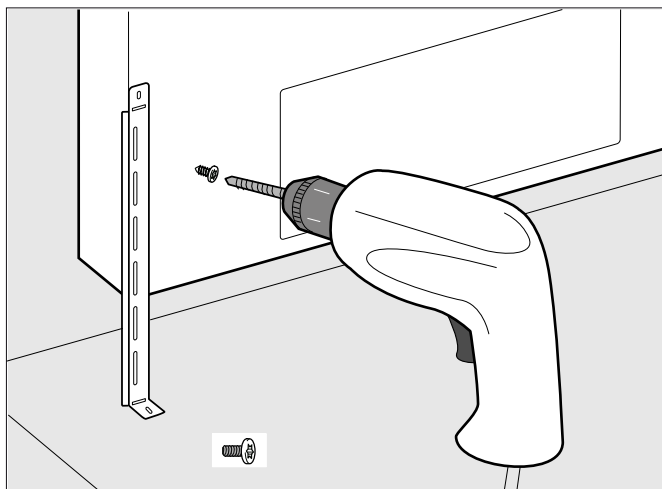
AVIS : L'utilisation d'une colle au silicone non adaptée peut entraîner une décoloration indélébile des plans de travail en pierre naturelle.

- 4 Installer l'appareil de manière symétrique dans la découpe. Appuyer fermement du haut vers le bas dans la découpe.

Remarques

- L'appareil doit être solidement fixé dans la découpe et ne doit pas bouger (par ex. lors du nettoyage). Si la largeur de découpe est supérieure à la limite de tolérance acceptable, fixer des baguettes latérales dans la découpe.
- Retirer les pièces en matière plastique à gauche et à droite du couvercle.

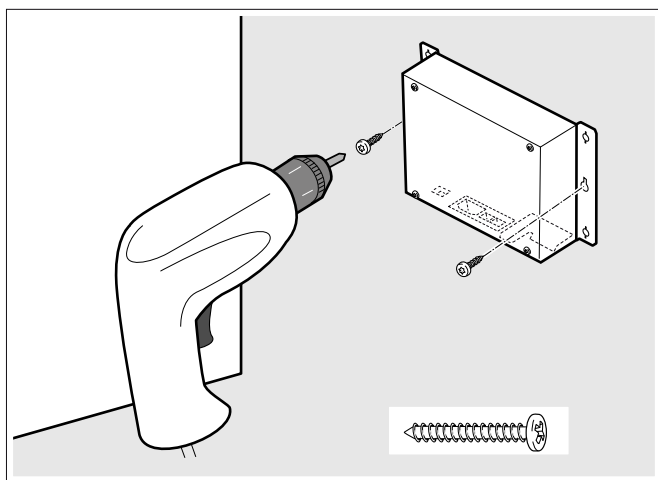
- 5 Aligner l'appareil dans le meuble. Veiller à ce que le couvercle de l'appareil repose à plat sur le plan de travail. Plier l'extrémité inférieure de l'équerre de montage à 90° sur la perforation. Visser fermement l'équerre de montage sur l'appareil et sur le fond du meuble avec les vis taraudeuses fournies.



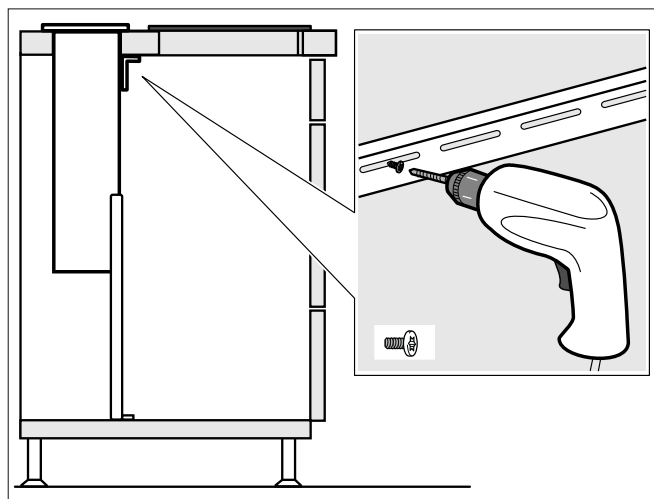
- 6 Fixer l'unité de commande sur la paroi latérale du meuble d'encastrement.

⚠ ATTENTION

Une infiltration d'humidité risque de provoquer une décharge électrique. Ne pas fixer l'unité de commande sur le fond du meuble d'encastrement.



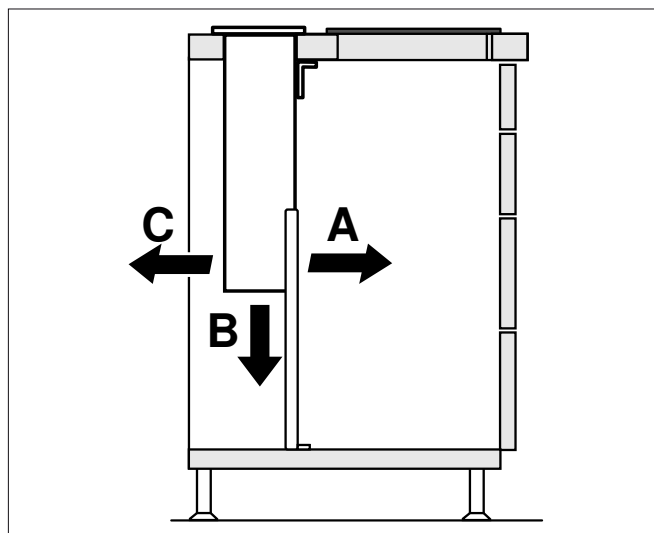
- 7 Fixer les supports du meuble. Des trous permettant de fixer les supports sont déjà prévus sur l'appareil. Visser fermement les supports du meuble sur l'appareil et sur le plan de travail à l'aide des vis taraudeuses fournies.



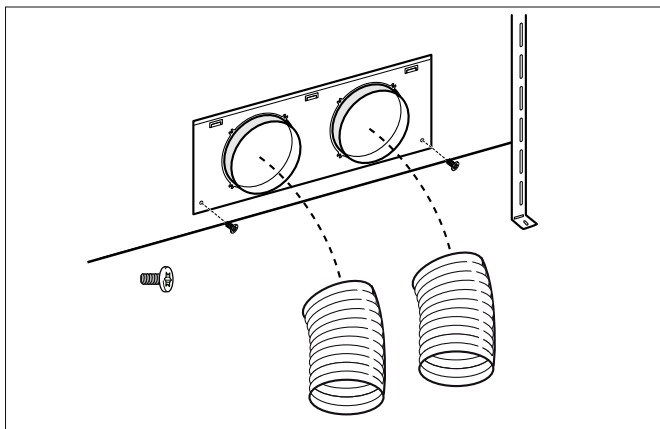
- 8 Selon la situation de montage, l'évacuation de l'air vicié peut s'effectuer vers trois directions différentes (A, B et C).

Remarques

- Selon la situation de montage, différentes pièces de connexion sont nécessaires.
- Respecter également la notice du moteur séparé pour l'évacuation de l'air vicié.



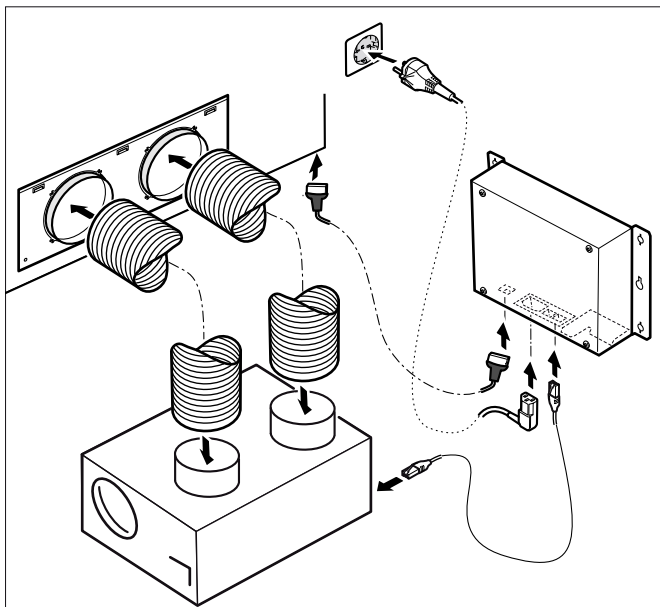
- 9 Fixer la pièce de connexion sur l'appareil. Fixer le conduit d'évacuation à la pièce de connexion et étancher de manière appropriée. Liaison avec un tuyau rond.



Remarque : En cas d'utilisation d'un tuyau en aluminium, lisser au préalable la zone de raccordement.

- 10 Brancher les câbles de raccordement : Connecter fermement les câbles de l'unité de commande vers l'appareil et vers le moteur séparé. Les fiches doivent s'encliquer. Connecter l'unité de commande et le moteur séparé au secteur et vérifier le fonctionnement. Si l'appareil ne fonctionne pas : vérifier la fixation correcte des câbles de raccordement!

Remarque : Les prises de raccordement X1 et X2 sont identiques.



Sortie de commutation supplémentaire

⚠ AVERTISSEMENT

Les travaux sur la sortie de commutation supplémentaire doivent uniquement être effectués par un électricien qualifié, en respectant les règlements et normes spécifiques au pays.

L'appareil possède une sortie de commutation supplémentaire X16 (contact sans potentiel) pour le raccordement d'autres appareils, tels qu'une installation de ventilation existante côté site. Le contact est fermé lorsque le ventilateur est en marche et est ouvert lorsque le ventilateur est éteint.

La sortie de commutation se situe sous un couvercle. Puissance de commutation maximale 30 V/1 A (CA/CC). Le signal qui est raccordé au contact doit correspondre à la classe de protection 3.

Raccord pour le contacteur de fenêtre AA 400 510

Les travaux sur le raccord pour le contacteur de fenêtre doivent uniquement être effectués par un électricien qualifié, en respectant les règlements et normes spécifiques au pays.

L'appareil possède un raccord X17 pour un contacteur de fenêtre. Le contacteur de fenêtre convient au montage encastré ou au montage en saillie. Le contacteur de fenêtre AA 400 510 est disponible séparément en tant qu'accessoire. Respectez les instructions de montage fournies avec le contacteur de fenêtre.

Lorsque le contacteur de fenêtre est raccordé, la ventilation de la hotte aspirante fonctionne uniquement avec la fenêtre ouverte. L'éclairage fonctionne même si la fenêtre est fermée.

Si vous activez la ventilation avec la fenêtre fermée, la touche de la vitesse du ventilateur sélectionnée clignote et la ventilation reste éteinte.

Si vous fermez la fenêtre alors que la ventilation est allumée, l'appareil coupe la ventilation en l'espace de 5 secondes. La touche de la vitesse du ventilateur sélectionnée clignote.

L'ensemble du circuit de ventilation associé à un contacteur de fenêtre doit être évalué par un ramoneur en chef.

Utilisation en réseau

Plusieurs appareils peuvent être interconnectés. La lumière et la ventilation de tous les appareils fonctionnent de manière synchrone.

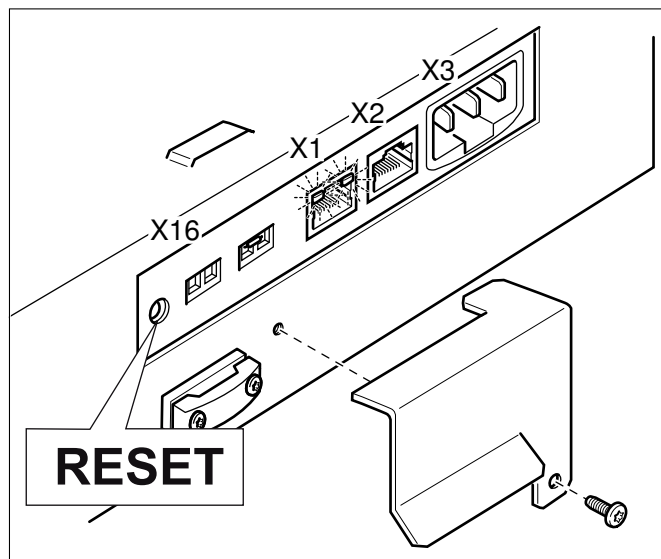
Relier les appareils en série via les prises de raccordement X1 et X2 (équivalentes). L'ordre de l'interconnexion n'a pas d'influence. Si les câbles réseau fournis sont trop courts, utiliser un câble réseau usuel commercial (au moins Cat5, blindé).

Nombre max. de participants : 20 appareils. Longueur totale de tous les câbles réseau : 40 m. La fonction de l'installation doit être vérifiée par un technicien qualifié lors de l'installation initiale.

La panne d'un participant (coupure de tension, séparation du câble réseau) conduit au blocage de la fonction de ventilation de l'ensemble du système. Toutes les touches sur l'appareil clignotent.

En cas de modification de la configuration, l'installation doit être réinitialisée :

- 1 Dévisser la tôle de protection.
- 2 Appuyer sur la touche Réinitialiser (Reset) jusqu'à ce que les deux DEL soient allumées en continu (env. 5 secondes). Relâcher ensuite la touche dans les 5 secondes.
- 3 Visser la tôle de protection.
- 4 Faire vérifier le fonctionnement de l'installation par un technicien qualifié après l'initialisation.



Brancher l'alimentation électrique

⚠ AVERTISSEMENT

Risque de choc électrique

Les pièces se trouvant dans l'appareil peuvent présenter des arêtes vives. Le cordon de branchement peut être endommagé. Ne pas couder ni coincer le cordon de branchement pendant la pose.

Consulter la plaque signalétique pour en savoir plus. Pour savoir où se trouve la plaque signalétique, se reporter à la rubrique "Service après-vente".

Le courant admissible des disjoncteurs divisionnaires, la taille des câbles et les connexions doivent être conformes aux exigences du Code électrique national ou du Code électrique canadien ainsi qu'à tous les codes et règlements locaux.

Ce appareil est relié avec une fiche

- La fiche doit être conforme aux normes NEMA pour fiches et prises de courant.
- L'appareil doit être correctement mis à la terre.
- La fiche d'alimentation doit être au minimum du type 6-20 P (2 broches, 3 fils avec terre).
- Le branchement de la fiche doit être fait exclusivement par un électricien qualifié.
- Poser une prise de courant avec terre conformément à la réglementation, à environ 27" (700 mm) au-dessus du sol derrière l'appareil. La prise de courant doit rester accessible après la pose de l'appareil.

Dépose de l'appareil

Mettre l'appareil hors tension. Si les appareils sont posés en affleurement, enlever le joint en silicone. Faire sortir l'appareil en le soulevant par-dessus.

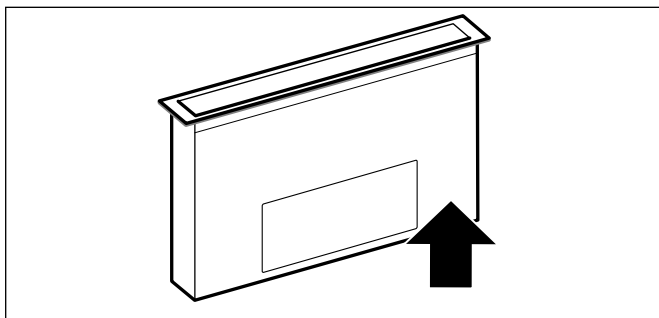
⚠ ATTENTION

Risque de détérioration ! Ne pas extraire l'appareil par le haut en faisant levier sur le cadre.

Service après-vente

Si votre appareil doit être réparé, notre service après-vente est à votre disposition. Nous trouvons toujours une solution adaptée, y compris pour éviter les visites inutiles de techniciens.

Lors de votre appel, indiquez le numéro du produit (n° E) et le numéro de série (n° FD) afin que nous puissions vous donner une réponse précise. Vous trouverez la plaquette d'identification comportant ces numéros en bas sur le devant de l'appareil. Pour cela, ouvrez la porte du meuble dans lequel l'appareil est encastré.



Pour ne pas avoir à chercher longtemps en cas de besoin, vous pouvez inscrire ici les références de l'appareil et le numéro de téléphone du service après-vente.

N° E

N° FD

Service après-vente ☎

N'oubliez pas qu'en cas de fausse manœuvre, la visite d'un technicien d'après-vente n'est pas gratuite, même pendant la garantie.

Vous trouverez les données de contact pour tous les pays dans l'annuaire ci-joint du service après-vente.

Demande de réparation et conseils en cas de dysfonctionnement

CA 877 442 4436

toll-free

Faites confiance à la compétence du fabricant. Ainsi vous êtes assurés que la réparation sera effectuée par des techniciens formés qui possèdent les pièces de rechange d'origine pour votre appareil.

Definiciones de seguridad

ADVERTENCIA

Esto indica que pueden producirse heridas graves o incluso la muerte si no se cumple con esta advertencia.

ATENCION

Esto indica que pueden producirse heridas leves o moderadas si no se cumple con esta advertencia.

AVISO: Esto indica que pueden producirse daños en el aparato o en los bienes si no se cumple con este aviso.

Nota: Esto alerta sobre información o sugerencias importantes.

INSTRUCCIONES DE SEGURIDAD IMPORTANTES

LEA Y CONSERVE ESTAS INSTRUCCIONES

INSTALADOR: DEJE ESTAS INSTRUCCIONES CON EL ELECTRODOMÉSTICO CUANDO HAYA FINALIZADO LA INSTALACIÓN.

IMPORTANTE: CONSERVE ESTAS INSTRUCCIONES PARA USO DEL INSPECTOR DE ELECTRICIDAD LOCAL.

ADVERTENCIA

Si no sigue la información de este manual exactamente, se puede ocasionar un incendio o una descarga eléctrica que puede causar daños materiales o lesiones personales.

ADVERTENCIA

No reparar, sustituir ni quitar ninguna pieza del electrodoméstico a menos que se recomiende de forma específica en los manuales. Una instalación, servicio o mantenimiento inadecuados pueden causar lesiones o daños materiales. Consultar este manual para recibir ayuda. Todos los demás servicios debe realizarlos un agente autorizado.

ADVERTENCIA

ADVERTENCIA – PARA REDUCIR EL RIESGO DE INCENDIO, CHOQUE ELÉCTRICO O LESIONES A LAS PERSONAS, OBSERVE LAS SIGUIENTES RECOMENDACIONES:

- El trabajo de instalación y el cableado eléctrico deben realizarse por personal calificado conforme a todos los códigos y estándares aplicables, incluyendo construcción contra incendios.
 - Se requiere suficiente aire para la combustión y escape adecuado de gases por el conducto (chimenea) del equipo que quema combustible para evitar la contracorriente. Siga la directriz y las normas de seguridad del fabricante de equipos de calefacción, como las publicadas por La Asociación Nacional para la Protección contra Incendios (NFPA, por sus siglas en inglés) y la Sociedad Americana de Ingenieros en Calefacción, Refrigeración y Aire Acondicionado (ASHRAE, por sus siglas en inglés) y las autoridades locales correspondientes.
 - Al cortar o perforar la pared o el techo, no dañe el cableado eléctrico u otras instalaciones ocultas.
 - Los ventiladores entubados siempre deben ser ventilados hacia el exterior.
-

ADVERTENCIA

Al instalar la campana, deben cumplirse las reglamentaciones aplicables de las compañías de suministro de energía y las reglamentaciones regionales de construcción.

ADVERTENCIA

Peligro de incendio

Los depósitos de grasa en el filtro de grasa se pueden incendiar. Nunca trabaje con flama abierta cerca del equipo (por ejemplo con platillos flameados). Solamente instale el equipo cerca de un fogón para sustancias sólidas (p. ej. madera o carbón) si está disponible una cubierta cerrada que no se pueda quitar. No deben volar las chispas.



INSTRUCCIONES DE SEGURIDAD IMPORTANTES

LEA Y CONSERVE ESTAS INSTRUCCIONES

ADVERTENCIA

Riesgo de incendio

Cuando se usan simultáneamente varios quemadores de gas se genera mucho calor. El aparato de ventilación puede dañarse o incendiarse. El aparato de ventilación solo puede combinarse con quemadores de gas que no superen una potencia total máxima de 61,000 BTU/hr (18 kW). Al exceder la potencia total de 41,000 BTU/hr (12 kW) se deben observar los reglamentos locales respecto a la ventilación del área, tamaño del área y combinación con aparatos de ventilación en el modo de aire de extracción o aire de circulación.

ADVERTENCIA

Para reducir el riesgo de incendio y para hacer que el aire salga al exterior correctamente, asegúrese de que haya un conducto que lo dirija hacia afuera. No dirija el aire de salida hacia lugares cerrados, espacios dentro de paredes, techos, áticos, huecos sanitarios o garajes.

ADVERTENCIA

A fin de reducir el riesgo de incendio, utilizar únicamente conducciones de metal.

ADVERTENCIA

Cuando se utiliza la campana en modo de aire de escape simultáneamente con un quemador diferente que también usa la misma chimenea (como calentadores a gas, aceite o carbón, calentadores de flujo continuo, calentadores de agua) se debe asegurar que haya un suministro de aire fresco suficiente para las necesidades de combustión del quemador.

La operación segura es posible siempre que la subpresión de la habitación donde está instalado el quemador no supere los 4 Pa (0.04 mbar).

Esto es posible si el aire de combustión puede circular a través de aberturas que no puedan trabarse, como ser en puertas y ventanas, y a través de cajas de entrada/salida de aire en la pared, o mediante otras medidas técnicas, como enclavamiento recíproco, etc.

ADVERTENCIA

Evite la intoxicación por monóxido de carbono: proporcione una entrada de aire suficiente para que los gases de la combustión no vuelvan a ingresar en la habitación.

Una caja de entrada/salida de aire en la pared por sí sola no garantiza que no se superará el valor límite.

Nota: Al evaluar el requisito total, se debe tener en cuenta el sistema de ventilación combinado para todo el hogar. Esta norma no se aplica al uso de aparatos de cocina, como parrillas y hornos.

ATENCIÓN

Solo para la ventilación general. No utilizar para la extracción de sustancias y vapores peligrosos o explosivos.

Seguridad de manejo del electrodoméstico

La unidad es pesada y se requieren al menos dos personas o un equipo adecuado para trasladarla.

Las superficies ocultas pueden tener bordes filosos. Proceda con cuidado al intentar tomar el electrodoméstico por la parte trasera o desde abajo.

ADVERTENCIA

Riesgo de lesiones

Si el aparato no está fijado correctamente a la pared, puede caerse. Todos los elementos de fijación deben montarse debidamente.

ADVERTENCIA

Riesgo de vuelco

El aparato es demasiado angosto y puede volcarse fácilmente. No colocar el aparato verticalmente sobre el piso. Colocar el aparato plano sobre el piso.

INSTRUCCIONES DE SEGURIDAD IMPORTANTES

LEA Y CONSERVE ESTAS INSTRUCCIONES

Códigos y normas de seguridad

Este electrodoméstico cumple con la última versión de una o varias de las siguientes normas:

- UL 507 - Ventiladores eléctricos (Electric Fans)
- CAN/CSA C22.2 No. 113 - Ventiladores (Fans and Ventilators)

Es responsabilidad del instalador determinar si se aplican otros requisitos y/o normas en instalaciones específicas.

Seguridad eléctrica

ADVERTENCIA

INSTRUCCIONES PARA LA CONEXIÓN A TIERRA

Este aparato debe estar conectado a tierra. En caso de un cortocircuito eléctrico, la conexión a tierra reduce el riesgo de descarga eléctrica proporcionando un cable de escape para la corriente eléctrica.

Este aparato viene equipado con un cable con un enchufe de conexión a tierra. El enchufe debe colocarse en una toma de corriente adecuada que esté correctamente instalada y conectada a tierra.

ADVERTENCIA

La incorrecta conexión a tierra puede causar una descarga eléctrica. Consulte a un electricista calificado si no comprende la totalidad de las instrucciones de conexión a tierra o si tiene alguna duda respecto de si el aparato está correctamente conectado a tierra. No use un cable de extensión. Si el cable de alimentación eléctrica es demasiado corto, solicite a un electricista calificado que instale una toma de corriente cerca del aparato.

ADVERTENCIA

Antes de enchufar un cable eléctrico o activar el suministro eléctrico, asegúrese de que todos los controles están en la posición OFF.

Para los electrodomésticos equipados con cable y enchufe, no corte ni retire la espiga de conexión a tierra. Debe enchufarse en un receptáculo de conexión a tierra compatible para evitar descargas eléctricas. Si

tiene alguna duda respecto de si el receptáculo de pared está correctamente conectado a tierra, el cliente debe solicitar la verificación de un electricista calificado.

Si el Código Nacional Eléctrico (o el Código Eléctrico Canadiense) así lo requiere, este electrodoméstico debe instalarse en un circuito derivado por separado.

ADVERTENCIA

Para reducir el riesgo de choque eléctrico, no use este ventilador con ningún dispositivo de control de velocidad de estado sólido.

El instalador debe mostrar al propietario la ubicación del disyuntor o el fusible. Márquela para recordarla más fácilmente.

Antes de realizar la instalación, apague la alimentación eléctrica en el panel de servicio. Trabe el panel de servicio para impedir que se encienda accidentalmente la alimentación eléctrica.

ADVERTENCIA

PARA REDUCIR EL RIESGO DE INCENDIO, CHOQUE ELÉCTRICO O LESIONES A LAS PERSONAS, OBSERVE LAS SIGUIENTES RECOMENDACIONES:

- Utilice esta unidad sólo de la manera indicada por el fabricante. Si tiene preguntas, póngase en contacto con el fabricante.
- Antes de reparar o limpiar la unidad, desconecte el suministro eléctrico en el panel de servicio y bloquee el servicio desconectando las conexiones para evitar que se encienda accidentalmente. Cuando no pueda bloquearse la desconexión del servicio, coloque un aviso prominente de advertencia, como un letrero, en el panel de servicio.

Asegúrese de que el electrodoméstico sea correctamente instalado y conectado a tierra por un técnico calificado. La instalación, las conexiones eléctricas y la conexión a tierra deben cumplir con todos los códigos correspondientes.

ADVERTENCIA

Peligro de descarga eléctrica

Los componentes dentro del equipo pueden tener bordes filosos. Puede dañarse el cable de conexión. No retorcer ni constreñir el cable durante la instalación.



INSTRUCCIONES DE SEGURIDAD IMPORTANTES

LEA Y CONSERVE ESTAS INSTRUCCIONES

Seguridad del equipo relacionado

Retire toda la cinta y el embalaje antes de usar el electrodoméstico. Destruya el embalaje después de desembalar el electrodoméstico. Nunca deje que los niños jueguen con el material de embalaje.

Se garantiza la seguridad de uso de la placa solamente si es instalada por un instalador o agente autorizado de acuerdo con estas instrucciones de instalación. El instalador es responsable de cualquier daño que se produzca debido a la instalación incorrecta.

Nunca modifique ni altere la construcción del electrodoméstico. Por ejemplo, no retire las patas niveladoras, paneles, cubiertas para cables ni soportes/tornillos antivuelco.

Advertencias en virtud de la Proposición 65 del estado de California

ADVERTENCIA

Este producto contiene una o más sustancias químicas que el estado de California sabe que provocan cáncer, defectos congénitos, u otro daño reproductivo.

Información general

Funcionamiento con extracción de aire

Nota: La emisión de los gases no se debe canalizar hacia una chimenea de humo o de gases de escape que esté en funcionamiento, ni hacia un tiro que sirva para sacar el aire de las habitaciones donde haya equipos con fuego.

- Si los gases de escape se van a canalizar hacia una chimenea de humo o de gases de escape que no esté en funcionamiento, se tiene que conseguir la aprobación del especialista en chimeneas correspondiente.
- Si las emisiones de gases se canalizan a través del muro externo, se tiene que utilizar una caja telescópica para muros.

Conducto de escape

Nota: La garantía del fabricante del aparato no cubre las reclamaciones que se atribuyan al segmento de conductos.

- El aparato alcanza su potencia óptima con un conducto de salida de aire rectilíneo y corto, que tenga un diámetro lo más grande posible.
- Mediante conductos de salida de aire largos y rugosos, con muchos codos o con un diámetro inferior a 6" (150 mm), no se consigue la capacidad de aspiración óptima y los ruidos del ventilador serán mayores.
- Los tubos o las mangueras para el tendido del conducto de salida del aire deben estar fabricados con material no inflamable.
- Si los diámetros del conducto difieren de lo anteriormente mencionado, utilizar cintas sellantes.

Conexión eléctrica

⚠ ADVERTENCIA

Peligro de descarga eléctrica

Los componentes dentro del equipo pueden tener bordes filosos. Puede dañarse el cable de conexión. No retorcer ni constreñir el cable durante la instalación.

Compruebe la instalación principal antes de conectar la unidad. Preste atención a una adecuada protección de la instalación de la casa. Voltaje y frecuencia del dispositivo deben coincidir con la instalación eléctrica (véase placa de características).

El aparato cumple con la clase de protección I y debe utilizarse únicamente con una conexión a tierra de protección.

En la instalación debe estar presente un interruptor omnipolar con apertura de contactos de al menos 1/8" (3 mm). Éste debe ser todavía accesible después de la instalación.

La instalación o el reemplazo del cable deben llevarse a cabo sólo por personal cualificado, teniendo en cuenta las disposiciones pertinentes.

Si se daña el cable de alimentación de este aparato, sustitúyalo por un cable especial que está disponible con el fabricante o su servicio al cliente.

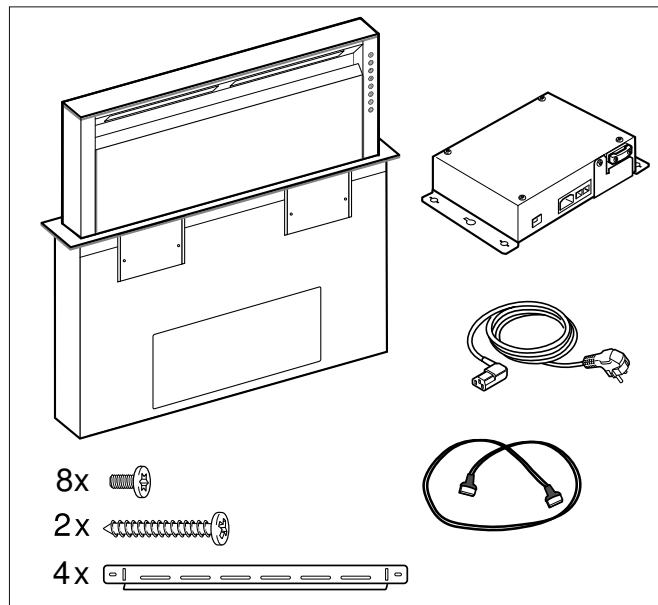
Antes de empezar

Herramientas y piezas necesarias

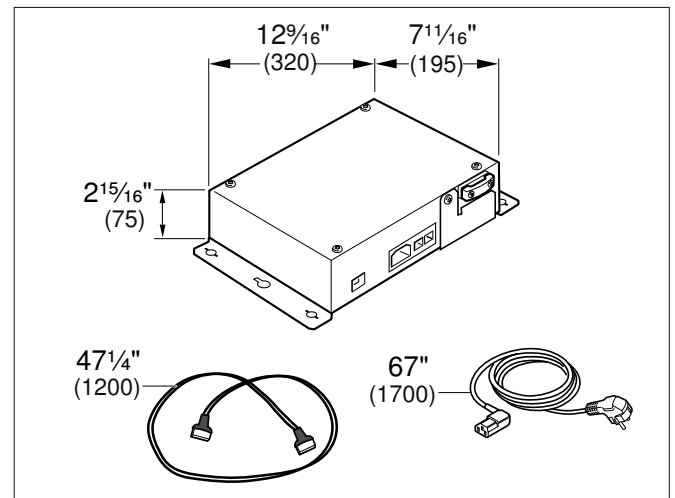
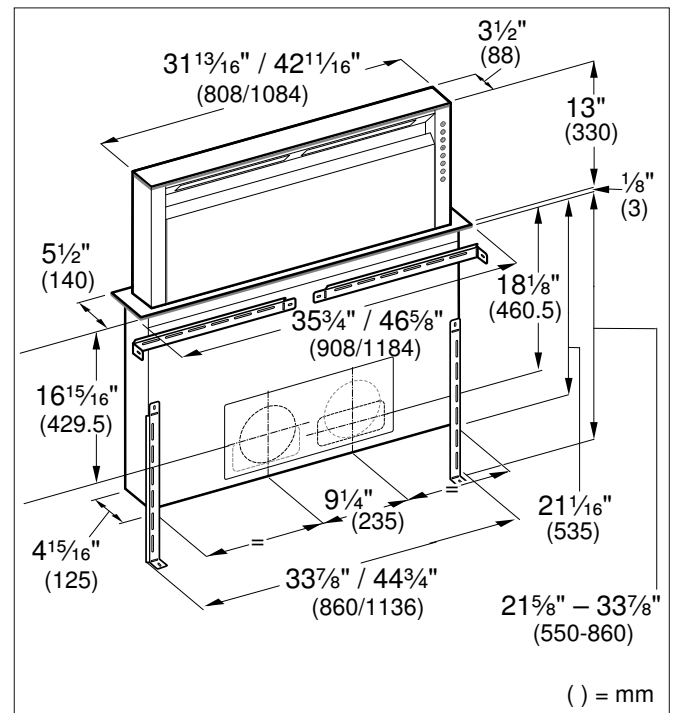
- Destornillador con cabeza Torx T20
- Lápiz
- Taladro con broca de 1/4" (6 mm)
- Sierra caladora
- Cinta métrica

Nota: Es posible que se necesiten otros materiales para la instalación en superficies de trabajo sólidas. Comuníquese con el fabricante de la superficie de trabajo.

Piezas incluidas



Dimensiones del equipo



Accesorios para la instalación

- AA 010 410 Rejilla de salida del aire, recirculación de aire de 3⁹/₁₆" (90 mm)
- AD 754 045 Racor de empalme para tubo de aluminio flexible 2x NW 5¹⁵/₁₆" (150 mm) redondo

Preparación de los muebles de montaje

El mueble de empotrado tiene que resistir una temperatura de hasta 200° F (90°C). La estabilidad del mueble de empotrado tiene que quedar garantizada también después de los trabajos de corte para realizar un hueco.

Realice el hueco para uno o varios equipos Vario en la placa de trabajo, de acuerdo con los planos de montaje. El ángulo de la superficie de corte respecto a la placa de trabajo tiene que ser de 90°.

Los cantos laterales del corte tienen que ser planos, para garantizar una buena fijación de los resortes de sujeción en el equipo. En el caso de las placas de trabajo de varias capas, de ser necesario fije unos listones de madera a los lados del hueco.

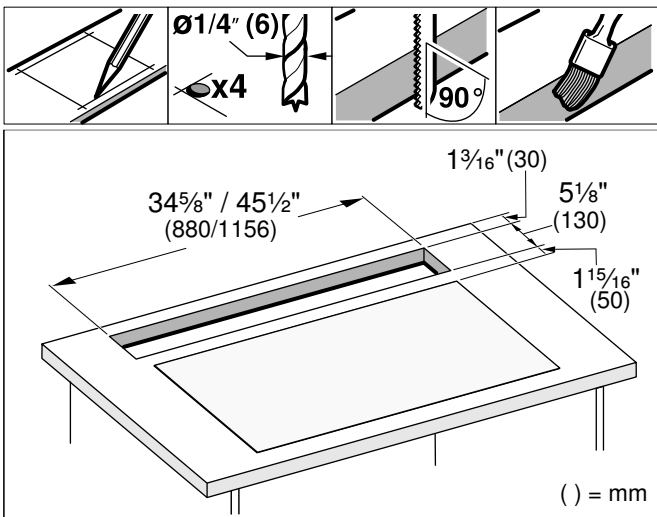
Después de los trabajos de corte, retire las virutas Selle las superficies de corte de forma que resistan el calor y sean herméticas contra el agua.

Respete la distancia mínima de 3/8" (10 mm) de la parte inferior del equipo respecto a las partes del mueble.

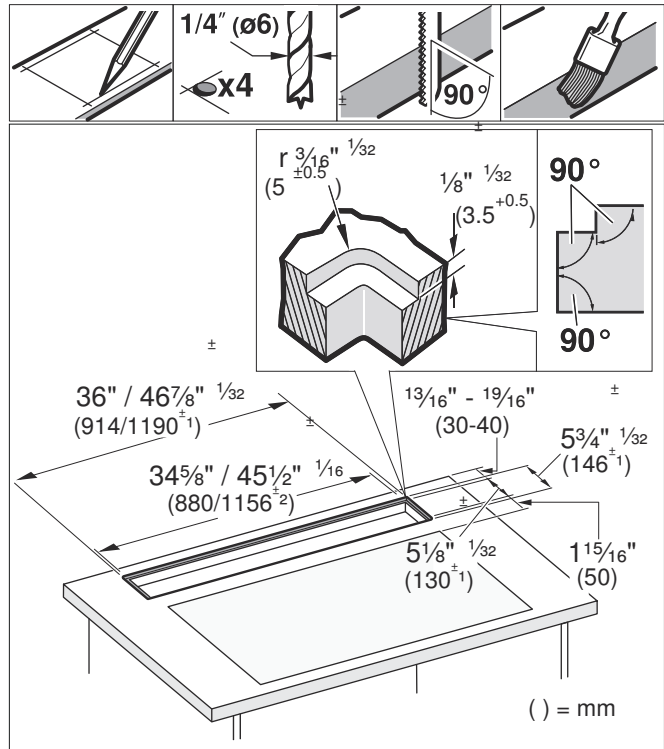
Es necesario asegurar la capacidad de carga y estabilidad a través de estructuras inferiores de apoyo adecuado, especialmente en placas de trabajo delgadas. Tome en cuenta el peso del equipo, incluyendo la carga adicional. El material de refuerzo utilizado debe ser resistente al calor y resistente a la humedad.

Nota: Verifique que el equipo está colocado de forma plana solamente después de instalarlo en el orificio de montaje.

Recortar la encimera



Montaje a ras de superficie: se puede realizar un montaje a ras de superficie de la encimera.



Montaje a ras de superficie: El aparato se puede montar en las siguientes encimeras resistentes a la temperatura y al agua:

- Encimeras de mármol
- Encimeras de plástico o Corian®
- Encimeras de madera maciza: Solo de acuerdo con el fabricante de la encimera (sellado de los bordes de recorte)
- Montaje en otro tipo de encimeras: solo de acuerdo con el fabricante de la encimera

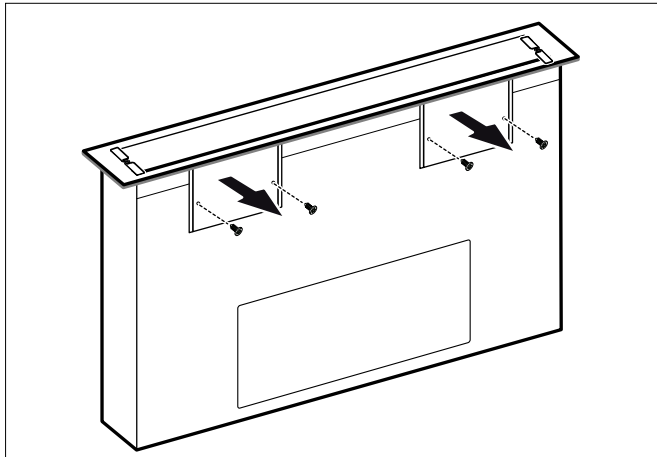
No se puede realizar el montaje en encimeras de madera aglomerada.

Nota: Todos los trabajos de recorte de la encimera deben ser realizados por un servicio especializado de acuerdo con el croquis de montaje. El recorte debe ser limpio y preciso, puesto que el borde cortado se ve en la superficie. Limpie y desengrase los bordes de recorte utilizando un producto de limpieza adecuado (consulte las indicaciones del fabricante de la silicona).

Procedimiento de instalación

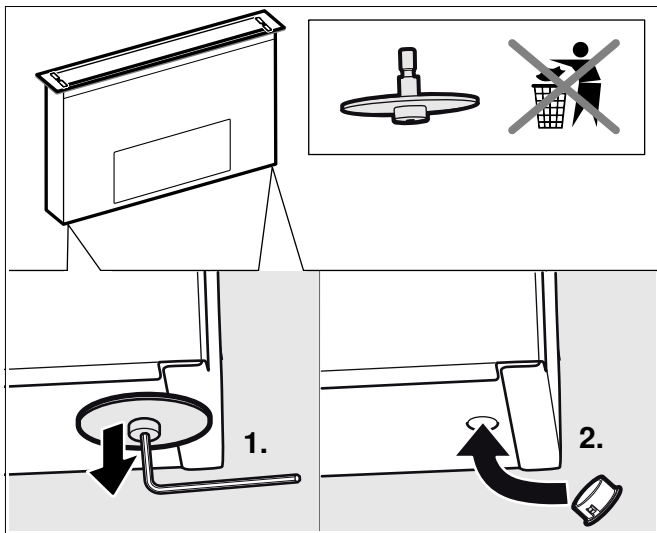
1 Antes de colocar el aparato en el agujero de la cubierta, retirar los siguientes seguros de transporte:

- 2 láminas en la parte delantera del aparato



- 2 tornillos de fijación en la parte inferior del aparato.

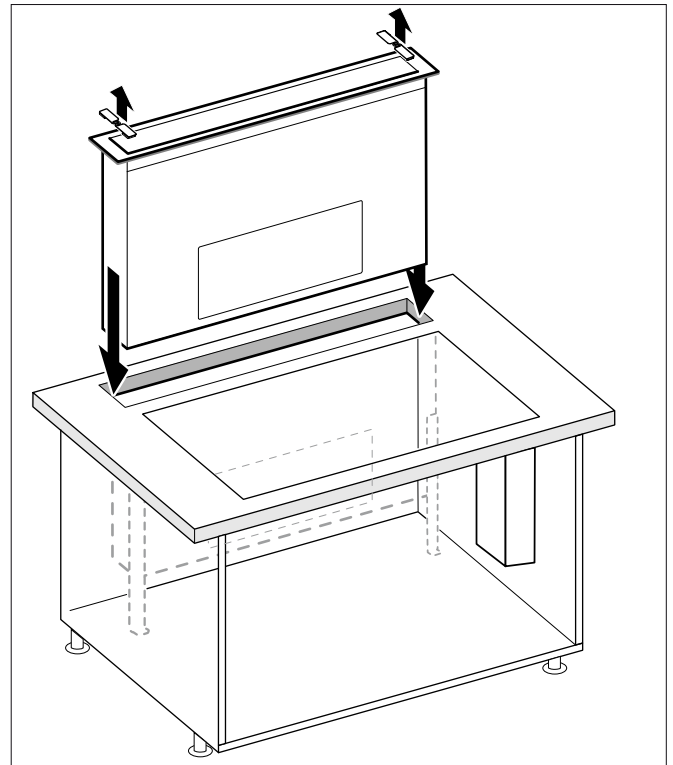
Cerrar los agujeros en la parte inferior del aparato con la tapa de cierre.



Nota: Guardar los seguros de transporte. Instalar nuevamente los seguros de transporte antes de transportar el aparato (por ejemplo, en una mudanza).

2 Introducir el aparato desde arriba en el agujero de la cubierta.

Nota: Al hacerlo, vigilar que la cinta sellante de la parte inferior de la tapa no se desplace.



3 Solo para el montaje a ras: antes de fijar el aparato, debe llevarse a cabo una comprobación de funcionamiento. Sellar la hendidura del contorno con un pegamento de base de silicón adecuado, resistente a las altas temperaturas (p. ej., Novasil®, Pactan®). Pulir la junta con los productos pulidores recomendados por el fabricante. Observar las indicaciones para el uso del pegamento de base de silicón. Poner en funcionamiento el aparato solo tras el secado completo del pegamento de base de silicón (por lo menos 24 horas, en función de la temperatura ambiente).

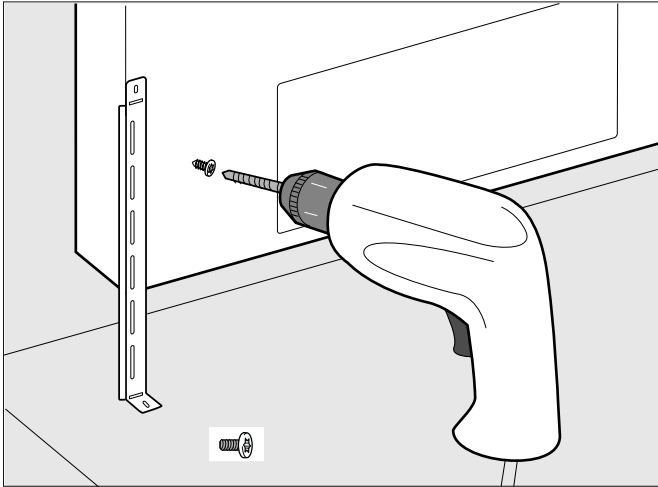
AVISO: Un pegamento de base de silicón inadecuado puede dar lugar a decoloraciones permanentes en cubiertas de piedra natural.

4 Introducir el aparato alineado en el agujero. Presionar firmemente en el agujero desde arriba.

Notas

- El aparato debe quedar bien asentado en el agujero y no debe desplazarse (p. ej., para limpiarlo). Para anchos en el límite superior de tolerancia fijar, en caso necesario, molduras en los laterales del agujero.
- Retirar las piezas de plástico de la tapa en el lado derecho e izquierdo.

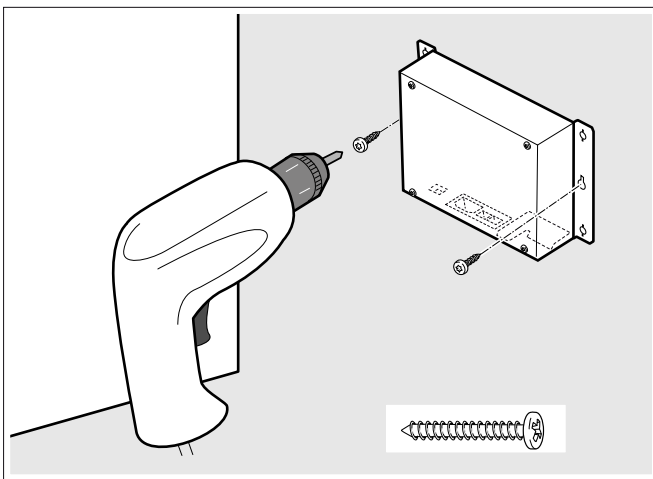
- 5 Nivelar el aparato en el mueble. Observar que la tapa del aparato quede plana sobre la cubierta. Doblar 90° el extremo inferior del ángulo de fijación en la perforación. Atornillar el ángulo de fijación en el aparato y en el fondo del mueble con las pijas para lámina suministrados.



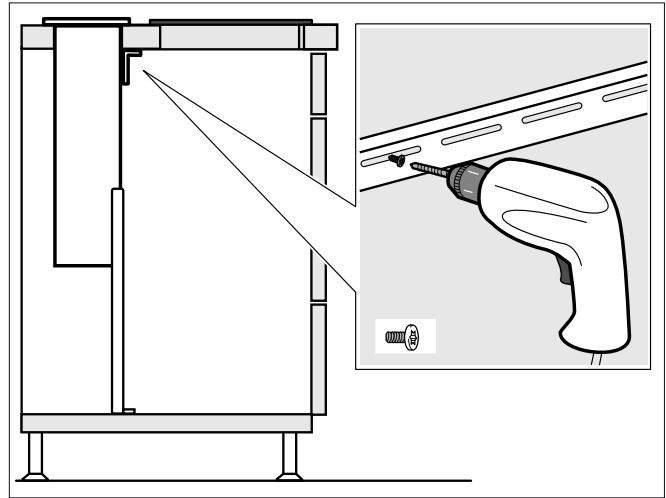
- 6 Fijar la unidad de mando a la pared lateral del mueble de montaje.

⚠ ATENCION

Si penetra humedad, puede causar una descarga eléctrica. No fijar la unidad de mando en el suelo del mueble de montaje.



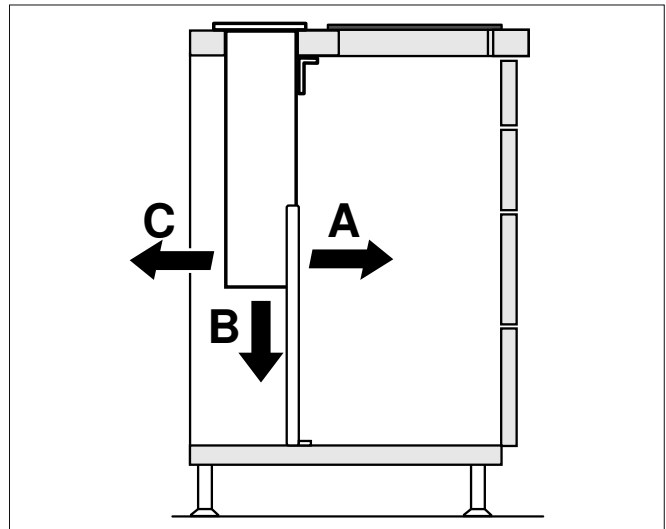
- 7 Fijar la riostra del mueble. El aparato cuenta con orificios para fijarlo a la riostra del mueble. Atornillar la riostra del mueble al aparato y a la placa con las pijas para lámina suministrados.



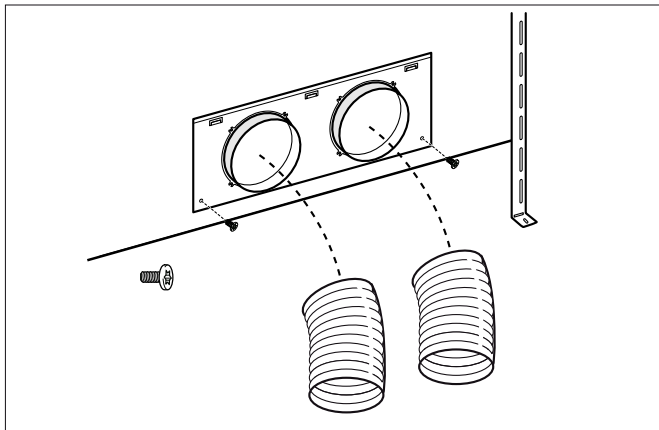
- 8 En función de la situación de montaje, el aire de escape puede evacuarse en tres direcciones distintas (A, B y C).

Notas

- En función de la situación de montaje pueden ser necesarios distintos racores de empalme.
- Para la dirección del aire de escape deben tenerse en cuenta también las instrucciones del módulo del ventilador.



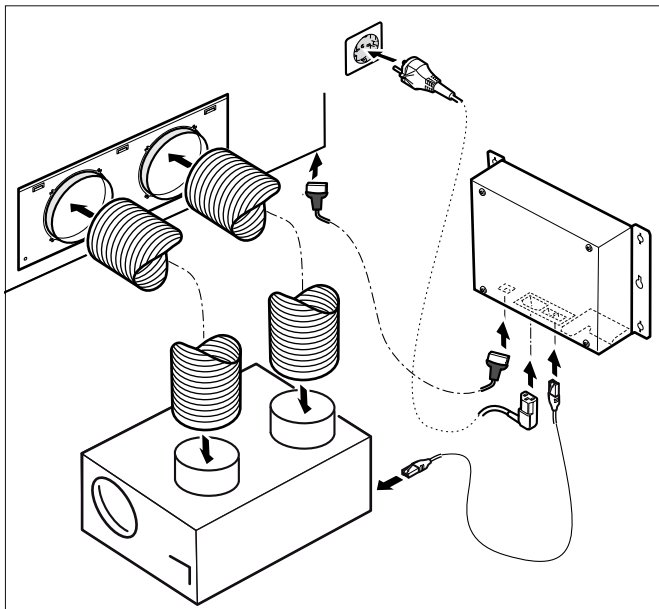
- 9 Fijar el racor de empalme en el aparato. Fijar el tubo de salida de aire en el racor de empalme y sellarlo debidamente. Empalme con tubo redondo.



Nota: Si se utiliza un tubo flexible de aluminio, pulir previamente la zona de conexión.

- 10 Conectar el cable de conexión: insertar firmemente el cable de control desde la unidad de control hacia el aparato y el módulo del ventilador. Los enchufes tienen que encajar. Conectar la unidad de control y el módulo del ventilador a la red y comprobar si funcionan. Si el aparato no funciona: comprobar si el cable de conexión está colocado correctamente.

Nota: Los enchufes de conexión X1 y X2 son idénticos.



Salida de conexión adicional

⚠ ADVERTENCIA

Los trabajos en la salida de conexión adicional solo deben llevarlos a cabo electricistas profesionales que conozcan las disposiciones y normativas vigentes en el país correspondiente.

El aparato dispone de una salida de conexión adicional X16 (contacto libre de potencial) para conectar otros aparatos como, por ejemplo, un equipo de ventilación existente. El contacto se cierra si el ventilador está conectado y se abre si el ventilador está desconectado.

La salida de conexión se encuentra debajo de una cubierta. Potencia de conexión máxima 30 V/1 A (CA/CC). La señal que se conecta al contacto debe ser de la clase de protección 3.

Conexión para interruptor de contacto de la ventana AA 400 510

Los trabajos en la conexión para el interruptor de contacto de la ventana solo deben llevarlos a cabo electricistas profesionales que conozcan las disposiciones y normativas vigentes en el país correspondiente.

El aparato cuenta con una conexión X17 para un interruptor de contacto de la ventana. El interruptor de contacto de la ventana es adecuado tanto para la instalación encajado como para la instalación en superficie. Se envía el interruptor de contacto de la ventana AA 400 510 por separado, como accesorio. Se deben tomar en cuenta las instrucciones de colocación adjuntas al interruptor de contacto de la ventana.

Cuando el interruptor de contacto de la ventana está conectado, la ventilación de la campana extractora funciona únicamente con la ventana abierta. La iluminación funciona también con la ventana cerrada.

Si se conecta la ventilación con la ventana cerrada, parpadea el pulsador del nivel de ventilación seleccionado y la ventilación permanece desconectada.

Si se cierra la ventana estando conectada la ventilación, el aparato desconecta la ventilación en un intervalo de 5 s. El pulsador del nivel de ventilación seleccionado parpadea.

Un deshollinador debe valorar todas las conexiones de ventilación junto con un interruptor de contacto de la ventana.

Funcionamiento conectado

Se pueden conectar varios aparatos. Las luces y los ventiladores de todos los aparatos funcionan de forma sincronizada.

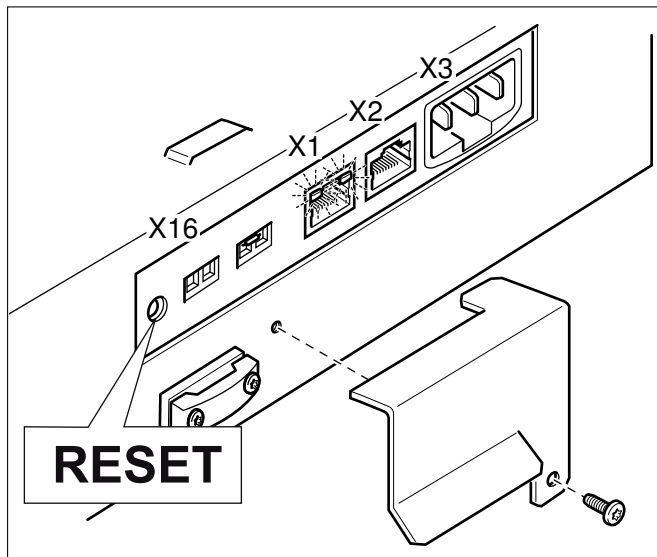
Conectar los aparatos en serie mediante los bornes de conexión X1 y X2 (equivalentes). El orden de la conexión no influye. Si los cables de red suministrados son demasiado cortos, utilizar un cable de red convencional (mín. Cat5, blindado).

Número máximo de conexiones: 20 aparatos. Longitud total de todos los cables de red: 131 pies (40 m). Un profesional calificado debe comprobar la funcionalidad de la instalación en la primera instalación.

Si uno de los aparatos conectados falla (interrupción de la tensión, separación del cable de red), se bloqueará el funcionamiento del ventilador de todo el sistema. Todas las teclas del aparato parpadearán.

Si se modifica la configuración, se deberá reiniciar la instalación:

- 1 Desatornillar la tapa protectora.
- 2 Pulsar la tecla Reset hasta que los dos LED se iluminen de forma permanente (aprox. 5 segundos). Después de 5 segundos, soltar la tecla.
- 3 Atornillar la tapa protectora.
- 4 Contactar con profesionales calificados para que comprueben el funcionamiento de la instalación tras el reinicio.



Conexión de la alimentación eléctrica

⚠ ADVERTENCIA

Peligro de descarga eléctrica

Los componentes dentro del equipo pueden tener bordes filosos. Puede dañarse el cable de conexión. No retorcer ni constreñir el cable durante la instalación.

Para más información, véase la placa de características. Véase la ubicación de la placa de características en "Servicio".

El amperaje máximo de los disyuntores derivados, la sección de los cables y las conexiones deben ser conformes con los requisitos del Reglamento electrotécnico nacional o el Reglamento eléctrico canadiense, así como con todos los demás reglamentos y disposiciones locales.

Este aparato tiene conexión con un enchufe

- El enchufe debe ser conforme con las CONFIGURACIONES NEMA PARA ENCHUFES Y CAJAS.
- El aparato debe estar debidamente conectado a tierra.
- El enchufe debe ser, como mínimo, de tipo 6-20 P (puesta a tierra de 2 polos y 3 conductores).
- La conexión del enchufe debe ser realizada únicamente por un técnico electricista cualificado.
- Instalar una base de enchufe aprox. 27" (700 mm) por encima del suelo y detrás del aparato de acuerdo con la normativa. Debe garantizarse el acceso a la base de enchufe después de su instalación.

Desmontaje del aparato

Desconecte el aparato de la corriente. En los aparatos montados a ras de superficie, retire la junta de silicona. Extraiga el aparato presionando desde abajo.

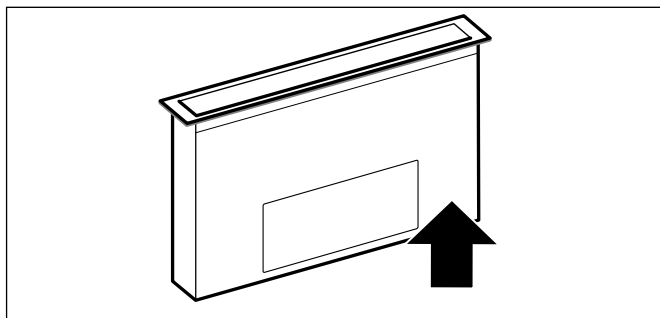
⚠ ATENCION

¡Daños en el aparato! No intente extraer el aparato haciendo palanca desde arriba.

Servicio de atención al cliente

Si su aparato necesita una reparación, nuestro servicio de atención al cliente estará encantado de ayudarle. Siempre encontramos la solución adecuada, incluso para evitar visitas innecesarias de los técnicos.

Cuando llame por teléfono, indique la referencia del producto (Nº E) y el número de fabricación (Nº FD) para que podamos ofrecerle un servicio cualificado. La placa de características con los correspondientes números se encuentra en la parte delantera del aparato. Para acceder a ella, abrir la puerta del mueble en el que está empotrado el aparato.



Para evitar tener que buscar los datos de su aparato cuando los precise, es aconsejable anotarlos aquí conjuntamente con el número de teléfono del Servicio de atención al cliente.

Nº E.

Nº FD.

Servicio de atención al cliente ☎

Tenga en cuenta que la visita del técnico del servicio de atención al cliente no es gratuito en caso de que el mal funcionamiento sea debido a un manejo incorrecto del aparato.

Las señas de las delegaciones internacionales figuran en la lista adjunta de centros y delegaciones del Servicio de Asistencia Técnica Oficial.

Solicitud de reparación y asesoramiento en caso de averías

US 877 442 4436
toll-free

Confíe en la competencia del fabricante. De esa forma se asegura de que la reparación se lleva a cabo por personal técnico debidamente instruido, equipado con las piezas originales y de repuesto necesarias para su aparato.

Gaggenau

BSH Home Appliance Corporation

1901 Main Street, Suite 600

Irvine, CA 92614

+1.877.442.4436

USA

www.gaggenau-usa.com

© 2017 BSH Home Appliances

Gaggenau Hausgeräte GmbH

Carl-Wery-Straße 34

81739 München

GERMANY

GAGGENAU



9000972462 en-us, es-mx, fr-ca (970320)