



AI442720  
400 series island hood  
Stainless Steel  
Width 47 1/4" (120 cm)  
Air extraction / recirculation  
Comes without blower. (Chose from AR400743 internal, AR400742 inline or AR401742 remote blower.)  
Duct cover not included. Must be ordered separately.

Professional technology hood combined with classic Gaggenau design  
Highly efficient extraction of cooking vapors due to large vapor collection area  
Comes without blower, can be combined with Gaggenau's highly performing and highly efficient brushless DC (BLDC) blowers  
Angled baffle filter with high grease absorption level  
Automatic function, sensor-controlled power adjustment depending on the build-up of cooking vapors  
Dimmable, warm white LED lighting for ideal illumination of the cooking surface.  
Air extraction or recirculation system  
Recirculation kit with activated charcoal filters: quiet and highly efficient recirculation solution with odor reduction as in air extraction mode, and long replacement intervals

**Output**  
For CFM information, refer to the blower overview in the Models & Dimensions catalog.

**Features**  
Three electronically controlled power levels and an intensive mode.  
Automatic function with sensor-controlled delayed shut-off function.  
Grease filter saturation indication by flashing light  
Baffle filter, dishwasher-safe.  
Warm white surface LED light (3500 K), continuously dimmable.  
Lamp output 4 x LED light bars 10W.  
Illuminance 1390 lx.

**Planning notes**  
To chose the correct blower for either extraction or recirculation, refer to the blower overview on page xx.  
The two-part duct cover must be ordered as a separate installation accessory.  
Connection to the respective appliances via network cable.  
Minimum clearance above gas cooktops 70 cm.  
Minimum clearance above electric cooktops min. 60 cm.  
Air recirculation kit with 2 activated charcoal filters is installed in the inner duct cover. Special recirculation duct covers are available.  
When installing a ventilation hood with air extraction mode and a chimney-vented fireplace, the power supply line of the ventilation appliance needs a suitable safety switch.

**Rating**  
Total rating: 50 W.  
Total Amps: 10 A.  
120 V / 60 Hz  
Connecting cable 35,4" with plug.

**Product Features**  
**Operating Mode**  
Convertible: Ducted / Recirculating  
**Number of speed settings**  
**Delay Shut off modes**  
**Silence level (dBA)**  
**Required accessories**  
**Optional accessories**  
AA400510, AA442110, AA442810, AD442396  
**Number of lights**  
4  
**Type of lamps used**  
LED  
**Total power of the lamps (W)**  
40  
**Grease filter material**  
Washable stainless steel  
**Grease filter type**  
**Clean filter reminders**

**Consumption and connection features**  
**UPC code**  
825225910015  
**Material**  
Stainless steel  
**Watts (W)**  
50  
**Current (A)**  
10  
**Volts (V)**  
120  
**Frequency (Hz)**  
60  
**Approval certificates**  
VDE  
**Power Cord Length**  
35,4  
**Plug type**  
120V-3 prong

**Overall appliance dimensions (HxWxD) (in)**  
/ x 47 1/4" x  
**Product packaging dimensions (HxWxD) (in)**  
20.66 x 51.77 x 31.29  
**Height of the chimney (in)**  
**Vertical rise height**  
**Required distance above cooktop/ ranges**  
23,63/25,56  
**Net weight (lbs)**  
87  
**Gross weight (lbs)**  
119  
**Adjustable feet**  
**Motor location**  
without motor  
**Maximum CFM**  
**Diameter of air duct (in) top**  
**Diameter of air duct (in) back**  
**Discharge direction**  
**No-return airflow flap**  
No

2017-09-14  
Page 1

**Color Variants**  
AI442720  
Stainless Steel  
Width 47 1/4" (120 cm)

**Optional accessories**  
AA442110  
2 activated charcoal filter with high efficient odor reduction due to increased surface. For air recirculation kit AA 442 810  
AA442810  
Air recirculation kit inclusive 2 activated charcoal filters with high efficient odor reduction due to increased surface.  
AD442396  
Ceiling collar for chimneys

**Required installation accessories**  
AD442016  
Stainless steel duct cover, including installation tower  
AD442026  
Stainless steel duct cover, including installation tower  
AD442116  
Stainless steel duct cover, including installation tower  
AD442126  
Stainless steel duct cover, including installation tower

AI442720

400 series island hood

Stainless Steel

Width 47 1/4" (120 cm)

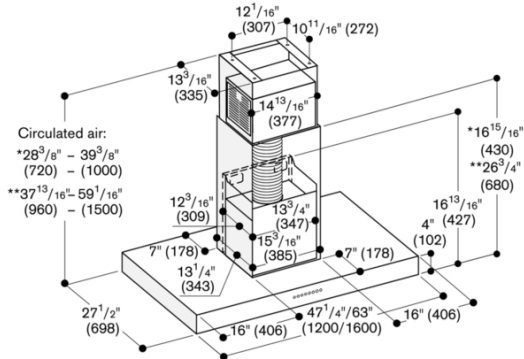
Air extraction / recirculation

Comes without blower. (Chose from AR400743 internal, AR400742 inline or AR401742 remote blower.)

Duct cover not included. Must be ordered separately.

2017-09-14

Page 2



Circulated air:

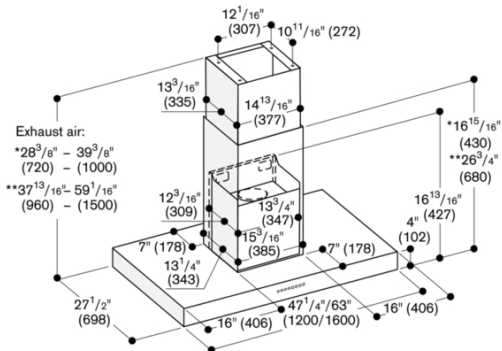
\*28<sup>3</sup>/<sub>8</sub>" - 39<sup>3</sup>/<sub>8</sub>"

(720) - (1000)

\*\*37<sup>13</sup>/<sub>16</sub>" - 59<sup>1</sup>/<sub>16</sub>"

(960) - (1500)

- \* With the air recirculation duct cover AD 442 116 suitable for ceiling heights of 7.6 ft (2.35 m) to 8.6 ft (2.60 m).
- \*\*With the air recirculation duct cover AD 442 126 suitable for ceiling heights of 8.6 ft (2.60 m) to 10.2 ft (3.10 m); specifications refer to a distance from floor to lower extractor hood edge of 5.2 ft (1.60 m).



Exhaust air:

\*28<sup>3</sup>/<sub>8</sub>" - 39<sup>3</sup>/<sub>8</sub>"

(720) - (1000)

\*\*37<sup>13</sup>/<sub>16</sub>" - 59<sup>1</sup>/<sub>16</sub>"

(960) - (1500)

- \* With the exhaust air duct cover AD 442 016 suitable for ceiling heights of 7.6 ft (2.35 m) to 8.6 ft (2.60 m).
- \*\*With the exhaust air duct cover AD 442 026 suitable for ceiling heights of 8.6 ft (2.60 m) to 10.2 ft (3.10 m); specifications refer to a distance from floor to lower extractor hood edge of 5.2 ft (1.60 m).