

36" Gas Cooktop

800 Series – Stainless Steel NGM8656UC



NGM8656UC
Stainless Steel

Also available in:

Black w/Black NGM8646UC
Stainless
Knobs

Bosch gas cooktops are engineered to perform precisely, offering high heat and low simmer options for optimal cooking flexibility.

Features & Benefits

Powerful 19,000 BTU burner for boiling, searing and stir-frying

OptiSim® Burner – simmer delicate sauces and melt chocolate without scorching

Electronic re-ignition will automatically re-ignite the burner in case the flame goes out

Continuous grates make moving heavy pots easier

Distinctive red LED light indicates burners are on

General Properties

| | |
|----------------|-----------|
| Knob material | Metal |
| Sealed burners | Yes |
| Grate material | Cast iron |

Element Performance

| | |
|---------------------------------------|-----------------|
| Total BTU load (NG / LP) | 58,500 / 47,300 |
| Power of front left burner (NG / LP) | 12,000 / 9,100 |
| Power of back left burner (NG / LP) | 10,000 / 9,100 |
| Power of center burner (NG / LP) | 19,000 / 15,000 |
| Power of back right burner (NG / LP) | 5,500 / 5,000 |
| Power of front right burner (NG / LP) | 12,000 / 9,100 |

Technical Details

| | |
|----------------------------------|---------|
| Watts | 360 W |
| Circuit breaker | 15 A |
| Volts | 120 V |
| Frequency | 60 Hz |
| Plug type | 3 prong |
| Power cord length | 60" |
| Energy source | Gas |
| Convertible to LP (kit required) | Yes |



Dimensions & Weight

| | |
|--------------------------------------|--------------------------------|
| Overall appliance dimensions (HxWxD) | 3 13/16" x 37" x 21 1/4" |
| Required cutout size (HxWxD) | 3 13/16" x 34 15/16" x 19 1/8" |
| Minimum distance from counter front | 1 7/8" |
| Minimum distance from rear wall | 3" |
| Net weight | 39 lbs |

Accessories – Included

| | |
|----------|-------------------|
| Included | LP conversion kit |
|----------|-------------------|

Accessories – Optional



HEZ298102
Wok ring



HEZGR301
Griddle

Accessories: To purchase Bosch accessories, cleaners & parts please visit www.bosch-home.com/us/store or call 1-800-944-2904 (Mon to Fri 5 am to 6 pm PST, Sat 6 am to 3 pm PST).

Notes: All height, width and depth dimensions are shown in inches. BSH reserves the absolute and unrestricted right to change product materials and specifications, at any time, without notice. Consult the product's installation instructions for final dimensional data and other details prior to making cutout.

Warranties: Please see Use & Care manual or Bosch website for statement of limited warranty.

For more information on our entire line of products, go to www.bosch-home.com/us or call 1-800-944-2904

© BSH Home Appliances Corporation. All rights reserved. Bosch is a registered trademark of Robert Bosch GmbH.

36" Gas Cooktop

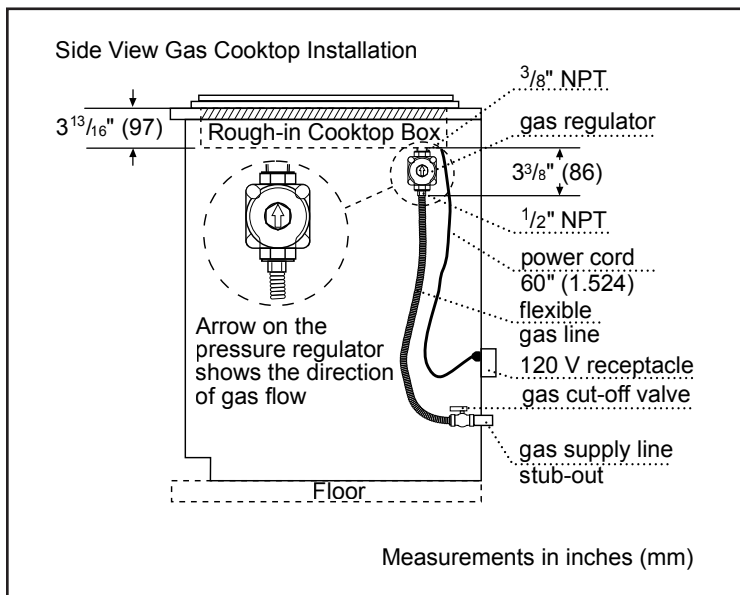
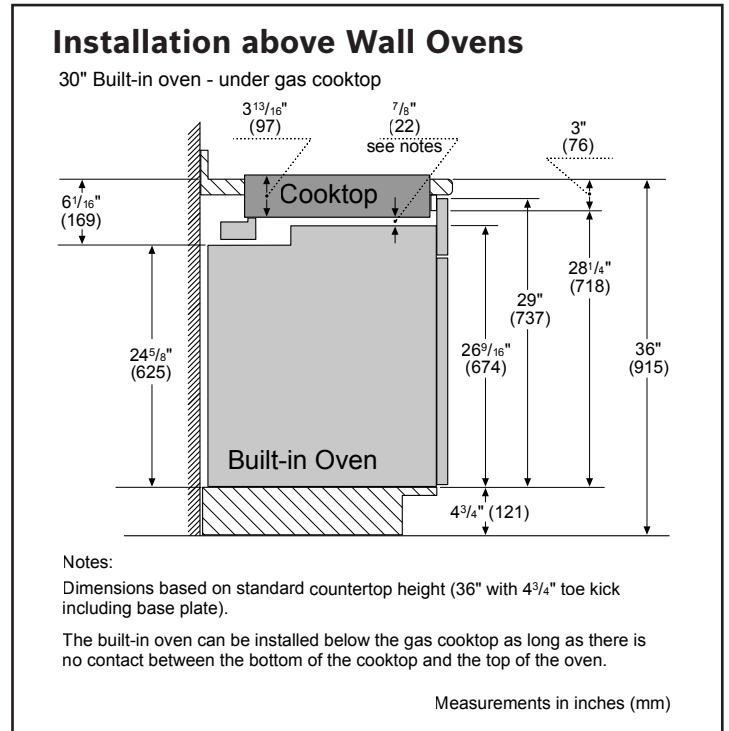
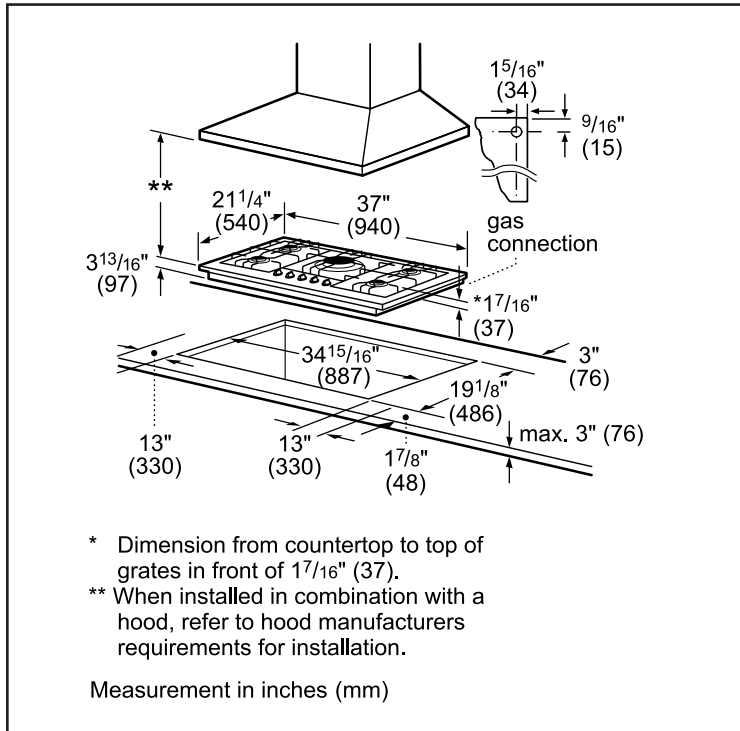
800 Series – Stainless Steel NGM8656UC



BOSCH
Invented for life



Installation Details



Accessories: To purchase Bosch accessories, cleaners & parts please visit www.bosch-home.com/us/store or call 1-800-944-2904 (Mon to Fri 5 am to 6 pm PST, Sat 6 am to 3 pm PST).

Notes: All height, width and depth dimensions are shown in inches. BSH reserves the absolute and unrestricted right to change product materials and specifications, at any time, without notice. Consult the product's installation instructions for final dimensional data and other details prior to making cutout.

Warranties: Please see Use & Care manual or Bosch website for statement of limited warranty.

For more information on our entire line of products, go to www.bosch-home.com/us or call 1-800-944-2904

© BSH Home Appliances Corporation. All rights reserved. Bosch is a registered trademark of Robert Bosch GmbH.

36" Gas Cooktop

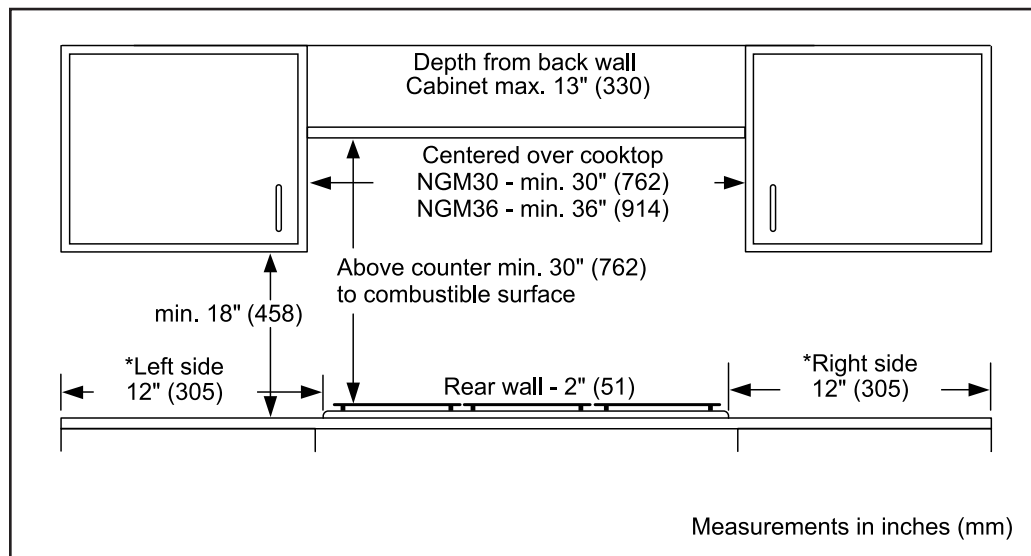
800 Series – Stainless Steel NGM8656UC



BOSCH
Invented for life



Installation Details



Accessories: To purchase Bosch accessories, cleaners & parts please visit www.bosch-home.com/us/store or call 1-800-944-2904 (Mon to Fri 5 am to 6 pm PST, Sat 6 am to 3 pm PST).

Notes: All height, width and depth dimensions are shown in inches. BSH reserves the absolute and unrestricted right to change product materials and specifications, at any time, without notice. Consult the product's installation instructions for final dimensional data and other details prior to making cutout.

Warranties: Please see Use & Care manual or Bosch website for statement of limited warranty.

For more information on our entire line of products, go to www.bosch-home.com/us or call 1-800-944-2904

© BSH Home Appliances Corporation. All rights reserved. Bosch is a registered trademark of Robert Bosch GmbH.