

24" Drawer Microwave

800 Series – Stainless Steel HMD8451UC



BOSCH
Invented for life



HMD8451UC
Stainless Steel

The 24" drawer microwave opens and closes automatically with the push of a button, and can be installed flush to cabinet.

Features & Benefits

Convenient automatic sensor programs simplify cooking for perfect results.

White touch control LCD matches Bosch wall ovens.

Able to fit a 20 oz. cup or a 13" x 9" baking oven pan.

Low profile design with touch "open" and "close".

General Properties

Cavity material	White
Max. microwave power (W)	950 W

Capacity

Cavity capacity (cu. ft.)	1.2 cu. ft.
---------------------------	-------------

Technical Details

Watts (W)	1,500 W
Circuit breaker (A)	15 A
Volts (V)	120 V
Frequency (Hz)	60 Hz
Power cord length (in)	48"
Plug type	120V-3 prong

Dimensions & Weight

Overall appliance dimensions (HxWxD) (in)	16 5/16" X 23 7/8" X 23 3/8"
Required cutout size (HxWxD) (in)	14 13/16" x 22 1/8" x 23 1/2"
Net weight (lbs)	81 lbs



Accessories: To purchase Bosch accessories, cleaners & parts please visit www.bosch-home.com/us/store or call 1-800-944-2904 (Mon to Fri 5 am to 6 pm PST, Sat 6 am to 3 pm PST).

Notes: All height, width and depth dimensions are shown in inches. BSH reserves the absolute and unrestricted right to change product materials and specifications, at any time, without notice. Consult the product's installation instructions for final dimensional data and other details prior to making cutout.

Warranties: Please see Use & Care manual or Bosch website for statement of limited warranty.

For more information on our entire line of products, go to www.bosch-home.com/us or call 1-800-944-2904

© BSH Home Appliances Corporation. All rights reserved. Bosch is a registered trademark of Robert Bosch GmbH.

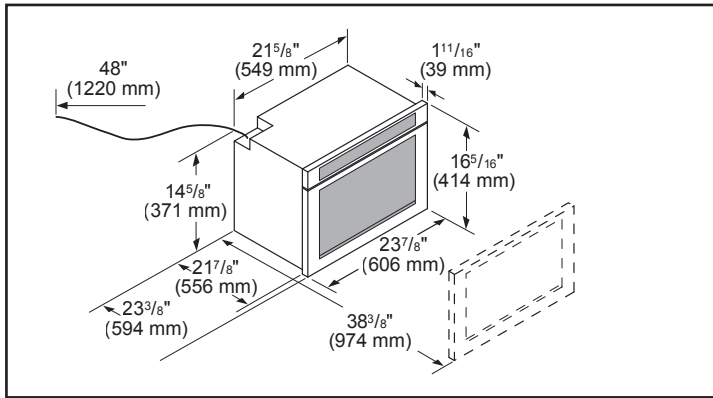
24" Drawer Microwave

800 Series – Stainless Steel HMD8451UC

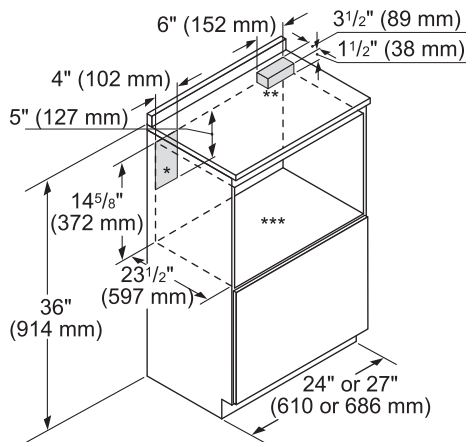


BOSCH
Invented for life

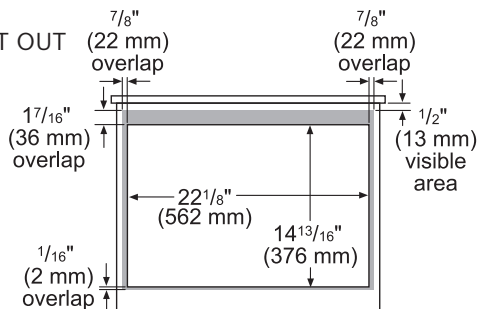
Installation Details



STANDARD INSTALLATION DIMENSIONS & CLEARANCES

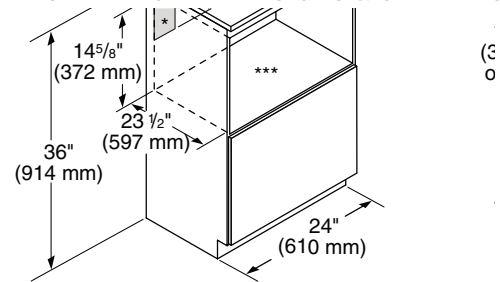


FRONTVIEW CUT OUT

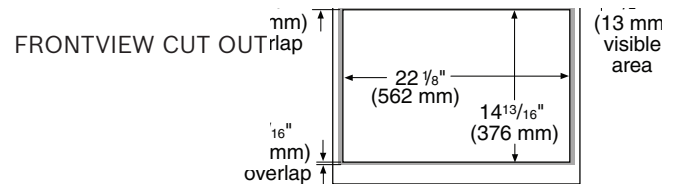


- * Recommended location of electrical outlet
- ** Anti-tip block
- *** Base should support up to 100 lbs

FLUSH INSTALLATION DIMENSIONS & CLEARANCES



- * Sugg
- ** Anti-
- *** Base



location of electrical outlet lock

should support up to 100 lbs

Accessories: To purchase Bosch accessories, cleaners & parts please visit www.bosch-home.com/us/store or call 1-800-944-2904 (Mon to Fri 5 am to 6 pm PST, Sat 6 am to 3 pm PST).

Notes: All height, width and depth dimensions are shown in inches. BSH reserves the absolute and unrestricted right to change product materials and specifications, at any time, without notice. Consult the product's installation instructions for final dimensional data and other details prior to making cutout.

Warranties: Please see Use & Care manual or Bosch website for statement of limited warranty.

For more information on our entire line of products, go to www.bosch-home.com/us or call 1-800-944-2904

© BSH Home Appliances Corporation. All rights reserved. Bosch is a registered trademark of Robert Bosch GmbH.