

30" Double Wall Oven

800 Series – Black Stainless Steel HBL8642UC



BOSCH
Invented for life



HBL8642UC
Black Stainless Steel

Also available in:
Stainless Steel HBL8651UC
Black HBL8661UC

Bosch black stainless steel helps guard against scratches and fingerprints.

Features & Benefits

Dampened hinges softly and quietly guide the QuietClose® door shut.

A full-extension telescopic rack offers safe access to the oven cavity.

Touch control with SteelTouch™ buttons makes operating the oven easier.

The wall oven is designed to be installed flush with cabinetry.

Bosch wall ovens are compatible with most competitors' cutouts.

General Properties

Cooking modes – upper cavity	Bake, Variable Broil (hi & low), Roast, Warm, Sabbath, Proof Dough, Convection Bake, Convection Broil, Convection Roast, Pizza, Multi Rack Genuine European Convection, Convection Conversion, Temperature Probe, Fast Preheat
Cooking modes – lower cavity	Bake, Variable Broil (hi & low), Roast, Warm, Sabbath
Cleaning type – upper & lower cavity	Self Clean
Telescopic rack	1
Illumination type – upper & lower cavity	Incandescent
Interior lights – upper cavity	2
Interior lights – lower cavity	1



Oven Performance

Bake / Broil element wattages – upper & lower cavity 2,400 / 3,800 W

Convection element wattages – upper cavity 2,000 W

Technical Details

Watts (W) 8,495 W

Volts (V), Frequency (Hz), Circuit breaker (A) 240 / 208 V, 60 Hz, 40 A

Power cord length (in); Plug type 50"; Fixed connection, no plug

Energy source Electric

Dimensions & Weight

Overall appliance dimensions (HxWxD)(in) 52 1/16" x 29 3/4" x 24 1/2"

Required cutout size (HxWxD) (in) 49 3/4" – 51 1/2" x 28 1/2" x 23 1/2"

Oven cavity size (cu. ft.) 4.6

Overall oven interior dimensions (HxWxD) (in) 17 13/16" x 24 1/8" x 18"

Usable oven interior dimensions (HxWxD) (in) 12 5/16" x 23 1/4" x 15 1/4"

Net weight (lbs) 261 lbs

Accessories—Included

Included Upper Oven: 1 Telescopic and 2 Standard Oven Racks, Temperature Probe Lower Oven: 2 Standard Oven Racks

Accessories—Optional



HEZTR301
30" Telescopic Rack

Accessories: To purchase Bosch accessories, cleaners & parts please visit www.bosch-home.com/us/store or call 1-800-944-2904 (Mon to Fri 5 am to 6 pm PST, Sat 6 am to 3 pm PST).

Notes: All height, width and depth dimensions are shown in inches. BSH reserves the absolute and unrestricted right to change product materials and specifications, at any time, without notice. Consult the product's installation instructions for final dimensional data and other details prior to making cutout.

Warranties: Please see Use & Care manual or Bosch website for statement of limited warranty.

For more information on our entire line of products, go to www.bosch-home.com/us or call 1-800-944-2904

© BSH Home Appliances Corporation. All rights reserved. Bosch is a registered trademark of Robert Bosch GmbH.

30" Double Wall Oven

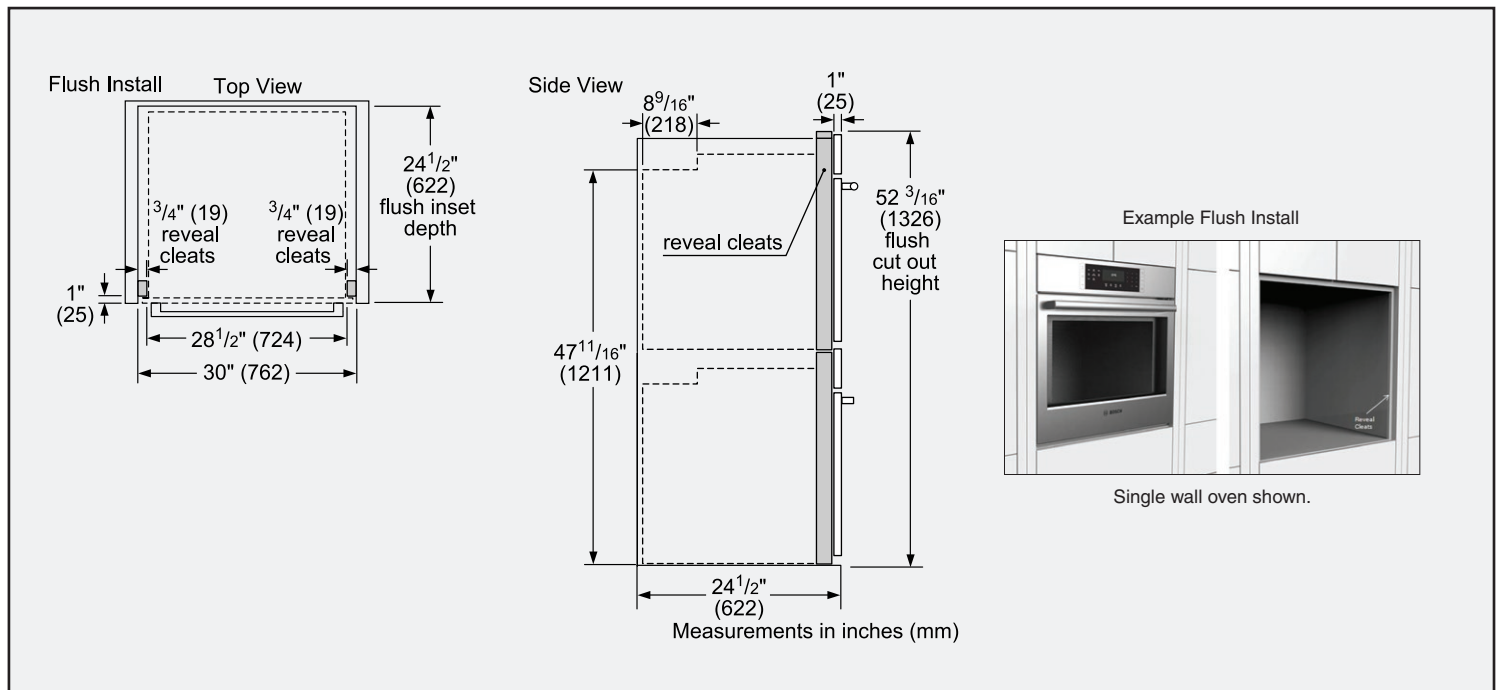
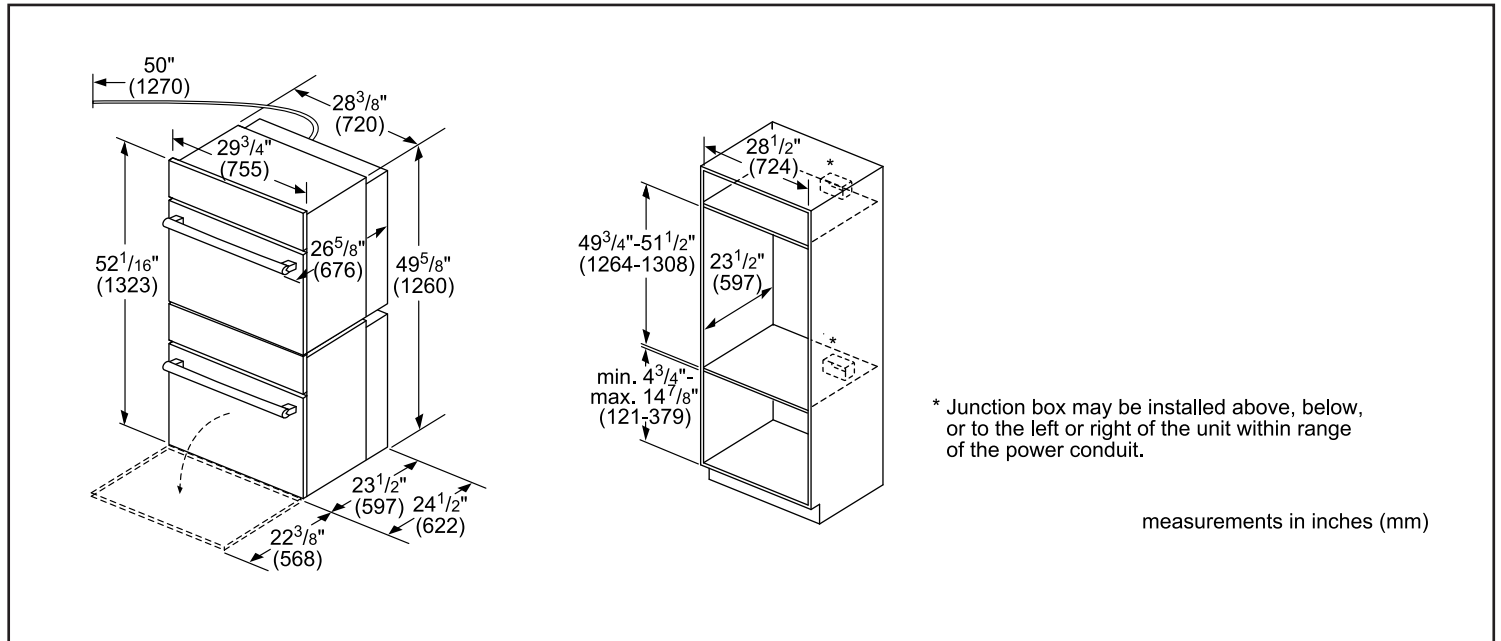
800 Series – Black Stainless Steel HBL8642UC



BOSCH

Invented for life

Installation Details



Accessories: To purchase Bosch accessories, cleaners & parts please visit www.bosch-home.com/us/store or call 1-800-944-2904 (Mon to Fri 5 am to 6 pm PST, Sat 6 am to 3 pm PST).

Notes: All height, width and depth dimensions are shown in inches. BSH reserves the absolute and unrestricted right to change product materials and specifications, at any time, without notice. Consult the product's installation instructions for final dimensional data and other details prior to making cutout.

Warranties: Please see Use & Care manual or Bosch website for statement of limited warranty.

For more information on our entire line of products, go to www.bosch-home.com/us or call 1-800-944-2904

© BSH Home Appliances Corporation. All rights reserved. Bosch is a registered trademark of Robert Bosch GmbH.

30" Double Wall Oven

800 Series – Black Stainless Steel HBL8642UC



BOSCH
Invented for life

Installation Details

Standard

1 3/4" (44mm)

Side-by-Side Installation

The ovens will overlap the cutout resulting in a 1/2" (13mm) spacing between the products

IMPORTANT: The spacing between cutouts applies when installing any Bosch 30" or 27" single, double, combination and 27"/30" compact oven in a side-by-side installation.

Flush

1/2" (13mm)

Standard Installation
30" Double Oven over Storage or Warming Drawer

measurements in inches (mm)

* Wall oven junction box may be located above or right or left of the unit within reach of the power conduit.

** Electrical hook up may be located below (depending on space) or next to the drawer within the reach of the power cord.

Flush Installation
Double Oven over Storage or Warming Drawer

Side View

measurements in inches (mm)

* **IMPORTANT:** base has to be able to support oven weight. Please check oven manual for minimum weight requirements.

Accessories: To purchase Bosch accessories, cleaners & parts please visit www.bosch-home.com/us/store or call 1-800-944-2904 (Mon to Fri 5 am to 6 pm PST, Sat 6 am to 3 pm PST).

Notes: All height, width and depth dimensions are shown in inches. BSH reserves the absolute and unrestricted right to change product materials and specifications, at any time, without notice. Consult the product's installation instructions for final dimensional data and other details prior to making cutout.

Warranties: Please see Use & Care manual or Bosch website for statement of limited warranty.

For more information on our entire line of products, go to www.bosch-home.com/us or call 1-800-944-2904

© BSH Home Appliances Corporation. All rights reserved. Bosch is a registered trademark of Robert Bosch GmbH.