

30" Microwave Combination Oven

500 Series – Stainless Steel HBL57M52UC



BOSCH

Invented for life



HBL57M52UC
Stainless Steel

Built-In Microwave Design Matched for Use in Combination with Bosch Wall Oven.

Features & Benefits

Bosch wall ovens are compatible with most competitor's cutouts.

The wall oven is designed to be installed flush with cabinetry.

General Properties

Cooking modes – upper cavity Microwave; 10 Sensor Cooking Programs (including Baked Potato, Sweet Potato, Fresh Vegetable, Frozen Vegetable, Ground Meat, Fish/Seafood, Brown Rice, White Rice, Frozen Entrees, Reheat), Popcorn, Beverage, Melt/Soften, Defrost

Cooking modes – lower cavity Bake, Variable Broil (hi & low), Roast, Warm, Sabbath, Proof Dough, Convection Bake, Convection Broil, Convection Roast, Pizza, Multi Rack Genuine European Convection, Convection Conversion

Cleaning type – lower Self Clean

Telescopic rack 0

Illumination type Incandescent (Upper and Lower)

Interior lights 1 Upper / 1 Lower

Oven Performance

Microwave power – upper cavity 950 W

Bake / broil element wattages – upper cavity N/A

Bake / broil element wattages – lower cavity 2,400 / 3,800 W

Convection element wattages – lower cavity 2,000 W

Technical Details

Watts (W) 9,600 W

Circuit breaker (A) 40 A

Volts (V); Frequency (Hz) 240 / 208 V; 60 Hz

Power cord length (in) 50"

Plug type Fixed Connection, No Plug

Energy source Electric

Dimensions & Weight

Overall appliance dimensions (HxWxD)(in) 49" x 29 3/4" x 24 1/2"

Required cutout size – Standard (HxWxD) (in) 48 5/8" x 28 1/2" x 23 1/2"

Required cutout size – Flush (HxWxD) (in) 49 1/8" x 30" x 24 1/2"

Oven cavity size – upper 1.6 cu. ft.

Overall upper oven interior dimensions (HxWxD) (in.) 9 7/8" x 16 1/2" x 16 1/2"

Turntable – Glass Max. Cookware – upper 14 1/8" dia.

Oven cavity size – lower 4.6 cu. ft.

Overall lower oven interior dimensions (HxWxD) (in) 17 13/16" x 24 1/8" x 18"

Usable lower oven interior dimensions (HxWxD) (in) 12 5/16" x 23 1/4" x 15 1/4"

Net weight (lbs) 259 lbs

Accessories—Included

Upper Oven: Glass Turntable
Lower Oven: 3 Standard Racks

Accessories—Optional



HEZTR301
30" Telescopic Rack



*Wall oven only

Accessories: To purchase Bosch accessories, cleaners & parts please visit www.bosch-home.com/us/store or call 1-800-944-2904 (Mon to Fri 5 am to 6 pm PST, Sat 6 am to 3 pm PST).

Notes: All height, width and depth dimensions are shown in inches. BSH reserves the absolute and unrestricted right to change product materials and specifications, at any time, without notice. Consult the product's installation instructions for final dimensional data and other details prior to making cutout.

Warranties: Please see Use & Care manual or Bosch website for statement of limited warranty.

For more information on our entire line of products, go to www.bosch-home.com/us or call 1-800-944-2904

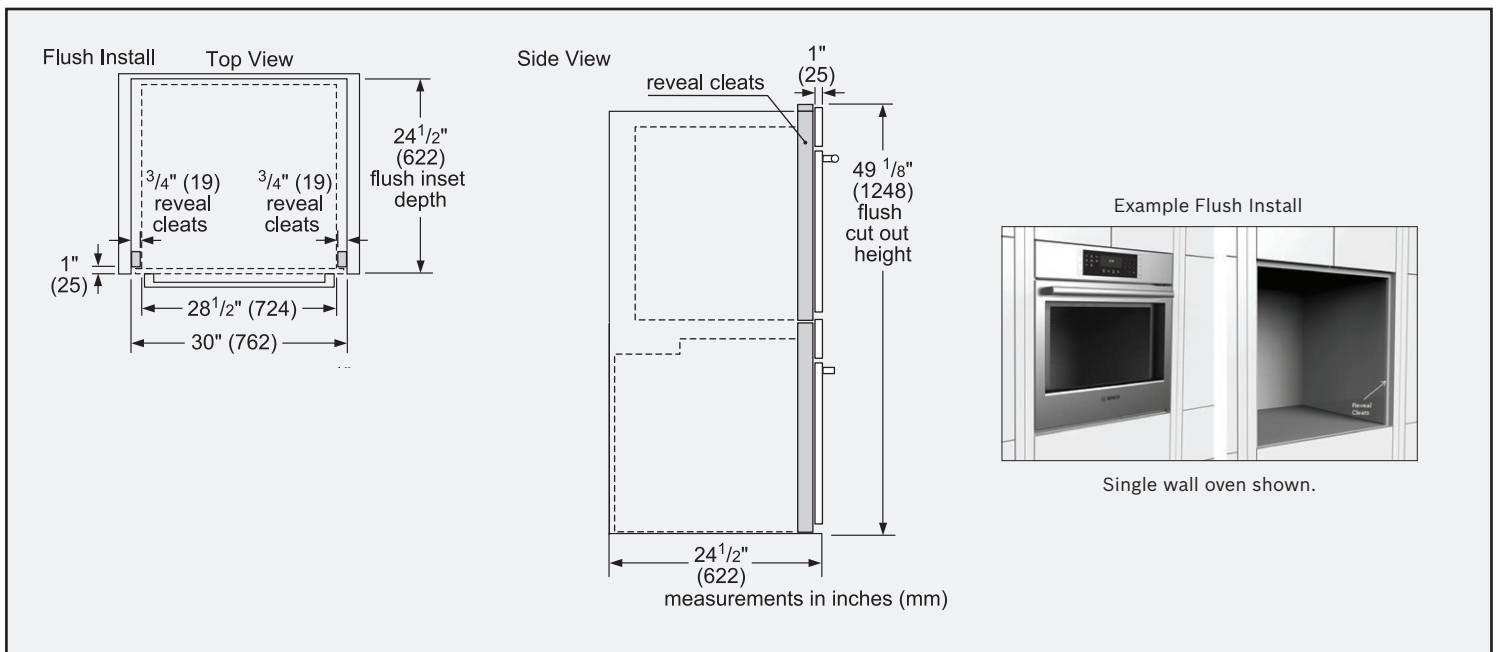
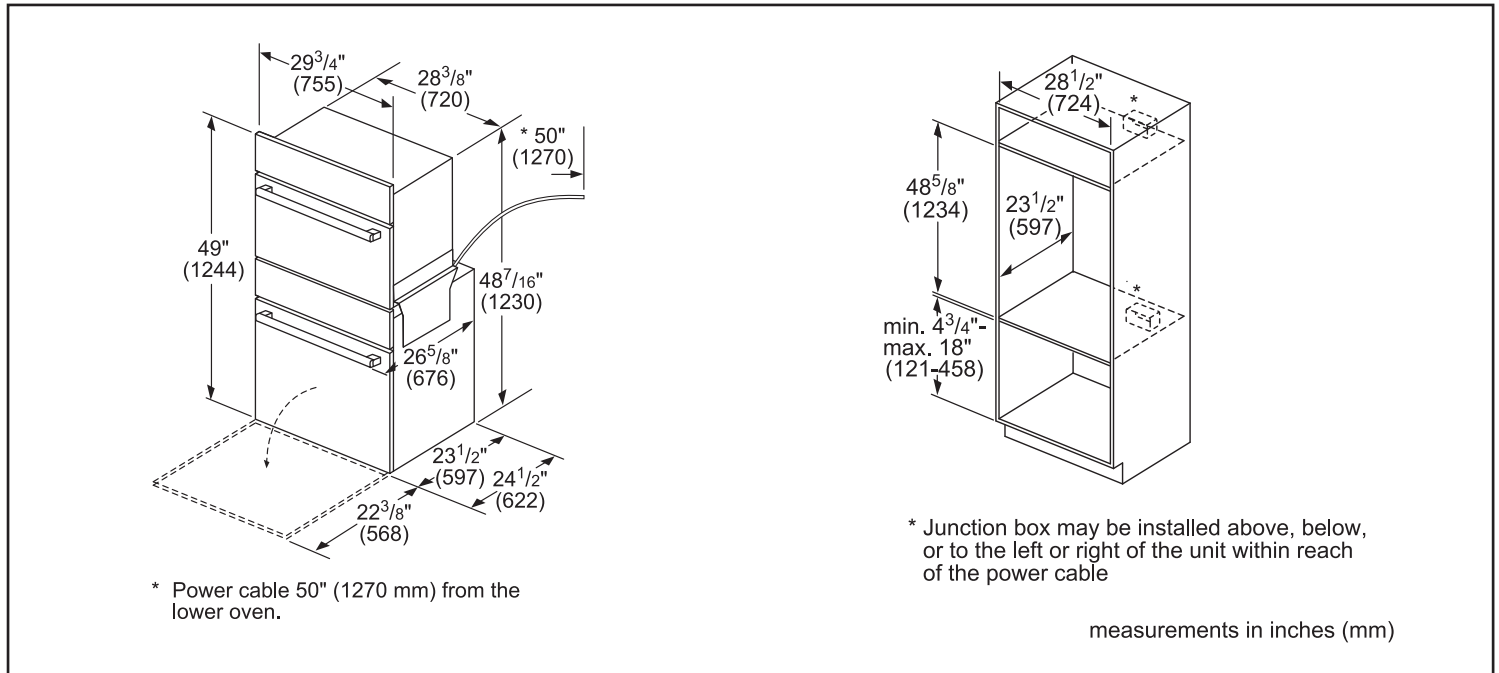
© BSH Home Appliances Corporation. All rights reserved. Bosch is a registered trademark of Robert Bosch GmbH.

30" Microwave Combination Oven

500 Series – Stainless Steel HBL57M52UC



Installation Details



Accessories: To purchase Bosch accessories, cleaners & parts please visit www.bosch-home.com/us/store or call 1-800-944-2904 (Mon to Fri 5 am to 6 pm PST, Sat 6 am to 3 pm PST).

Notes: All height, width and depth dimensions are shown in inches. BSH reserves the absolute and unrestricted right to change product materials and specifications, at any time, without notice. Consult the product's installation instructions for final dimensional data and other details prior to making cutout.

Warranties: Please see Use & Care manual or Bosch website for statement of limited warranty.

For more information on our entire line of products, go to www.bosch-home.com/us or call 1-800-944-2904

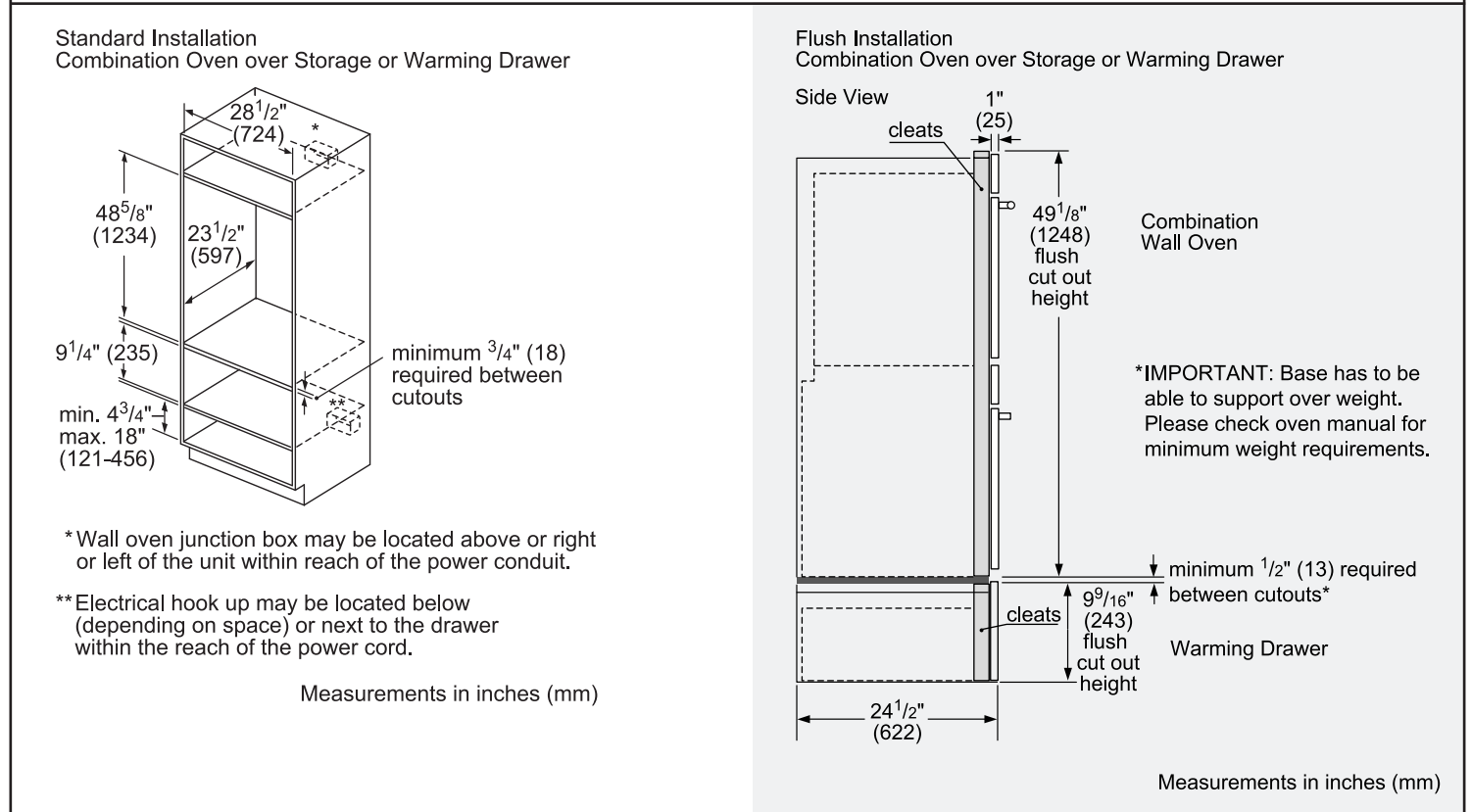
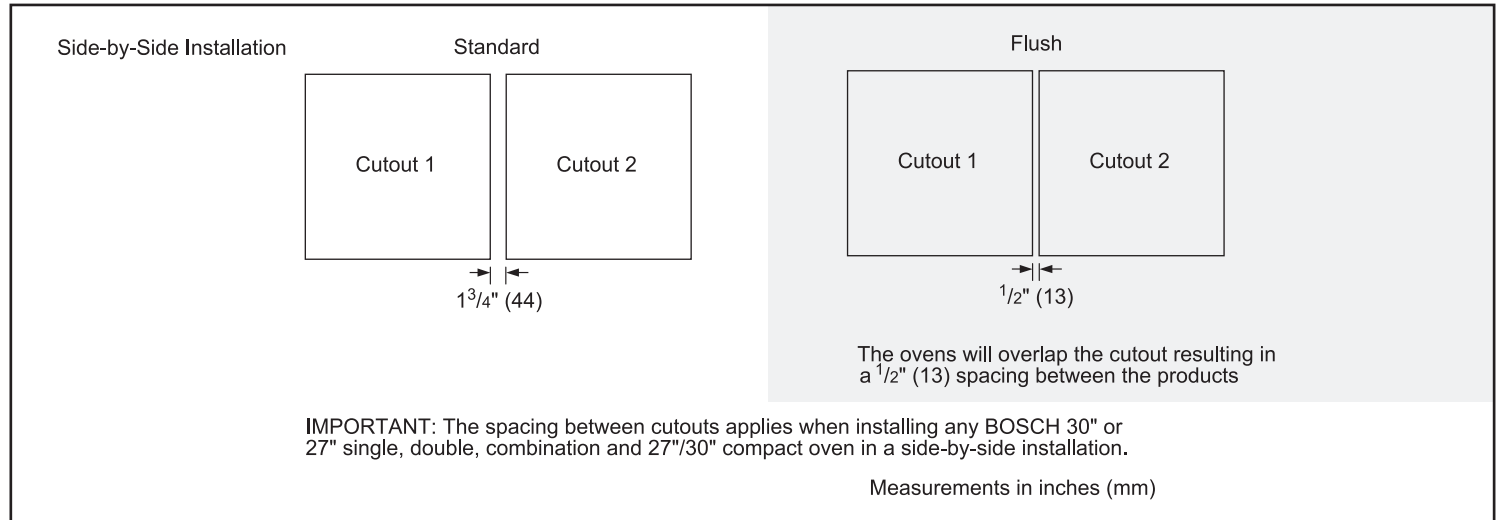
© BSH Home Appliances Corporation. All rights reserved. Bosch is a registered trademark of Robert Bosch GmbH.

30" Microwave Combination Oven

500 Series – Stainless Steel HBL57M52UC



Installation Details



Accessories: To purchase Bosch accessories, cleaners & parts please visit www.bosch-home.com/us/store or call 1-800-944-2904 (Mon to Fri 5 am to 6 pm PST, Sat 6 am to 3 pm PST).

Notes: All height, width and depth dimensions are shown in inches. BSH reserves the absolute and unrestricted right to change product materials and specifications, at any time, without notice. Consult the product's installation instructions for final dimensional data and other details prior to making cutout.

Warranties: Please see Use & Care manual or Bosch website for statement of limited warranty.

For more information on our entire line of products, go to www.bosch-home.com/us or call 1-800-944-2904

© BSH Home Appliances Corporation. All rights reserved. Bosch is a registered trademark of Robert Bosch GmbH.