

# Built-in Oven

Use and Care Manual

HBE5453UC



**BOSCH**  
Invented for life



# Table of Contents

<b>▲ Safety Definitions</b> .....	<b>3</b>	Catalytic cooking compartment panels .....	13
<b>IMPORTANT SAFETY INSTRUCTIONS</b> .....	<b>4</b>	Removing and installing the door panels .....	13
Proper Installation and Maintenance .....	4	Removing and fitting the appliance door .....	14
Fire Safety .....	4	Removing and inserting the hook-in racks .....	14
Burn Prevention .....	5	<b>Before Calling for Service</b> .....	<b>15</b>
Child Safety .....	5	Replacing the oven light bulb .....	16
Cleaning Safety .....	5	<b>Bosch® Support</b> .....	<b>17</b>
Cookware Safety .....	5	Before Calling Service .....	17
Proposition 65 Warning: .....	5	Data Plate .....	17
<b>Causes of Damage</b> .....	<b>6</b>	Service .....	17
<b>Protecting the environment</b> .....	<b>6</b>	Parts and Accessories .....	17
Tips for saving energy .....	6	<b>Tips for using your appliance</b> .....	<b>18</b>
<b>Your new appliance</b> .....	<b>7</b>	Baking .....	18
Oven .....	7	Roasting and broiling .....	19
Function selector .....	7	Tested for you in our cooking studio .....	20
Temperature selector .....	8	<b>STATEMENT OF LIMITED PRODUCT WARRANTY ..</b>	<b>21</b>
Timer .....	8	What this Warranty Covers & Who it Applies to .....	21
Accessories .....	9	How Long the Warranty Lasts .....	21
<b>Before using the oven for the first time</b> .....	<b>10</b>	Repair/Replace as Your Exclusive Remedy .....	21
Setting the time .....	10	Out of Warranty Product .....	21
Baking out the oven .....	10	Warranty Exclusions .....	21
Cleaning the accessories .....	10		
<b>Operation</b> .....	<b>10</b>		
Switching on the oven .....	10		
Kitchen timer .....	10		
Setting the automatic timer .....	11		
Basic Settings .....	11		
<b>Cleaning and maintenance</b> .....	<b>12</b>		
Cleaning agents .....	12		

Additional information on products, accessories, replacement parts and services can be found at [www.bosch-home.com](http://www.bosch-home.com) and in the online shop [www.bosch-home.com/us/store](http://www.bosch-home.com/us/store)

This Bosch Appliance is made by  
BSH Home Appliances Corporation  
1901 Main Street, Suite 600  
Irvine, CA 92614

Questions?  
1-800-944-2904  
[www.bosch-home.com/us](http://www.bosch-home.com/us)

We look forward to hearing from you!

---

## Safety Definitions

---

### WARNING

---

This indicates that death or serious injuries may occur as a result of non-observance of this warning.

---

---

### CAUTION

---

This indicates that minor or moderate injuries may occur as a result of non-observance of this warning.

---

**NOTICE:** This indicates that damage to the appliance or property may occur as a result of non-compliance with this advisory.

**Note:** This alerts you to important information and/or tips.

# **IMPORTANT SAFETY INSTRUCTIONS**

## READ AND SAVE THESE INSTRUCTIONS

---

### **WARNING**

When properly cared for, your new appliance has been designed to be safe and reliable. Read all instructions carefully before use. These precautions will reduce the risk of burns, electric shock, fire, and injury to persons. When using kitchen appliances, basic safety precautions must be followed, including those in the following pages.

---

### **Proper Installation and Maintenance**

Have the installer show you the location of the circuit breaker or fuse. Mark it for easy reference.

This appliance must be properly installed and grounded by a qualified technician. Connect only to properly grounded outlet. Refer to Installation Instructions for details.

This appliance is intended for normal family household use only. It is not approved for outdoor use. See the Statement of Limited Product Warranty. If you have any questions, contact the manufacturer.

Do not store or use corrosive chemicals, vapors, flammables or nonfood products in or near this appliance. It is specifically designed for use when heating or cooking food. The use of corrosive chemicals in heating or cleaning will damage the appliance and could result in injury.

Do not operate this appliance if it is not working properly, or if it has been damaged. Contact an authorized servicer.

Do not obstruct oven vents.

Do not repair or replace any part of the appliance unless specifically recommended in this manual. Refer all servicing to an authorized servicer.

In the event of an error the display flashes and beeps continuously. Disconnect appliance from the power supply and call an authorized servicer.

---

### **WARNING**

When removing the door make sure oven is cool and power to the oven has been turned off before removing the door. Failure to do so could result in burns.

---

The oven door is heavy and fragile. Use both hands to remove the oven door. The door front is glass. Handle carefully to avoid breaking.

Grasp only the sides of the oven door. Do not grasp the handle as it may swing in your hand and cause injury or damage.

Failure to grasp the oven door firmly and properly could result in personal injury or product damage.

Lay the door on a flat smooth surface so that the door cannot fall over. Failure to do so may result in personal injury or damage to the appliance.

---

### **WARNING**

To avoid injury from hinge bracket snapping closed, be sure that both levers are securely in place before removing door. Also, do not force door open or closed - the hinge could be damaged and injury could result.

---

---

### **WARNING**

Make sure the appliance and lights are cool and power to the appliance has been turned off before replacing the light bulb(s). Failure to do so could result in electrical shock or burns. The lenses (if equipped) must be in place when using the appliance. The lenses (if equipped) serve to protect the light bulb from breaking. The lenses (if equipped) are made of glass. Handle carefully to avoid breaking. Broken glass can cause an injury.

---

---

### **WARNING**

Light socket is live when door is open if main power supply is not turned off.

---

### **Fire Safety**

---

### **WARNING**

NEVER cover any slots, holes or passages in the oven bottom or cover an entire rack with materials such as aluminum foil. Doing so blocks air flow through the oven. Aluminum foil linings may also trap heat, causing a fire hazard.

---

If materials inside an oven or warming drawer should ignite, keep door closed. Turn off the appliance and disconnect the circuit at the circuit breaker box.

---

---

### **WARNING**

Use this appliance only for its intended use as described in this manual. NEVER use this appliance as a space heater to heat or warm the room. Doing so may result in overheating the appliance. Never use the appliance for storage.

---

Always have a working smoke detector near the kitchen. In the event that personal clothing or hair catches fire, drop and roll immediately to extinguish flames.

Have an appropriate fire extinguisher available, nearby, highly visible and easily accessible near the appliance. Smother flames from food fires other than grease fires with baking soda. Never use water on cooking fires.

# **IMPORTANT SAFETY INSTRUCTIONS**

## READ AND SAVE THESE INSTRUCTIONS

---

### **WARNING**

---

TO REDUCE THE RISK OF INJURY TO PERSONS IN THE EVENT OF A GREASE FIRE, OBSERVE THE FOLLOWING:

- a. **SMOTHER FLAMES** with a close-fitting lid, cookie sheet, or metal tray, then turn off the burner. **BE CAREFUL TO PREVENT BURNS.** If the flames do not go out immediately, **EVACUATE AND CALL THE FIRE DEPARTMENT.**
  - b. **NEVER PICK UP A FLAMING PAN** – You may be burned.
  - c. **DO NOT USE WATER**, including wet dishcloths or towels – a violent steam explosion will result.
  - d. Use an extinguisher **ONLY** if:
    - You know you have a Class ABC extinguisher, and you already know how to operate it.
    - The fire is small and contained in the area where it started.
    - The fire department is being called.
    - You can fight the fire with your back to an exit.
- 

### **Burn Prevention**

**DO NOT TOUCH HEATING ELEMENTS OR INTERIOR SURFACES OF OVEN** - Heating elements may be hot even though they are dark in color. Interior surfaces of an oven become hot enough to cause burns. During and after use, do not touch, or let clothing, potholders, or other flammable materials contact heating elements or interior surfaces of oven until they have had sufficient time to cool. Other surfaces of the appliance may become hot enough to cause burns. Among these surfaces are oven vent openings, surfaces near these openings and oven doors.

Exercise caution when opening the appliance. Standing to the side, open the door (or drawer) slowly and slightly to let hot air and/or steam escape. Keep your face clear of the opening and make sure there are no children or pets near the unit. After the release of hot air and/or steam, proceed with your cooking. Keep doors shut unless necessary for cooking or cleaning purposes. Do not leave open doors unattended.

Do not heat or warm unopened food containers. Build-up of pressure may cause the container to burst and cause injury.

Use caution when cooking foods with high alcohol content (e.g. rum, brandy, bourbon) in the oven. Alcohol evaporates at high temperatures. There is a risk of burning as the alcohol vapors may catch fire in the oven. Use only small quantities of alcohol in foods, and open the oven door carefully.

Always place oven racks in desired location while oven is cool. Always use oven mitts, when the oven is warm. If a rack must be moved while oven is hot, do not let potholder contact the heating elements.

---

### **CAUTION**

---

To avoid possible injury or damage to the appliance, ensure rack is installed exactly per installation instructions and not backwards or upside down.

---

Always use dry potholders. Moist or damp potholders on hot surfaces may result in burns from steam. Do not let potholder touch hot heating elements. Do not use a towel or other bulky cloth.

Secure all loose garments, etc. before beginning. Tie long hair so that it does not hang loose, and do not wear loose fitting clothing or hanging garments, such as ties, scarves, jewelry, or dangling sleeves.

### **Child Safety**

When children become old enough to use the appliance, it is the responsibility of the parents or legal guardians to ensure that they are instructed in safe practices by qualified persons.

Do not allow anyone to climb, stand, lean, sit, or hang on any part of an appliance, especially a door, warming drawer, or storage drawer. This can damage the appliance, and the unit may tip over, potentially causing severe injury.

Do not allow children to use this appliance unless closely supervised by an adult. Children and pets should not be left alone or unattended in the area where the appliance is in use. They should never be allowed to play in its vicinity, whether or not the appliance is in use.

---

### **CAUTION**

---

Items of interest to children should not be stored in an appliance, in cabinets above an appliance or on the backsplash. Children climbing on an appliance to reach items could be seriously injured.

---

### **Cleaning Safety**

Keep oven free from grease build up.

### **Cookware Safety**

**NOTICE:** Do not place food directly on oven bottom. Follow the manufacturer's directions when using cooking or roasting bags.

Do not place cookware on open oven door.

### **Proposition 65 Warning:**

This product may contain a chemical known to the State of California, which can cause cancer or reproductive harm. Therefore, the packaging of your product may bear the following label as required by California:

**STATE OF CALIFORNIA PROPOSITION 65 WARNING:**

 **WARNING**

Cancer and Reproductive Harm - [www.P65Warnings.ca.gov](http://www.P65Warnings.ca.gov)



---

# Causes of Damage

## NOTICES:

- Accessories, foil, baking paper or cookware on the bottom of the oven interior: do not place any accessories on the bottom of the oven interior. Do not line the bottom of the oven interior with any type of foil or baking paper. Do not place cookware on the bottom of the oven interior when a temperature above 122°F (50 °C) is set. This produces a build-up of heat. Baking and roasting times are no longer correct and the enamel is damaged.
- Water in the hot oven interior: Never pour water into the hot oven interior. Steam is produced. Damage to the enamel can arise due to the temperature change.
- Do not leave moist groceries in a closed oven for an extended period of time. It can lead to corrosion inside the oven.
- Fruit juice can leave stains in the oven. Always remove fruit juice immediately and wipe up first with a damp and then a dry cloth. Cool oven first to avoid steam burns from wet dish cloth.
- Cooling with the appliance door open: only allow the oven cavity to cool when it is closed. Even if the appliance door is only open a little, front panels of adjacent units could be damaged over time.
- Highly soiled door seal: the appliance door will no longer close properly during operation if the door seal is highly soiled. Adjoining furniture fronts may be damaged. Always keep the door seal clean.
- Appliance door as a seat or storage surface: do not stand, sit or hang on the appliance door. Do not place any cookware or accessories on the appliance door.
- Inserting accessories: depending on the appliance type, accessories can scratch the door pane when closing the appliance door. Always slide accessories fully into the oven interior.
- Do not hold or carry the appliance by the door handle. The door handle cannot carry the weight of the device and could break off.

---

# Protecting the environment

Unpack the appliance and dispose of the packaging in an environmentally friendly manner.

## Tips for saving energy

- Open the appliance door as little as possible while cooking, baking or roasting.
- Use dark, black-painted or enameled baking forms. These absorb the heat particularly well.
- It is best to bake several cakes in succession. The oven is still warm. This shortens the baking time for the second cake. You can also slide in two loaf tins next to each other.
- In the hot air mode, you can bake simultaneously on several levels.
- For longer cooking times, you can switch off the oven 10 minutes before the end of the cooking time and you can use the residual heat to finish cooking.

# Your new appliance

Get to know your appliance. You will find information on the control panel, the oven, types of heating and accessories.

## Oven

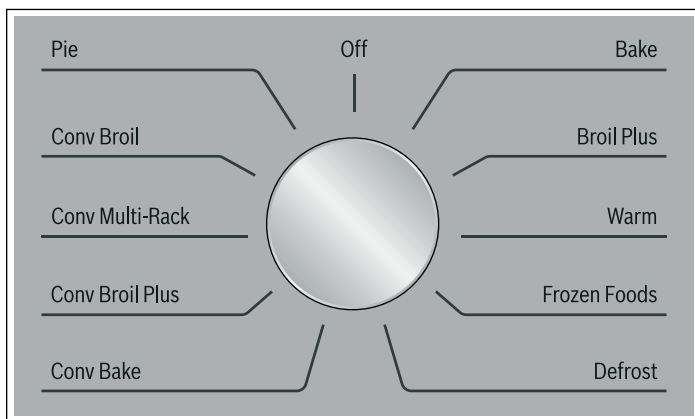


1	Temperature selector
2	Function lamp
3	Function selector
4	Display and function buttons

**NOTICE:** Do not place food directly on oven bottom. Do not obstruct oven vents.

## Function selector

Use the function selector to set the type of heating.



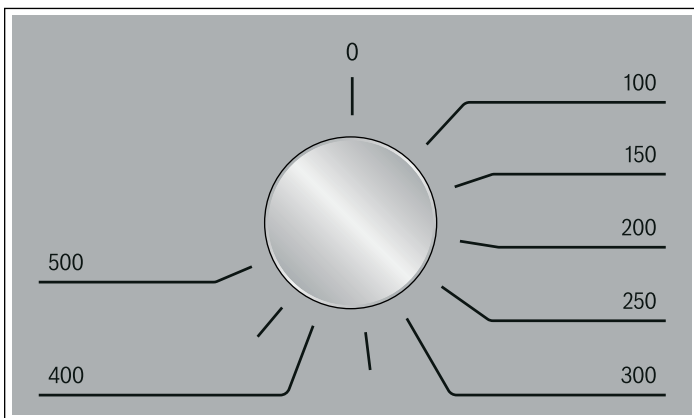
Position	Use
Off	The oven is turned off.
Bake	For cakes, casseroles and lean roast pieces. The heat comes evenly from the upper and lower heating elements.
Broil Plus	The heat coming from the broil element gives perfect broiling results above all for thin and medium thickness meat and in combination with the rotisserie (where present) gives the food an even browning at the end of cooking. Perfect for sausages, ribs and bacon. This function enables large quantities of food, particularly meat, to be broiled evenly.
Warm	The heat coming just from the bottom allows you to complete the cooking of foods that require a higher bottom temperature, without affecting their browning. Perfect for cakes, pies, tarts and pizzas.
Frozen Foods	The combination of fan-assisted cooking and traditional cooking allows different foods to be cooked on several levels extremely quickly and efficiently. Perfect for large volumes that call for intense cooking, useful not only for frozen, but also for fresh food.
Defrost	Rapid defrosting is helped by switching on the fan provided and the top heating element that ensure uniform distribution of low temperature air inside the oven.
Conv Bake	The operation of the fan, combined with traditional cooking, ensures uniform cooking even with complex recipes. Perfect for every type of food, even when simultaneously cooked on several levels.
Conv Broil Plus	The air produced by the fan softens the strong heatwave generated by the broil element, broiling perfectly even very thick foods. Perfect for large cuts of meat.
Conv Multi-Rack	The combination of the fan and the circular element (incorporated in the rear of the oven) allows you to cook different foods on several levels, as long as they need the same temperatures and same type of cooking. Hot air circulation ensures instant and uniform distribution of heat. For multiple level cooking we recommend using 2nd and 4th shelves.

Position	Use
Conv Broil	Through the combined action of the fan and the heat of the central element only, this function is perfect for rapid cooking and cooking au gratin of small quantities of food (particularly meats), by bringing together the dietary advantages of broiling and the even cooking of the fan.
Pie	The combination of the fan with lower heating and a little of top heating element allows cooking to be completed more rapidly. Perfect for any type of food, but in particular for pie and cakes.

**Note:** When you set the heating function, the oven light in the cooking compartment switches on.

## Temperature selector

Set the temperature using the temperature selector.



Position	Meaning
0	Off The oven does not heat.
100-500	Temperature range The temperature in the cooking compartment in °F.

The indicator light is lit when the oven is heating up. It goes out as soon as the set temperature has been reached.

## Timer

You can control your oven with the timer. This way you can select the time at which the oven should switch on or at which the timer should end the baking or cooking process. The timer can also be used as a short-term timer.



### Function buttons

Symbol	Meaning	Use
<b>TIMERS</b>	Timer functions	Set duration or cooking time
-	Minus	Reduce duration or cooking time
+	Plus	Increase duration or cooking time

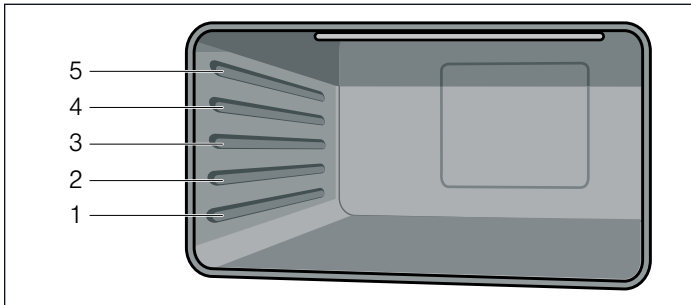
### Display symbols

Symbol	Meaning
00:00	Time / Cooking time / End time / Kitchen timer
	Oven is ready for operation.
auto	A cooking time duration / Cooking time duration with end time is programmed
	The kitchen timer is active
AM/PM	Time display: 12 h format To change to 24 h format, see the section "Adjusting the time"



## Accessories

The accessories can be inserted into the cooking compartment at 5 different levels. Always insert them as far as they will go so that the accessories do not touch the door panel. Ensure that you always insert the accessories into the cooking compartment correctly.

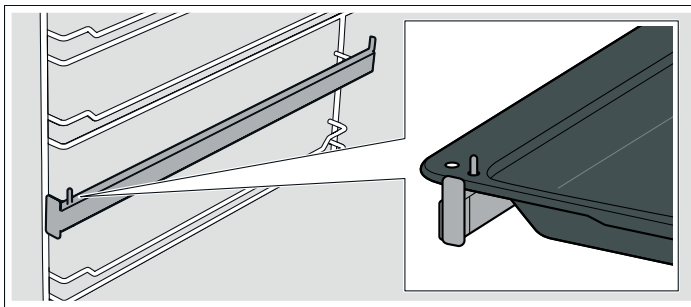


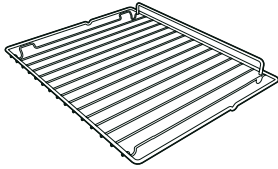
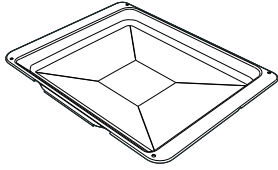
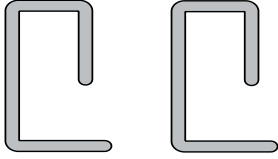
You can pull out the accessories two thirds of the way without them tipping. This allows meals to be removed easily.

The accessories may become deformed when they become hot. As soon as they have cooled down, the deformation disappears with no effect on the function.

You can buy accessories from customer service, from specialist retailers or online.

The pull-out rails allow you to pull accessories out completely.



Accessories	Explanation
	<b>Baking and roasting shelf</b> For ovenware, cake tins, roasts, broiled items, frozen meals.
	<b>Enamel baking tray</b> For moist cakes, pastries, frozen meals and large roasts. Can also be used as a drip tray to collect run-off fat.
	<b>Locking pins</b> For locking the hinges.

---

## Before using the oven for the first time

In this section, you can find out what you must do before using your oven to prepare food for the first time. Read the *Safety information* section beforehand.

Remove the appliance packaging and dispose of it appropriately.

### Setting the time

After connecting the oven or after a power failure, **0:00** and **auto** will blink on the display.

1. Hold the TIMERS button down until the colon blinks on the display.
2. Set the current time with the **+** and **-** buttons. Hold the **+** or **-** button down to change the value faster.

The time set is taken over after 5 seconds.

### Setting the time during operation

1. Hold the **+** and **-** button down until the colon blinks on the display.
2. Set the current time with the **+** and **-** buttons. Hold the **+** or **-** button down to change the value faster.

The time set is taken over after 5 seconds.

### Baking out the oven

#### Pre-cleaning the oven

1. Remove the accessories and the hook-in racks from the cooking compartment.
2. Completely remove any leftover packaging, e.g. small pieces of polystyrene, from the cooking compartment.

---

## Operation

### Switching on the oven

1. Use the function selector to set the type of heating.
2. Use the temperature selector to set the temperature.

The oven begins to heat up.

### Switching off the oven

Turn the function selector and temperature selector to the off position.

### Changing settings

The heating function and temperature or broil setting can be changed at any time using their respective selectors.

### Heating up

In order to heat up the cooking compartment as quickly as possible, use the "Conv Bake" heating type. When the set temperature has been reached (indicator light lights up continuously and signal sounds), set the desired heating type.

3. Some parts are covered with a protective film. Remove this scratch protection film.
4. Clean the outside of the appliance with a soft, damp cloth.
5. Clean the cooking compartment with hot soapy water.

### Heating up the oven

To remove the new smell, heat up the oven when it is empty and closed.

1. Turn the function selector to the Bake operating mode.
2. Turn the temperature selector to the maximum temperature.
3. Switch the oven off after 40 minutes.

### Re-cleaning the oven


1. Clean the cooking compartment with hot soapy water.
2. Refit the hook-in racks.

### Cleaning the accessories


Before using the accessories, clean them thoroughly using a cloth and warm soapy water.


### Kitchen timer

The short-term timer has no influence on the functioning of the oven. The duration of the short-term timer can be set from 1 minute to 23 hours and 59 minutes.


1. Hold the TIMERS button down until the  blinks and **0:00** is displayed.

2. Set the desired duration with the **+** and **-** buttons. The set time is taken over after 5 seconds.

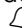
After the time has elapsed, a signal sounds and the  symbol blinks.

**Note:** While the short-term timer is running, the time is displayed and the  symbol lights up continuously.

#### Changing the set time:

To change the remaining time, hold the TIMERS button down until the  symbol blinks on the display. Then change the remaining time with the **+** and **-** buttons.

#### Canceling the short-term timer

To delete the setting, hold the TIMERS button down until the  symbol blinks on the display. Then press the **+** and **-** buttons simultaneously.

### Switching the signal tone off

Hold the TIMERS button down until the clock disappears. After seven minutes, the signal switches off automatically.

### Setting the automatic timer

With the TIMER function, you can set an operating time duration or program a start and end time.

#### Automatic switch-off

1. Press the TIMERS button down until the 🔔 symbol blinks.
2. Press the TIMERS button again.  
On the display, **auto** and **dur** blink.
3. Use the **+** and **-** buttons to set the operating time duration.  
The operating time duration can be set from 1 minute to 10 hours.
4. Set the desired heating type and temperature.  
The oven starts. The 🔥 and **auto** signals light up on the display, the current time is displayed.

#### The operating time duration has elapsed

A signal sounds, **auto** blinks on the display.

1. Switch off the temperature selector and function selector.
2. Hold the TIMERS button down until the 🔥 symbol appears.  
The oven switches back to manual mode.

#### Canceling the operating time duration

To delete the setting, hold the TIMERS button down until the 🔔 symbol blinks on the display. Then press the **+** and **-** buttons simultaneously.

#### Automatic switch-on and switch-off

Baking or roasting starts for the set duration at a later time which you chose.

1. Press the TIMERS button down until the 🔔 symbol blinks.
2. Press the TIMERS button again.  
On the display, **auto** and **dur** blink.
3. Use the **+** and **-** buttons to set the operating time duration.  
The operating time duration can be set from 1 minute to 10 hours.
4. Press the TIMERS button again. **auto** and the 🔥 symbol blink on the display.  
The end time for the programmed operating time duration is displayed.
5. Adjust the end time with the **+** and **-** buttons.  
The end time can be set up to 23 hours and 59 minutes.  
The oven calculates the start time. After 5 seconds, the time set is taken over.  
The 🔥 and **auto** signals go out, the current time is displayed.

6. Set the desired heating type and temperature.  
The oven will begin to heat at the calculated start time.  
On the display, the 🔥 and **auto** symbols light up.

#### The operating time duration has elapsed

A signal sounds, **auto** blinks on the display.

1. Switch off the temperature selector and function selector.
2. Hold the TIMERS button down until the 🔥 symbol appears.  
The oven switches back to manual mode.

#### Canceling the operating time duration

To delete the setting, hold the TIMERS button down until the 🔔 symbol blinks on the display. Then press the **+** and **-** buttons simultaneously.

### Basic Settings

You can always make the following basic settings:

Basic setting	Options
Acoustic signal	<ul style="list-style-type: none"><li>• quiet</li><li>• middle</li><li>• loud*</li></ul>
Time format	<ul style="list-style-type: none"><li>• 24 h*</li><li>• 12 h am/pm</li></ul>

\* Factory setting

#### Adjust the signal volume

The oven must be switched off.

1. Hold the **+** and **-** button down until the colon blinks on the display.
2. Press the TIMERS button again.  
**Signal** appears on the display.
3. Press the **-** button repeatedly until the required volume is reached.

#### Changing the time format

The oven must be switched off.

Press and hold the **+** button for 3 seconds. **AM/PM** appears on the display. To change to the 24 h time format, hold the **+** button down again for 3 seconds.

# Cleaning and maintenance

With good care and cleaning, your oven will remain clean and fully-functioning for a long time to come. Here we will explain how to maintain and clean your oven correctly.

## Notes

- Slight differences in the colors on the front of the oven are caused by the use of different materials, such as glass, plastic and metal.
- Shadows on the door panel that look like streaks, are caused by reflections made by the oven light.
- Enamel is baked on at very high temperatures. This can cause some slight color variation. This is normal and does not affect operation. The edges of thin trays cannot be completely enameled. As a result, these edges can be rough. This will not impair the anti-corrosion protection.

---

### ⚠ WARNING

#### RISK OF ELECTRICAL SHOCK

Moisture entering the appliance can cause an electrical shock. Don't use a high-pressure cleaner or steam cleaner.

---

---

### ⚠ WARNING

#### RISK OF BURNS

The appliance becomes very hot. Never touch the hot inside surfaces of the oven interior or heating elements. Always allow the appliance to cool down. Keep children away.

---

## Cleaning agents

Observe the following information to ensure that the different surfaces are not damaged by using the wrong type of cleaning agent.

Do not use:

- any harsh or abrasive cleaning agents,
- cleaning agents with a high concentration of alcohol,
- hard scouring pads or sponges,
- high-pressure cleaners or steam cleaners.

Wash new sponge cloths thoroughly before use.

Area	Cleaning agents
Appliance exterior	Hot soapy water: Clean with a dish cloth and dry with a soft cloth. Do not use glass cleaner or a glass scraper.
Stainless steel	Hot soapy water: Clean with a dish cloth and dry with a soft cloth. Remove flecks of lime scale, grease, starch and albumin (e.g. egg white) immediately. Corrosion can form under such flecks. Special stainless steel cleaning products suitable for hot surfaces are available from our customer service or from specialist retailers. Apply a very thin layer of the cleaning product with a soft cloth.
Aluminum and plastic	Glass cleaner: Clean with a soft cloth.
Enamel surfaces (smooth surfaces)	To facilitate cleaning, you can switch on the interior lighting and detach the appliance door if necessary. Apply commercially available dish-washing liquid or a vinegar solution with a soft, damp cloth or chamois; dry with a soft cloth. Soften baked-on food residues with a damp cloth and detergent. Leave the cooking compartment open to dry after cleaning.
Self-cleaning surfaces (rough surfaces)	Please see the notes in section: Self-cleaning surfaces
Door panels	Glass cleaner: Clean with a soft cloth. Do not use a glass scraper.
Glass cover for the oven light	Hot soapy water: Clean with a dish cloth.
Seal Do not remove.	Hot soapy water: Clean with a dish cloth. Do not scour.
Rails	Hot soapy water: Soak and clean with a dish cloth or brush.
Accessories	Hot soapy water: Soak and clean with a dish cloth or brush.

## Catalytic cooking compartment panels

The catalytic cooking compartment panels are coated with self-cleaning enamel.

The surfaces clean themselves while the oven is in operation. Larger splashes will only be removed after the oven has been used several times.

### Self-cleaning surfaces

The rear and side walls are covered with catalytic paneling. So not use oven cleaner on the catalytic panels. Slight discoloration of the enamel does not affect self-cleaning.

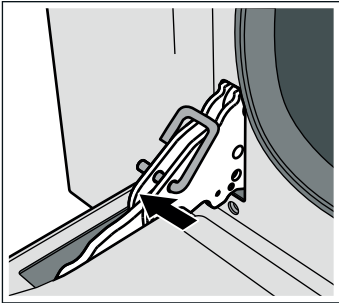
## Removing and installing the door panels

To facilitate cleaning, you can remove the glass panels from the oven door.

### Removing the door panels

1. Open the oven door fully.
2. Lock both hinges on the left and right using a locking pin.

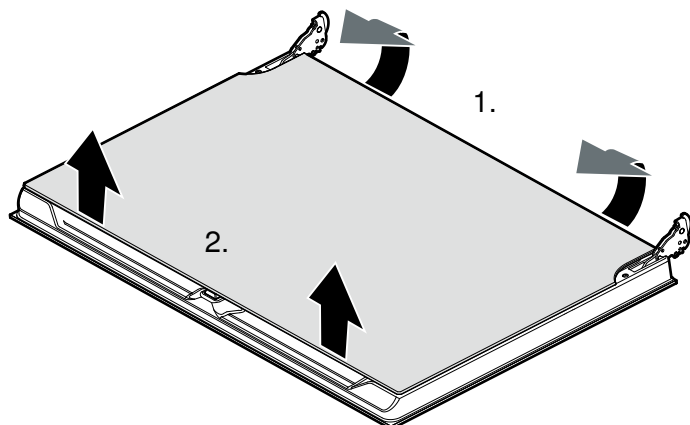
**Note:** The locking pins must be fully inserted into the holes in the hinges.



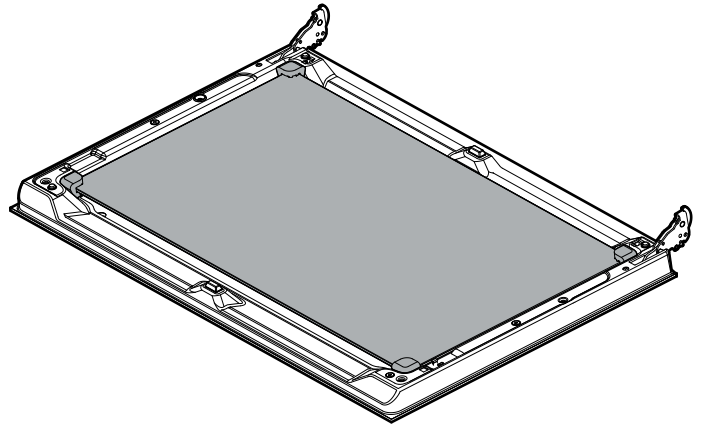
3. Lift the bottom of the inner panel slightly until the fastening pins come out of the holder (1).
4. Carefully lift the top of the inner panel until the fastening pins come out of the holder (2).

### ⚠ CAUTION

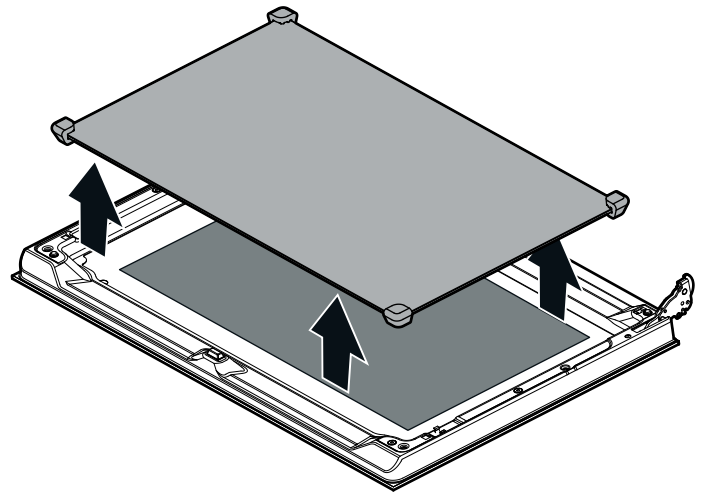
When lifting the inner panel, the middle panel may stick to the inner panel. Make sure that the middle panel does not fall.



5. Remove the inner panel.
6. Remove the middle panel.



**Note:** The middle panel is kept in place with rubber bushings rather than retaining pins.



Clean the panels with glass cleaner and a soft cloth.

### ⚠ WARNING

#### RISK OF INJURY

Scratched glass in the appliance door can burst. Do not use any glass scrapers or strong or abrasive cleaning agents.

### Fitting the door panels

1. Reinsert the middle panel.

**Note:** Make sure that the panel is seated correctly. All rubber bushings must lay flat against the outer panel.

2. Reinsert the inner panel.

**Note:** All four fastening pins must engage in the holders provided for them.

3. Remove the locking pins and close the oven door.



## Removing and fitting the appliance door

In case of especially heavy soiling, the oven door can be removed for better cleaning. Normally, however, this is not necessary.

### ⚠ CAUTION

WHEN REMOVING THE OVEN DOOR:

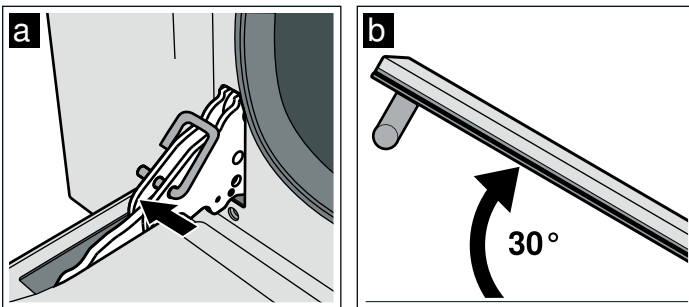
- Make sure oven is cool and power to the oven has been turned off before removing the door. Failure to do so could result in electrical shock or burns.
- The oven door is heavy and parts of it are fragile. Use both hands to remove the oven door. The door front includes glass components. Handle carefully to avoid breakage.
- Grasp only the sides of the oven door. Do not grasp the handle as it may swing in your hand and cause damage or injury.
- Failure to grasp the oven door firmly and properly could result in personal injury or product damage.
- To avoid injury from hinge bracket snapping closed, be sure that both locking levers are securely in place before removing the door. Also, do not force the oven door open or closed - the hinge could be damaged and injury could result.
- Do not lay the removed door on sharp or pointed objects as this could break the glass. Lay the door on a flat, smooth surface, positioned so that the door cannot fall over.

### Removing the appliance door

1. Open the oven door fully.
2. Lock both hinges on the left and right using a locking pin (a).

**Note:** The locking pins must be fully inserted into the holes in the hinges.

3. Grip the oven door on either side with both hands and close the oven door by approx. 30° (b).



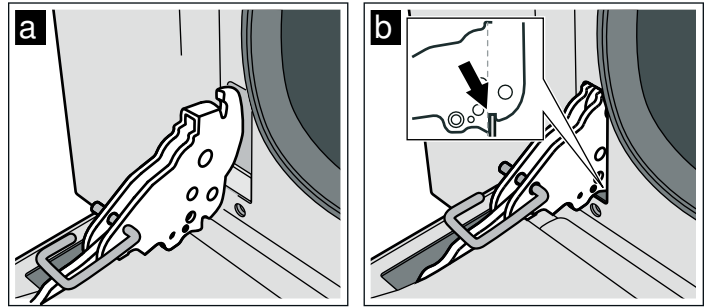
4. Raise the oven door slightly and pull it out.

**Note:** Do not fully close the oven door. The hinges could become bent and the enamel could be damaged.

### Fitting the appliance door

1. Grip the oven door on either side with both hands.
2. Slide the hinges into the slots in the oven (a).

**Note:** The notch below the hinges must engage into the frame of the oven (b).



3. Lower the door downwards.
4. Remove the locking pins.

### ⚠ WARNING

#### RISK OF INJURY

Do not touch the hinge if the oven door falls out unintentionally or a hinge snaps closed. Call customer service.

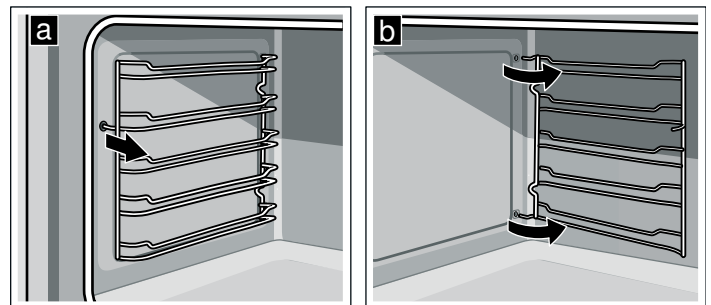
## Removing and inserting the hook-in racks

You can remove the hook-in racks for easier cleaning.

### Removing the hook-in racks

The hook-in racks are each fixed to the side panels of the cooking compartment at three points.

1. Grip the front of the hook-in rack and pull it to the middle of the cooking compartment. The front hook of the hook-in rack will release from the hole.
2. Fold out the hook-in rack further and pull it from the rear holes of the side panel.
3. Hold the catalytic cooking compartment panel in place.
4. Remove the hook-in rack from the cooking compartment.



### Inserting the hook-in rack

1. Hold the catalytic cooking compartment panel in place.
2. Insert the hooks of the hook-in rack into the rear holes in the side panel.
3. Press the front hook of the hook-in rack into the hole.

# Before Calling for Service

Before calling Customer Service, consider the suggestions and instructions below:

## ▲ WARNING

### RISK OF ELECTRIC SHOCK

Incorrect repairs are dangerous. Repairs must only be carried out by one of our trained customer service technicians.

Incorrect repairs to your appliance may present considerable risks for the user.

Fault	Possible cause	Notes/remedy
The appliance does not work.	Faulty fuse	Look in the fuse box and check that the circuit breaker for the range is in working order.
	Power failure	Check whether the kitchen light works.
The oven cannot be switched off.	Electronics are faulty	Switch off the circuit breaker. Call customer service.
The clock display flashes.	Power failure	Reset the clock.
The oven does not heat.	Faulty fuse	Check the fuse and replace if necessary.
	Function selector not set	Set the function selector.
The door glass is broken.		Switch off the appliance. Call customer service.
Fruit juice or albumen stains on enameled surfaces.	Moist cake or meat juices	Harmless change in the enamel, cannot be removed.
The oven stops operating in the middle of a program, and the cooling fan continues to run at high speed even when function selector is set to <b>Off</b> position.	Problem with thermostat	1. Set function selector to <b>Off</b> position. The cooling fan continues to run at high speed.
		2. Wait for 10 seconds.
		3. Set function selector to a new position.
		<b>If the error occurs again when setting a new function:</b> Disconnect the oven from power supply, then reconnect power supply.
		<b>If the error occurs again after reconnecting power supply:</b> Call customer service.

## Replacing the oven light bulb

If the oven light bulb fails, it must be replaced. Replacement heat-resistant bulbs can be obtained from customer service or from specialist retailers. Please supply your appliance's E number and FD number. Do not use any other type of bulb.

---

### ⚠ CAUTION

---

#### WHEN REPLACING AN OVEN LIGHT:

- Make sure the appliance and lights are cool and power to the appliance has been turned off before replacing the light bulb(s). Failure to do so could result in electrical shock or burns.
- The lenses must be in place when using the appliance.
- The lenses serve to protect the light bulb from breaking.
- The lenses are made of glass. Handle carefully to avoid breaking. Broken glass could cause an injury.
- Light socket is live when door is open.

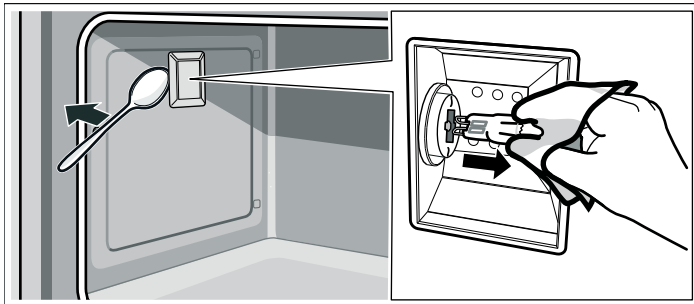
---

### ⚠ WARNING

---

Light socket is live when door is open if main power supply is not turned off.

1. Unplug the appliance from the mains or switch off the circuit breaker in the fuse box.
2. Allow the cooking compartment to cool down.
3. Open the appliance door.
4. Place a tea towel in the cooking compartment to prevent damage.
5. Remove the hook-in racks.
6. Remove the glass cover. To do this, open the glass cover at the front with your hand. Should you experience difficulties removing the glass cover, use a spoon to help.
7. Remove the oven light bulb.



8. Replace the oven light bulb with a bulb of the same type:

**Voltage (V):** 120 V;

**Power:** 40 W;

**Socket:** G9

**Temperature resistance:** 570° F (300 °C)

9. Refit the glass cover for the oven light bulb.
10. Refit the hook-in racks.
11. Remove the tea towel.
12. Switch the circuit breaker back on.
13. Check that the oven lighting is working again.

# Bosch® Support

## Before Calling Service

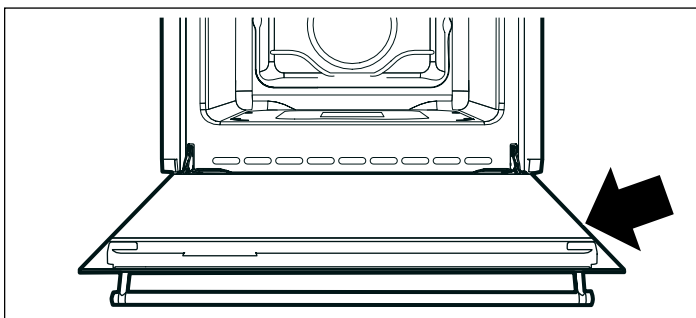
See the Use and Care Manual for troubleshooting information. Refer to the “Statement of Limited Product Warranty” in the Use and Care Manual.

To reach a service representative, see the contact information at the front of the manual or in the following section. Please be prepared with the information printed on your product rating label prior to calling.

## Data Plate

The data plate shows the model and serial number. Refer to the data plate on the appliance when requesting service.

The data plate can be found at the right side of the appliance door.



To avoid having to search for each piece of information when calling, you can enter the four items needed in the spaces provided below.

---

**Model No.**

---

**FD-No.**

---

**Date of Purchase**

---

**Customer Service** ☎

---

Keep your invoice or escrow papers for warranty validation if service is needed.

## Service

We realize that you have made a considerable investment in your kitchen. We are dedicated to supporting you and your appliance so that you have many years of creative cooking.

Please don't hesitate to contact our Customer Support Department if you have any questions or in the unlikely event that your Bosch® appliance needs service. Our service team is ready to assist you.

### USA

800-944-2904

[www.bosch-home.com/us/support](http://www.bosch-home.com/us/support)

### Canada

800-944-2904

[www.bosch-home.ca/en/support](http://www.bosch-home.ca/en/support)

## Parts and Accessories

Parts, filters, descalers, stainless steel cleaners and more can be purchased in the Bosch® eShop or by phone.

### USA

[www.bosch-home.com/us/store](http://www.bosch-home.com/us/store)

### Canada

Marcone 800-482-6022

or

Reliable Parts 800-941-9217

# Tips for using your appliance

Here you will find a selection of tips about cookware and preparation methods.

## Notes

- Use the accessories provided. Additional accessories may be obtained as optional accessories from specialist retailers or from customer service. Before using the oven, remove any unnecessary accessories and cookware from the cooking compartment.

## Baking tips

How to tell whether sponge cake is baked through.	Approx. 10 minutes before the end of the baking time stated in the recipe, insert a toothpick into the cake at its deepest point. If the toothpick comes out clean, the cake is ready.
The cake collapses.	Use less fluid next time or set the oven temperature 50°F (10°C) lower. Observe the specified mixing times in the recipe.
The cake has risen in the middle but is lower around the edge.	Do not grease the sides of the springform cake tin. After baking, loosen the cake carefully with a knife.
The cake browns too much on top.	Place it lower in the oven, select a lower temperature and bake the cake for a little longer.
The cake is too dry.	When it is done, make small holes in the cake using a toothpick. Then drizzle fruit juice or an alcoholic beverage over it. Next time, set the temperature 50°F (10°C) higher and reduce the baking time.
The bread or cake (e.g. cheese-cake) looks good but is sticky on the inside (soggy with wet streaks).	Use slightly less fluid next time and bake for slightly longer at a lower temperature. For cakes with a moist topping, bake the base first. Sprinkle it with almonds or bread crumbs and then place the topping on top. Please follow the recipe and baking times.
The cake is unevenly browned.	Select a slightly lower temperature to ensure that the cake is baked more evenly. Excess greaseproof paper can affect the air circulation. For this reason, always trim greaseproof paper to fit the baking tray.
The bottom of a cake topped with fruit is too light.	Place the cake one level lower the next time.
The fruit juice overflows.	Next time, use the deeper universal pan, if you have one.
Small baked items made out of yeast dough stick to one another during baking.	There should be a gap of approx. 2 cm around each item. This gives enough space for the baked items to expand and turn brown on all sides.
Condensation forms when you bake moist cakes.	Baking may create water vapor, which escapes above the door. The steam may settle and form water droplets on the control panel or on the fronts of adjacent units. This is a natural process.

- Always use oven gloves when taking hot accessories or cookware out of the cooking compartment.

## Baking

### Baking tins

- Use light-colored baking tins and trays wherever possible.
- Always place the baking tins on the middle of the baking and roasting wire rack.



## Roasting and broiling

### Cookware

You may use any heat-resistant cookware. Always place the cookware in the center of the wire rack. The enameled baking tray is also suitable for large roasts.

### Roasting tips

- A lower temperature results in more even browning.
- Depending on the size of the meat, add 2 or 3 tablespoons of liquid to lean meat and 8 to 10 tablespoons of liquid to pot roasts.
- When cooking duck or goose, pierce the skin on the underside of the wings to allow the fat to run out.
- Poultry will turn out particularly crispy and brown if you baste it towards the end of the roasting time with butter, salted water or orange juice.
- Turn pieces of meat halfway through the cooking time.
- When the roast is ready, turn off the oven and allow it to rest for an additional 10 minutes. This will allow the meat juices to distribute themselves better inside the roast.
- When roasting large pieces of meat, you may find that the amount of steam and condensation on the oven door is more than usual. This is a normal occurrence that has no effect on the oven's performance. Once

### Roasting tips

How can you tell when the roast is ready?	Use a meat thermometer (available from specialist shops) or carry out a "spoon test." Press down on the roast with a spoon. If it feels firm, it is ready. If the spoon can be pressed in, it needs to be cooked for a little longer.
The roast is too dark and the crackling is partly burnt.	Check the shelf position and temperature.
The roast looks good but the juices are burnt.	Next time, use a smaller roasting dish and add more liquid.
The roast looks good but the juices are too clear and watery.	Next time, use a larger roasting dish and use less liquid.

roasting is complete, dry the oven door and window with a cloth.

- If you are roasting on the wire rack, insert the enameled baking tray into shelf position 1 to collect the drips of fat.

### Broiling tips

- As far as possible, the pieces of food you are broiling should be of equal thickness. They should be at least 1 inch thick. This will allow them to brown evenly and remain succulent and juicy.
- Place the food to be broiled in the center of the wire rack. Pour a little water into the enameled baking tray and insert this into the shelf position underneath the broil element to collect the drips of fat. Never place it on the cooking compartment floor.
- Drizzle some oil over the food to be broiled before you place it on the wire rack under the broil element.
- If the food to be broiled is thin, turn it over halfway through broiling; if it is thick, turn it over several times during broiling. Use tongs when turning the food to avoid piercing it and, in the case of meat, to keep the meat juices inside the meat.
- Dark meats such as lamb and beef brown better and more quickly than light meats such as pork and veal.

## Tested for you in our cooking studio

Here, you can find a selection of dishes and the ideal settings for them. We will show you which type of heating, temperature and shelf position are best suited for your dish.

### Notes

- The times specified in the tables are only guidelines. They will depend on the quality and composition of the food.

- Use the accessories provided. Additional accessories may be obtained as optional accessories from specialist retailers or from customer service. Before using the oven, remove any unnecessary accessories and ovenware from the cooking compartment.
- Always use oven gloves when taking hot accessories or cookware out of the cooking compartment.

Food	Weight lbs (kg)	Function	Runner position from the bottom	Temperature in °F (°C)	Time (minutes)	
Lasagne	6 ¾ - 8 (3 - 4)	Bake	1	400 - 450 (205 - 230)	45 - 50	
Pasta bake	6 ¾ - 8 (3 - 4)	Bake	1	400 - 450 (205 - 230)	45 - 50	
Pork	4 ½ (2)	Conv Bake	2	350 (175)	70 - 80	
Sausages	3 ⅓ (1.5)	Conv Broil Plus	4	500 (260)	15	
Roast beef	2 ¼ (1)	Conv Bake	2	500 (260)	40 - 45	
Turkey breast	6 ¾ (3)	Conv Bake	2	350 (175)	110 - 120	
Roast chicken	2 ⅔ (1.2)	Conv Bake	2	350 (175)	65 - 70	
					1 <sup>st</sup> surface	2 <sup>nd</sup> surface
Pork chops	3 ⅓ (1.5)	Conv Broil Plus	4	500 (260)	15	5
Spare ribs	3 ⅓ (1.5)	Conv Broil Plus	4	500 (260)	10	10
Bacon	1 ¾ (0.7)	Broil Plus	5	500 (260)	7	8
Pork fillet	3 ⅓ (1.5)	Conv Broil Plus	4	500 (260)	10	5
Beef fillet	2 ¼ (1)	Broil Plus	5	500 (260)	10	7
Salmon	1 ⅓ (0.6)	Conv Bake	2	300 (150)	25 - 30	
Pizza	2 ¼ (1)	Frozen Food	2	500 (260)	8 - 9	
Bread	2 ¼ (1)	Frozen Food	2	350 - 400 (175 - 205)	25 - 30	
Focaccia	2 ¼ (1)	Frozen Food	2	350 (175)	20 - 25	
Sponge cake	2 ¼ (1)	Pie	2	300 (150)	55 - 60	
Cheesecake	2 ¼ (1)	Pie	2	300 - 350	55 - 60	
Cream puffs	2 ⅔ (1.2)	Pie	2	350 (175)	80 - 90	
Light sponge cake	2 ¼ (1)	Pie	2	300 - 350 (150 - 175)	55 - 60	
Biscuits	2 ¼ (1)	Conv Multi-Rack	2 - 4	300 (150)	20 - 25	

The times indicated in the table do not include preheating times and are provided as a guide only.

# STATEMENT OF LIMITED PRODUCT WARRANTY

## What this Warranty Covers & Who it Applies to

The limited warranty provided by BSH Home Appliances Corporation ("BSH") in this Statement of Limited Product Warranty applies only to the Bosch appliance ("Product") sold to you, the first using purchaser, provided that the Product was purchased:

- For your normal, household (non-commercial) use, and has in fact at all times only been used for normal household purposes.
- New at retail (not a display, "as is", or previously returned model), and not for resale, or commercial use.
- Within the United States or Canada, and has at all times remained within the country of original purchase.

The warranties stated herein apply to the original purchaser of the product warranted herein and to each succeeding owner of the product purchased for ordinary home use during the term of the warranty.

Please make sure to return your registration card; while not necessary to effectuate warranty coverage, it is the best way for BSH to notify you in the unlikely event of a safety notice or product recall.

## How Long the Warranty Lasts

BSH warrants that the Product is free from defects in materials and workmanship for a period of three hundred sixty-five (365) days from the date of purchase. The foregoing timeline begins to run upon the date of purchase, and shall not be stalled, tolled, extended, or suspended, for any reason whatsoever.

This Product is also warranted to be free from *cosmetic* defects in material and workmanship (such as scratches of stainless steel, paint/porcelain blemishes, chip, dents, or other damage to the finish of the Product), for a period of thirty (30) days from the date of purchase or closing date for new construction. This *cosmetic* warranty excludes slight color variations due to inherent differences in painted and porcelain parts, as well as differences caused by kitchen lighting, product location, or other similar factors. This *cosmetic* warranty specifically excludes any display, floor, "As Is", or "B" stock appliances.

## Repair/Replace as Your Exclusive Remedy

During this warranty period, BSH or one of its authorized service providers will repair your Product without charge to you (subject to certain limitations stated herein) if your Product proves to have been manufactured with a defect in materials or workmanship. If reasonable attempts to repair the Product have been made without success, then BSH will replace your Product (upgraded models may be available to you, in BSH's sole discretion, for an additional charge). All removed parts and components shall become the property of BSH at its sole option. All replaced and/or repaired parts shall assume the identity of the original part for purposes of this warranty and this warranty shall not be extended with respect to such

parts. BSH's sole liability and responsibility hereunder is to repair manufacturer-defective Product only, using a BSH-authorized service provider during normal business hours. For safety and property damage concerns, BSH highly recommends that you do not attempt to repair the Product yourself, or use an un-authorized servicer; BSH will have no responsibility or liability for repairs or work performed by a non-authorized servicer. If you choose to have someone other than an authorized service provider work on your Product, THIS WARRANTY WILL AUTOMATICALLY BECOME NULL AND VOID. Authorized service providers are those persons or companies that have been specially trained on BSH products, and who possess, in BSH's opinion, a superior reputation for customer service and technical ability (note that they are independent entities and are not agents, partners, affiliates or representatives of BSH). Notwithstanding the foregoing, BSH will not incur any liability, or have responsibility, for the Product if it is located in a remote area (more than 100 miles from an authorized service provider) or is reasonably inaccessible, hazardous, threatening, or treacherous locale, surroundings, or environment; in any such event, if you request, BSH would still pay for labor and parts and ship the parts to the nearest authorized service provider, but you would still be fully liable and responsible for any travel time or other special charges by the service company, assuming they agree to make the service call.

## Out of Warranty Product

BSH is under no obligation, at law or otherwise, to provide you with any concessions, including repairs, pro-rates, or Product replacement, once this warranty has expired.

## Warranty Exclusions

The warranty coverage described herein excludes all defects or damage that are not the direct fault of BSH, including without limitation, one or more of the following:

- Use of the Product in anything other than its normal, customary and intended manner (including without limitation, any form of commercial use, use or storage of an indoor product outdoors, use of the Product in conjunction with air or water-going vessels).
- Any party's willful misconduct, negligence, misuse, abuse, accidents, neglect, improper operation, failure to maintain, improper or negligent installation, tampering, failure to follow operating instructions, mishandling, unauthorized service (including self-performed "fixing" or exploration of the appliance's internal workings).
- Adjustment, alteration or modification of any kind.
- A failure to comply with any applicable state, local, city, or county electrical, plumbing and/or building codes, regulations, or laws, including failure to install the product in strict conformity with local fire and building codes and regulations.

- Ordinary wear and tear, spills of food, liquid, grease accumulations, or other substances that accumulate on, in, or around the Product.
- Any external, elemental and/or environmental forces and factors, including without limitation, rain, wind, sand, floods, fires, mud slides, freezing temperatures, excessive moisture or extended exposure to humidity, lightning, power surges, structural failures surrounding the appliance, and acts of God.

In no event shall BSH have any liability or responsibility whatsoever for damage to surrounding property, including cabinetry, floors, ceilings, and other structures or objects around the Product. Also excluded from this warranty are Products on which the serial numbers have been altered, defaced, or removed; service visits to teach you how to use the Product, or visits where there is nothing wrong with the Product; correction of installation problems (you are solely responsible for any structure and setting for the Product, including all electrical, plumbing or other connecting facilities, for proper foundation/flooring, and for any alterations including without limitation cabinetry, walls, floors, shelving, etc.); and resetting of breakers or fuses.

TO THE EXTENT ALLOWED BY LAW, THIS WARRANTY SETS OUT YOUR EXCLUSIVE REMEDIES WITH RESPECT TO PRODUCT, WHETHER THE CLAIM ARISES IN CONTRACT OR TORT (INCLUDING STRICT LIABILITY, OR NEGLIGENCE) OR OTHERWISE. THIS WARRANTY IS IN LIEU OF ALL OTHER WARRANTIES, WHETHER EXPRESS OR IMPLIED. ANY WARRANTY IMPLIED BY LAW, WHETHER FOR MERCHANTABILITY OR FITNESS FOR A PARTICULAR PURPOSE, OR OTHERWISE, SHALL BE EFFECTIVE ONLY FOR THE PERIOD THAT THIS EXPRESS LIMITED WARRANTY IS EFFECTIVE. IN NO EVENT WILL THE MANUFACTURER BE LIABLE FOR CONSEQUENTIAL, SPECIAL, INCIDENTAL, INDIRECT, "BUSINESS LOSS", AND/OR PUNITIVE DAMAGES, LOSSES, OR EXPENSES, INCLUDING WITHOUT LIMITATION TIME AWAY FROM WORK, HOTELS AND/OR RESTAURANT MEALS, REMODELLING EXPENSES IN EXCESS OF DIRECT DAMAGES WHICH ARE DEFINITELY CAUSED EXCLUSIVELY BY BSH, OR OTHERWISE. SOME STATES DO NOT ALLOW THE EXCLUSION OR LIMITATION OF INCIDENTAL OR CONSEQUENTIAL DAMAGES, AND SOME STATES DO NOT ALLOW LIMITATIONS ON HOW LONG AN IMPLIED WARRANTY LASTS, SO THE ABOVE LIMITATIONS MAY NOT APPLY TO YOU. THIS WARRANTY GIVES YOU SPECIFIC LEGAL RIGHTS, AND YOU MAY ALSO HAVE OTHER RIGHTS WHICH VARY FROM STATE TO STATE.

No attempt to alter, modify or amend this warranty shall be effective unless authorized in writing by an officer of BSH.

# Table des Matières

<b>▲ Définitions de sécurité .....</b>	<b>24</b>	Dépose et pose des vitres de la porte .....	35
<b>IMPORTANTES CONSIGNES DE SÉCURITÉ .....</b>	<b>25</b>	Décrocher et accrocher la porte de l'appareil .....	36
Installation et entretien corrects .....	25	Retrait et montage des grilles porte-accessoires .....	37
Sécurité-incendie .....	25	<b>Dépannage .....</b>	<b>38</b>
Prévention des brûlures .....	26	Changer la lampe du four .....	39
Sécurité des enfants .....	27	<b>Soutien Bosch® .....</b>	<b>40</b>
Consignes en matière de nettoyage .....	27	Avant d'appeler le service de réparations .....	40
Sécurité pour la batterie de cuisine .....	27	Plaque signalétique .....	40
Avertissement issu de la proposition 65 : .....	27	Service .....	40
<b>Causes des dommages .....</b>	<b>28</b>	Pièces et accessoires .....	40
<b>Protection de l'environnement .....</b>	<b>28</b>	<b>Conseils pour l'utilisation .....</b>	<b>41</b>
Conseils d'économie d'énergie .....	28	Cuisson de pain et de pâtisseries .....	41
<b>Votre nouvel appareil .....</b>	<b>29</b>	Rôtissage et grillade .....	42
Four .....	29	Testés pour vous dans notre laboratoire .....	42
Sélecteur des fonctions .....	29	<b>ÉNONCÉ DE LA GARANTIE LIMITÉE .....</b>	<b>44</b>
Sélecteur de température .....	30	Couverture de la garantie limitée .....	44
Minuterie .....	30	Durée de la garantie .....	44
Accessoires .....	31	Réparation ou remplacement comme solution exclusive .....	44
<b>Avant la première utilisation .....</b>	<b>32</b>	Produit hors garantie .....	44
Réglage de l'heure .....	32	Exclusions à la garantie .....	44
Chauffe à vide du four .....	32		
Nettoyer les accessoires .....	32		
<b>Fonctionnement .....</b>	<b>32</b>		
Allumer le four .....	32		
Minuterie de cuisine .....	32		
Réglage de la minuterie automatique .....	33		
Réglages de base .....	33		
<b>Entretien et nettoyage .....</b>	<b>34</b>		
Nettoyants .....	34		
Panneaux catalytiques du compartiment de cuisson .....	35		

Vous trouverez des informations supplémentaires concernant les produits, accessoires, pièces de rechange et services sur Internet sous : [www.bosch-home.com](http://www.bosch-home.com) et la boutique en ligne : [www.bosch-eshop.com](http://www.bosch-eshop.com)

Cet appareil électroménager Bosch est fabriqué par  
BSH Home Appliances Corporation  
1901 Main Street, Suite 600  
Irvine, CA 92614

Vous avez des questions?

1 800 944-2904

[www.bosch-home.com/us](http://www.bosch-home.com/us)

Nous nous ferons un plaisir de vous servir!



---

## Définitions de sécurité

---

### AVERTISSEMENT

---

Ceci indique que le non-respect de cet avertissement peut entraîner des blessures graves, voire la mort.

---

---

### ATTENTION

---

Ceci indique que le non-respect de cet avertissement peut entraîner des blessures légères ou de gravité moyenne.

---

**AVIS :** Ceci indique que la non-conformité à cet avis de sécurité peut entraîner des dégâts matériels ou endommager l'appareil.

**Remarque :** Ceci vous signale des informations et/ou indications importantes.

# **IMPORTANTES CONSIGNES DE SÉCURITÉ**

## LIRE ET CONSERVER CES INSTRUCTIONS

---

### **AVERTISSEMENT**

---

Votre nouvel appareil a été conçu pour un fonctionnement sûr et fiable si vous en prenez bien soin. Lire attentivement toutes les consignes avant l'emploi. Ces précautions réduiront les risques de brûlures, de choc électrique, d'incendie et de lésions corporelles. Lors de l'utilisation d'un appareil électroménager, quelques précautions de sécurité élémentaires doivent être observées, y compris celles qui figurent aux pages suivantes.

---

### **Installation et entretien corrects**

Demandez à l'installateur de vous montrer où se trouve le disjoncteur ou le fusible. Identifier sa position pour pouvoir le retrouver facilement.

Cet appareil doit être adéquatement installé et mis à la terre par un technicien agréé. Branchez l'appareil uniquement dans une prise correctement reliée à la terre. Pour plus de détails, reportez-vous à la notice d'installation.

Cet appareil est destiné uniquement à une utilisation domestique normale. Il n'est pas homologué pour un usage en extérieur. Voyez la Énoncé de la Garantie Limitée. Si vous avez des questions, communiquez avec le fabricant.

Ne pas entreposer ni utiliser de produits chimiques corrosifs, vapeurs, substances inflammables ou produits non alimentaires à l'intérieur ou à proximité de l'appareil. Il a été spécialement conçu pour être utilisé pendant le chauffage et la cuisson des aliments. L'emploi de produits chimiques corrosifs pour chauffer ou nettoyer l'appareil endommagera ce dernier et peut provoquer des blessures.

Ne pas se servir de cet appareil s'il ne fonctionne pas correctement ou s'il est endommagé. Communiquer avec un réparateur autorisé.

Ne pas obstruer les événements du four.

Ne pas réparer ni remplacer toute pièce de l'appareil à moins que cela ne soit spécifiquement recommandé par ce manuel. Toute réparation doit être effectuée par un réparateur autorisé.

En cas d'erreur, l'affichage clignote et émet un signal sonore continu. Débrancher l'appareil de l'alimentation et appeler un réparateur autorisé.

---

### **AVERTISSEMENT**

---

Avant de démonter la porte, s'assurer que le courant qui alimente le four est coupé. Le non respect de cette instruction peut entraîner des brûlures.

---

La porte du four est lourde et fragile. Utilisez les deux mains pour retirer la porte du four. La face avant de la porte est en verre. Manipuler avec précaution pour éviter les cassures.

Saisir la porte uniquement par les côtés. Ne pas tenir la porte par la poignée car elle risque de tourner et provoquer des blessures ou des dommages.

Si la porte n'est pas maintenue fermement et correctement, des lésions corporelles ou des dommages matériels pourraient survenir.

Placer la porte sur une surface plane et stable afin qu'elle ne puisse pas tomber. Le non respect de cette consigne peut entraîner des lésions corporelles ou des dommages à l'appareil.

---

### **AVERTISSEMENT**

---

Pour éviter les blessures dues à l'enclenchement des charnières, s'assurer que les deux leviers sont bien en place avant de retirer la porte. D'autre part, ne pas forcer la porte pour la fermer ou l'ouvrir - cela pourrait endommager une charnière et provoque des blessures.

---

### **AVERTISSEMENT**

---

S'assurer que l'appareil et les ampoules ont refroidi et que le courant qui alimente l'appareil a été coupé avant de changer une ou plusieurs ampoules. Le non respect de cette instruction peut entraîner un choc électrique ou des brûlures. Les lentilles (le cas échéant) doivent être mises en place lors de l'utilisation de l'appareil. Les lentilles (le cas échéant) permettent d'éviter que les ampoules ne se brisent. Les lentilles (le cas échéant) sont en verre. Manipuler avec précaution pour éviter les cassures. Le verre brisé peut être une cause de blessures.

---

### **AVERTISSEMENT**

---

Si l'alimentation principale n'est pas coupée, la douille reste sous tension lorsque la porte est ouverte.

---

### **Sécurité-incendie**

---

#### **AVERTISSEMENT**

---

Ne JAMAIS couvrir les encoches, orifices ou passages pratiqués au fond du four et ne jamais recouvrir complètement la grille avec des matériaux tels que le papier d'aluminium. Vous risquez autrement de bloquer la circulation de l'air à l'intérieur du four. Les feuilles d'aluminium peuvent également emprisonner la chaleur et présenter ainsi un risque d'incendie.

---

Si des matériaux à l'intérieur d'un four ou d'un tiroir-réchaud venaient à prendre feu, conserver la porte fermée. Éteindre l'appareil et déconnecter le circuit depuis le boîtier de disjoncteurs.

# **IMPORTANTES CONSIGNES DE SÉCURITÉ**

## LIRE ET CONSERVER CES INSTRUCTIONS

---

### AVERTISSEMENT

---

Utiliser cet appareil uniquement dans le cadre de l'utilisation prévue tel que décrit dans ce manuel. NE JAMAIS utiliser pour chauffer ou réchauffer une pièce. Ceci pourrait faire surchauffer l'appareil. L'appareil ne doit jamais servir à entreposer quoi que ce soit.

---

Toujours avoir un détecteur de fumée en état de marche près de la cuisine.

Si des vêtements s'enflamment, rouler par terre immédiatement pour éteindre les flammes.

Veillez à avoir à portée de main un extincteur d'incendie en bon état de marche, placé visiblement près de l'appareil et facile d'accès.

Étouffez les flammes d'un feu d'aliments autre qu'un feu de graisse à l'aide de bicarbonate de soude. Ne jamais utiliser d'eau sur les feux de cuisson.

---

### AVERTISSEMENT

---

POUR RÉDUIRE LE RISQUE DE LÉSIONS CORPORELLES DANS L'ÉVENTUALITÉ D'UN FEU DE GRAISSE, OBSERVER LES CONSIGNES SUIVANTES :

- a. **ÉTOUFFER LES FLAMMES** à l'aide d'un couvercle bien hermétique, d'une tôle à biscuits ou d'un plateau en métal, puis éteindre l'appareil. FAIRE ATTENTION À NE PAS SE BRÛLER. Si les flammes ne s'éteignent pas immédiatement, ÉVACUER LES LIEUX ET FAIRE APPEL AU SERVICE D'INCENDIE.
  - b. NE JAMAIS SAISIR UN RÉCIPIENT QUI BRÛLE. Vous pourriez vous brûler.
  - c. NE PAS UTILISER D'EAU, y compris les chiffons ou serviettes mouillées. Une violente explosion de vapeur risque de se produire.
  - d. Utiliser un extincteur uniquement si :
    - Vous savez que vous possédez un extincteur de CLASSE ABC, et vous en connaissez déjà le maniement.
    - L'incendie est de petite ampleur et contenu dans la zone où il s'est déclaré.
    - Le service d'incendie est appelé.
    - On peut combattre l'incendie le dos tourné vers la sortie.
- 

### Prévention des brûlures

NE PAS TOUCHER LES ÉLÉMENTS CHAUFFANTS OU LES SURFACES INTÉRIEURES DU FOUR - Les éléments chauffants peuvent être chauds même s'ils ne sont pas rouges. Les parois intérieures d'un four peuvent devenir suffisamment chaudes pour provoquer des brûlures. Avant et après l'utilisation, ne pas toucher les éléments chauffants ou les surfaces intérieures du four et ne pas mettre des vêtements, des maniques ou d'autres matériaux inflammables en contact avec ces éléments et ces surfaces tant qu'ils n'auront pas suffisamment refroidi. Les autres surfaces de l'appareil peuvent devenir suffisamment chaudes pour provoquer des brûlures.

Parmi ces surfaces, citons les ouvertures d'évent, les surfaces situées près de ces ouvertures et les portes du four.

Faire attention en ouvrant le tiroir-réchaud. En se plaçant sur le côté, ouvrir la porte (ou le tiroir) lentement et légèrement pour laisser l'air chaud et/ou la vapeur s'échapper du four. Éloigner le visage de l'ouverture et s'assurer qu'aucun enfant ou animal ne se trouve près de l'appareil. Une fois l'air chaud et/ou la vapeur sortis, continuez la cuisson. Ne pas laisser les portes ouvertes à moins que vous ne soyez en train de cuisiner ou de nettoyer. Ne pas laisser les portes ouvertes sans surveillance.

Ne pas chauffer ou réchauffer des contenants d'aliments non ouverts. L'accumulation de pression peut faire exploser le contenant et provoquer des blessures.

Prendre des précautions lors de la cuisson d'aliments au contenu élevé en alcool (e.g. le rhum, le brandy, le bourbon) dans le four. L'alcool s'évapore à des températures élevées. Il existe un risque d'incendie car les vapeurs d'alcool peuvent prendre feu à l'intérieur du four. Utiliser de petites quantités d'alcool dans les aliments et ouvrir la porte du four avec précautions.

Placez toujours les grilles du four à la position souhaitée alors que le four est froid. Toujours utiliser des maniques quand le four est chaud. Si une grille doit être déplacée alors que le four est chaud, ne pas laisser les poignées isolantes entrer en contact avec les éléments chauffants.

---

### ATTENTION

---

Afin d'éviter toute blessure ou dommages potentiels, s'assurer d'installer la grille en suivant exactement les instructions d'installation, et ne pas la mettre à l'envers ni dans le mauvais sens.

---

Toujours utiliser des poignées isolantes sèches. Des poignées mouillées ou humides entrant en contact avec les surfaces chaudes peuvent provoquer des blessures par dégagement de vapeur. Ne laissez pas les poignées toucher les éléments chauffants chauds. Ne pas utiliser de serviette ni de chiffon volumineux.

Attacher les vêtements lâches, etc. avant de commencer. Attacher les cheveux longs de façon à ce qu'ils ne pendent pas et ne pas porter de vêtements lâches ou d'habits ou objets qui pendillent, tels que cravates, foulards, bijoux ou manches.

# **IMPORTANTES CONSIGNES DE SÉCURITÉ** LIRE ET CONSERVER CES INSTRUCTIONS

## **Sécurité des enfants**

Lorsque les enfants sont assez âgés pour utiliser l'appareil, il incombe aux parents ou tuteurs légaux de veiller à ce qu'ils soient formés aux pratiques sécuritaires par des personnes qualifiées.

Ne permettre à personne de grimper, rester debout, s'appuyer, s'asseoir ou se pencher sur toute partie d'un appareil, notamment une porte, un tiroir-réchaud ou un tiroir de rangement. Ceci peut endommager l'appareil qui risque de basculer et causer des blessures sérieuses.

Ne pas permettre aux enfants d'utiliser cet appareil sauf sous la surveillance attentive d'un adulte. Ne pas laisser les enfants et les animaux seuls ou sans surveillance lorsque l'appareil est en service. Ne jamais les laisser jouer aux alentours de l'appareil, que ce dernier soit en service ou non.

---

## **ATTENTION**

Les articles d'intérêt pour les enfants ne doivent pas être rangés dans un appareil électroménager, dans les armoires au-dessus de l'appareil ou sur le dossier. Les enfants peuvent grimper sur l'appareil pour atteindre ces objets et se blesser sérieusement.

---

## **Consignes en matière de nettoyage**

Ne laissez jamais de graisse s'accumuler dans le four.

## **Sécurité pour la batterie de cuisine**

**AVIS :** Ne pas placer les aliments directement sur la sole du four.

Observer les instructions du fabricant lors de l'utilisation de sacs de cuisson ou de rôtissage.

Ne déposez pas d'ustensiles sur la porte ouverte du four.

## **Avertissement issu de la proposition 65 :**

Ce produit pourrait contenir un produit chimique reconnu par l'État de la Californie comme cancérigène ou ayant des effets nocifs sur la reproduction. Par conséquent, l'emballage de votre produit pourrait porter l'étiquette suivante, comme requis par la Californie :

**AVERTISSEMENT ISSU DE LA PROPOSITION 65 DE L'ÉTAT DE LA CALIFORNIE :**



**AVERTISSEMENT**

Cancer et dommages à la reproduction

[www.P65Warnings.ca.gov](http://www.P65Warnings.ca.gov)

---

## Causes des dommages

### AVIS:

- Accessoires, films plastiques, papier de cuisson ou ustensiles de cuisson se trouvant sur le fond du four : ne rien déposer sur le fond du four. Ne pas recouvrir le fond du four de films ou autres papiers de cuisson quelqu'ils soient. Ne pas déposer d'ustensiles de cuisson sur le fond du four lorsque la température est réglée à plus de 122°F (50 °C), car cela génère une accumulation de chaleur, une modification des temps de cuisson et une détérioration de l'émail.
- Eau dans le four chaud : ne jamais verser d'eau dans le four chaud, car cela produit de la vapeur qui peut endommager l'enceinte émaillée sous l'effet du changement de température.
- Ne pas laisser pendant une période prolongée dans le four fermé des produits alimentaires humides, car cela peut favoriser l'apparition de corrosion dans le four.
- Le jus de fruit peut tacher l'enceinte du four. Toujours enlever le jus de fruit sans attendre, en utilisant d'abord un chiffon mouillé, puis un chiffon sec. Laisser refroidir le four pour éviter les brûlures de vapeur causées par un chiffon humide.
- Refroidissement avec la porte ouverte : laisser le four refroidir sans ouvrir la porte. Même si la porte n'est que légèrement entrouverte, cela peut à la longue endommager les façades des meubles voisins.
- Joint de porte très encrassé : lorsque le joint est très sale, la porte ne se ferme plus correctement. Les façades des meubles voisins risquent d'être endommagées. Faire en sorte que le joint de la porte soit toujours propre.
- Porte du four utilisée comme siège ou desserte : ne pas monter sur la porte du four, ni s'asseoir dessus ou s'y suspendre. Ne pas déposer sur la porte des accessoires ou ustensiles de cuisson quelconques.
- Montage des accessoires : selon le type de four, les accessoires peuvent rayer la porte lors de la fermeture de cette dernière. Toujours mettre les accessoires entièrement dans le four.
- Ne pas tenir ni porter l'appareil en le prenant par la poignée de la porte. La poignée de la porte ne peut pas supporter le poids de l'appareil et risque de se casser.

---

## Protection de l'environnement

Déballer l'appareil et jeter l'emballage dans le respect de l'environnement.

### Conseils d'économie d'énergie

- Pendant la cuisson, ouvrez le moins possible la porte du four.
- Pour les gâteaux, utilisez des moules foncés, laqués noir ou émaillés, car ils absorbent particulièrement bien la chaleur.
- Si vous avez plusieurs gâteaux, faites-les cuire de préférence l'un après l'autre. Le four est encore chaud permet de réduire la durée de cuisson du gâteau suivant. Vous pouvez aussi placer l'un à côté de l'autre deux moules à cake.
- En mode chaleur tournante, vous pouvez cuire en même temps sur plusieurs niveaux.
- Dans le cas de cuissons longues, vous pouvez éteindre le four 10 minutes avant la fin de cuisson, afin de profiter de la chaleur résiduelle.

# Votre nouvel appareil

Nous vous présentons ici votre nouvel appareil. Voici des informations sur le bandeau de commande, le four, les modes de cuisson et les accessoires.

## Four



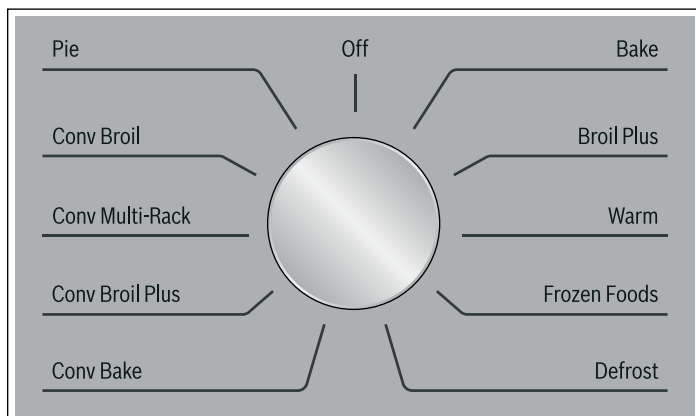
1	Sélecteur de température
2	Témoin de service
3	Sélecteur des fonctions
4	Affichage et touches de fonction

**AVIS :** Ne pas placer les aliments directement sur la sole du four.

Ne pas obstruer les événements du four.

## Sélecteur des fonctions

Avec le sélecteur des fonctions, vous réglez le mode de cuisson.



Position	Utilisation
Off (Désactivé)	Le four est éteint.
Bake (Cuisson)	Pour les gâteaux, les ragoûts et les pièces minces à rôtir. La chaleur provient de façon égale de l'élément chauffant supérieur et inférieur.
Broil Plus (Gril Plus)	La chaleur provenant de l'élément chauffant du gril donne des résultats de cuisson parfaits, particulièrement pour les coupes minces et moyennes de viande, et avec l'option rôtissage (si présente), vous pouvez faire dorer les aliments à la fin de la cuisson. Idéal pour les saucisses, les côtes et le bacon. Cette fonction permet de faire griller uniformément de grandes quantités de nourriture, particulièrement la viande.
Warm (Réchaud)	La chaleur provenant seulement du bas permet de compléter la cuisson des aliments qui nécessitent une température de dessous plus élevée sans affecter la façon de les dorer. Idéal pour les gâteaux, les tartes, les tartelettes et les pizzas.
Frozen Foods (Aliments congelés)	La combinaison de la cuisson assistée par ventilateur et de la cuisson traditionnelle permet de faire cuire différents aliments sur plusieurs niveaux rapidement et efficacement. Idéal pour une grande quantité de nourriture nécessitant une cuisson intense, très utile pour les aliments congelés en plus des aliments frais.
Defrost (Décongélation)	La décongélation rapide est assistée par l'activation du ventilateur et de l'élément chauffant supérieur pour assurer une distribution uniforme de l'air à basse température à l'intérieur du four.
Conv Bake (Cuisson à convection)	L'activation du ventilateur en plus de la cuisson traditionnelle permet d'obtenir une cuisson uniforme même avec les recettes les plus complexes. Idéal pour tous les types de nourriture, même pour la cuisson simultanée sur plusieurs niveaux.
Conv Broil Plus (Gril plus à convection)	L'air généré par le ventilateur adoucit les puissantes ondes de chaleur produites par le gril, permettant de dorer parfaitement même les aliments les plus épais. Idéal pour les grosses coupes de viande.

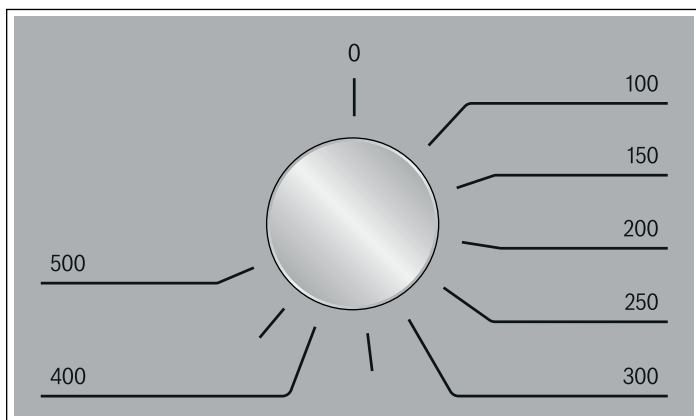


Position	Utilisation
Conv Multi-Rack (Convection Multi-Rack)	La combinaison du ventilateur et de l'élément circulaire (incorporé dans la partie arrière du four) permet de cuire de la nourriture différente sur plusieurs niveaux, à condition que la température et le type de cuisson soient identiques. La circulation de l'air chaud assure une distribution instantanée et uniforme de la chaleur. Pour la cuisson sur plusieurs niveaux, nous vous recommandons d'utiliser les positions 2 et 4.
Conv Broil (Gril à convection)	Grâce à l'action combinée du ventilateur et de la chaleur de l'élément central seulement, cette fonction est idéale pour la cuisson rapide et pour gratiner de petites quantités de nourriture (particulièrement les viandes), en alliant les avantages nutritionnels du gril et la cuisson uniforme du ventilateur.
Pie (Tarte)	La combinaison du ventilateur et d'une chaleur plus faible avec l'ajout de l'élément supérieur permet à la cuisson d'être effectuée plus rapidement. Idéal pour tous les types de nourriture, et tout particulièrement pour les tartes et les gâteaux.

**Remarque :** Lorsque vous réglez le mode de cuisson, la lampe du four dans le compartiment de cuisson s'allume.

## Sélecteur de température

Avec le sélecteur de température vous réglez la température.



Position	Signification
0	Arrêt Le four ne chauffe pas.
100-500	Plage de température La température à l'intérieur du compartiment de cuisson en F.

Le voyant indicateur est allumé lorsque le four se réchauffe. Il s'éteint dès que la température réglée est atteinte.

## Minuterie

Avec la minuterie, vous pouvez contrôler votre four. Ainsi, vous pouvez présélectionner par ex. le moment auquel le four doit se mettre en marche ou bien auquel la minuterie automatique doit terminer le processus de cuisson. La minuterie peut aussi être utilisée comme minuteur courte durée.



### Touches de fonction

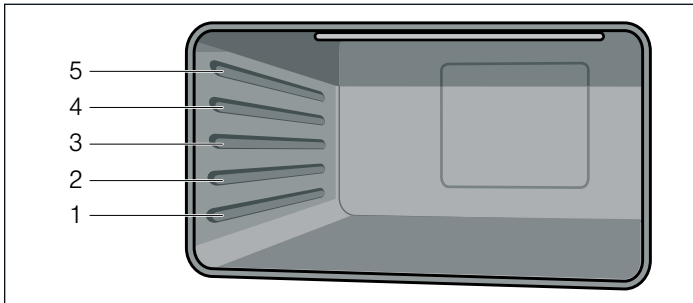
Symbole	Signification	Emploi
<b>TIMERS</b>	Fonctions de minuterie	Réglage d'une durée ou du temps
-	Moins	Réduire la durée ou l'heure
+	Plus	Augmenter la durée ou l'heure

### Symboles de l'affichage

Symbole	Signification
00:00	Heure / durée de fonctionnement / heure de la fin / minuteur
	Le four est prêt à fonctionner
auto	Une durée de fonctionnement / durée de fonctionnement avec heure de la fin est programmée
	Le minuteur est actif
AM/PM	Affichage de l'heure : format 12 h Pour passer au format 24 h, voir le paragraphe "Adapter l'heure"

## Accessoires

Les accessoires peuvent être enfournés à 5 hauteurs différentes. Introduire l'accessoire toujours jusqu'au fond, afin qu'il ne touche pas la vitre de la porte. Veillez à toujours introduire les accessoires dans le bon sens dans le compartiment de cuisson.

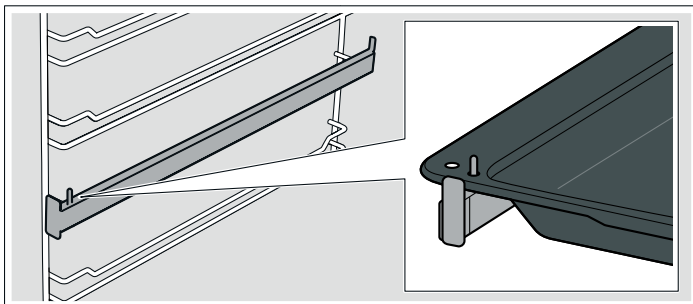


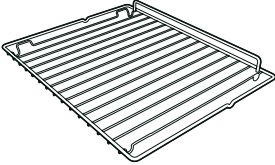
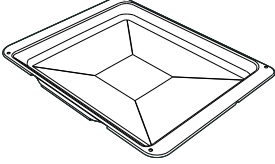
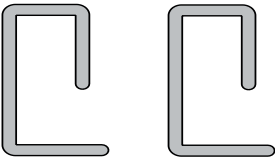
Vous pouvez sortir les accessoires aux deux tiers sans qu'ils ne basculent. Il est ainsi plus facile de retirer les plats.

Lorsque l'accessoire devient chaud il peut se déformer. Cela n'a aucune influence sur sa fonction, il reprend sa forme dès qu'il a refroidi.

Vous pouvez acheter des accessoires auprès du service après-vente, dans les commerces spécialisés ou sur Internet.

Les rails télescopiques permettent de retirer l'accessoire complètement.



Accessoires	Description
	<b>Grille à pâtisserie/de rôtissage</b> Pour des récipients, des moules à gâteaux, rôtis, grillades, plats surgelés.
	<b>Plaque à pâtisserie émaillée</b> Pour des gâteaux fondants, pâtisseries, plats surgelés et gros rôtis. Également utilisable comme collecteur de graisse.
	<b>Tiges de sécurité</b> Pour bloquer les charnières.

# Avant la première utilisation

Vous trouverez ici des instructions à suivre avant d'utiliser votre appareil pour la première fois et de préparer des mets. Avant de commencer, lisez le chapitre *Consignes de sécurité*.

Retirez l'emballage de l'appareil et éliminez-le conformément aux réglementations en la matière.

## Réglage de l'heure

Après le raccordement électrique de l'appareil ou après une panne de courant, **0:00** et **auto** clignotent dans l'affichage.

1. Maintenir la touche TIMERS appuyée jusqu'à ce que le deux-points clignote dans l'affichage.
2. Régler l'heure actuelle à l'aide des touches **+** et **-**. Maintenir la touche **+** ou **-** appuyée pour changer la valeur plus rapidement.

Le temps réglé est validé au bout de 5 secondes.

## Réglage de l'heure pendant le fonctionnement

1. Maintenir les touches **+** et **-** appuyées, jusqu'à ce que le deux-points clignote dans l'affichage.
2. Régler l'heure actuelle à l'aide des touches **+** et **-**. Maintenir la touche **+** ou **-** appuyée pour changer la valeur plus rapidement.

Le temps réglé est validé au bout de 5 secondes.

## Chauffe à vide du four

### Nettoyage préalable du four

1. Retirez les accessoires et les grilles à accrocher du compartiment de cuisson.
2. Enlevez tous les résidus d'emballage, par ex. petits morceaux de polystyrène, du compartiment de cuisson.

# Fonctionnement

## Allumer le four

1. Régler le mode de cuisson à l'aide du sélecteur des fonctions.
2. Régler la température au moyen du sélecteur de température.

Le four commence à chauffer.

### Éteindre le four

Régler le sélecteur des fonctions et le sélecteur de température sur la position zéro.

### Modifier les réglages

Vous pouvez modifier à tout moment le mode de cuisson et la température ou la puissance du gril au moyen du sélecteur correspondant.

### Chauffe

Pour chauffer rapidement le compartiment de cuisson, utiliser le mode de cuisson "Conv Bake". Lorsque la

3. Certaines parties sont recouvertes d'un film protecteur. Retirez ce film protecteur.
4. Nettoyez l'extérieur de l'appareil avec un chiffon doux humide.
5. Nettoyez le compartiment de cuisson à l'eau chaude additionnée de produit à vaisselle.

## Chauffer le four

Pour éliminer l'odeur du neuf, laissez chauffer le four à vide, la porte fermée.

1. Réglez le sélecteur des fonctions sur le mode de fonctionnement Bake (cuisson).
2. Réglez le sélecteur de température sur la température maximale.
3. Éteignez le four au bout de 40 minutes.

## Nettoyage de finition du four

1. Nettoyez le compartiment de cuisson à l'eau chaude additionnée de produit à vaisselle.
2. Remettez les grilles porte-accessoires en place.



## Nettoyer les accessoires


Avant d'utiliser les accessoires, nettoyez-les soigneusement avec de l'eau chaude additionnée de produit à vaisselle et une lavette.

température réglée est atteinte (le voyant lumineux est allumé en continu et un signal retentit), régler le mode de cuisson désiré.


## Minuterie de cuisine

Le minuteur courte durée n'a pas d'influence sur les fonctions du four. La durée du minuteur peut être réglée de 1 minute à 23 heures et 59 minutes.

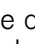
1. Maintenir la touche TIMERS appuyée jusqu'à ce que le symbole  clignote dans l'affichage et **0:00** s'affiche.
2. Régler la durée désirée à l'aide des touches **+** et **-**. Le temps réglé est validé au bout de 5 secondes. Après écoulement du temps, un signal sonore retentit et le symbole  clignote.

**Remarque :** Pendant l'écoulement du minuteur, l'heure est affichée et le symbole  est allumé en continu.

### Modifier le temps réglé :

Pour modifier le temps de marche résiduel, appuyer sur la touche TIMERS jusqu'à ce que le symbole  clignote dans l'affichage. Modifier ensuite le temps de marche résiduel à l'aide des touches **+** et **-**.

### Annuler le minuteur

Pour effacer le réglage, maintenir la touche TIMERS appuyée, jusqu'à ce que le symbole  clignote dans l'affichage. Appuyer ensuite simultanément sur les touches **+** et **-**.



### Désactiver le signal sonore

Maintenir la touche TIMERS appuyée jusqu'à ce que l'horloge s'éteigne. Le signal s'arrête automatiquement au bout de sept minutes.

## Réglage de la minuterie automatique


À l'aide de la fonction MINUTERIE vous pouvez régler une durée de fonctionnement et programmer une heure de début et de fin.

### Arrêt automatique

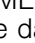
1. Maintenir la touche TIMERS appuyée, jusqu'à ce que le symbole  clignote.
2. Réappuyer sur la touche TIMERS. **auto** et **dur** clignotent dans l'affichage.
3. Régler la durée de fonctionnement à l'aide des touches **+** et **-**.  
La durée de fonctionnement peut être réglée de 1 minute à 10 heures.
4. Régler le mode de cuisson et la température désirés.  
Le four démarre. Le symbole  et **auto** sont allumés dans l'affichage, l'heure actuelle est affichée.

### La durée de fonctionnement est écoulée

Un signal retentit, **auto** clignote dans l'affichage.


1. Éteindre le sélecteur de température et le sélecteur des fonctions.
2. Maintenir la touche TIMERS appuyée, jusqu'à l'apparition du symbole .  
Le four repasse au mode manuel.




### Annuler la durée de fonctionnement

Pour effacer le réglage, maintenir la touche TIMERS appuyée jusqu'à ce que le symbole  clignote dans l'affichage. Appuyer ensuite simultanément sur les touches **+** et **-**.

### Mise en marche et arrêt automatiques


La cuisson ou le rôtissage pour la durée réglée commence à un moment ultérieur que vous avez sélectionné.

1. Maintenir la touche TIMERS appuyée, jusqu'à ce que le symbole  clignote.
2. Réappuyer sur la touche TIMERS. **auto** et **dur** clignotent dans l'affichage.
3. Régler la durée de fonctionnement à l'aide des touches **+** et **-**.  
La durée de fonctionnement peut être réglée de 1 minute à 10 heures.


4. Réappuyer sur la touche TIMERS. **auto** et le symbole  clignotent dans l'affichage.  
L'heure de la fin de la durée de fonctionnement programmée est affichée.
5. Modifier l'heure de la fin à l'aide des touches **+** et **-**.  
L'heure de la fin peut être différée de max. 23 heures et 59 minutes.  
Le four calcule l'heure du démarrage. Le temps réglé est validé au bout de 5 secondes.  
Le symbole  et **auto** s'éteignent, l'heure actuelle s'affiche.
6. Régler le mode de cuisson et la température désirés.  
Le four commence à chauffer à l'heure de départ calculée. Le symbole  et **auto** s'allument dans l'affichage.

### La durée de fonctionnement est écoulée

Un signal retentit, **auto** clignote dans l'affichage.

1. Éteindre le sélecteur de température et le sélecteur des fonctions.
2. Maintenir la touche TIMERS appuyée, jusqu'à l'apparition du symbole .  
Le four repasse au mode manuel.

### Annuler la durée de fonctionnement

Pour effacer le réglage, maintenir la touche TIMERS appuyée jusqu'à ce que le symbole  clignote dans l'affichage. Appuyer ensuite simultanément sur les touches **+** et **-**.

## Réglages de base

Vous pouvez régler les réglages de base suivants de manière permanente :

Réglage de base	Options
Signal sonore	<ul style="list-style-type: none"><li>• faible</li><li>• moyen</li><li>• fort*</li></ul>
Format horaire	<ul style="list-style-type: none"><li>• 24 h*</li><li>• 12 h am/pm</li></ul>

\* Réglage usine

### Modifier le volume du signal sonore

Le four doit être éteint.

1. Maintenir les touches **+** et **-** appuyées, jusqu'à ce que le deux-points clignote dans l'affichage.
2. Appuyer une fois sur la touche TIMERS. **Signal** apparaît dans l'affichage.
3. Appuyer répétitivement sur la touche **-**, jusqu'à ce que le volume souhaité soit atteint.

### Modifier le format horaire

Le four doit être éteint.

Maintenir la touche **+** appuyée pendant 3 secondes. **AM/PM** apparaît dans l'affichage. Pour revenir au format horaire 24h, réappuyer sur la touche **+** pendant 3 secondes.

# Entretien et nettoyage

Si vous entretenez et nettoyez soigneusement votre four il gardera longtemps son aspect neuf et restera opérationnel. Nous vous expliquons ici comment entretenir et nettoyer correctement votre four.

## Remarques

- Les légères variations de couleur apparaissant sur la façade du four sont dues aux différents matériaux tels que le verre, le plastique et le métal.
- Des ombres semblables à des stries sur la vitre de la porte sont des reflets de la lampe du four.
- L'émail est cuit à des températures très élevées. Ceci peut engendrer des différences de teintes. Ce phénomène est normal et n'a aucune incidence sur le fonctionnement. Les bords de plaques minces ne peuvent pas être complètement émaillés. Ils peuvent donc présenter des aspérités. La protection contre la corrosion n'en est pas compromise.

## ▲ AVERTISSEMENT

### RISQUE DE CHOC ÉLECTRIQUE

La pénétration d'humidité peut provoquer un choc électrique. Ne pas utiliser de nettoyeur à haute pression ou à vapeur.

## ▲ AVERTISSEMENT

### RISQUE DE BRÛLURE

L'appareil chauffe beaucoup. Ne jamais toucher aux surfaces intérieures du four chaud ni aux résistances chauffantes. Toujours laisser l'appareil refroidir. Tenir les enfants à distance.

## Nettoyants

Afin de ne pas endommager les différentes surfaces par des nettoyants inappropriés, veuillez respecter les indications suivantes.

Ne pas utiliser

- de produits agressifs ou récurants
- de nettoyants fortement alcoolisés
- de tampons en paille métallique ni d'éponges à dos récurant
- de nettoyeurs haute pression ni de nettoyeurs à vapeur.

Avant d'utiliser des lavettes éponges neuves, les rincer soigneusement.

Surface	Nettoyants
Extérieur de l'appareil	Eau chaude additionnée de liquide à vaisselle : Nettoyer avec une lavette et sécher avec un chiffon doux. Ne pas utiliser de nettoyant pour vitres ni de racloir à verre.
Inox	Eau chaude additionnée de liquide à vaisselle : Nettoyer avec une lavette et sécher avec un chiffon doux. Éliminer immédiatement les dépôts calcaires, de graisse, de fécule et de blanc d'oeuf. De la corrosion peut se former sous ces salissures. Des produits d'entretien spéciaux pour inox qui sont appropriés pour des surfaces chaudes sont en vente auprès du service après-vente ou dans les commerces spécialisés. Appliquer une pellicule mince de produit d'entretien avec un chiffon doux.
Aluminium et plastique	Nettoyant pour vitres : Nettoyer avec un chiffon doux.
Surfaces émaillées (surface lisse)	Pour faciliter le nettoyage vous pouvez allumer l'éclairage du compartiment de cuisson et décrocher la porte de l'appareil, le cas échéant. Appliquer un produit à vaisselle usuel en vente libre ou de l'eau au vinaigre avec un chiffon doux, humide ou une peau de chamois; sécher avec un chiffon doux. Ramollissez les résidus d'aliment incrustés avec un chiffon humide et du produit à vaisselle. Après le nettoyage, laisser le compartiment de cuisson ouvert, afin qu'il sèche.
Surfaces autonettoyantes (surface rugueuse)	Respectez les indications dans le chapitre : Surfaces autonettoyantes
Vitres de porte	Nettoyant pour vitres : Nettoyer avec un chiffon doux. Ne pas utiliser de racloir à verre.
Couvercle en verre de la lampe du four	Eau chaude additionnée de liquide à vaisselle : Nettoyer avec une lavette.
Joint Ne pas l'enlever !	Eau chaude additionnée de liquide à vaisselle : Nettoyer avec une lavette. Ne pas récurer.

Surface	Nettoyants
Supports	Eau chaude additionnée de liquide à vaisselle : Mettre à tremper et nettoyer avec une lavette ou une brosse.
Accessoires	Eau chaude additionnée de liquide à vaisselle : Mettre à tremper et nettoyer avec une lavette ou une brosse.

## Panneaux catalytiques du compartiment de cuisson

Les panneaux catalytiques du compartiment de cuisson sont revêtus d'un émail autonettoyant.

Les parois se nettoient automatiquement pendant le fonctionnement du four. Les projections plus importantes disparaissent seulement au bout de plusieurs utilisations du four.

### Surfaces autonettoyantes

Les parois latérales et la paroi arrière sont dotées d'un revêtement catalytique. Ne nettoyez jamais ces surfaces avec un produit de nettoyage pour four. Une légère décoloration du revêtement en émail n'a aucune influence sur l'autonettoyage.

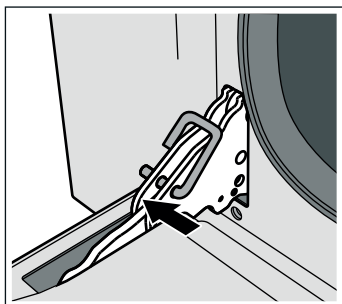
## Dépose et pose des vitres de la porte

Pour faciliter le nettoyage, vous pouvez déposer les vitres de la porte du four.

### Dépose des vitres de la porte

1. Ouvrir complètement la porte du four.
2. Bloquer les deux charnières à gauche et à droite à l'aide des tiges de sécurité.

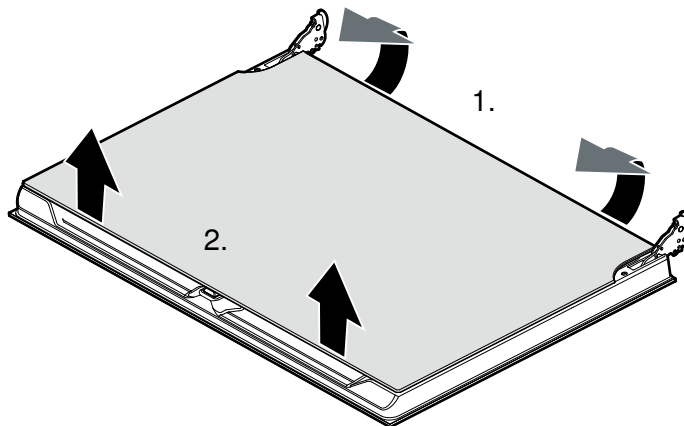
**Remarque :** Les tiges de sécurité doivent être complètement introduites dans les trous des charnières.



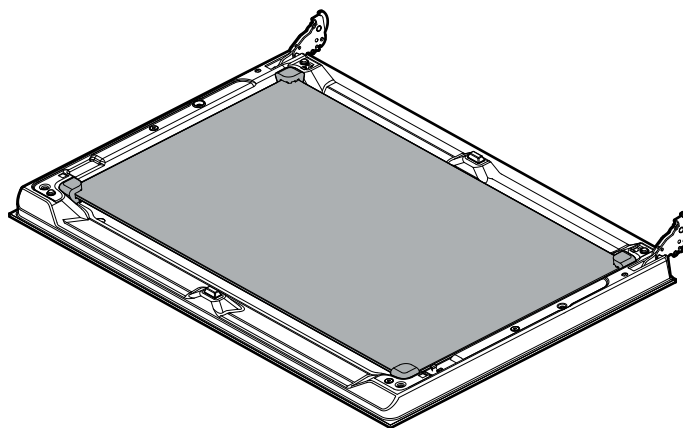
3. Lever légèrement la partie inférieure de la vitre intérieure, jusqu'à ce que les tiges de fixation sortent de la fixation (1).
4. Lever délicatement la partie supérieure de la vitre intérieure, jusqu'à ce que les tiges de fixation sortent de la fixation (2).

### ⚠ ATTENTION

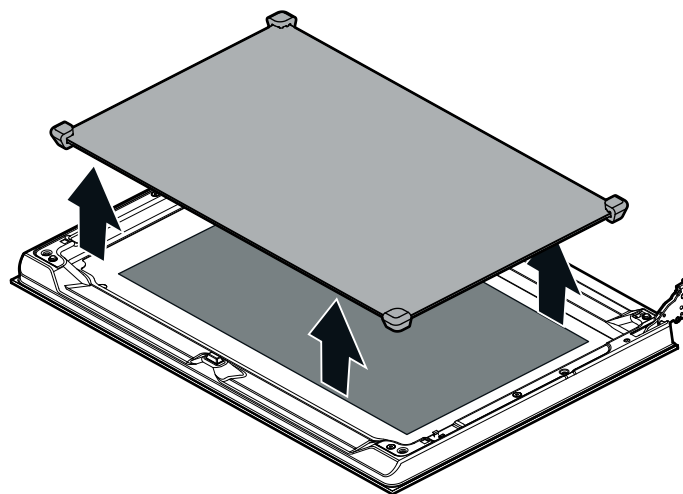
En levant la vitre intérieure, il se peut que la vitre du milieu reste collée à la vitre intérieure. Veiller à ce que la vitre du milieu ne tombe pas.



5. Enlever la vitre intérieure.
6. Enlever la vitre du milieu.



**Remarque :** La vitre du milieu n'est pas fixée avec des tiges de fixation mais est maintenue en position par des supports en caoutchouc.





Nettoyer les vitres avec un nettoyant pour vitres et un chiffon doux.

### ▲ AVERTISSEMENT

#### RISQUE DE BLESSURE

Lorsque le verre de la porte est rayé, il peut sauter. Ne pas utiliser de grattoir à verre, ni de produits agressifs ou abrasifs.

### Pose des vitres de la porte

1. Remettre la vitre du milieu.

**Remarque :** Veiller à ce que la vitre soit correctement en place. Tous les supports en caoutchouc doivent reposer à plat sur la vitre extérieure.

2. Remettre la vitre intérieure.

**Remarque :** Les quatre tiges de fixation doivent s'enclencher dans les fixations prévues à cet effet.

3. Enlever les tiges de sécurité et fermer la porte du four.

### Décrocher et accrocher la porte de l'appareil

En cas d'encrassement très important, la porte du four peut être décrochée pour faciliter le nettoyage. Cependant, cela n'est pas nécessaire en cas d'encrassement normal.

### ▲ ATTENTION

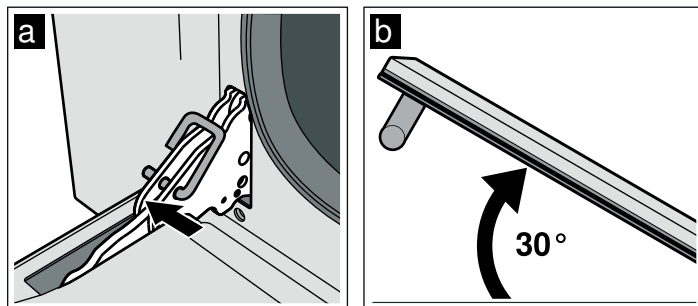
- Avant d'enlever la porte, s'assurer que le four est froid et que le courant qui l'alimente a été coupé. Le non-respect de cette précaution pourrait entraîner un choc électrique ou des brûlures.
- La porte du four est lourde et certaines parties sont fragiles. Utilisez les deux mains pour l'enlever. Le devant de la porte est en verre. Manipuler avec précautions pour éviter les cassures.
- Saisir uniquement les côtés de la porte. Ne prenez pas la poignée, car elle peut osciller dans la main et causer des dommages ou des blessures.
- Si la porte du four n'est pas saisie fermement et correctement, il y a un risque de lésion corporelle ou de dommage au produit.
- Pour éviter toute blessure causée par l'enclenchement soudain du support charnière, s'assurer que les deux leviers sont bien enclenchés avant d'enlever la porte. En outre, ne forcez la porte pour l'ouvrir ou la fermer, car la charnière pourrait s'endommager et vous pourriez vous blesser.
- Après avoir démonté la porte, ne pas la poser sur des objets acérés ou pointus car ceux-ci risquent de briser la vitre. Disposer la porte sur une surface plane et lisse afin qu'elle ne risque pas de tomber.

### Décrocher la porte de l'appareil

1. Ouvrir complètement la porte du four.
2. Bloquer les deux charnières à gauche et à droite au moyen de la tige de sécurité (a).

**Remarque :** Les tiges de sécurité doivent être complètement introduites dans les trous des charnières.

3. Saisir la porte du four des deux mains sur les côtés et la fermer d'env. 30° (b).



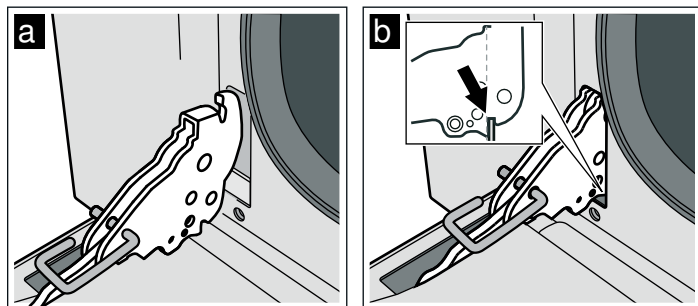
4. Soulever légèrement la porte du four et la retirer.

**Remarque :** Ne pas fermer la porte du four complètement. Cela risque de tordre les charnières et d'endommager l'émail.

### Accrocher la porte de l'appareil

1. Saisir la porte du four des deux mains sur les côtés.
2. Pousser les charnières dans les trous du four (a).

**Remarque :** L'encoche du bas des charnières doit s'enclencher dans le cadre du four (b).



3. Abaisser la porte.
4. Retirer les tiges de sécurité.

### ▲ AVERTISSEMENT

#### RISQUE DE BLESSURE

Si la porte du four tombe par inadvertance ou une charnière se ferme, ne pas toucher la charnière. Appeler le service après-vente.

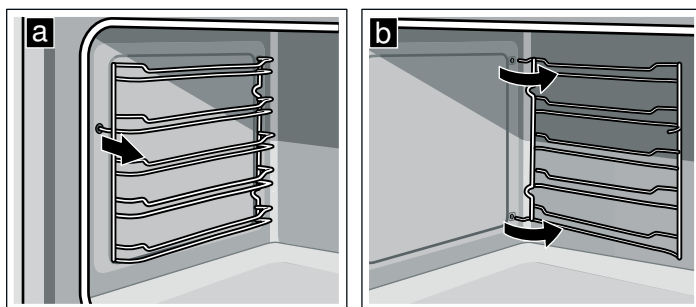
## Retrait et montage des grilles porte-accessoires

Pour pouvez décrocher les grilles porte-accessoires pour faciliter le nettoyage.

### Retrait des grilles porte-accessoires

Les grilles porte-accessoires sont fixées respectivement à trois points sur les parois latérales dans le compartiment de cuisson.

1. Saisir les grilles porte-accessoires sur le devant et les tirer vers le milieu du compartiment de cuisson.  
Le crochet avant de la grille porte-accessoires se détache du trou.
2. Ouvrir davantage les grilles porte-accessoires et les retirer des trous arrière de la paroi latérale.
3. Retenir les panneaux catalytiques du compartiment de cuisson.
4. Enlever les grilles porte-accessoires du compartiment de cuisson.



### Montage des grilles porte-accessoires

1. Retenir les panneaux catalytiques du compartiment de cuisson.
2. Engager les crochets de la grille porte-accessoires dans les trous arrière de la paroi latérale.
3. Pousser le crochet avant de la grille porte-accessoires dans le trou.

# Dépannage

Avant de contacter le Service Après-Vente, veuillez songer à suivre les suggestions et les instructions ci-dessous :

## ▲ AVERTISSEMENT

### RISQUE D'ÉLECTROCUTION

Des réparations non conformes sont dangereuses. Les réparations doivent être effectuées par un de nos techniciens qualifiés du service après-vente.

Des réparations non conformes sur votre appareil peuvent présenter des risques considérables pour l'utilisateur.

Problème	Cause possible	Notes/solution
L'appareil ne fonctionne pas.	Fusible défectueux.	Regardez dans la boîte à fusibles et vérifiez que le disjoncteur pour l'appareil est fonctionnel.
	Panne de courant.	Vérifiez si la lumière de la cuisine fonctionne.
Le four ne peut pas être éteint.	Les composants électroniques sont défectueux.	Désactivez le disjoncteur. Contactez le service après-vente.
L'affichage de l'horloge clignote.	Panne de courant.	Réinitialisez l'horloge.
Le four ne chauffe pas.	Fusible défectueux.	Vérifiez le fusible et remplacez-le si nécessaire.
	Le sélecteur de fonction n'est pas réglé.	Réglez le sélecteur de fonction.
La porte en vitre est brisée.		Éteignez l'appareil. Contactez le service après-vente.
Taches de jus de fruit ou d'albumen sur les surfaces émaillées.	Gâteau humide ou jus de viande.	Changement sans conséquence sur l'émail, ne peut être enlevé.
Le four cesse de fonctionner au cours d'un programme et le ventilateur de refroidissement continue de fonctionner à une vitesse élevée même lorsque le sélecteur de fonction est réglé à la position <b>Désactivé</b> .	Problème avec le thermostat	<ol style="list-style-type: none"><li>1. Réglez le sélecteur de fonction à la position <b>Désactivé</b>. Le ventilateur de refroidissement continue de fonctionner à une vitesse élevée.</li><li>2. une vitesse élevée.</li><li>3. Attendez 10 secondes.</li></ol> Réglez le sélecteur de fonction à une nouvelle position. <b>Si l'erreur se produit de nouveau en réglant une nouvelle fonction :</b> Débranchez le four de l'alimentation électrique puis rebranchez l'alimentation électrique. <b>Si l'erreur se produit de nouveau après avoir rebranché l'alimentation électrique :</b> Contactez le service après-vente.

## Changer la lampe du four

Si la lampe du four est défectueuse, vous devez la changer. Des ampoules de rechange résistantes aux températures élevées sont en vente auprès du service après-vente ou dans les commerces spécialisés. Veuillez indiquer les numéros E et FD de votre appareil. N'utilisez pas d'autres ampoules.

### ⚠ ATTENTION

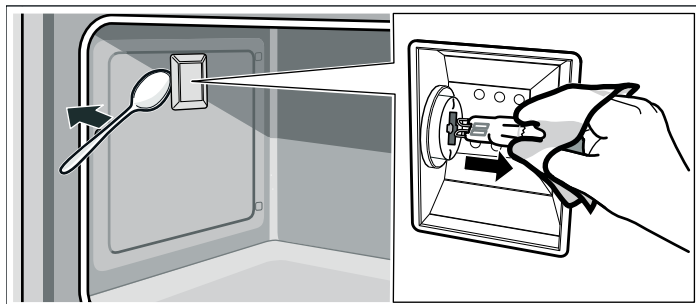
PENDANT LE REMPLACEMENT DE L'AMPOULE DU FOUR :

- Avant de remplacer une ou plusieurs ampoules, s'assurer que l'appareil et l'éclairage sont froids et veiller à couper l'alimentation électrique de l'appareil. Le non-respect de cette précaution pourrait entraîner un choc électrique ou des brûlures.
- Les lentilles doivent être en place lors de l'utilisation de l'appareil.
- Elles permettent d'éviter que les ampoules ne se cassent.
- Les lentilles sont en verre. Manipuler avec précautions pour éviter les cassures. Les brisures de verre peuvent blesser quelqu'un.
- La douille d'éclairage est sous tension lorsque la porte est ouverte.

### ⚠ AVERTISSEMENT

Si l'alimentation principale n'est pas coupée, la douille reste sous tension lorsque la porte est ouverte.

1. Retirer la fiche secteur ou désactiver le fusible dans le boîtier à fusibles
2. Laisser refroidir le compartiment de cuisson.
3. Ouvrir la porte de l'appareil.
4. Étaler un torchon dans le compartiment de cuisson afin d'éviter des dommages.
5. Retirer les grilles porte-accessoires.
6. Enlever le couvercle en verre. Pour ce faire, ouvrir le couvercle en verre frontal avec la main. Si le couvercle en verre s'enlève difficilement, utiliser une cuillère comme aide.
7. Retirer l'ampoule du four.



8. Remplacer l'ampoule du four par une ampoule de type identique :

**Tension** : 120 V;

**Puissance** : 40 W;

**Culot** : G9

**Résistance à la température** : 570 °F (300 °C)

9. Remettre en place le couvercle en verre de la lampe du four.
10. Monter les grilles porte-accessoires.
11. Retirer le torchon à vaisselle.
12. Réarmer le fusible.
13. Vérifier si l'éclairage du four refonctionne.

# Soutien Bosch®

## Avant d'appeler le service de réparations

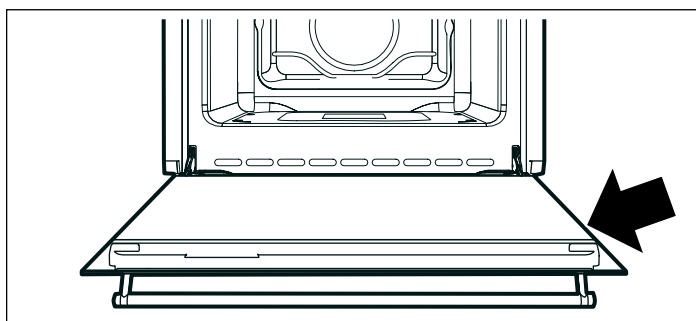
Consultez le manuel d'utilisation et d'entretien pour les renseignements de dépannage. Consultez l'« Énoncé de garantie limitée du produit » dans le manuel d'utilisation et d'entretien.

Pour communiquer avec un représentant en réparations, consultez les coordonnées au début du manuel ou dans la section qui suit. Lorsque vous téléphonez, soyez prêt à fournir les informations imprimées sur l'étiquette de cote du produit.

## Plaque signalétique

La plaque signalétique affiche le modèle et le numéro de série. Consultez la plaque signalétique de l'appareil lorsque vous sollicitez une réparation.

La plaque signalétique se trouve sur le côté droit à l'intérieur de la porte de l'appareil.



Pour éviter de devoir chercher chaque information lors de votre appel, vous pouvez inscrire les quatre éléments requis dans les espaces fournis ci-dessous.

---

**Numéro de modèle**

---

**Numéro FD**

---

**Date d'achat**

---

**Service après-vente** ☎

---

Conservez votre facture ou votre contrat aux fins de validation de garantie si jamais vous avez besoin d'une réparation.

## Service

Nous réalisons que vous avez effectué un investissement considérable dans votre cuisine. Nous nous engageons à offrir tout le support dont vous et votre appareil avez besoin afin que vous puissiez profiter pleinement de votre appareil.

Ne pas hésiter à contacter notre département de service à la clientèle si vous avez des questions ou dans le cas peu probable que votre appareil Bosch® ait besoin d'entretien. Notre équipe de service est prête à vous aider.

### USA

800-944-2904

[www.bosch-home.com/us/support](http://www.bosch-home.com/us/support)

### Canada

800-944-2904

[www.bosch-home.ca/en/support](http://www.bosch-home.ca/en/support)

## Pièces et accessoires

Les pièces, les filtres, les décalamineuses, les nettoyeurs en acier inoxydable et plus encore peuvent être achetés dans le magasin en ligne Bosch ou par téléphone.

### USA

[www.bosch-home.com/us/store](http://www.bosch-home.com/us/store)

### Canada

Marcone 800-482-6022

ou

Reliable Parts 800-941-9217

# Conseils pour l'utilisation

Vous trouverez ici des conseils concernant les récipients et la préparation.

## Remarques

- Utilisez les accessoires livrés avec l'appareil. Des accessoires supplémentaires sont en vente dans les commerces spécialisés ou auprès du service après-vente comme accessoires optionnels. Avant l'utilisation, retirez du compartiment de cuisson tous les accessoires et récipients qui ne sont pas nécessaires.

- Utilisez toujours des maniques pour retirer des accessoires ou récipients chauds du compartiment de cuisson.

## Cuisson de pain et de pâtisseries

### Moules

- Utilisez avant tout des moules ou plaques à pâtisserie de couleur claire.
- Placez toujours les moules à gâteaux au centre de la grille.

## Conseils pour la pâtisserie

Comment vérifier si votre gâteau est bien cuit.	À l'aide d'un bâtonnet en bois, piquez le sommet du gâteau environ 10 minutes avant la fin du temps de cuisson indiqué dans la recette. Le gâteau est cuit si la pâte n'adhère plus au bâtonnet.
Le gâteau s'affaisse.	La fois suivante, veillez à ce que la pâte soit moins liquide ou bien réduisez la température du four de 10 degrés. Respectez les temps de malaxage indiqués dans la recette.
Le gâteau a monté davantage au centre que sur les bords.	Ne graissez pas le tour du moule démontable. Après la cuisson, détachez soigneusement le gâteau à l'aide d'un couteau.
Le dessus du gâteau est trop cuit.	Enfournez-le plus bas, choisissez une température plus basse et faites cuire le gâteau un peu plus longtemps.
Le gâteau est trop sec.	À l'aide d'un cure-dent, percez plusieurs petits trous dans le gâteau cuit. Arrosez de jus de fruit ou de liquide légèrement alcoolisé. La prochaine fois, augmentez la température de 10 degrés et réduisez les temps de cuisson.
Le pain ou le gâteau (par ex. gâteau au fromage blanc) a un bel aspect mais l'intérieur est pâteux (filets d'eau à l'intérieur)	La prochaine fois, utilisez moins de liquide, réduisez la température et augmentez le temps de cuisson. En cas de gâteau avec une garniture fondante, faites d'abord précuire le fond. Saupoudrez-le de poudre d'amandes ou de chapelure et mettez ensuite la garniture. Respectez les recettes et les temps de cuisson.
Les pâtisseries ne sont pas uniformément dorées.	Baissez la température, la cuisson sera plus uniforme. Le papier cuisson dépassant de la plaque peut gêner la circulation de l'air. Découpez toujours le papier aux dimensions de la plaque.
Le dessous de la tarte aux fruits est trop clair.	La fois suivante, enfournez le gâteau un niveau plus bas.
Le jus des fruits a coulé.	La fois suivante, utilisez la lèchefrite à bords hauts (s'il y en a).
Les petites pâtisseries en pâte levée collent ensemble pendant la cuisson.	Disposez les pièces de pâtisserie sur la plaque en respectant un espace d'env. 2 cm autour de chaque pièce. Il y aura ainsi suffisamment de place pour que les pièces de pâtisserie puissent gonfler et dorer tout autour.
La cuisson de gâteaux aux fruits juteux produit de la condensation.	La cuisson peut générer de la vapeur d'eau. Elle s'échappe au-dessus de la porte. Cette vapeur peut se condenser sur le bandeau de commande ou sur les façades des meubles situés à proximité et se mettre à goutter. C'est là un phénomène physique normal.



## Rôtissage et grillade

### Récipient

Vous pouvez utiliser tout récipient résistant à la chaleur. Placez toujours le récipient au centre de la grille. La plaque à pâtisserie émaillée est également appropriée pour les gros rôtis.

### Conseils pour le rôtissage

- Une température plus basse permet d'obtenir des mets dorés plus uniformément.
- Versez 2 à 3 cuillerées à soupe de liquide sur la viande maigre et 8 à 10 cuillerées à soupe sur les rôtis à braiser, selon leur taille.
- Pour les canards ou les oies, piquez la peau sous les ailes afin que la graisse puisse s'écouler.
- Pour obtenir une peau de volaille dorée et croustillante, enduisez la peau de beurre ou versez de l'eau salée ou du jus d'orange sur la peau vers la fin de la cuisson.
- Retournez les pièces de viande à mi-cuisson.
- Une fois le rôti cuit, laissez-le reposer encore 10 minutes dans le four éteint et fermé. Cela permet au jus de rôti de mieux se répartir.
- Lors du rôtissage de gros morceaux de viande, une plus forte formation de vapeur peut se produire et se condenser sur la porte du four. C'est un phénomène normal qui n'a aucune influence sur le bon

### Conseils pour le rôtissage

Comment savoir si le rôti est cuit.	Utilisez un thermomètre pour viande (en vente dans les commerces) ou bien faites le « test de la cuillère ». Appuyez sur le rôti avec une cuillère. Si vous sentez une résistance, le rôti est cuit. Si la cuillère s'enfonce, allongez le temps de cuisson.
Le rôti est trop cuit et l'extérieur est brûlé par endroits.	Vérifiez le niveau d'enfournement ainsi que la température.
Le rôti a un bel aspect mais la sauce est brûlée.	La fois suivante, choisissez un plat à rôtir plus petit et ajoutez plus de liquide.
Le rôti a un bel aspect, mais la sauce est trop claire et insipide.	La fois suivante, choisissez un plat à rôtir plus grand et ajoutez moins de liquide.

## Testés pour vous dans notre laboratoire

Vous trouverez ici un choix de plats et les réglages optimaux correspondants. Nous vous indiquons le mode de cuisson, la température et le niveau d'enfournement les plus appropriés pour votre plat.

### Remarques

- Les durées indiquées dans les tableaux sont des valeurs indicatives. Elles dépendent de la qualité et de la nature des aliments.
- Utilisez les accessoires livrés avec l'appareil. Des accessoires supplémentaires sont en vente dans les commerces spécialisés ou auprès du service après-vente comme accessoires optionnels.  
Avant l'utilisation, retirez du compartiment de cuisson tous les accessoires et récipients dont vous n'aurez pas besoin.

fonctionnement de l'appareil. Après la cuisson, essuyez la porte du four et la vitre avec un chiffon.

- Si vous faites des grillades sur la grille, enfournez en plus la plaque à pâtisserie émaillée au niveau 1 pour récupérer la graisse.

### Conseils pour les grillades

- Prenez si possible des pièces à griller de la même épaisseur. Elles doivent faire au moins 1 pouce (2 à 3 cm) d'épaisseur. Elles seront alors uniformément dorées et bien juteuses.
- Placez les pièces à griller au centre de la grille. Versez un peu d'eau sur la plaque à pâtisserie émaillée et enfournez-la en plus sous la grille, afin de récupérer la graisse. Ne la placez jamais sur la sole du compartiment de cuisson.
- Badigeonnez les pièces à griller d'un peu d'huile, avant de les placer sur la grille sous le gril.
- Retournez à mi-cuisson les pièces peu épaisses, retournez les pièces épaisses plusieurs fois pendant le temps de cuisson. Utilisez pour cela une pince à grillade, les pièces à griller ne seront ainsi pas transpercées et le jus de viande restera dans le rôti par exemple.
- Les types de viande rouge comme l'agneau et le bœuf brunissent davantage et plus rapidement que la viande blanche comme le porc et le veau.

<b>Aliment</b>	<b>Poids lb (kg)</b>	<b>Fonction</b>	<b>Position de grille à partir du bas</b>	<b>Température en °F (°C)</b>	<b>Temps (minutes)</b>	
Lasagne	6 ¾ - 8 (3 - 4)	Cuisson	1	400 - 450 (205 - 230)	45 - 50	
Pâtes au four	6 ¾ - 8 (3 - 4)	Cuisson	1	400 - 450 (205 - 230)	45 - 50	
Porc	4 ½ (2)	Cuisson à convection	2	350 (175)	70 - 80	
Saucisses	3 ⅓ (1,5)	Gril plus à convection	4	500 (260)	15	
Rosbif	2 ¼ (1)	Cuisson à convection	2	500 (260)	40 - 45	
Poitrine de dinde	6 ¾ (3)	Cuisson à convection	2	350 (175)	110 - 120	
Poulet rôti	2 ⅔ (1,2)	Cuisson à convection	2	350 (175)	65 - 70	
					1 <sup>ère</sup> surface	2 <sup>e</sup> surface
Côtelettes de porc	3 ⅓ (1,5)	Gril plus à convection	4	500 (260)	15	5
Côtes levées	3 ⅓ (1,5)	Gril plus à convection	4	500 (260)	10	10
Bacon	1 ¾ (0,7)	Gril Plus	5	500 (260)	7	8
Filets de porc	3 ⅓ (1,5)	Gril plus à convection	4	500 (260)	10	5
Filets de boeuf	2 ¼ (1)	Gril Plus	5	500 (260)	10	7
Saumon	1 ⅓ (0,6)	Cuisson à convection	2	300 (150)	25 - 30	
Pizza	2 ¼ (1)	Aliments conge- lés	2	500 (260)	8 - 9	
Pain	2 ¼ (1)	Aliments conge- lés	2	350 - 400 (175 - 205)	25 - 30	
Focaccia	2 ¼ (1)	Aliments conge- lés	2	350 (175)	20 - 25	
Gâteau de Savoie	2 ¼ (1)	Tarte	2	300 (150)	55 - 60	
Gâteau au fromage	2 ¼ (1)	Tarte	2	300 - 350	55 - 60	
Choux à la crème	2 ⅔ (1,2)	Tarte	2	350 (175)	80 - 90	
Gâteau de Savoie léger	2 ¼ (1)	Tarte	2	300 - 350 (150 - 175)	55 - 60	
Biscuits	2 ¼ (1)	Convection Multi-Rack	2 - 4	300 (150)	20 - 25	

Les temps indiqués dans le tableau ne comprennent pas les temps de préchauffage et sont fournis à titre indicatif seulement.

# ÉNONCÉ DE LA GARANTIE LIMITÉE

## Couverture de la garantie limitée

La garantie limitée fournie par BSH Home Appliances Corporation (ci-après « Bosch ») dans cet énoncé de garantie limitée de produit s'applique seulement à l'appareil électroménager Bosch (« Produit ») qui vous a été vendu à titre de premier acheteur, pour autant que le produit ait été acheté :

- Pour une utilisation normale, résidentielle (non commerciale), et qu'en fait, en tout temps, a été utilisé pour un usage domestique normal.
- Neuf au moment de la vente au détail (non en montre, « tel quel » ou un modèle retourné antérieurement), qu'il n'est pas destiné à la revente ni à un usage commercial.
- Aux États-Unis ou au Canada et qu'il est demeuré en tout temps dans le pays où l'appareil a été acheté.

Les garanties aux présentes s'appliquent à l'acheteur original du Produit sous garantie et à tout propriétaire successif du produit acheté pour une utilisation résidentielle habituelle et la durée de la garantie.

Veuillez vous assurer de retourner la carte d'enregistrement, quoiqu'elle n'est pas nécessaire, pour la couverture par la garantie. C'est la meilleure façon dont BSH peut vous aviser dans le cas peu probable d'un avis de rappel ou de sécurité du produit.

## Durée de la garantie

BSH garantit que le produit ne présente aucun défaut de matériaux ou de fabrication pour une période trois cent soixante cinq (365) jours à compter de la date d'achat. La durée commence à la date d'achat et ne sera pas allongée, prolongée, interrompue pour quelle que raison que ce soit.

Ce Produit est également garanti contre tout défaut de matériau et de fabrication *apparent* (tels les éraflures sur l'acier inoxydable, les défauts d'aspect de la peinture ou de la porcelaine, les ébréchures, les bosselures, ou autres dégâts au fini du Produit), pendant une période de trente (30) jours à compter de la date d'achat ou de la date de clôture pour une nouvelle construction. Cette garantie relative à *l'apparence* exclut les légères variations de couleur découlant des différences inhérentes aux pièces peintes et en porcelaine, ainsi que découlant des différences causées par l'éclairage de cuisine, l'emplacement du produit ou d'autres facteurs similaires. Cette garantie relative à *l'apparence* exclut plus particulièrement tout appareil électroménager en exposition, de plancher, « En l'état » ou de stock « B ».

## Réparation ou remplacement comme solution exclusive

Pendant la période de garantie, BSH ou un de ses centres de service autorisés réparera le produit sans frais (sujet à certaines limitations indiquées dans le présent document), si le produit présente un défaut de fabrication ou de matériaux. Si des tentatives raisonnables pour réparer le produit sont vaines, alors BSH remplacera le produit (un modèle supérieur peut

être disponible, à la seule discrétion de BSH, moyennant des frais additionnels). Toutes les pièces ou les composants enlevés demeurent la seule propriété de BSH. Toute pièce et tout composant réparés doit être identique à la pièce d'origine à des fins de cette garantie et la garantie ne sera pas prolongée en regard de telles pièces. La seule responsabilité de BSH est de faire réparer le produit défectueux par un centre de service autorisé pendant les heures d'affaires normales. Pour la sécurité et éviter des dommages à la propriété, BSH recommande fortement de ne pas réparer le produit soi-même, par une personne non qualifiée ; BSH ne sera pas tenu responsable des réparations ou du travail effectué par une personne non autorisée. Si le consommateur désire faire réparer par une personne autre qu'une personne autorisée, CETTE GARANTIE EST AUTOMATIQUEMENT NULLE ET NON AVENUE. Les centres de service autorisés sont les personnes ou les compagnies qui ont été spécialement formées sur les produits BSH et qui possèdent, selon l'opinion de BSH, une réputation supérieure pour le service à la clientèle et la capacité technique (il est à noter qu'elles sont des entités indépendantes et non des agents, partenaires, affiliations ou représentants de BSH). Nonobstant ce qui suit, BSH ne sera pas tenu responsable d'aucune façon si le produit est situé dans une région éloignée (supérieure à 100 miles d'un centre de service autorisé) ou n'est pas accessible de façon raisonnable, dans un environnement hasardeux, dangereux ; dans une telle éventualité, à la demande du consommateur, BSH pourrait payer les frais de main-d'oeuvre et de pièces et expédier les pièces à un centre de service autorisé le plus près, mais le consommateur serait entièrement responsable pour toute durée de déplacement et autres frais spéciaux encourus par le centre de service, en autant qu'il accepte l'appel de service.

## Produit hors garantie

BSH n'a aucun obligation, par loi ou autre, d'offrir toute concession, incluant réparation, prorata ou remplacement de produit une fois la garantie expirée.

## Exclusions à la garantie

La couverture de garantie décrite aux présentes exclut tout défaut ou dommage qui n'est pas une faute directe de BSH, y compris sans limitation, un ou plusieurs des cas suivants :

- utilisation du produit autre qu'un usage normal, habituel et de la façon destinée (incluant sans limitation toute forme d'utilisation commerciale, d'utilisation ou de rangement d'un produit pour l'intérieur à l'extérieur, utilisation du produit de concert avec un transporteur aérien ou marin) ;
- mauvaise conduite, négligence, mauvaise utilisation, abus, accidents, fonctionnement inadéquat, mauvais entretien, installation inadéquate ou négligente, altération, manquement d'observer les instructions de fonctionnement, mauvaise manipulation, service non

- autorisé (incluant réparation par le consommateur ou exploration du fonctionnement interne du produit) ;
- ajustement, modification ou altération de toute sorte ;
  - manquement à la conformité des normes applicables fédérales, provinciales, municipales ou électrique du pays, codes de plomberie et/ou de construction, réglementation ou lois, incluant le manquement d'installer le produit en stricte conformité avec les codes et réglementations de construction et d'incendie locaux ;
  - usure ordinaire, déversements d'aliments, liquide, accumulation de graisse ou autres substances accumulées dans, sur ou autour du produit ;
  - toute force ou tout facteur externe, élémentaire et/ou environnemental, incluant sans limitation, pluie, vent, sable, inondation, incendie, coulée de boue, gel, humidité excessive et exposition prolongée à l'humidité, foudre, surtension, problème de structure autour de l'appareil et actes de Dieu.

En aucun cas, BSH ne sera tenu responsable des dommages survenus à la propriété, incluant les armoires, planchers, plafonds et autres objets ou structures autour du produit. Également exclus de la garantie sont des produit sur lequel le numéro de série a été modifié, altéré, effacé, enlevé ; appel de service pour enseigner le fonctionnement du produit ou les visites où il n'y a aucun problème avec le produit ; correction de problèmes d'installation (le consommateur est seul responsable pour toute structure et tout réglage du produit, incluant l'électricité, la plomberie et autres connexions nécessaires, pour un plancher/fondation appropriée, et pour toute modification incluant, sans limitation, armoire, mur, plancher, tablette, etc.) et la remise de coupe-circuit ou remplacement de fusible.

SELON LA PORTÉE PERMISE PAR LA LOI, CETTE GARANTIE DONNE DES SOLUTIONS EXCLUSIVE RELATIVEMENT AU PRODUIT, QUE LA RÉCLAMATION SURVIENNE PAR CONTRAT OU TORT (INCLUANT RESPONSABILITÉ STRICTE OU NÉGLIGENCE) OU AUTRE. CETTE GARANTIE EST EN LIEU DE TOUTE AUTRE GARANTIE, EXPRESSE OU IMPLICITE, TOUTE GARANTIE PAR LOI, À DES FINS DE COMMERCIALISATION OU À DES FINS PARTICULIÈRES, OU AUTRE, SERA EN VIGUEUR SEULEMENT POUR LA PÉRIODE EFFECTIVE DE LA GARANTIE LIMITÉE EXPRESSE. EN AUCUN CAS, LE FABRICANT NE PEUT ÊTRE TENU RESPONSABLE DES DOMMAGES ACCESSOIRES, SPÉCIAUX, INDIRECTS, PERTES D'AFFAIRES, ET/OU DOMMAGES PUNITIFS, PERTES, FRAIS INCLUANT SANS LIMITATION LE MANQUEMENT AU TRAVAIL, REPAS À L'HÔTEL ET/OU AU RESTAURANT, FRAIS DE REMODELAGE SURVENUS À CAUSE DE DOMMAGES DIRECTS DÉFINITIVEMENT CAUSÉS EXCLUSIVEMENT PAR BSH OU AUTRE. CERTAINS ÉTATS NE PERMETTENT PAS L'EXCLUSION OU LA LIMITATION DES DOMMAGES ACCESSOIRES OU INDIRECTS ET NE PERMETTENT PAS LA LIMITATION SUR LA DURÉE D'UNE GARANTIE IMPLICITE, PAR CONSÉQUENT LES LIMITATIONS SUSMENTIONNÉES PEUVENT NE PAS S'APPLIQUER. CETTE GARANTIE DONNE DES DROITS SPÉCIFIQUES ET IL PEUT Y EN AVOIR D'AUTRES QUI VARIENT D'UN ÉTAT À L'AUTRE.

Aucune tentative de modifier, changer ou amender cette garantie ne peut être effective sans le consentement écrit autorisé par un officier de BSH.

# Contenido

<b>▲ Definiciones de seguridad .....</b>	<b>47</b>	Montaje y desmontaje de los cristales de la puerta ..	58
<b>INSTRUCCIONES DE SEGURIDAD IMPORTANTES .</b>	<b>48</b>	Montaje y desmontaje de la puerta del aparato .....	59
Instalación y mantenimiento adecuados .....	48	Montaje y desmontaje de las guías laterales .....	60
Seguridad para evitar incendios .....	48	<b>Resolución de problemas .....</b>	<b>61</b>
Prevención de quemaduras .....	49	Sustitución del foco del horno .....	62
Seguridad de los niños .....	50	<b>Soporte de Bosch® .....</b>	<b>63</b>
Seguridad en la limpieza .....	50	Antes de llamar al servicio técnico .....	63
Seguridad en los utensilios de cocina .....	50	Placa de características .....	63
Advertencia en virtud de la Proposición 65: .....	50	Servicio técnico .....	63
<b>Causas para los daños .....</b>	<b>51</b>	Piezas y accesorios .....	63
<b>Protección del medio ambiente .....</b>	<b>51</b>	<b>Consejos de aplicación .....</b>	<b>64</b>
Consejos para ahorrar energía .....	51	Horneado .....	64
<b>Su nuevo aparato .....</b>	<b>52</b>	Asado y asado al grill .....	65
Horno .....	52	Platos probados en nuestro estudio de cocina .....	65
Selector de funciones .....	52	<b>DECLARACIÓN DE GARANTÍA LIMITADA DEL</b>	
Selector de temperatura .....	53	<b>PRODUCTO .....</b>	<b>67</b>
Timer (Temporizador) .....	53	Qué cubre esta garantía y a quiénes se aplica .....	67
Accesorios .....	54	Duración de la garantía .....	67
<b>Antes del primer uso .....</b>	<b>55</b>	Reparación/reemplazo como único recurso .....	67
Ajuste de la hora .....	55	Producto fuera de garantía .....	67
Calentamiento del horno .....	55	Exclusiones de la garantía .....	68
Limpieza de los accesorios .....	55		
<b>Operación .....</b>	<b>55</b>		
Conexión del horno .....	55		
Temporizador de cocina .....	55		
Ajuste del temporizador .....	56		
Ajustes básicos .....	56		
<b>Cuidados y limpieza .....</b>	<b>57</b>		
Productos de limpieza .....	57		
Revestimiento catalítico del interior del horno .....	58		

Encontrará más información sobre productos, accesorios, piezas de repuesto y servicios en internet: [www.bosch-home.com](http://www.bosch-home.com) y también en la tienda online: [www.bosch-home.com/us/store](http://www.bosch-home.com/us/store)

Este electrodoméstico de Bosch es hecho por  
BSH Home Appliances Corporation  
1901 Main Street, Suite 600  
Irvine, CA 92614

¿Preguntas?

1-800-944-2904

[www.bosch-home.com/us](http://www.bosch-home.com/us)

¡Esperamos oír de usted!

---

## Definiciones de seguridad

---

### **ADVERTENCIA**

Esto indica que pueden producirse heridas graves o incluso la muerte si no se cumple con esta advertencia.

---

---

### **ATENCION**

Esto indica que pueden producirse heridas leves o moderadas si no se cumple con esta advertencia.

---

**AVISO:** Esto indica que pueden producirse daños en el aparato o en los bienes si no se cumple con este aviso.

**Nota:** Esto alerta sobre información o sugerencias importantes.



# INSTRUCCIONES DE SEGURIDAD IMPORTANTES

## LEA Y CONSERVE ESTAS INSTRUCCIONES

---

### ADVERTENCIA

---

Su nuevo electrodoméstico ha sido diseñado para ser seguro y confiable si recibe el cuidado adecuado. Lea atentamente todas las instrucciones antes de usarlo. Estas precauciones reducirán el riesgo de quemaduras, descarga eléctrica, incendio y lesiones a personas. Al utilizar electrodomésticos de cocina, se deben tomar precauciones de seguridad básicas, incluidas las que se encuentran en las páginas siguientes.

---

### Instalación y mantenimiento adecuados

Pídale al instalador que le muestre la ubicación del disyuntor o el fusible. Márquela para recordarla más fácilmente.

Este electrodoméstico debe ser correctamente instalado y conectado a tierra por un técnico calificado. Conéctelo sólo a una toma de corriente eléctrica correctamente conectada a tierra. Para obtener más información, consulte las Instrucciones de instalación.

Este electrodoméstico ha sido diseñado para uso doméstico normal únicamente. No está aprobado para uso en exteriores. Consulte la Declaración de Garantía limitada del Producto. Si tiene alguna pregunta, comuníquese con el fabricante.

No almacene ni utilice productos químicos corrosivos, vapores, materiales inflamables ni productos no alimenticios dentro de este electrodoméstico ni cerca de él. Está específicamente diseñado para calentar o cocinar alimentos. El uso de productos químicos corrosivos al calentar o limpiar dañará el electrodoméstico y podría causar lesiones.

No utilice este electrodoméstico si no funciona correctamente o si ha sido dañado. Comuníquese con un centro de servicio técnico autorizado.

No obstruya las aberturas de ventilación del horno.

No repare ni cambie ninguna parte del electrodoméstico, a menos que se recomiende específicamente en este manual. Remita todas las reparaciones a un centro de servicio técnico autorizado.

En caso de error, la pantalla titila y emite bips en forma continua. Desconecte el electrodoméstico de la fuente de alimentación eléctrica y llame a un técnico autorizado.

---

### ADVERTENCIA

---

Al retirar la puerta asegúrese de que el horno esté frío y de que la alimentación eléctrica del horno esté apagada antes de retirar la puerta. No hacerlo podría ocasionar quemaduras.

---

La puerta del horno es pesada y frágil. Use las dos manos para retirar la puerta del horno. El frente de la puerta es de vidrio. Manipúlela con cuidado para que no se rompa.

Tome la puerta del horno solamente por los costados. No la tome de la manija, porque puede deslizarse de la mano y causar lesiones o daños.

No tomar la puerta del horno con firmeza y correctamente podría ocasionar lesiones personales o daños al producto.

Coloque la puerta en una superficie plana y lisa de manera que no se caiga. No hacerlo puede ocasionar lesiones personales o daños al electrodoméstico.

---

### ADVERTENCIA

---

Para evitar lesiones cuando se cierra la bisagra, asegúrese de que ambas palancas estén firmemente en su lugar antes de retirar la puerta. Tampoco abra ni cierre la puerta forzándola; la bisagra se podría dañar y ocasionar lesiones.

---

### ADVERTENCIA

---

Asegúrese de que el electrodoméstico y las luces se hayan enfriado, y de que la alimentación eléctrica del electrodoméstico esté apagada antes de cambiar el (los) foco(s). No hacerlo podría ocasionar una descarga eléctrica o quemaduras. La lente (si viene incorporada) debe estar en su lugar al usar el electrodoméstico. La lente (si viene incorporada) sirve para proteger el foco contra roturas. La lente (si viene incorporada) es de vidrio. Manipúlela con cuidado para que no se rompa. El vidrio roto podría causar una lesión.

---

### ADVERTENCIA

---

El portalámparas tiene corriente cuando la puerta está abierta si la fuente de alimentación eléctrica principal no está apagada.

---

### Seguridad para evitar incendios

#### ADVERTENCIA

---

NUNCA cubra ranuras, orificios ni conductos en la parte inferior del horno ni cubra toda una rejilla con materiales como papel de aluminio. Al hacerlo, bloquea el flujo de aire a través del horno. Los revestimientos de papel de aluminio también pueden atrapar el calor y causar un peligro de incendio.

---

Si los materiales dentro de un horno o cajón calentador se prenden fuego, mantenga la puerta cerrada. Apague el electrodoméstico y desconecte el circuito en la caja de disyuntores.

# INSTRUCCIONES DE SEGURIDAD IMPORTANTES

## LEA Y CONSERVE ESTAS INSTRUCCIONES

---

### ADVERTENCIA

---

Utilice este electrodoméstico únicamente para el fin para el cual fue diseñado, según se describe en este manual. NUNCA utilice este electrodoméstico como estufa para calentar o calefaccionar la habitación. Esto puede hacer que el electrodoméstico se caliente en exceso. Nunca utilice el electrodoméstico para almacenar objetos.

---

Siempre tenga un detector de humo en funcionamiento cerca de la cocina.

En el caso de que su ropa se prenda fuego, arrójese al piso y ruede de inmediato para extinguir las llamas.

Tenga un extinguidor de incendio disponible, cerca, en un área fácilmente visible y accesible, cerca del electrodoméstico.

Sofoque las llamas provocadas por alimentos que se prenden fuego, que no sean incendios ocasionados por grasa, con bicarbonato de sodio. Nunca use agua en incendios ocasionados al cocinar.

---

### ADVERTENCIA

---

PARA REDUCIR EL RIESGO DE LESIONES A PERSONAS EN CASO DE INCENDIO OCASIONADO POR GRASA, SIGA ESTAS INDICACIONES:

- a. SOFOQUE LAS LLAMAS con una tapa que ajuste correctamente, una placa para galletas u otra bandeja de metal, luego, apague el electrodoméstico. ASEGÚRESE DE PREVENIR LAS QUEMADURAS. Si las llamas no se apagan de inmediato, EVACUE EL ÁREA Y LLAME AL DEPARTAMENTO DE BOMBEROS.
  - b. NUNCA LEVANTE UNA OLLA EN LLAMAS. Puede quemarse.
  - c. NO USE AGUA, ni repasadores o toallas húmedos. Puede ocasionar una violenta explosión por vapor.
  - d. Use un extinguidor sólo si:
    - Sabe que tiene un extinguidor CLASE ABC y ya sabe cómo usarlo.
    - El incendio es pequeño y se limita al área donde se originó.
    - Alguien llamó al departamento de bomberos.
    - Puede combatir el incendio de espaldas a una salida.
- 

### Prevención de quemaduras

NO TOQUE LOS ELEMENTOS DE CALENTAMIENTO NI LAS SUPERFICIES INTERNAS DEL HORNO: Los elementos de calentamiento pueden estar calientes, aunque su color sea oscuro. Las superficies internas de un horno pueden calentarse lo suficiente como para ocasionar quemaduras. Durante el uso y con posterioridad, no toque los elementos de calentamiento ni las superficies internas del horno, ni deje que su ropa, agarradores ni otros materiales inflamables entren en contacto con estos hasta que haya transcurrido el tiempo suficiente para que se enfríen. Otras superficies del electrodoméstico pueden calentarse lo suficiente

como para ocasionar quemaduras. Entre estas superficies, se encuentran las aberturas de ventilación del horno, las superficies cercanas a estas aberturas y las puertas del horno.

Tenga cuidado al abrir el electrodoméstico. Parado a un lado, abra la puerta (o el cajón) lenta y ligeramente para dejar escapar el aire caliente y/o el vapor. Mantenga la cara lejos de la abertura y asegúrese de que no haya niños ni mascotas cerca de la unidad. Después de liberar el aire caliente y/o el vapor, continúe con la cocción. Mantenga las puertas cerradas, a menos que sea necesario para cocinar o limpiar. No deje las puertas abiertas sin vigilancia.

No caliente recipientes de alimentos sin abrir. La acumulación de presión puede hacer explotar el recipiente y causar lesiones.

Proceda con cuidado al cocinar alimentos con alto contenido de alcohol (p. ej., ron, brandy, bourbon) en el horno. El alcohol se evapora a altas temperaturas. Existe un riesgo de que se produzcan quemaduras, dado que los vapores del alcohol pueden prenderse fuego en el horno. Utilice sólo pequeñas cantidades de alcohol en los alimentos, y abra la puerta del horno con cuidado.

Siempre coloque las rejillas del horno en la posición deseada mientras el horno está frío. Utilizar siempre agarradores si el horno está caliente. Si necesita mover la rejilla mientras el horno está caliente, no deje que el agarrador entre en contacto con los elementos de calentamiento.

---

### ATENCIÓN

---

Para evitar posibles daños o lesiones en el electrodoméstico, asegúrese de que la rejilla esté instalada exactamente según las instrucciones de instalación y no hacia atrás ni dada vuelta.

---

Siempre use agarradores secos. Los agarradores húmedos o mojados sobre las superficies calientes pueden ocasionar quemaduras por vapor. No deje que los agarradores toquen los elementos de calentamiento que estén calientes. No use toallas ni otros paños gruesos.

Sujétese todas las prendas, etc. antes de comenzar. Sujétese el cabello largo de manera que no quede suelto, y no use prendas holgadas o sueltas, como corbatas, bufandas, joyas o mangas amplias.

# INSTRUCCIONES DE SEGURIDAD IMPORTANTES

## LEA Y CONSERVE ESTAS INSTRUCCIONES

### Seguridad de los niños

Cuando los niños tienen la edad adecuada para utilizar el electrodoméstico, es responsabilidad de los padres o tutores legales asegurarse de que reciban las instrucciones sobre prácticas seguras por parte de personas calificadas.

No deje que nadie se suba, pare, incline, siente o cuelgue de cualquier parte de un electrodoméstico, especialmente una puerta, cajón calentador o cajón para almacenamiento. Esto puede dañar el electrodoméstico, y la unidad puede caerse y, posiblemente, causar lesiones graves.

No permita que niños utilicen este electrodoméstico, a menos que sean supervisados de cerca por un adulto. Los niños y las mascotas no deben quedar solos o sin vigilancia en el área donde se utilice el electrodoméstico. Nunca se les debe permitir jugar cerca del electrodoméstico, independientemente de que esté en funcionamiento o no.

---

### ATENCIÓN

---

Los objetos de interés para niños no deben almacenarse en un electrodoméstico, en gabinetes sobre un electrodoméstico ni en la placa antisalpicaduras. Si los niños se suben a un electrodoméstico para alcanzar estos objetos, podrían sufrir lesiones graves.

---

### Seguridad en la limpieza

No deje que se acumule grasa en el horno.

### Seguridad en los utensilios de cocina

**AVISO:** No coloque los alimentos directamente en la parte inferior del horno.

Siga las indicaciones del fabricante al utilizar bolsas para cocinar o asar.

No colocar los recipientes para cocinar sobre la puerta del horno abierta.

### Advertencia en virtud de la Proposición 65:

Este producto puede contener un químico que el Estado de California reconoce como potencialmente cancerígeno o causante de daños reproductivos. Por tanto, su producto debe llevar en su embalaje la siguiente etiqueta de conformidad con la legislación de California:

**ADVERTENCIA EN VIRTUD DE LA PROPOSICIÓN 65 DEL  
ESTADO DE CALIFORNIA:**

 **ADVERTENCIA**

Cáncer y daño reproductivo - [www.P65Warnings.ca.gov](http://www.P65Warnings.ca.gov)

---

## Causas para los daños

### AVISOS:

- Accesorios, papel de aluminio, papel de estraza o utensilios de cocina en la parte inferior del interior del horno: no coloque accesorios en la parte inferior del interior del horno. No cubra la parte inferior del interior del horno con ningún tipo de papel o papel de estraza. No coloque utensilios de cocina en la parte inferior del interior del horno cuando se establece una temperatura por encima de 122 °F (50 °C). Esto produce una acumulación de calor. Los tiempos para hornear y asar ya no son correctos y se daña el esmalte.
- Agua en el interior del horno caliente: Nunca vierta agua en el interior del horno caliente. Se produce vapor. Se puede dañar el esmalte debido al cambio de temperatura.
- No deje alimentos húmedos en un horno cerrado por un período prolongado de tiempo. Puede conducir a la corrosión dentro del horno.
- El jugo de frutas puede dejar manchas en el horno. Siempre retire inmediatamente el jugo de frutas y limpie primero con un trapo húmedo y luego con uno seco. Deje enfriar el horno para evitar quemaduras causadas por el vapor de un trapo húmedo.
- Enfriamiento con la puerta del equipo abierto: Solamente deje enfriar la cámara de cocción con la puerta cerrada. Incluso cuando la puerta del equipo está abierta solamente una pequeña rendija, con el tiempo los frentes de los muebles cercanos pueden resultar dañados.
- Sello de la puerta muy sucio: si el sello de la puerta está muy sucio, la puerta ya no se cerrará correctamente durante el funcionamiento del equipo. Los frentes de los muebles cercanos pueden dañarse. Mantenga siempre limpio el sello de la puerta.
- La puerta del equipo como asiento o superficie de almacenamiento: no pararse, sentarse o colgarse en la puerta del equipo. No coloque ningún recipiente o accesorios sobre la puerta.
- Inserción de accesorios: dependiendo del tipo de equipo, los accesorios pueden rayar el panel de la puerta al cerrarla. Siempre deslice completamente los accesorios en el interior del horno.
- No sujete ni transporte el aparato por la manija de la puerta. La manija de la puerta no puede soportar el peso del equipo y podría romperse.

---

## Protección del medio ambiente

Saque el equipo de su empaque y elimine éste de forma ecológica.

### Consejos para ahorrar energía

- Abra lo menos posible la puerta del equipo cuando esté cocinando, horneando o asando.
- Para hornear, utilice moldes oscuros, barnizados en negro, o esmaltados. Éstos absorben el calor especialmente bien.
- Para hornear varios pasteles, lo mejor es hacerlo uno después de otro. El horno está todavía caliente. De esta manera se reduce el tiempo de cocción para el segundo pastel. También puede introducir dos moldes uno al lado del otro.
- En el funcionamiento con aire caliente puede hornear en varios niveles al mismo tiempo.
- En tiempos de cocción largos puede apagar el horno 10 minutos antes del fin del tiempo de cocción, y aprovechar el calor restante para terminar de cocer.

# Su nuevo aparato

Aquí conocerá a su nuevo aparato. Se presenta información sobre el panel de operación, el horno, los tipos de calentamiento y los accesorios.

## Horno



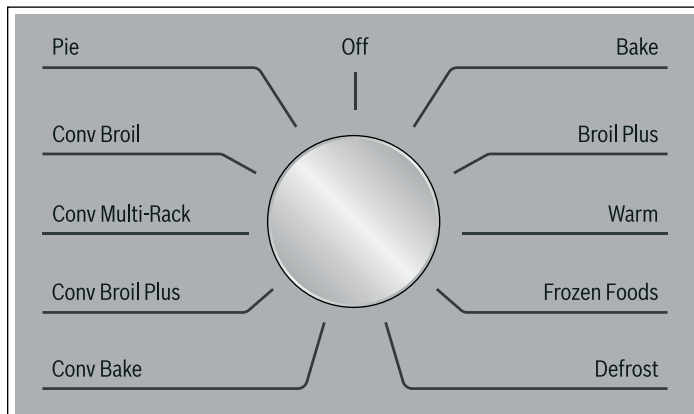
1	Selector de temperatura
2	Luz indicadora de funciones
3	Selector de funciones
4	Pantalla y teclas de funciones

**AVISO:** No coloque los alimentos directamente en la parte inferior del horno.

No obstruya las aberturas de ventilación del horno.

## Selector de funciones

Con el selector de funciones se puede seleccionar el tipo de calentamiento.



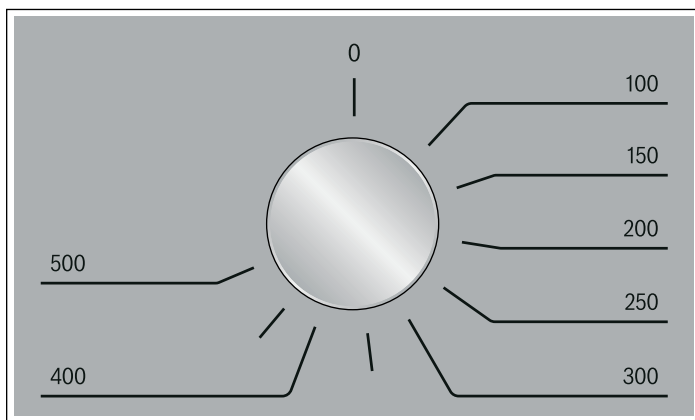
Posición	Aplicación
Off (Apagado)	El horno se apaga.
Bake (Horneado)	Para pasteles, estofados y carne magra de asado. El calor proviene uniformemente de las resistencias inferior y superior.
Broil Plus (Asado Plus)	El calor proviene de la resistencia del grill y proporciona un resultado óptimo en carnes con poco grosor o medianamente gruesas; en combinación con el asador (en caso de estar disponible), los alimentos adquieren un dorado uniforme. Ideal para salchichas, costillas y tocino. Esta función permite asar al grill de forma uniforme grandes cantidades de alimentos, especialmente carne.
Warm (Caliente)	El aire caliente proviene de la resistencia inferior y permite cocinar alimentos que requieren más calor en la parte inferior, sin dorarlos demasiado. Ideal para pasteles, tartas y pizzas.
Frozen Foods (Alimentos ultracongelados)	El uso combinado del ventilador y el asado tradicional permiten cocinar distintos tipos de alimentos a diversos niveles de manera rápida y eficiente. Ideal para grandes cantidades de alimentos que deben cocinarse a fuego lento, apto tanto para alimentos ultracongelados como frescos.
Defrost (Descongelar)	Para descongelar rápidamente con ayuda del ventilador y la resistencia superior que distribuyen el aire a baja temperatura de forma uniforme dentro del horno.
Conv Bake (Horneado combinado)	El funcionamiento del ventilador combinado con el asado tradicional garantiza un asado uniforme, incluso en la preparación de recetas más complejas. Ideal para cualquier tipo de alimento, incluso si se está cocinando simultáneamente a varios niveles.
Conv Broil Plus (Asado Combinado Plus)	El aire producido por el ventilador disminuye la temperatura del calor generado por el grill. Para asar al grill de forma óptima incluso alimentos más gruesos. Ideal para cocinar grandes trozos de carne.

Posición	Aplicación
Conv Multi-Rack (Combinación múltiple)	El funcionamiento combinado del ventilador y la resistencia circular (situada en la placa posterior del horno) permiten cocinar diferentes alimentos a distintos niveles, siempre que estos deban prepararse a la misma temperatura y del mismo modo. La circulación del aire caliente garantiza la distribución inmediata y uniforme del calor. Para cocinar a distintos niveles se recomienda utilizar las alturas 2 y 4.
Conv Broil (Asado Combinado)	Gracias a la acción combinada del ventilador y el calor generado por la resistencia central, esta función es ideal para cocinar de forma rápida y gratinar pequeñas cantidades de alimentos (especialmente carnes), reuniendo los beneficios nutritivos del asado al grill y la cocción uniforme del ventilador.
Pie (Tartas)	La combinación del ventilador a una temperatura baja y un poco de calor generado por la resistencia superior permite cocinar más rápidamente. Ideal para cualquier tipo de alimento, pero especialmente adecuado para tartas y pasteles.

**Nota:** Cuando se selecciona el tipo de calentamiento, se enciende la luz situada en el interior del horno.

## Selector de temperatura

Con el selector de temperatura se ajusta la temperatura del horno.



Posición	Significado
0	Off (Apagado) El horno no calienta.
100-500	Rango de temperatura Temperatura del compartimento de cocción en °F.

La luz indicadora se enciende cuando se calienta el horno. Se apaga en cuanto se alcanza la temperatura establecida.

## Timer (Temporizador)

Con el temporizador se puede controlar el funcionamiento del horno. De esta manera puede programarse, p. ej. a que hora debe conectarse el horno o cuando debe detener el temporizador el proceso de horneado o de cocción. El temporizador puede utilizarse también como reloj avisador.



### Teclas de funciones

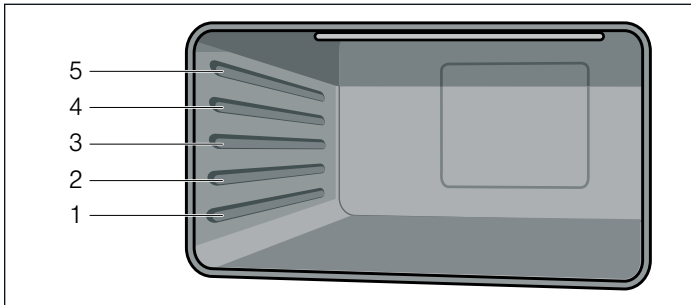
Símbolo	Significado	Aplicación
<b>TIMERS</b>	Funciones del reloj temporizador	Ajustar la duración o el tiempo
<b>-</b>	Menos	Disminuir la duración o el tiempo
<b>+</b>	Más	Aumentar la duración o el tiempo

### Símbolos en la pantalla

Símbolo	Significado
<b>00:00</b>	Hora / Duración del tiempo de funcionamiento / Hora de finalización / Reloj temporizador de cocina
	El horno está listo para funcionar
<b>auto</b>	Se ha programado una Duración del tiempo de funcionamiento / Duración del tiempo de funcionamiento con hora de finalización
	El reloj temporizador de cocina está activado
<b>AM/PM</b>	Indicación de la hora: formato 12h Para conmutar la indicación de la hora al formato 24h, ver el apartado "Ajustar la hora"

## Accesorios

Los accesorios pueden introducirse en el interior del horno a 5 alturas distintas. Introducir los accesorios siempre hasta el tope para que no golpeen en el cristal de la puerta. Asegurarse de introducir los accesorios siempre en la posición correcta en el interior del aparato.

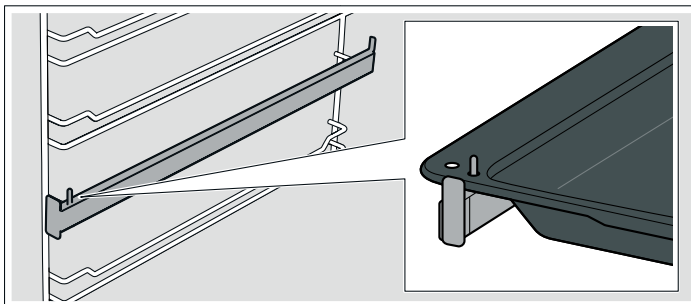


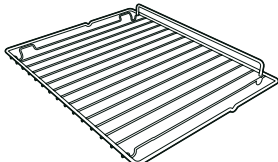
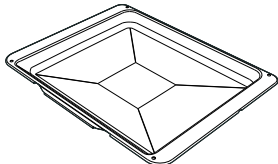
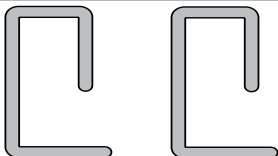
Pueden extraerse dos terceras partes de los accesorios sin que vuelquen. De esta manera, los alimentos pueden retirarse con facilidad.

Si los accesorios se calientan, pueden deformarse. Una vez que se hayan enfriado, desaparece la deformación y no repercute sobre el funcionamiento.

Los accesorios pueden adquirirse en el Servicio de Asistencia Técnica, en comercios especializados o en Internet.

Los rieles de extracción permiten extraer por completo el accesorio.



Accesorios	Descripción
	<b>Parrilla para hornear y asar</b> Para recipientes, moldes para pasteles, asados, parrilladas y platos congelados.
	<b>Charola de horno esmaltada</b> Para pasteles jugosos, pastas, platos congelados y asados grandes. También se puede utilizar como charola para recoger la grasa.
	<b>Varillas de seguridad</b> Para bloquear las bisagras.



---

## Antes del primer uso

A continuación, se indican los pasos que deben seguirse antes de utilizar el aparato por primera vez. Leer antes el capítulo *Consejos y advertencias de seguridad*.

Retirar el embalaje del aparato y desecharlo debidamente.

### Ajuste de la hora

Tras la conexión eléctrica del aparato o tras un corte de la corriente, en la pantalla parpadea **0:00** y **auto**.

1. Mantener pulsada la tecla TIMERS hasta que en la pantalla parpadeen los dos puntos.
2. Ajustar la hora actual con las teclas **+** y **-**. Mantener pulsada la tecla **+** o **-** para modificar rápidamente el valor.

El tiempo programado se aplica transcurridos 5 segundos.

### Ajustar la hora mientras el horno está en funcionamiento

1. Mantener pulsadas las teclas **+** y **-** hasta que en la pantalla parpadeen los dos puntos.
2. Ajustar la hora actual con las teclas **+** y **-**. Mantener pulsada la tecla **+** o **-** para modificar rápidamente el valor.

El tiempo programado se aplica transcurridos 5 segundos.

## Calentamiento del horno

### Limpiar previamente el horno

1. Retirar los accesorios y los enganches del interior del horno.
2. Retirar por completo todos los restos de embalaje del interior del horno, como fragmentos de poliestireno.
3. Algunas partes están cubiertas con una lámina protectora anti-raspones. Retirar la lámina protectora anti-raspones.
4. Limpiar el aparato por fuera con un paño suave y húmedo.
5. Limpiar el interior del horno con agua caliente y jabón.

### Calentar el horno

Para eliminar el olor a nuevo, calentar el horno vacío y cerrado.

1. Situar el selector de funciones en el modo de funcionamiento "Bake".
2. Girar el selector de temperatura hasta el nivel máximo.
3. Transcurridos 40 minutos, apagar el horno.

### Limpieza posterior del horno

1. Limpiar el interior del horno con agua caliente y jabón.
2. Montar las guías laterales.

## Limpieza de los accesorios

Antes de utilizar los accesorios, limpiarlos a fondo con agua caliente con un poco de jabón y un trapo.

---

## Operación

### Conexión del horno

1. Ajustar el tipo de calentamiento con el selector de funciones.
2. Ajustar la temperatura con el selector de temperatura.

El horno empieza a calentarse.

### Desconectar el horno

Situar el selector de funciones y el selector de temperatura en la posición cero.

### Modificar los ajustes

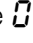
El tipo de calentamiento y la temperatura o el nivel de grill pueden modificarse en cualquier momento con el correspondiente selector.


### Calentamiento


Para calentar el horno lo más rápido posible, cambiar el tipo de calentamiento a "Conv Bake". Si se alcanza la temperatura programada (la lámpara indicadora se mantiene encendida y suena una señal), ajustar el tipo de calentamiento deseado.

### Temporizador de cocina


El reloj avisador no afecta a las funciones del horno. La duración del reloj avisador se puede ajustar desde 1 minuto hasta 23 horas y 59 minutos.

1. Mantener pulsada la tecla TIMERS hasta que en la pantalla parpadee el símbolo  y se visualice **0:00**.
2. Ajustar la duración deseada con las teclas **+** y **-**. El tiempo programado se aplica transcurridos 5 segundos.


Una vez transcurrido el tiempo suena una señal acústica y en la pantalla parpadea el símbolo .

**Nota:** Mientras el tiempo del reloj avisador transcurre, en la pantalla se visualiza la hora y se mantiene encendido el símbolo .

### Modificar el tiempo programado:

Para cambiar el tiempo restante, mantener pulsada la tecla TIMERS hasta que en la pantalla parpadee el símbolo . A continuación, cambiar el tiempo restante con las teclas **+** y **-**.

## Detener el reloj avisador

Para cancelar el ajuste, mantener pulsada la tecla TIMERS hasta que en la pantalla parpadee el símbolo . A continuación, pulsar simultáneamente las teclas + y -.



## Desactivar el tono de aviso

Mantener pulsada la tecla TIMERS hasta que el indicador de la hora se apague. Tras siete minutos, la señal se apaga automáticamente.

## Ajuste del temporizador


Con la función del reloj temporizador (TIMER) se puede ajustar la duración del tiempo de funcionamiento o programar una hora de inicio y finalización.

### Desconexión automática


1. Mantener pulsada la tecla TIMERS hasta que parpadee el símbolo .
2. Pulsar nuevamente la tecla TIMERS. En la pantalla parpadea **auto** y *dur*.
3. Ajustar la duración del tiempo de funcionamiento con las teclas + y -.  
La duración del tiempo de funcionamiento se puede ajustar desde 1 minuto hasta 10 horas.
4. Ajustar el tipo de calentamiento y temperatura deseados.  
El horno se enciende. En la pantalla se iluminan el símbolo  y **auto**, y se visualiza la hora actual.

### Ha concluido la duración del tiempo de funcionamiento

Suena una señal y en la pantalla parpadea **auto**.

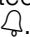

1. Desconectar el selector de temperatura y el selector de funciones.
2. Mantener pulsada la tecla TIMERS hasta que aparezca el símbolo .  
El horno cambia de nuevo al modo manual.

### Cancelar la duración del tiempo de funcionamiento

Para cancelar el ajuste, mantener pulsada la tecla TIMERS hasta que en la pantalla parpadee el símbolo . A continuación, pulsar simultáneamente las teclas + y -.

### Conexión y desconexión automática


El horneado o el asado empieza a la hora seleccionada por el usuario según la duración programada.

1. Mantener pulsada la tecla TIMERS hasta que parpadee el símbolo .
2. Pulsar nuevamente la tecla TIMERS. En la pantalla parpadea **auto** y *dur*.
3. Ajustar la duración del tiempo de funcionamiento con las teclas + y -.  
La duración del tiempo de funcionamiento se puede ajustar desde 1 minuto hasta 10 horas.
4. Pulsar de nuevo la tecla TIMERS. En la pantalla parpadean **auto** y el símbolo .  
Se visualiza la hora de finalización para la duración del tiempo de funcionamiento programado.


5. Ajustar la hora de finalización con las teclas + y -.

La hora de finalización se puede ajustar hasta 23 horas y 59 minutos.

El horno calcula la hora de inicio. El tiempo programado se aplica transcurridos 5 segundos.


En la pantalla desaparecen el símbolo  y **auto**, y se visualiza la hora actual.

6. Ajustar el tipo de calentamiento y temperatura deseados.


Cuando se alcanza la hora de inicio, el horno empieza a calentarse. En la pantalla se iluminan el símbolo  y **auto**.

### Ha concluido la duración del tiempo de funcionamiento

Suena una señal y en la pantalla parpadea **auto**.

1. Desconectar el selector de temperatura y el selector de funciones.
2. Mantener pulsada la tecla TIMERS hasta que aparezca el símbolo .  
El horno cambia de nuevo al modo manual.

### Cancelar la duración del tiempo de funcionamiento

Para cancelar el ajuste, mantener pulsada la tecla TIMERS hasta que en la pantalla parpadee el símbolo . A continuación, pulsar simultáneamente las teclas + y -.

## Ajustes básicos

Los siguientes ajustes básicos pueden ajustarse permanentemente:

Ajustes básicos	Opciones
Tono de aviso	<ul style="list-style-type: none"><li>• bajo</li><li>• medio</li><li>• alto*</li></ul>
Formato de tiempo	<ul style="list-style-type: none"><li>• 24 h*</li><li>• 12 h am/pm</li></ul>

\* Ajuste de fábrica

### Ajustar el volumen de la señal

El horno debe estar apagado.

1. Mantener pulsadas las teclas + y - hasta que en la pantalla parpadeen los dos puntos.
2. Pulsar una vez la tecla TIMERS. En la pantalla se muestra **ton**.
3. Pulsar de nuevo la tecla - hasta lograr el volumen deseado.

### Modificar el formato de tiempo

El horno debe estar apagado.

Mantener pulsada la tecla + durante 3 segundos. **AM/PM** se muestra en la pantalla. Para volver a cambiar al formato de tiempo de 24h, mantener pulsada de nuevo la tecla + durante 3 segundos.

# Cuidados y limpieza

El horno mantendrá durante mucho tiempo su aspecto reluciente y su capacidad funcional siempre y cuando se lleven a cabo la limpieza y los cuidados pertinentes. A continuación se describe cómo efectuar el cuidado y la limpieza óptimos del horno.

## Notas

- Es posible que aparezcan diferentes tonalidades en la parte frontal del horno debido a los diferentes materiales como vidrio, plástico o metal.
- Las sombras apreciables en el cristal de la puerta, que parecen suciedad, son reflejos de luz del foco del horno.
- El esmalte se quema cuando se alcanza una temperatura muy elevada. Esto puede dar lugar a la aparición de pequeñas diferencias de color. Se trata de un fenómeno normal que no afecta al funcionamiento del horno. Los bordes de las charolas finas no pueden esmaltarse por completo. Por esta razón pueden resultar ásperos al tacto. Esto no afecta a la protección anticorrosiva.

## ▲ ADVERTENCIA

### PELIGRO DE DESCARGA ELÉCTRICA

La humedad penetrante puede causar una descarga eléctrica. No use una hidrolavadora ni un limpiador por vapor.

## ▲ ADVERTENCIA

### PELIGRO DE QUEMADURAS

El equipo se calienta mucho. Nunca toque las superficies interiores de la cámara de cocción o los elementos de calentamiento. Siempre deje enfriar el equipo primero. Mantenga alejados a los niños.

## Productos de limpieza

Observar las siguientes indicaciones con el fin de no dañar las distintas superficies del horno por emplear un producto de limpieza inadecuado.

No usar en ningún caso:

- productos de limpieza abrasivos o corrosivos
- productos con un alto contenido de alcohol
- estropajos o esponjas duras
- limpiadores de alta presión o por chorro de vapor.

Lavar a fondo los paños de cocina nuevos antes de usarlos.

Zona	Productos de limpieza
Parte exterior del aparato	Agua caliente con jabón: Limpiar con un trapo y secar con un paño suave. No utilizar limpiacristales ni rascadores para cristal.
Acero inoxidable	Agua caliente con jabón: Limpiar con un trapo y secar con un paño suave. Limpiar inmediatamente las manchas de cal, grasa, maicena y clara de huevo. Debajo de estas manchas puede formarse corrosión.  En el Servicio de Asistencia Técnica o en comercios especializados pueden adquirirse los productos de limpieza especiales para el acero inoxidable, apropiados para superficies calientes. Aplicar una capa muy fina del producto de limpieza con un paño suave.
Aluminio y plástico	Limpiacristales: Limpiar con un paño suave.
Superficies esmaltadas (superficie lisa)	Para que la limpieza resulte más fácil, se puede encender la iluminación interior e incluso desenganchar la puerta del aparato. Limpiar con un detergente convencional o con agua con vinagre usando un trapo suave y humedecido o una gamuza y secar con un paño suave. Limpiar los residuos de comida quemados con un paño húmedo y un producto de limpieza. Al finalizar la limpieza, dejar el horno abierto para que se seque.
Superficies auto-limpiables (superficie rugosa)	Tener en cuenta las advertencias que aparecen en el capítulo: Superficies autolimpiables
Cristales de la puerta	Limpiacristales: Limpiar con un paño suave. No utilizar rascadores para cristal.
Cristal protector del foco del horno	Agua caliente con jabón: Limpiar con un trapo.
Junta No retirar.	Agua caliente con jabón: Limpiar con un trapo. No frotar.
Rejillas	Agua caliente con jabón: Poner en remojo y limpiar con un trapo o un cepillo.
Accesorios	Agua caliente con jabón: Poner en remojo y limpiar con un trapo o un cepillo.

## Revestimiento catalítico del interior del horno

Los revestimientos catalíticos del interior del horno están recubiertos con esmalte autolimpiable.

Las superficies se limpian por sí solas mientras el horno está en funcionamiento. Las salpicaduras grandes no desaparecen hasta que el horno ha funcionado repetidas veces.

### Superficies autolimpiables

Las paredes laterales y posterior tienen un revestimiento catalítico. No limpiar estas superficies con limpiadores para hornos. Una decoloración ligera de los esmaltes no influye en la autolimpieza.

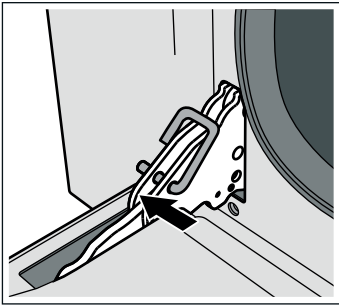
## Montaje y desmontaje de los cristales de la puerta

Los cristales de la puerta del horno pueden desmontarse para facilitar su limpieza.

### Desmontaje de los cristales de las puertas

1. Abrir por completo la puerta del horno.
2. Bloquear las bisagras a izquierda y derecha con la varilla de seguridad.

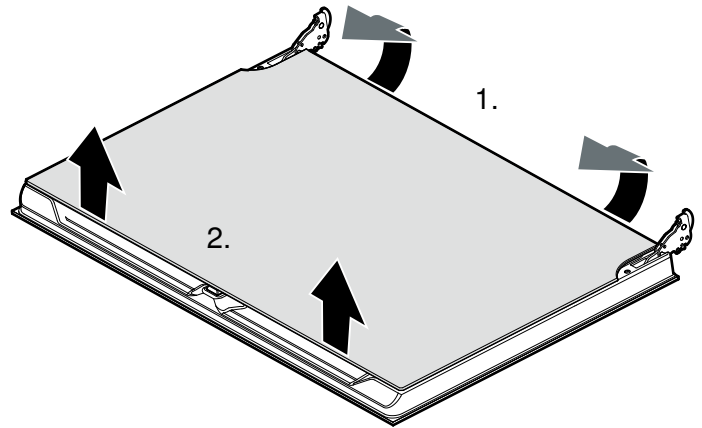
**Nota:** Las varillas de seguridad deben estar completamente insertadas en los orificios de las bisagras.



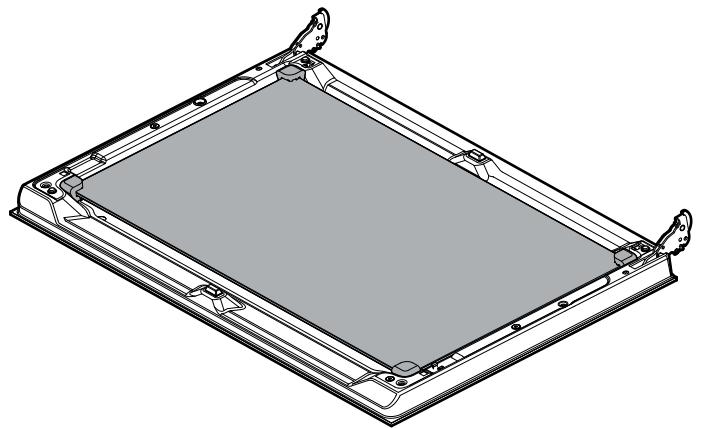
3. Levantar suavemente la parte inferior del cristal interior hasta que se suelten del soporte los pasadores de sujeción (1).
4. Levantar con cuidado la parte superior del cristal interior hasta que se suelten del soporte los pasadores de sujeción (2).

### ⚠ ATENCION

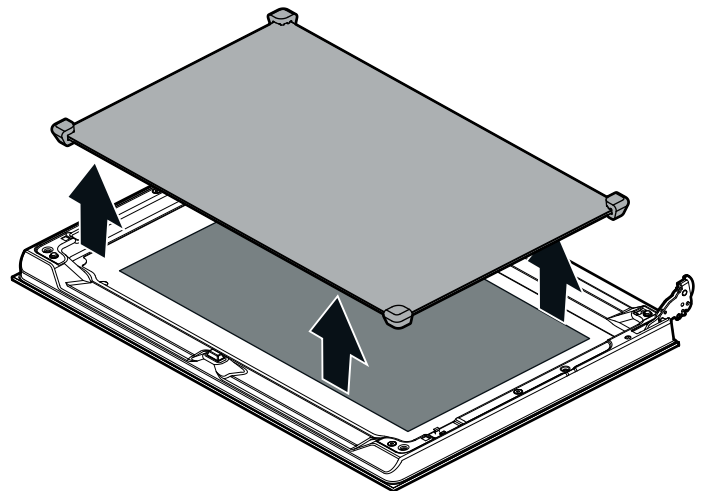
El cristal intermedio puede quedarse unido al cristal interior al levantar este último. Asegurarse de que el cristal intermedio no se cae.



5. Extraer el cristal interior.
6. Extraer el cristal intermedio.



**Nota:** El cristal intermedio no está sujeto con pasadores de sujeción, sino que se mantiene en su posición mediante soportes de goma.



Limpiar los cristales con limpiacristales y un paño suave.

### ▲ ADVERTENCIA

#### PELIGRO DE LESIONES

El cristal de la puerta del equipo puede romperse si se rasca. No use rascadores para cristal, ni productos de limpieza agresivos o por frotamiento.

### Montaje de los cristales de la puerta

1. Colocar de nuevo el cristal intermedio.

**Nota:** Asegúrese de que el cristal esté colocado en la posición correcta. Todos los soportes de goma deben colocarse planos sobre el cristal exterior.

2. Colocar de nuevo el cristal interior.

**Nota:** Los cuatro pasadores de sujeción deben encajar en los soportes correspondientes.

3. Retirar las varillas de seguridad y cerrar la puerta del horno.

### Montaje y desmontaje de la puerta del aparato

En caso de una suciedad especialmente resistente, la puerta del horno se puede desmontar para una mejor limpieza. Sin embargo, habitualmente esto no es necesario.

### ▲ ATENCION

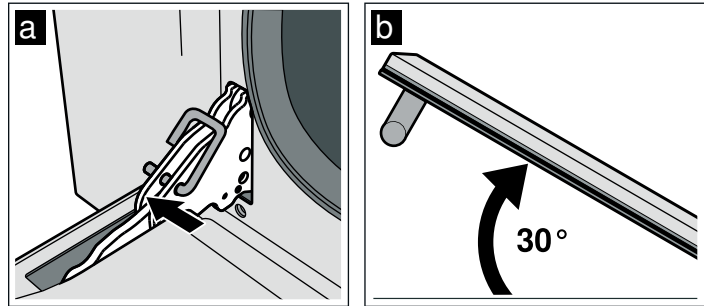
- Asegúrese de que el horno esté frío y de que la alimentación eléctrica esté desactivada antes de retirar la puerta. No hacerlo puede ocasionar una descarga eléctrica o quemaduras.
- La puerta del horno es pesada y sus piezas son frágiles. Use las dos manos para retirar la puerta del horno. El frente de la puerta incluye componentes de vidrio. Manipúlela con cuidado para evitar que se rompan.
- Tome la puerta del horno solamente por los costados. No la tome de la manija, porque puede deslizarse de la mano y causar daños o lesiones.
- No tomar la puerta del horno con firmeza y correctamente podría ocasionar lesiones personales o daños al producto.
- Para evitar lesiones cuando se cierra la bisagra, asegúrese de que ambas palancas de bloqueo estén firmemente en su lugar antes de retirar la puerta. Tampoco abra ni cierre la puerta del horno forzándola: la bisagra puede dañarse y ocasionar lesiones.
- No apoye la puerta que retiró sobre objetos filosos o puntiagudos, dado que el vidrio podría romperse. Apoye la puerta sobre una superficie plana y lisa, de manera que la puerta no pueda caerse.

### Desmontaje de la puerta del aparato

1. Abrir por completo la puerta del horno.
2. Bloquear las bisagras a izquierda y derecha con la varilla de seguridad (a).

**Nota:** Las varillas de seguridad deben estar completamente insertadas en los orificios de las bisagras.

3. Sujetar la puerta del horno por los laterales con las dos manos y cerrarla unos 30° (b).



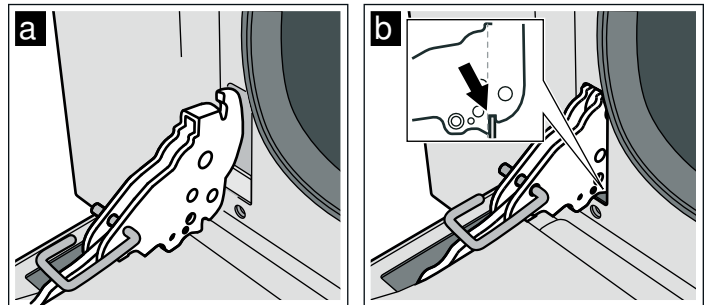
4. Levantar ligeramente la puerta y extraerla.

**Nota:** No cerrar la puerta del horno por completo. Las bisagras podrían doblarse y producir daños en el esmalte.

### Montaje de la puerta del aparato

1. Sujetar la puerta del horno por los laterales con las dos manos.
2. Insertar las bisagras en las escotaduras del horno (a).

**Nota:** La muesca en la parte inferior de las bisagras debe encajar en el marco del horno (b).



3. Empujar la puerta hacia abajo.
4. Retirar las varillas de seguridad.

### ▲ ADVERTENCIA

#### RIESGO DE LESIONES

No tocar la bisagra en caso de que la puerta caiga involuntariamente o de que una bisagra se cierre de golpe. Llamar al Servicio de Atención al Cliente.

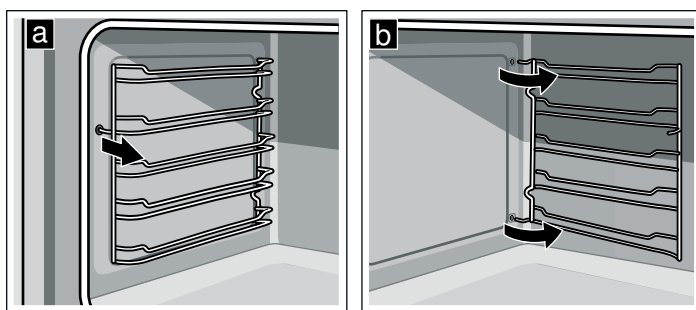
## Montaje y desmontaje de las guías laterales

Las guías laterales pueden desmontarse para facilitar su limpieza.

### Desmontaje de las guías laterales

Las guías laterales están fijadas en tres puntos a las paredes laterales del interior del horno.

1. Sujetar la guía lateral por la parte delantera y tirar de ella hacia el centro.  
El gancho delantero de la guía lateral se desprende del orificio.
2. Seguir abriendo la guía lateral y extraerla de los orificios traseros de la pared lateral.
3. Retener el revestimiento catalítico del interior del horno.
4. Extraer las guías laterales del interior del horno.



### Montaje de las guías laterales

1. Retener el revestimiento catalítico del interior del horno.
2. Insertar los ganchos de la guía lateral en los orificios traseros de la pared lateral.
3. Introducir el gancho delantero de la guía lateral en el orificio.



# Resolución de problemas

Antes de llamar al Servicio a Clientes, tenga en cuenta las sugerencias y las instrucciones que aparecen a continuación:

## ⚠ ADVERTENCIA

¡RIESGO DE DESCARGA ELÉCTRICA!

Las reparaciones inadecuadas son peligrosas. Las reparaciones solo pueden ser efectuadas por personal del Servicio de Asistencia Técnica debidamente instruido.

Las reparaciones efectuadas en el aparato de modo incorrecto pueden implicar serios peligros para el usuario.

Avería	Posible causa	Consejos/solución
El aparato no funciona.	El fusible está defectuoso	Comprobar en la caja de fusibles si el interruptor de desconexión funciona correctamente.
	Corte en el suministro eléctrico	Comprobar si funciona la lámpara de cocina.
No es posible desconectar el horno.	El sistema electrónico está defectuoso	Apagar el interruptor de desconexión. Llamar a Servicio de Asistencia Técnica.
La pantalla del reloj parpadea.	Corte en el suministro eléctrico	Volver a programar el reloj.
El horno no calienta.	El fusible está defectuoso	Comprobar el fusible y sustituirlo si fuera necesario.
	No se ha ajustado el selector de funciones	Ajustar el selector de funciones.
El cristal de la puerta está roto.		Desconectar el aparato. Llamar a Servicio de Asistencia Técnica.
Zumo de frutas o manchas de clara de huevo en las superficies esmaltadas.	Jugo de pasteles o carne	Cambio inofensivo del esmalte que no se puede eliminar.
El horno se detiene e interrumpe el programa, pero el ventilador sigue funcionando a gran velocidad, aunque se sitúe el selector de funciones en la posición <b>Off</b> .	El termostato está defectuoso	<ol style="list-style-type: none"><li>1. Ajustar el selector de funciones en la posición <b>Off</b>. El ventilador sigue funcionando a gran velocidad.</li><li>2. Esperar 10 segundos.</li><li>3. Ajustar el selector de funciones en una nueva posición.</li></ol> <p><b>Si el error se repite cuando se ajusta una nueva función:</b> Desconectar el horno de la corriente y volverlo a conectar.</p> <p><b>Si el error se repite al volver a conectar el horno a la corriente:</b> Llamar al Servicio de Asistencia Técnica.</p>



## Sustitución del foco del horno

Si el foco del horno está quemado, hay que sustituirlo. Los focos de refacción resistentes a la temperatura pueden adquirirse a través del Servicio de Asistencia Técnica o en comercios especializados. Indicar el número de producto (E) y el número de fabricación (FD) del aparato. No utilizar ningún otro foco.

### ⚠ ATENCION

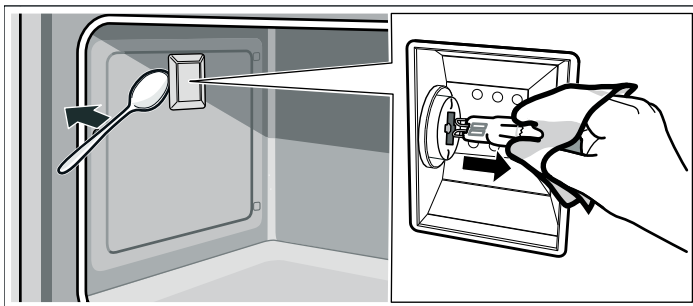
AL REEMPLAZAR LA LUZ DEL HORNO:

- Asegúrese de que el electrodoméstico y las luces se hayan enfriado y de que la alimentación eléctrica al electrodoméstico esté apagada antes de cambiar el (los) foco(s). No hacerlo puede ocasionar una descarga eléctrica o quemaduras.
- Las lentes deben estar en su lugar al usar el electrodoméstico.
- Las lentes sirven para proteger el foco contra roturas.
- Las lentes son de vidrio. Manipúlela con cuidado para que no se rompa. El vidrio roto puede causar una lesión.
- El portalámparas tiene corriente cuando la puerta está abierta.

### ⚠ ADVERTENCIA

El portalámparas tiene corriente cuando la puerta está abierta si la fuente de alimentación eléctrica principal no está apagada.

1. Desenchufar el aparato de la red o desconectar el fusible en la caja de fusibles
2. Dejar enfriar el interior del horno.
3. Abrir la puerta del aparato.
4. Poner un paño de cocina en el interior del horno para evitar daños.
5. Extraer las guías laterales.
6. Retirar el cristal protector. Para ello, abrir el cristal protector con la mano desde adelante. En caso de que resultase difícil retirar el cristal protector, utilizar una cuchara como ayuda.
7. Extraer el foco del horno.



8. Sustituir el foco del horno por otro del mismo tipo:  
**Tensión:** 120 V;  
**Potencia:** 40 W;  
**Portalámparas:** G9  
**Resistencia de temperatura:** 570° F (300°C)
9. Volver a colocar el cristal protector del foco del horno.
10. Montar las guías laterales.
11. Retirar de nuevo el paño de cocina.
12. Volver a conectar el fusible.
13. Comprobar que la iluminación del horno funciona correctamente.

# Soporte de Bosch®

## Antes de llamar al servicio técnico

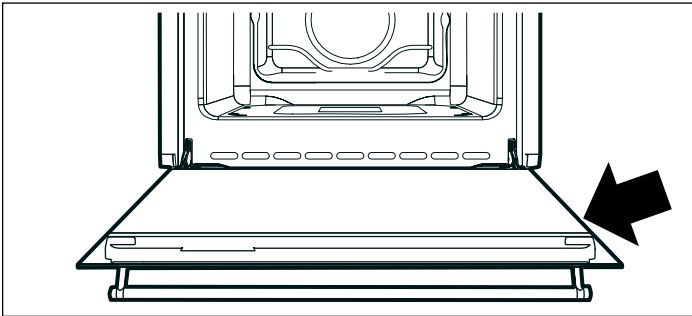
Para obtener información sobre solución de problemas, ver el Manual de uso y cuidado. Ver la «Declaración de garantía limitada del producto» en el Manual de uso y cuidado.

Para ponerse en contacto con un representante del servicio técnico, ver la información de contacto en la portada del manual o en la siguiente sección. Antes de llamar, tener preparada la información que aparece en la placa de características del producto.

## Placa de características

La placa de característica incluye información sobre el modelo y el número de serie del aparato. Si se solicita información al Servicio de Asistencia Técnica, deberá facilitarse la información indicada en la placa.

La placa de características se encuentra en el lateral derecho de la puerta aparato.



Para no perder tiempo buscando los distintos datos solicitados durante la llamada, estos pueden introducirse previamente en los espacios libres abajo.

---

**N.º de producto**

---

**N.º de fabricación**

---

**Fecha de compra**

---

**Servicio de  
Asistencia  
Técnica** ☎

---

Conservar la factura o los documentos de compra que confirmen la validación de la garantía, en caso de que el aparato necesite ser reparado.

## Servicio técnico

Sabemos que usted ha realizado una inversión considerable en su cocina. Nos dedicamos a brindar asistencia a usted y a su aparato de manera que tenga muchos años de cocina creativa.

No dude en comunicarse con nuestro Departamento de Atención al Cliente si tiene alguna pregunta o en el caso poco probable de que su aparato Bosch® necesite servicio técnico. Nuestro equipo de servicio técnico está listo para asistirlo.

### EUA

800-944-2904

[www.bosch-home.com/us/support](http://www.bosch-home.com/us/support)

### Canadá

800-944-2904

[www.bosch-home.ca/en/support](http://www.bosch-home.ca/en/support)

## Piezas y accesorios

Puede comprar piezas, filtros, productos para eliminar el sarro, limpiadores para acero inoxidable y más artículos en la tienda electrónica de Bosch® o por teléfono.

### EUA

[www.bosch-home.com/us/store](http://www.bosch-home.com/us/store)

### Canadá

Marcone 800-482-6022

o

Reliable Parts 800-941-9217

# Consejos de aplicación

Aquí se pueden encontrar consejos acerca de los recipientes y de la preparación de platos.

## Notas

- Utilizar los accesorios suministrados. Los accesorios adicionales están disponibles como accesorios especiales en los comercios especializados o en el Servicio de Asistencia Técnica.  
Antes de su utilización, retirar del interior del horno los accesorios y recipientes que no sean necesarios.

- Utilizar siempre un agarrador para retirar los accesorios o los recipientes calientes del interior del horno.

## Horneado

### Moldes para hornear

- Utilizar especialmente moldes y charolas de horno de color claro.
- Colocar siempre los moldes en el centro de la parrilla para hornear y asar.

## Sugerencias para el horneado

De este modo se comprueba si el pastel de masa de bizcocho ya está en su punto.	Unos 10 minutos antes de finalizar el tiempo de horneado indicado en la receta, picar la parte superior del pastel con un palillo. El pastel estará en su punto cuando la masa no se adhiera al palillo.
El pastel se desmorona.	La próxima vez, utilizar menos líquido o reducir 10 grados la temperatura del horno. Tener en cuenta los tiempos de mezclado que se indican en la receta.
El pastel se ha levantado bien en el centro, pero hacia los bordes tiene menos altura.	No engrasar las paredes del molde desarmable. Después del horneado, desprender el pastel con cuidado con la ayuda de un cuchillo.
El pastel está quedando demasiado oscuro.	Colocar el pastel a una altura inferior, seleccionar una temperatura más baja y dejar que se hornee durante más tiempo.
El pastel está demasiado seco.	Picar con un palillo pequeños agujeros en el pastel una vez esté listo. A continuación, verter en los agujeros unas gotas de zumo de fruta o de alguna bebida alcohólica. La próxima vez, aumentar 10 grados la temperatura del horno y reducir el tiempo de horneado.
El pan o el pastel (p. ej., pastel de queso) tiene buen aspecto, pero por dentro es inconsistente (líquido, con tiras de agua)	La próxima vez, emplear menos líquido y hornear el producto a una temperatura más baja y durante más tiempo. Para pasteles con una capa jugosa, hornear primero la base. Cubrir la base con almendras o pan rallado y añadir la cobertura. Tener en cuenta las recetas y los tiempos de cocción.
Las pastas se han dorado de forma irregular.	Reducir un poco la temperatura para que las pastas se doren de forma homogénea. Si el papel de hornear sobresale, la circulación del aire puede verse afectada. Recortar siempre el papel de hornear de forma que coincida con los bordes de la charola.
El pastel de frutas está demasiado claro por la parte de abajo.	La próxima vez, colocar el pastel una altura más abajo.
El jugo de fruta se sale.	La próxima vez, utilizar la charola universal más profunda, si está disponible.
Las pastas pequeñas hechas con levadura se pegan unas a otras durante el horneado.	Procurar dejar un espacio de unos 2 cm entre unas y otras. Así tendrán espacio suficiente para crecer y dorarse por todos los lados.
Al hornear pasteles jugosos se forma agua condensada.	Al hornear puede originarse vapor de agua que se escapa por encima de la puerta. El vapor de agua puede condensarse en el panel de control o en las partes frontales de los muebles contiguos y escurrirse en forma de agua condensada. Esto se debe simplemente a las leyes de la física.

## Asado y asado al grill

### Recipiente

Se puede utilizar cualquier recipiente resistente al calor. Colocar el recipiente siempre en el centro de la parrilla. La charola de horno esmaltada también se puede usar para asados grandes.

### Consejos para el horneado

- Con una temperatura más baja se consigue un dorado más uniforme.
- Añadir de 2 a 3 cucharadas soperas de líquido en la carne magra, y de 8 a 10 cucharadas en el estofado, en función del tamaño de las piezas.
- Al asar pato o ganso, picar la piel por debajo de las alas para que se desprenda la grasa.
- Las aves quedan muy doradas y crujientes si, más o menos al final del tiempo de cocción, se untan con mantequilla, agua con sal o jugo de naranja.
- Dar la vuelta a la carne cuando haya transcurrido la mitad del tiempo.
- Cuando el asado esté listo, deberá reposar unos 10 minutos en el horno cerrado y desconectado. De esta manera, el jugo del asado se distribuye mejor.
- Al asar grandes piezas de carne puede generarse mucho vapor y causar condensación en la puerta del horno. Se trata de un fenómeno normal que no afecta el funcionamiento del aparato. Una vez finalizado el

proceso de asado, secar la puerta del horno y el cristal de la puerta con un paño.

- Para asar en la parrilla, colocar además la charola de horno esmaltada en la altura de inserción 1 para recoger la grasa.

### Consejos para asar al grill

- En la medida de lo posible, tomar piezas del mismo grosor. Estas deberán tener un grosor mínimo de 1 pulgada. Así se doran de forma homogénea y se conservan jugosas.
- Colocar los alimentos en el centro de la parrilla. Añadir un poco de agua en la charola de horno esmaltada y colocarla en la altura de inserción inferior para que pueda recoger la grasa. No colocarla nunca sobre la base del horno.
- Humedecer el alimento con aceite antes de colocarlo sobre la parrilla debajo del grill.
- Dar la vuelta a los alimentos más delgados cuando haya transcurrido la mitad del tiempo, y a los alimentos más gruesos varias veces mientras dure el asado al grill. Para ello, utilizar unas pinzas para grill, de manera que los alimentos no se perforen y el jugo de la carne permanezca, p. ej. en el asado.
- La carne oscura, como la carne de cordero o de res, se dora más rápido y mejor que la carne de cerdo o ternera.

### Consejos para el horneado

¿De qué manera se puede comprobar si el asado está en su punto?	Utilizar un termómetro para carnes (disponible en comercios especializados) o hacer la "prueba de la cuchara". Presionar el asado con la cuchara. Si está firme, significa que está listo. Si la carne cede, todavía le falta un poco de tiempo.
El asado está demasiado oscuro y la corteza quemada por algunas partes.	Comprobar la altura de inserción y la temperatura.
El asado tiene buen aspecto, pero la salsa se ha quemado.	La próxima vez, utilizar una cacerola más pequeña y añadir más líquido.
El asado tiene buen aspecto, pero la salsa es demasiado clara y líquida.	La próxima vez, utilizar una cacerola más grande y añadir menos líquido.

## Platos probados en nuestro estudio de cocina

Aquí figuran una selección de platos y sus ajustes óptimos correspondientes. Se detalla el tipo de calentamiento, la temperatura y la altura de inserción más apropiados para cada plato.

### Notas

- Las indicaciones de tiempo que figuran en las tablas son valores orientativos. Vienen determinadas por la calidad y la composición de los alimentos.
- Utilizar los accesorios suministrados. Los accesorios adicionales están disponibles como accesorios especiales en los comercios especializados o en el Servicio de Asistencia Técnica.  
Antes de su utilización, retirar del interior del horno los accesorios y recipientes que no sean necesarios.

- Utilizar siempre un agarrador para retirar los accesorios o los recipientes calientes del interior del horno.

<b>Alimento</b>	<b>Peso lb (kg)</b>	<b>Función</b>	<b>Posiciones respecto a la posición cero (Off)</b>	<b>Temperatura en °F (°C)</b>	<b>Tiempo (minutos)</b>	
Lasaña	6 ¾ - 8 (3 - 4)	Horneado	1	400 - 450 (205 - 230)	45 - 50	
Gratinado pasta	6 ¾ - 8 (3 - 4)	Horneado	1	400 - 450 (205 - 230)	45 - 50	
Cerdo	4 ½ (2)	Horneado combinado	2	350 (175)	70 - 80	
Salchichas	3 ⅓ (1,5)	Asado Combinado Plus	4	500 (260)	15	
Rosbif	2 ¼ (1)	Horneado combinado	2	500 (260)	40 - 45	
Pechuga de pavo	6 ¾ (3)	Horneado combinado	2	350 (175)	110 - 120	
Pollo asado	2 ⅔ (1,2)	Horneado combinado	2	350 (175)	65 - 70	
Chuletas de cerdo	3 ⅓ (1,5)	Asado Combinado Plus	4	500 (260)	1er lado	2º lado
Costillas	3 ⅓ (1,5)	Asado Combinado Plus	4	500 (260)	10	10
Tocino	1 ¾ (0,7)	Asado Plus	5	500 (260)	7	8
Filete de cerdo	3 ⅓ (1,5)	Asado Combinado Plus	4	500 (260)	10	5
Filete de res	2 ¼ (1)	Asado Plus	5	500 (260)	10	7
Salmón	1 ⅓ (0,6)	Horneado combinado	2	300 (150)	25 - 30	
Pizza	2 ¼ (1)	Alimentos ultracongelados	2	500 (260)	8 - 9	
Pan	2 ¼ (1)	Alimentos ultracongelados	2	350 - 400 (175 - 205)	25 - 30	
Focaccia	2 ¼ (1)	Alimentos ultracongelados	2	350 (175)	20 - 25	
Pastel esponjoso	2 ¼ (1)	Tartas	2	300 (150)	55 - 60	
Tarta rellena de mermelada	2 ¼ (1)	Tartas	2	300 (150)	35 - 40	
Pastel de queso	2 ¼ (1)	Tartas	2	300 - 350	55 - 60	
Profiteroles	2 ⅔ (1,2)	Tartas	2	350 (175)	80 - 90	
Pastel esponjoso ligero	2 ¼ (1)	Tartas	2	300 - 350 (150 - 175)	55 - 60	
Galletas	2 ¼ (1)	Combinación múltiple	2 - 4	300 (150)	20 - 25	

Los valores relativos al tiempo que figuran en la tabla no incluyen los datos sobre el tiempo de precalentamiento y son solo orientativos.

# DECLARACIÓN DE GARANTÍA LIMITADA DEL PRODUCTO

## Qué cubre esta garantía y a quiénes se aplica

La garantía limitada otorgada por BSH Home Appliances («BSH») en esta declaración de garantía limitada del producto se aplica únicamente al aparato Bosch («producto») vendido, al primer comprador usuario, condicionada estrictamente a que el producto haya sido comprado:

- Para uso doméstico (no comercial) normal y haya sido utilizado en todo momento únicamente para fines domésticos normales.
- Nuevo en una tienda minorista (que no sea un producto de exhibición, ni un producto vendido «en las condiciones en que se encuentra» ni un modelo devuelto anteriormente) y no esté destinado para reventa ni uso comercial.
- Dentro de los Estados Unidos o Canadá y permanezca en todo momento dentro del país de compra original.

La garantía descrita aquí es válida para el comprador original del producto cubierto por esta garantía y para todo usuario posterior del producto, adquirido para un uso doméstico, durante el término de la garantía.

Asegúrese de devolver la tarjeta de registro; si bien no es necesario para hacer efectiva la cobertura de la garantía, es la mejor manera de que BSH pueda hacer notificaciones en el caso poco probable de que se emita un aviso de seguridad o se retire del mercado un producto.

## Duración de la garantía

BSH garantiza que el Producto estará libre de defectos en los materiales y en la mano de obra por un período de trescientos sesenta y cinco (365) días a partir de la fecha de compra. El período precedente comienza a regir a partir de la fecha de compra y no se interrumpirá, dejará sin efecto, extenderá ni suspenderá por ningún motivo.

También se garantiza que este Producto no presenta defectos *estéticos* en el material ni en la mano de obra (como rayas en el acero inoxidable, imperfecciones en la pintura/porcelana, astillas, abolladuras ni ningún otro daño en el acabado del Producto) durante un período de treinta (30) días desde la fecha de compra o fecha de cierre para una nueva construcción. Se excluyen de esta garantía por defectos *estéticos* las variaciones leves de color que se deban a diferencias inherentes a las piezas pintadas y de porcelana, así como diferencias provocadas por la iluminación de la cocina, la ubicación del producto u otros factores similares. Se excluye específicamente de esta garantía por defectos *estéticos* cualquier electrodoméstico en exposición, de piso, vendido “en el estado en que se encuentra” o de segunda selección.

## Reparación/reemplazo como único recurso

Durante el período de esta garantía, BSH o uno de sus proveedores de servicio técnico autorizados reparará su Producto sin cargo para usted (con sujeción a determinadas limitaciones especificadas en el presente) si se prueba que su Producto ha sido fabricado con un defecto en los materiales o en la mano de obra. Si se ha intentado de manera razonable reparar el Producto sin éxito, BSH reemplazará su Producto (es posible que usted tenga disponibles modelos mejorados, a entera discreción de BSH, por un cargo adicional). Todas las piezas y los componentes extraídos serán propiedad de BSH, a su entera discreción. Todas las piezas reemplazadas y/o reparadas se considerarán como la pieza original a los fines de esta garantía, y esta garantía no se extenderá con respecto a dichas piezas. En virtud del presente, la única y exclusiva responsabilidad y obligación de BSH es únicamente reparar el Producto defectuoso de fábrica, a través de un proveedor de servicio técnico autorizado por BSH durante el horario normal de oficina. Por cuestiones de seguridad y daños materiales, BSH recomienda categóricamente que no intente reparar el Producto usted mismo ni use un centro de servicio técnico no autorizado; BSH no tendrá responsabilidad ni obligación alguna por las reparaciones o trabajos realizados por un centro de servicio técnico no autorizado. Si usted prefiere que una persona que no es un proveedor de servicio técnico autorizado trabaje en su Producto, ESTA GARANTÍA SE ANULARÁ AUTOMÁTICAMENTE. Los proveedores de servicio técnico autorizados son aquellas personas o compañías que han sido especialmente capacitadas para manejar los productos de BSH y que tienen, según el criterio de BSH, una reputación superior de servicio al cliente y capacidad técnica (debe tener en cuenta que son entidades independientes y no son agentes, socios, afiliados ni representantes de BSH). Sin perjuicio de lo que antecede, BSH no tendrá responsabilidad ni obligación alguna por el Producto que se encuentre en un área remota (a más de 100 millas de un proveedor de servicio técnico autorizado) o en un lugar, área circundante o entorno que no sea accesible por medios razonables o que sea peligroso, hostil o arriesgado; en cualquier caso, a su solicitud, BSH de todas maneras pagará por la mano de obra y las piezas, y enviará las piezas al proveedor de servicio técnico autorizado más cercano, pero usted seguirá siendo totalmente responsable por el tiempo de viaje y demás cargos especiales de la compañía de servicio técnico, suponiendo que acepte hacer la visita de servicio técnico.

## Producto fuera de garantía

BSH no tiene obligación alguna, en virtud de la ley o por otro motivo, de otorgarle ninguna concesión, incluidos reparaciones, prorratesos o reemplazo del Producto, con posterioridad al vencimiento de la garantía.



## Exclusiones de la garantía

La cobertura de garantía descrita en el presente excluye todos los defectos o daños que no fueron provocados directamente por BSH, incluidos, entre otros, alguno de los siguientes:

- Uso del Producto de maneras distintas del uso normal, habitual y previsto (incluidos, entre otros, cualquier forma de uso comercial, uso o almacenamiento en exteriores de un producto diseñado para interiores, uso del Producto en aeronaves o embarcaciones).
- Conducta indebida, negligencia, uso indebido, abuso, accidentes, descuido, operación inadecuada, omisión de mantener, instalación inadecuada o negligente, adulteración, omisión de seguir las instrucciones de operación, manipulación inadecuada, servicio técnico no autorizado (incluidos "arreglos" o exploración de los mecanismos internos del electrodoméstico realizados por uno mismo) por parte de cualquier persona.
- Ajuste, alteración o modificación de cualquier tipo.
- Incumplimiento de los códigos, reglamentaciones o leyes de electricidad, plomería y/o construcción locales, municipales o de condado, incluida la omisión de instalar el producto cumpliendo estrictamente con los códigos y reglamentaciones locales de construcción y protección contra incendios.
- Desgaste habitual, derrames de alimentos, líquidos, acumulaciones de grasa u otras sustancias que se acumulen sobre, dentro o alrededor del Producto.
- Y cualquier fuerza y factor externo, elemental y/o ambiental, incluidos, entre otros, lluvia, viento, arena, inundaciones, incendios, aludes de lodo, temperaturas bajas extremas, humedad excesiva o exposición prolongada a la humedad, rayos, sobrecargas eléctricas, fallas estructurales alrededor del electrodoméstico y caso fortuito.

En ningún caso, BSH tendrá responsabilidad ni obligación alguna por los daños ocasionados a los bienes circundantes, incluidos los gabinetes, pisos, techos y demás estructuras u objetos que se encuentren alrededor del producto. También se excluyen de esta garantía productos en los cuales los números de serie hayan sido alterados, modificados o eliminados; visitas del servicio técnico para enseñarle a usar el Producto o visitas en las que se determine que no hay ningún problema con el Producto; corrección de los problemas de instalación (usted es el único responsable de cualquier estructura y soporte del Producto, incluidas las instalaciones de electricidad y plomería o demás instalaciones de conexión, de la correcta instalación en bases/pisos y de cualquier alteración, incluidos, entre otros, gabinetes, paredes, pisos, repisas, etc.); y el restablecimiento de disyuntores o fusibles.

EN LA MEDIDA PERMITIDA POR LA LEY, ESTA GARANTÍA ESTABLECE SUS RECURSOS EXCLUSIVOS CON RESPECTO AL PRODUCTO, INDEPENDIENTEMENTE DE QUE LA RECLAMACIÓN SEA CONTRACTUAL O EXTRA CONTRACTUAL (INCLUIDA LA RESPONSABILIDAD OBJETIVA O LA NEGLIGENCIA), O DE CUALQUIER OTRO MODO. ESTA GARANTÍA REEMPLAZA TODAS LAS DEMÁS

GARANTÍAS EXPRESAS O IMPLÍCITAS. LAS GARANTÍAS IMPLÍCITAS POR LEY, YA SEA DE COMERCIABILIDAD O APTITUD PARA UN FIN ESPECÍFICO, O DE CUALQUIER OTRO TIPO, TENDRÁN VIGENCIA ÚNICAMENTE POR EL PERÍODO DE VIGENCIA DE LA PRESENTE GARANTÍA LIMITADA EXPRESA. EN NINGÚN CASO, EL FABRICANTE SERÁ RESPONSABLE POR LOS DAÑOS CONSECUENTES, ESPECIALES, INCIDENTALES, INDIRECTOS, POR "PÉRDIDAS COMERCIALES" Y/O DAÑOS PUNITIVOS, PÉRDIDAS O GASTOS, INCLUIDOS, ENTRE OTROS, TIEMPO FUERA DEL TRABAJO, HOTELES Y/O COMIDAS EN RESTAURANTES, GASTOS DE REMODELACIÓN QUE SUPEREN LOS DAÑOS DIRECTOS, QUE DEFINITIVAMENTE HAYAN SIDO CAUSADOS DE MANERA EXCLUSIVA POR BSH O DE OTRO MODO. ALGUNOS ESTADOS NO PERMITEN LA EXCLUSIÓN O LIMITACIÓN DE DAÑOS INCIDENTALES O CONSECUENTES, Y ALGUNOS ESTADOS NO PERMITEN LIMITACIONES CON RESPECTO AL PLAZO DE VIGENCIA DE UNA GARANTÍA IMPLÍCITA; POR LO TANTO, ES POSIBLE QUE LAS LIMITACIONES PRECEDENTES NO SE APLIQUEN. ESTA GARANTÍA LE OTORGA DERECHOS LEGALES ESPECÍFICOS, Y TAMBIÉN PUEDEN CORRESPONDERLE OTROS DERECHOS QUE PUEDEN VARIAR SEGÚN EL ESTADO. Ningún intento de alterar, modificar o enmendar la presente garantía entrará en vigencia, a menos que fuera autorizado por escrito por un ejecutivo de BSH.











**9001503767**

914775747  
991202



**BOSCH**

Invented for life

1901 Main Street, Suite 600 • Irvine, CA 92614 • 800-944-2904  
[www.bosch-home.com](http://www.bosch-home.com) • © 2019 BSH Home Appliances