



Powered by the exclusive iQ Blower System™ with GPS Technology (see page 62) for the quietest, most energy efficient and fastest smoke and odor removal available in a range hood; external blowers offered separately.

Bright Halogen lighting floods the cooktop and surrounding area for clear visibility.

Mesh lined Hi-Flow™ baffle filters provide superior grease capture to ensure a clean, fresh kitchen.

Heat Sentry™ detects excessive heat and adjusts blower to high automatically.

Works with optional Universal Make-Up Air Dampers.

Model Numbers:

WPP9IQ36SB	WPP9IQT36SB	WPP9IQT48SB	WPP9E36SB	WPP9E48SB
WPP9IQ42SB	WPP9IQT42SB	WPP9IQT54SB	WPP9E42SB	WPP9E54SB

Hood Sizes

Internal iQ6 Blower Widths	36", 42"
Internal iQ12 Blower Widths	36", 42", 48", 54"
External Blower Widths:	36", 42", 48", 54"
Depth	24"

Finish

Stocked	Brushed Stainless Steel
Special Order	Not Available

Features

Lighting Type	Halogen, T4, G9, 25 watt
Number of Lamps	3 on 36", 42" 4 on 48", 54"
Lighting Levels	2
Lighting Lamps Included	Yes
Control Type	3-speed Plus Boost Electronic Pushbutton with Display
Control Features	Heat Sentry™, Delay Off, Filter Clean Reminder
Remote Control	Not Available
Filter Type	Hi-Flow™ Baffle Filter
Non-ducted Capability	Yes for iQ6 models only

Hood Blower Included (WPP9IQ)

Internal	iQ6	iQ12
Blower CFM	600	1200
Sones Low/High	0.3/8.5	0.3/10.5

Hood Blower Options (WPP9E blowers sold separately)

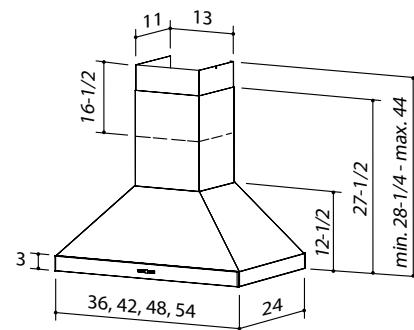
External In-line	ILB3	ILB6	ILB9	ILB11
Max CFM	280	600	800	1100
Sone levels are typically half of comparable CFM internal blowers.				
External Exterior	EB6	EB9	EB12	EB15
Max CFM	600	900	1200	1500
Sone levels are typically half of comparable CFM internal blowers.				

Accessories

10'-11' Flue Extension (Ducted)	AEWPP9SB
10'-11' Flue Extension (Non-ducted)	AEWPP9SBN
Non-Duct Kit for iQ6	ANKWPP9
Non-Duct Filter	AFCROUND2
Universal MUA Damper	MD6TU, MD8TU, MD10TU

Installation Requirements

Amps @ 120V: Internal Blower	4.5 (Single)
Amps @ 120V: Internal Blower	8.5 (Dual)
Amps @ 120V: External Blower	7.0 Max
Electrical Connection	Direct Wire
Duct Size: Internal Blower	8" on iQ6 10" on iQ12
Duct Size: External Blower	10" (at hood)
Duct Direction	Vertical
Backdraft Damper	Included



Installation height above the cooking surface: 24"-36"

Telescopic flue for 8'-9' ceiling is standard. Optional flue extensions for 10'-11' ceiling

Reversible telescopic flue allows non-ducted recirculation. (see page 68)

For more details see the product specifications sheet found at www.BESTRangeHoods.com



Three-speed, plus boost, electronic controls include 10-minute delay-off and filter clean reminder.



Halogen lamps brilliantly illuminate the cooktop. Three lamps on 36" and 42"; four lamps on 48" and 54" (use image G9T4 Halogen).



Hi-Flow™ baffle filters utilize a V-mesh & baffle design to increase airflow, decrease sound levels and provide excellent ventilation efficiency.

