

600 CFM Remote Blower

Downdraft Ventilation – DHG6023RUC



BOSCH
Invented for life



DHG6023RUC

600 CFM remote blower.

Features & Benefits

For use with Bosch downdrafts.

Can be mounted on the exterior of the home to minimize noise in the cooking area.

Blower is mounted on roof of exterior wall depending on application needs.

6" transition required (DHZDHR6)

General Properties

Operating mode	Ducted
Maximum CFM	600 CFM
Number of speed settings	3-stage
Motor location	Remote blower

Technical Details

Watts (W)	530 W
Volts (V)	120 V
Frequency (Hz)	60 Hz
Plug type	No plug
Power cord length (in.)	30"



Dimensions & Weight

Overall appliance dimensions (width of canopy included) (HxWxD) (in.)	19" / x 14 7/16" x 10 13/16"
Diameter of air duct (in.) top	6"
Diameter of air duct (in.) back	6"
Net weight (lbs)	24 lbs

Accessories-Required

25 ft. blower connector cable	EXTNCB25
-------------------------------	----------



DHZDHR6
6" duct transition

NOTE:
Required with the installation of inline and remote blowers for downdraft applications only. DHZDHR6 is for 600 CFM which will improve overall performance.

Accessories: To purchase Bosch accessories, cleaners & parts please visit www.bosch-home.com/us/store or call 1-800-944-2904 (Mon to Fri 5 am to 6 pm PST, Sat 6 am to 3 pm PST).

Notes: All height, width and depth dimensions are shown in inches. BSH reserves the absolute and unrestricted right to change product materials and specifications, at any time, without notice. Consult the product's installation instructions for final dimensional data and other details prior to making cutout.

Warranties: Please see Use & Care manual or Bosch website for statement of limited warranty.

For more information on our entire line of products, go to www.bosch-home.com/us or call 1-800-944-2904

© BSH Home Appliances Corporation. All rights reserved. Bosch is a registered trademark of Robert Bosch GmbH.

600 CFM Remote Blower

Downdraft Ventilation – DHG6023RUC

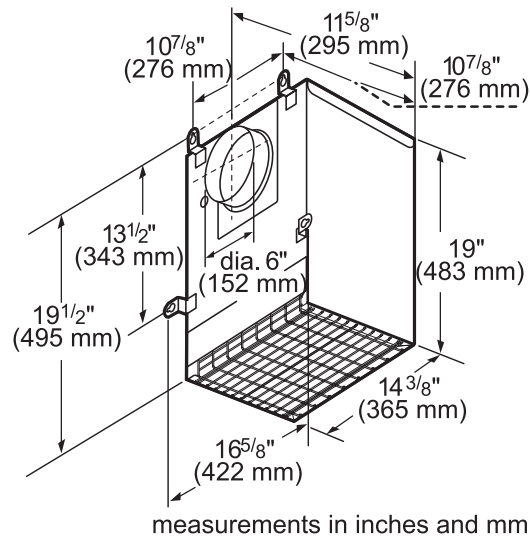


BOSCH

Invented for life



Installation Details



Accessories: To purchase Bosch accessories, cleaners & parts please visit www.bosch-home.com/us/store or call 1-800-944-2904 (Mon to Fri 5 am to 6 pm PST, Sat 6 am to 3 pm PST).

Notes: All height, width and depth dimensions are shown in inches. BSH reserves the absolute and unrestricted right to change product materials and specifications, at any time, without notice. Consult the product's installation instructions for final dimensional data and other details prior to making cutout.

Warranties: Please see Use & Care manual or Bosch website for statement of limited warranty.

For more information on our entire line of products, go to www.bosch-home.com/us or call 1-800-944-2904

© BSH Home Appliances Corporation. All rights reserved. Bosch is a registered trademark of Robert Bosch GmbH.