

600 CFM Inline Blower

Downdraft Ventilation – DHG6015NUC



BOSCH
Invented for life



DHG6015NUC

600 CFM inline blower.

Features & Benefits

For use with Bosch downdrafts.

Inline blowers can be mounted remotely to minimize blower noise in the cooking area.

Designed to be mounted inline with the ducting installation.

Blower is mounted on roof of exterior wall depending on application needs.

6" transition required (DHZDHR6)

General Properties	
Operating mode	Ducted
Maximum CFM	600 CFM
Number of speed settings	3-stage
Motor location	Inline blower
Technical Details	
Watts (W)	530 W
Volts (V)	120 V
Frequency (Hz)	60 Hz
Plug type	No plug
Power cord length (in.)	30"



Dimensions & Weight	
Overall appliance dimensions (width of canopy included) (HxWxD) (in.)	15 1/2" / x 14 1/8" x 9 7/8"
Diameter of air duct (in.) top	6"
Diameter of air duct (in.) back	6"
Net weight (lbs)	20 lbs
Accessories-Required	
25 ft. blower connector cable	EXTNCB25



DHZDHR6
6" duct transition

NOTE:
Required with the installation of inline and remote blowers for downdraft applications only. DHZDHR6 is for 600 CFM which will improve overall performance.

Accessories: To purchase Bosch accessories, cleaners & parts please visit www.bosch-home.com/us/store or call 1-800-944-2904 (Mon to Fri 5 am to 6 pm PST, Sat 6 am to 3 pm PST).

Notes: All height, width and depth dimensions are shown in inches. BSH reserves the absolute and unrestricted right to change product materials and specifications, at any time, without notice. Consult the product's installation instructions for final dimensional data and other details prior to making cutout.

Warranties: Please see Use & Care manual or Bosch website for statement of limited warranty.

For more information on our entire line of products, go to www.bosch-home.com/us or call 1-800-944-2904

© BSH Home Appliances Corporation. All rights reserved. Bosch is a registered trademark of Robert Bosch GmbH.

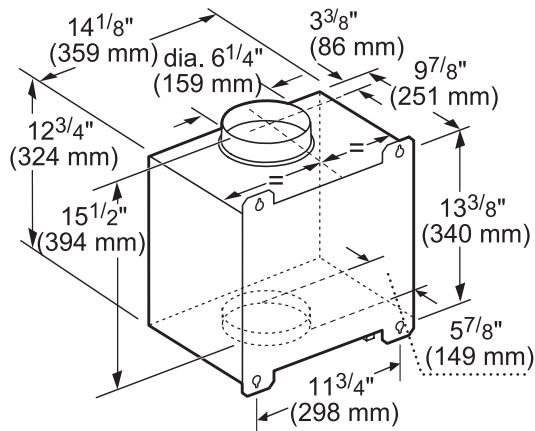
600 CFM Inline Blower

Downdraft Ventilation – DHG6015NUC



BOSCH
Invented for life

Installation Details



measurements in inches and mm

Accessories: To purchase Bosch accessories, cleaners & parts please visit www.bosch-home.com/us/store or call 1-800-944-2904 (Mon to Fri 5 am to 6 pm PST, Sat 6 am to 3 pm PST).

Notes: All height, width and depth dimensions are shown in inches. BSH reserves the absolute and unrestricted right to change product materials and specifications, at any time, without notice. Consult the product's installation instructions for final dimensional data and other details prior to making cutout.

Warranties: Please see Use & Care manual or Bosch website for statement of limited warranty.

For more information on our entire line of products, go to www.bosch-home.com/us or call 1-800-944-2904

© BSH Home Appliances Corporation. All rights reserved. Bosch is a registered trademark of Robert Bosch GmbH.

07/18