

Use and care

GUIDE

Professional Series Pro Grand[®] Ranges



Use and care
GUIDE

Professional Series Pro Grand® Ranges

Table of Contents (English) 4
Table de Matières (Français)..... 58

**Models |
Modèles :**

- PRD364WDGU/C
- PRD364WIGU/C
- PRD364WLGU/C
- PRD366WGU/C
- PRD484WCGU/C
- PRD486WDGU/C
- PRD486WIGU/C
- PRD486WLGU/C
- PRG364WDG
- PRG364WLG
- PRG366WG
- PRG486WDG
- PRG486WLG



Home Connect™ user's information

Wi-Fi® module

FCC/IC statements

Model: COM2
FCC ID: 2AHES-COM2
IC: 21152-COM2

The Home Connect module is a communication device designed to provide communication between appliances and smart devices.

This module is integrated at the factory, under direct control of BSH Home Appliances Corporation, and is not user serviceable or upgradable. At least 20 cm separation distance should be maintained from device to user.

FCC COMPLIANCE STATEMENT

CAUTION: Changes or modifications not expressly approved could void your authority to use this equipment.

This device complies with Part 15 of the FCC Rules. Operation to the following two conditions: (1) This device may not cause harmful interference, and (2) This device must accept any interference received, including interference that may cause undesired operation.

INDUSTRY CANADA STATEMENT

This device complies with Industry Canada licence-exempt RSS standard(s). Operation is subject to the following two conditions: (1) this device may not cause interference, and (2) this device must accept any interference, including interference that may cause undesired operation of the device.

Operation in the band 5150-5250 MHz is only for indoor use to reduce the potential for harmful interference to co-channel mobile satellite systems.

Le présent appareil est conforme aux CNR d'Industrie Canada applicables aux appareils radio exempts de licence. L'exploitation est autorisée aux deux conditions suivantes : (1) l'appareil ne doit pas produire de brouillage, et (2) l'utilisateur de l'appareil doit accepter tout brouillage radioélectrique subi, même si le brouillage est susceptible d'en compromettre le fonctionnement.

Le fonctionnement dans la plage de 5150 à 5250 MHz est uniquement pour une utilisation intérieure afin de réduire le potentiel d'interférences nuisibles aux systèmes de satellites mobiles sur les canaux.

Congratulations!

Congratulations on your recent Thermador purchase! Whether you are a dedicated chef or simply a connoisseur of the art of cooking, owning a Thermador kitchen is the ultimate expression of personal style, good taste and an appreciation for the complete culinary experience. Our award-winning products have been empowering culinary enthusiasts for more than eleven decades.

Before you begin using your new Thermador product, please take a moment to review the Use and Care Guide. You will find the answers to all of your questions as well as some very important safety information. Pay special attention to the Important Safety Instructions located at the beginning of the manual. Your Thermador product is ready and waiting to be used for your next gourmet creation!

Our products are handcrafted with the highest quality authentic materials to ensure years of reliable service. In the unlikely event that you have a service question, please have your model and serial numbers of your product available (see the "Before Calling For Service" section for location).

We realize that you have made a considerable investment in your kitchen. Please feel free to share your Thermador kitchen photos and remodeling stories with us. Follow us on Twitter or post your kitchen photos on Facebook. We would love to hear from you!

Thermador wishes you many years of creative cooking.

Félicitations!

Félicitations pour votre récent achat Thermador! Que vous soyez un chef enthousiaste ou un simple connoisseur de l'art culinaire, le fait de posséder une cuisine Thermador représente l'expression ultime de votre style personnel, de votre bon goût et de votre intérêt à vivre une expérience culinaire complète. Nos produits primés permettent à des adeptes de la bonne bouffe d'atteindre de nouveaux sommets depuis plus de onze décennies.


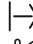
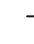
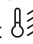

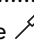


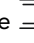
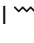

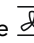


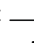



Avant de commencer à utiliser votre nouveau produit Thermador, veuillez prendre un moment pour examiner ce guide d'utilisation et d'entretien. Vous trouverez des réponses à toutes vos questions ainsi que quelques renseignements essentiels en matière de sécurité. Portez une attention particulière aux Instructions de sécurité importantes se trouvant au début du guide. Votre produit Thermador est prêt et n'attend plus que vous l'utilisiez pour votre prochaine création gastronomique!


Nos produits sont fabriqués à la main avec des matériaux authentiques de haute qualité afin d'assurer des années de service fiable. Dans l'éventualité improbable où vous auriez une question relativement à l'entretien, veuillez avoir à la portée de la main le numéro de série et de modèle de votre produit (reportez vous "Avant d'appeler le service technique").

Nous savons bien que vous avez investi une somme considérable dans votre cuisine. N'hésitez pas à partager avec nous les photos de votre cuisine Thermador et les anecdotes relatives au remodelage de votre cuisine. Suivez-nous sur Twitter ou affichez des photos de votre cuisine sur Facebook. Nous serions ravis d'avoir de vos nouvelles!

Thermador vous souhaite de nombreuses années de gastronomie créative.

Table of CONTENTS

Safety	5
Important safety instructions	5
Description	11
Appliance identification	11
Before you begin	16
Getting started	16
Using the rangetop	18
Sealed STAR® burners	18
ExtraLow® burners	19
POWERBOOST® burner.....	19
Electric griddle	25
Electric grill	28
Using the oven.....	31
Symbols and descriptions.....	31
Initial start-up.....	32
Setting the oven(s).....	33
Timers   	33
Fast preheat 	34
Panel lock 	34
Convection conversion	35
Fine tuning the oven.....	35
Multi-point meat probe 	35
Sabbath 	36
Remote start 	38
Getting the most out of your appliance	39
Oven rack positions	39
Bake 	39
Broil 	40
Convection broil 	41
Convection bake 	41
True convection 	43
Proof 	43
Roast 	43
Convection roast 	44
Keep warm 	44
Setting up Home Connect™.....	45
Setup	45
Care and maintenance	47
Self-clean 	47

Appliance cleaning tips	48
Do-it-yourself maintenance	53
Oven light bulb replacement	53
Before calling for service	54
Troubleshooting	54
Service information	55
Remote customer service connection 	55
Product registration.....	55
Statement of limited product warranty	56
Support, accessories, and parts.....	back page

Safety DEFINITIONS

▲ WARNING

This indicates that death or serious injuries may occur as a result of non-observance of this warning.

▲ CAUTION

This indicates that minor or moderate injuries may occur as a result of non-observance of this warning.

NOTICE: This indicates that damage to the appliance or property may occur as a result of non-compliance with this advisory.

Note: This alerts you to important information and/or tips.

This THERMADOR® appliance is made by
 BSH Home Appliances Corporation
 1901 Main Street, Suite 600
 Irvine, CA 92614

Questions?
 1-800-735-4328
 www.thermador.com

We look forward to hearing from you!

Safety

⚠ IMPORTANT SAFETY INSTRUCTIONS READ AND SAVE THESE INSTRUCTIONS

Please read carefully

Installer: Please leave this guide with this unit for the owner.

Owner: Please retain this guide for future reference. Use the appliance only for its intended purpose as described in this manual.

WARNING

When properly cared for, your new appliance has been designed to be safe and reliable. Read all instructions carefully before use. These precautions will reduce the risk of burns, electric shock, fire, and injury to persons. When using kitchen appliances, basic safety precautions must be followed, including these in the following pages.

WARNING



If the information in this manual is not followed exactly, a fire or explosion may result causing property damage, personal injury or death.

- DO NOT store or use gasoline or other flammable vapors and liquids in the vicinity of this or any other appliance.
- WHAT TO DO IF YOU SMELL GAS
 - DO NOT try to light any appliance.
 - DO NOT touch any electrical switch.
 - DO NOT use any phone in your building.
 - Immediately call your gas supplier from a neighbor's phone. Follow the gas supplier's instructions.
 - If you cannot reach your gas supplier, call the fire department.
- Installation and service must be performed by a qualified installer, service agency or the gas supplier.

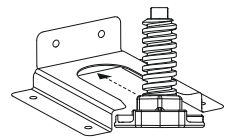
WARNING



DANGER OF TIPPING



- All ranges can tip and injury can result. To prevent accidental tipping of the range, attach it to the floor, wall, or cabinet by installing the anti-tip bracket supplied.
- A child or adult can tip the range over and be killed or seriously injured. Verify that the anti-tip bracket is securely installed. Ensure the anti-tip bracket is engaged when the range is moved.
- **DO NOT** operate the range without the anti-tip bracket in place. Failure to follow the instructions in this manual can result in death or serious burns to children and adults.
- If the range is pulled away from the wall for cleaning, service, or any other reason, ensure that the anti-tip bracket is properly reengaged when the range is pushed back against the wall. In the event of abnormal usage (such as a person standing, sitting, or leaning on an open door), failure to take this precaution can result in tipping of the range. Personal injury might result from spilled hot liquids or from the range itself.
- Check for proper installation and use of anti-tip bracket. Carefully tip range forward pulling from the back to ensure that the anti-tip bracket engages the range and prevents tip-over. Range should not move more than 1" (2.5 cm).



WARNING

Improper installation, adjustment, alteration, service or maintenance can cause injury or property damage. Refer to this manual. For assistance or additional information consult a qualified installer, service agency, manufacturer or the gas supplier.

WARNING

To provide proper ventilation of the range **DO NOT** remove range feet.

⚠ IMPORTANT SAFETY INSTRUCTIONS

READ AND SAVE THESE INSTRUCTIONS

WARNING

Before servicing or cleaning the unit, switch power off at service panel and lock service panel. This will prevent power from being switched on accidentally. When the service panel cannot be locked, securely fasten a prominent warning device, such as a tag to the service panel.

Gas type verification

Natural gas – 7 in. water column (17.4 mb) min., 14 in. (34.9 mb) maximum

Propane gas – 11 in. water column (27.4 mb) min., 14 in. (34.9 mb) maximum

Verify the type of gas supplied to the location. Ensure that the appliance is connected to the type of gas for which it is certified. Refer to the data rating label.

WARNING

If a gas conversion kit is used, the kit shall be installed by qualified technician in accordance with the manufacturer's instructions and all applicable codes and requirements of the authority having jurisdiction. If the information in the instructions is not followed exactly, a fire, explosion or production of carbon monoxide may result causing property damage, personal injury or loss of life. The qualified technician is responsible for the proper installation of the kit. The installation is not proper and complete until the operation of the converted appliance is checked as specified in the manufacturer's instructions supplied with the kit.

CAUTION

When connecting the unit to propane gas, make certain the propane gas tank is equipped with its own high-pressure regulator in addition to the pressure regulator supplied with the appliance. The maximum gas pressure to this appliance must not exceed 14.0" water column (34.9 mb) from the propane gas tank to the pressure regulator.

For Massachusetts installations:

1. Installation must be performed by a qualified or licensed contractor, plumber or gas fitter qualified or licensed by the state, province or region where this appliance is being installed.
2. Shut-off valve must be a "T" handle gas cock.
3. Flexible gas connector must not be longer than 36" (914 mm).

Ensure proper installation and servicing. Follow the Installation Instructions provided with this product. Have the appliance installed and electrically grounded by a qualified technician.

In the event a burner goes out and gas escapes, open a window or a door. **DO NOT** attempt to use the appliance until the gas has had time to dissipate. Wait at least 5 minutes before using the appliance.

DO NOT repair or replace any part of the appliance unless specifically recommended in this manual. All servicing should be referred to an authorized servicer.

Electrical requirements

WARNING



IN CASE OF AN ELECTRICAL FAILURE

If for any reason a gas control knob is turned ON and there is no electrical power to operate the electronic igniters on the burners, turn OFF the gas control knob and wait 5 minutes for the gas to dissipate before lighting the burner manually.

To light the burners manually, carefully hold a lighted match to the burner ports and turn the gas control knob to HI. During a power failure, you can use the standard burners, but each must be lit with a match.

DO NOT attempt to light the XLO[®] burners manually. These burners are equipped with the ExtraLow[®] feature and cannot be lit manually.

The appliance must be electrically grounded in accordance with local codes or, in the absence of local codes, with the National Electrical Code, NFPA 70 or the Canadian Electric Code, CSA C22.1-02.

WARNING

Never Operate the Top Surface Cooking Section of this Appliance Unattended

- Failure to follow this warning statement could result in fire, explosion, or burn hazard that could cause property damage, personal injury, or death.
 - If a fire should occur, keep away from the appliance and immediately call your fire department. **DO NOT ATTEMPT TO EXTINGUISH AN OIL/GREASE FIRE WITH WATER.**
-

IMPORTANT SAFETY INSTRUCTIONS

READ AND SAVE THESE INSTRUCTIONS

It is the personal responsibility and obligation of you, the user, to have this appliance connected to the electrical power supply by a qualified electrician, in accordance with the National Electrical Code and/or applicable local codes and ordinances.

Service should only be done by an authorized servicer.

Always disconnect the electrical plug from the wall receptacle before servicing this unit.

See the Installation Instructions for electrical requirements and grounding instructions.

Have the installer show you where the electric circuit breaker and the gas supply shut off valve are located so you know how and where to turn off the gas and electricity to the appliance.

Installation and maintenance must be carried out correctly. Follow the instructions in the Installation Instructions supplied with the product. Make sure that a qualified electrician installs and performs grounding of the appliance.

This appliance complies with the following Safety Codes and Standards:

- UL 858, The Standard for the Safety of Household Electric Ranges
- ANSI Z21.1, The American National Standard for Household Cooking Gas Appliances
- CAN1-1.1-M81, Domestic Gas Ranges
- CSA C22.2 No. 61, Household Cooking Ranges

Installation must conform with local codes or, in the absence of local codes, with the National Fuel Gas Code, ANSI Z223.1/NFPA 54 or, in Canada, the Natural Gas and Propane Installation Code, CSA B149.1.

Installation of appliances designed for manufactured (mobile) home installation must conform with the Manufactured Home Construction and Safety Standard, Title 24 CFR, Part 3280 [formerly the Federal Standard for Mobile Home Construction and Safety, Title 24, HUD (Part 280)] or with local codes where applicable.

Installation of appliances designed for recreational park trailers must conform with state or other codes or, in the absence of such codes, with the Standard for Recreational Park Trailers, ANSI A119.5.

Clearances from non-combustible materials are not part of the ANSI Z21.1 scope and are not certified by CSA. Clearances under 6 inches should be approved by the local codes and/or by the local authority having jurisdiction.

It is the responsibility of the owner and the installer to determine if additional requirements and/or standards apply to specific installations.

The maximum depth of cabinets installed above cooking surface must be 13" (330 mm).

Child safety

WARNING

DO NOT store items of interest to children above or at the back of the appliance. If children should climb onto the appliance to reach these items, they could be seriously injured.

When children become old enough to use the appliance, it is the responsibility of the parents or guardians to ensure that they are instructed in safe operation of the appliance by qualified persons.

DO NOT allow anyone to climb, stand, lean, sit, or hang on any part of an appliance. This can damage the appliance, and the unit may tip over, potentially causing severe injury.

DO NOT allow children to use this appliance unless closely supervised by an adult.

Children and pets should not be left alone or unattended in the area where the appliance is in use. They should never be allowed to play in its vicinity, whether or not the appliance is in use.

Proposition 65 Warning

This product may contain a chemical known to the State of California, which can cause cancer or reproductive harm. Therefore, the packaging of your product may bear the following label as required by California:

State of California Proposition 65 Warning:

 **WARNING**

Cancer and Reproductive Harm -
www.P65Warnings.ca.gov

IMPORTANT SAFETY INSTRUCTIONS

READ AND SAVE THESE INSTRUCTIONS

General safety

WARNING

To reduce the risk of injury to persons, in the event of a range top grease fire, observe the following:

- Smother flames with a close-fitting lid, cookie sheet, or other metal tray, then turn off the gas burner or the electric element. Be careful to prevent burns. If the flames do not go out immediately, evacuate and call the fire department.
- Never pick up a flaming pan. You may be burned.
- **DO NOT** use water, including wet dish cloths or towels, to extinguish flames – a violent steam explosion will result.
- Use an extinguisher **ONLY** if:
 - You know you have a class ABC extinguisher and you already know how to operate it.
 - The fire is small and contained in the area where it started.
 - The fire department is being called.
 - You can fight the fire with your back to an exit.

WARNING

To eliminate risk of burns or fire caused by reaching over heated surface units, cabinet storage located above the surface units should be avoided.

WARNING

TO REDUCE THE RISK OF A GREASE FIRE

- Never leave surface units unattended at high settings. Boilovers cause smoking and greasy spillovers that may ignite. Heat oils slowly on low or medium settings.
- Always turn hood ON when cooking at high heat or when flambéing food (i.e. Crepes Suzette, Cherries Jubilee, Peppercorn Beef Flambé).
- Clean hood filters frequently. Grease should not be allowed to accumulate on fan or filter.
- Use proper pan size. Always use cookware appropriate for the size of the appliance burner.

NEVER use any part of the appliance for storage. Flammable materials can catch fire and plastic items may melt or ignite. **DO NOT** hang articles from any part of the appliance. Some fabrics are quite flammable and may catch on fire.

If the appliance is near a window, be certain the curtains do not blow over or near the appliance burners; they could catch on fire.

ALWAYS have a working smoke detector near the kitchen. In the event that personal clothing or hair catches fire, drop and roll immediately to extinguish flames.

Have an appropriate fire extinguisher available nearby, highly visible, and easily accessible near the cooking appliance.

Smother flames from food fires, other than grease fires, with baking soda. Never use water on cooking fires.

Whenever possible, do not operate the ventilation system during a fire. However, **DO NOT** reach through fire to turn it off.

NEVER let clothing, potholders, or other flammable materials come in contact with or too close to any burner or burner grate until it has cooled. Fabric may ignite and result in personal injury.

Use only dry potholders: moist or damp potholders on hot surfaces may cause burns from steam. **DO NOT** use a towel or other bulky cloth in place of potholders. **DO NOT** let potholders touch hot burners or burner grates.

For personal safety, wear proper apparel. Loose fitting garments or hanging sleeves should never be worn while using this appliance. Some synthetic fabrics are highly flammable and should not be worn while cooking.

DO NOT use aluminum foil to line any part of the appliance. Use of a foil liner could result in a shock or fire hazard, or the obstruction of the flow of combustion and ventilation air. Foil is an excellent heat insulator and heat will be trapped beneath it. This will upset the cooking performance and can damage the finish of the appliance.

WARNING

The appliance is for cooking. Based on safety considerations, never use the appliance to warm or heat a room. Doing so may result in carbon monoxide poisoning and overheating of the unit. Also, such use can damage the appliance parts.

When using the appliance: **DO NOT TOUCH THE BURNER GRATES OR THE IMMEDIATE SURROUNDING AREA.** Areas adjacent to the burners may become hot enough to cause burns.

⚠ IMPORTANT SAFETY INSTRUCTIONS

READ AND SAVE THESE INSTRUCTIONS

Never leave the appliance unattended when using high flame settings. Boil overs cause smoking and greasy spillovers that may ignite. Also, if the burner flames and igniter are smothered with spillage, unburned gas will escape into the room. See page 5 regarding gas leaks.

Only certain types of glass, heatproof glass-ceramic, ceramic, earthenware, or other glazed cookware are suitable for cooking on the burners. This type of cookware may break with sudden temperature changes. Use only on low or medium heat settings according to the utensil manufacturer's directions.

DO NOT heat or warm unopened food containers. Build-up of pressure may cause the container to burst and cause injury.

WARNING

During cooking, set the burner control so that the flame heats only the bottom of the pan and does not extend beyond the bottom of the pan. This instruction is based on safety considerations.

Use caution to ensure that drafts like those from forced air vents or fans do not blow flammable material toward the flames or push the flames so that they extend beyond the edges of the pot.

Always use pots and pans that have flat bottoms large enough to cover the burner. The use of undersized pots and pans could expose a portion of the flame and may result in ignition of clothing.

WARNING

Avoid using high flame setting with a pan larger than the grate or with one that spans more than one burner, such as a griddle, for prolonged periods of time. This can result in poor combustion that generates harmful by-products.

DO NOT use pots or pans on the grill plate accessory (purchased separately). Bakeware, such as large casserole pans, cookie sheets, etc., should never be used on the accessory.

DO NOT use flammable cleaners to clean the appliance.

Remove the optional cutting board or griddle cover accessory, which is stored on top of the griddle plate, before operating the griddle or any adjacent burners.

GREASE IS FLAMMABLE. Let hot grease cool before attempting to handle it. Avoid letting grease deposits collect. Clean after each use.

For proper lighting and performance of the burners, keep the igniter ports clean. It is necessary to clean the ports when there is a boil over or when the burner does not light even though the electronic igniters activate.

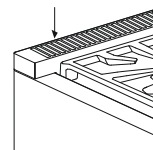
Clean the appliance with caution. Avoid steam burns; **DO NOT** use a wet sponge or cloth to clean the appliance while it is hot. Some cleaners produce noxious fumes if applied to a hot surface. Follow directions provided by the cleaner manufacturer.

WARNING

After a spill or boil over, turn off the burner and using caution due to possible hot surfaces, clean around the burner and burner ports. After cleaning, check for proper operation.

Be sure all controls are turned off and the appliance is cool before using any type of aerosol cleaner on or around the appliance. The chemical that produces the spraying action could, in the presence of heat, ignite or cause metal parts to corrode.

WARNING



DO NOT block or obstruct the flow of air through the ventilation openings. The vent is located at the back of the appliance. The vent needs to be unobstructed and open to provide necessary airflow that is important for proper performance.

DO NOT touch vent area while the appliance is on and for several minutes after the appliance is off. Some parts of the vent and surrounding areas become hot enough to cause burns. Allow appliance sufficient time to cool before touching or cleaning vent areas.

DO NOT position plastic or other heat-sensitive items on or near the vent. These items could melt or ignite.

DO NOT obstruct the flow of combustion or ventilation air.

DO NOT use the grill plate accessory for cooking excessively fatty meats or products which promote flare-ups.

When cooking fatty or oily foods on burners, the grill, or the griddle, adjacent gas burners can ignite airborne fumes. Use caution to avoid burns.

To avoid a fire hazard, grease accumulation must be prevented by frequently cleaning the ventilation hood and filters.

IMPORTANT SAFETY INSTRUCTIONS

READ AND SAVE THESE INSTRUCTIONS

In case of fire or when intentionally “flaming” liquor or other spirits on the appliance, follow manufacturer’s instructions. Use caution when cooking foods with high alcohol content (e.g. rum, brandy, bourbon). Alcohol evaporates at high temperatures. There is a risk of burning as the alcohol vapors may catch fire. Use only small quantities of alcohol in foods.

DO NOT store or use corrosive chemicals, vapors, flammables, or nonfood products in or near this appliance. It is specifically designed for use when heating or cooking food. The use of corrosive chemicals while heating or cleaning will damage the appliance and could result in injury.

WARNING

DO NOT leave food or cooking utensils, etc, in oven during the self-cleaning mode of operation. Before self-cleaning the oven (select models), remove the broiler pan, oven racks, and any other utensils, and excess spillage.

WARNING

This appliance should not be installed with a ventilation system that directs air in a downward direction toward the appliance. This type of ventilation system may cause ignition and combustion problems with the appliance resulting in personal injury, property damage, or unintended operation. Ventilating systems that direct the air upwards do not have any restriction.

An air curtain or other overhead range hood, which operates by blowing a downward airflow onto a range, shall not be used in conjunction with a gas range unless the hood and range have been designed and tested in accordance with the Standard for Domestic Gas Ranges, ANSI Z21.1 • CSA 1.1, and listed by an independent testing laboratory for combination use.

IMPORTANT: There is a possibility to discolor the back wall under certain cooking conditions.

DO NOT clean, rub, damage, move or remove the door gasket. It is essential for a good seal during baking. If the gasket becomes worn or excessively soiled with food particles, replace gasket to assure a tight seal.

Protect the self-cleaning feature. Clean only those parts indicated in this booklet. **DO NOT** use commercial oven cleaners or oven liner protective coatings of any kind in or around the self-cleaning oven.

Place oven racks in desired position while oven is cool. If a rack must be moved while the oven is hot, do not let the potholders contact the broiler element.

DO NOT TOUCH HEATING ELEMENTS OR INTERIOR SURFACES OF OVEN – Heating elements may be hot even though they are dark in color. Interior surfaces of an oven become hot enough to cause burns. During and after use, do not touch, or let clothing or other flammable materials contact heating elements or interior surfaces of oven until they have had sufficient time to cool. Other surfaces of the appliance may become hot enough to cause burns - among these surfaces are oven vent openings and surfaces near these openings, oven doors, and windows of oven doors.

WARNING

NEVER cover any slots, holes or passages in the oven bottom or cover an entire rack with materials such as aluminum foil. Doing so blocks air flow through the oven and may cause carbon monoxide poisoning. Aluminum foil linings may also trap heat, causing a fire hazard.

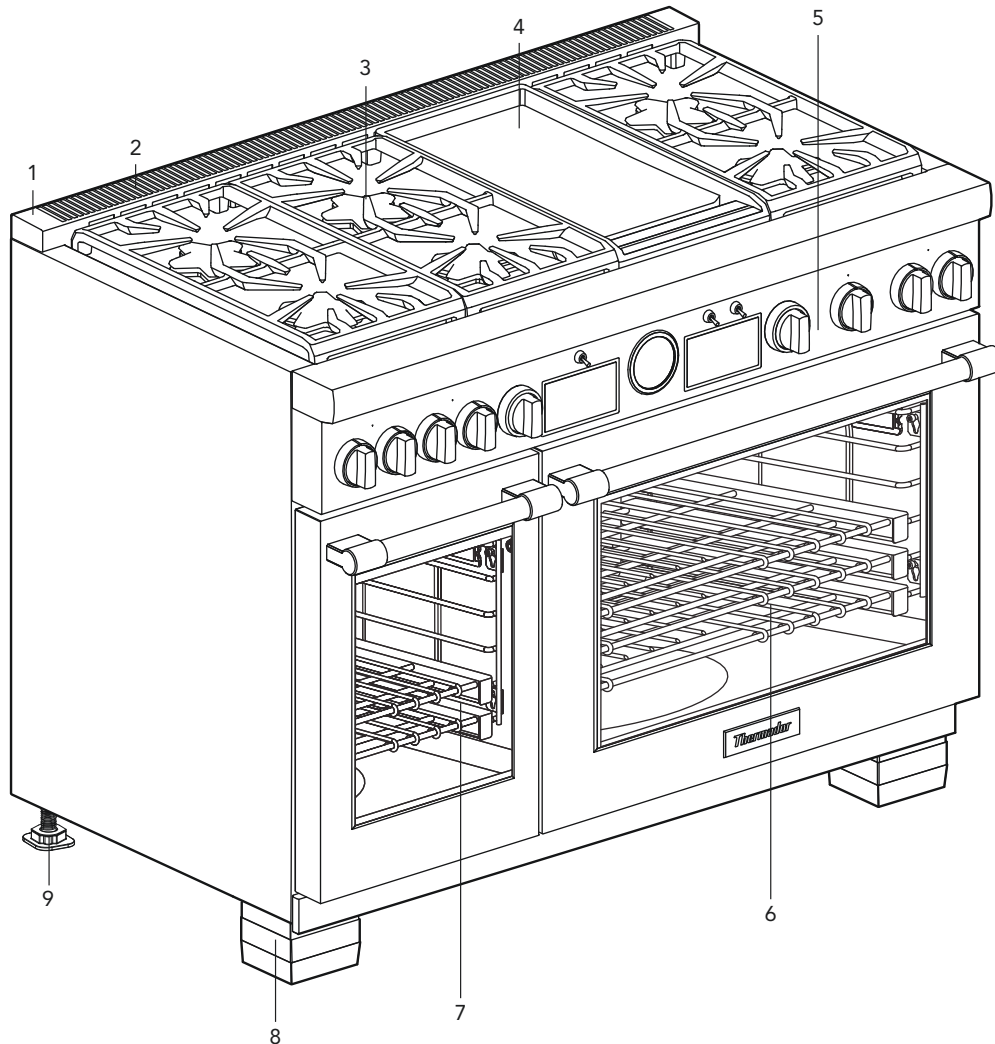
Use care when opening the oven door; let hot air or steam escape before removing or replacing foods.

Please note that some pets or humans can be sensitive to the odors created during the self-cleaning process whether it is a manufacturing residue burn off or food. It is recommended that those potentially affected be removed from the kitchen area during the self-clean process.

Description

Appliance identification

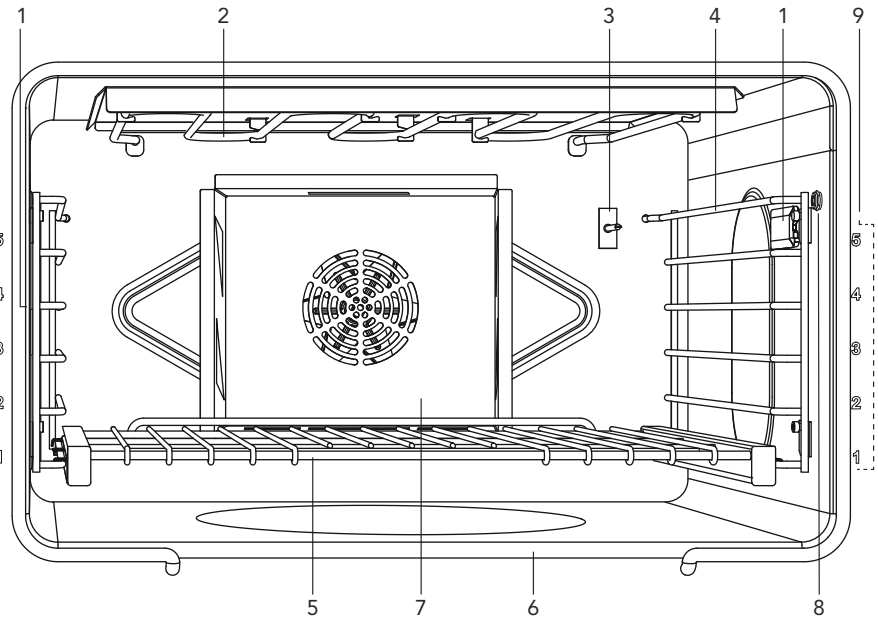
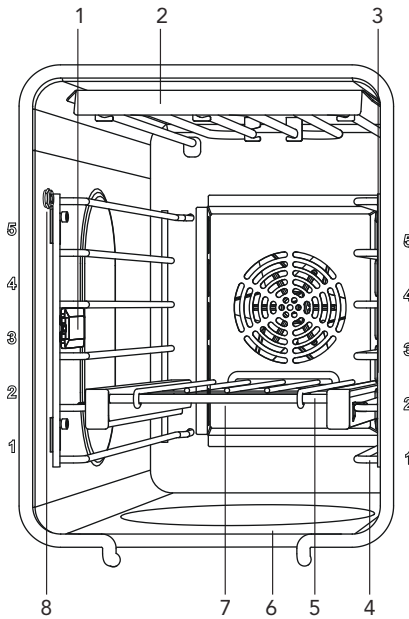
Model shown is 48" with griddle option (features will vary).



- 1 Island trim included or low backguard ordered separately
(See Installation Instructions concerning spacing behind the range when using the range with the island trim.)
- 2 Oven vent (**DO NOT** obstruct!)
- 3 STAR® burners and grates
- 4 Griddle option (options will vary)
- 5 Control panel
- 6 Main oven
- 7 Secondary auxiliary oven (select models)
- 8 Leg covers
(If additional leg covers are required, they may be ordered from the service center by calling 1-800-735-4328 at no charge for up to one year after purchase date of the appliance.)
- 9 Range feet

Oven interior identification

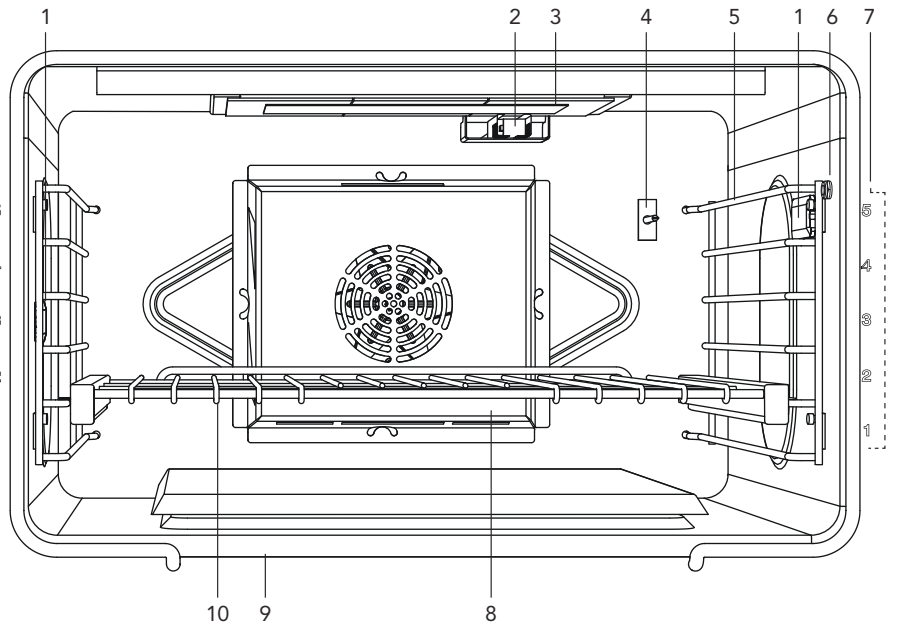
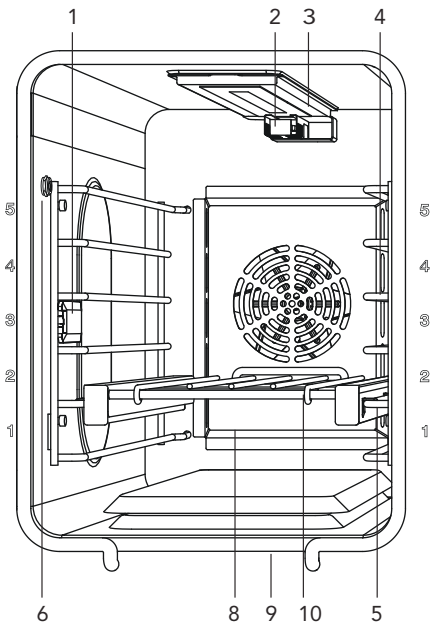
Dual fuel oven(s) interior



- 1 Oven interior light
- 2 Broil element
- 3 Oven thermostat
- 4 Rack guides
- 5 Oven racks

- 6 Bake element (hidden)
- 7 Convection fan cover
- 8 Meat probe outlet
- 9 Rack positions

Gas oven(s) interior

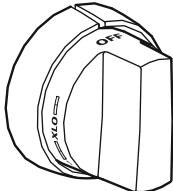
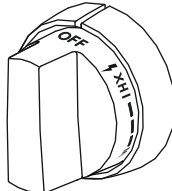
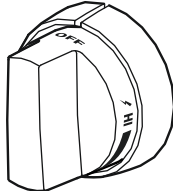
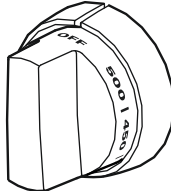
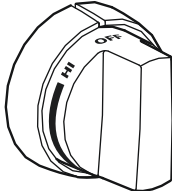
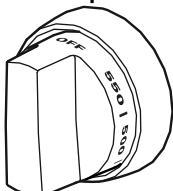
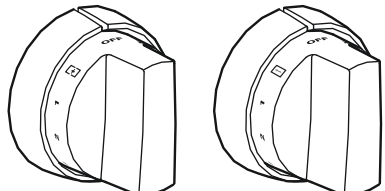
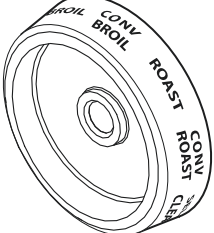



- 1 Oven interior light
- 2 Broil igniter
- 3 Infrared broil burner
- 4 Oven thermostat
- 5 Rack guides

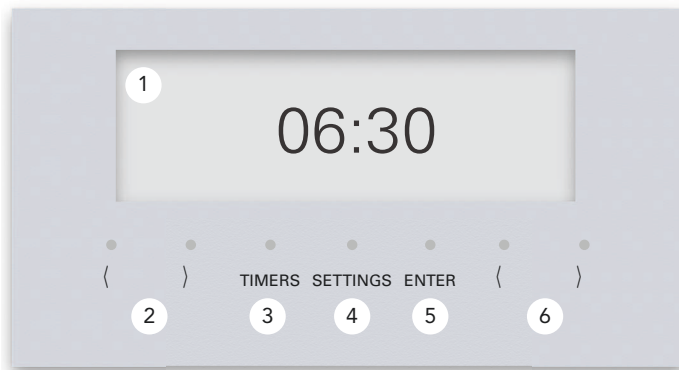
- 6 Meat probe outlet
- 7 Rack positions
- 8 Convection fan cover
- 9 Bake burner (hidden)
- 10 Oven racks

Control panel identification

NOTE: Not all knobs, modes, and features are available to all models.

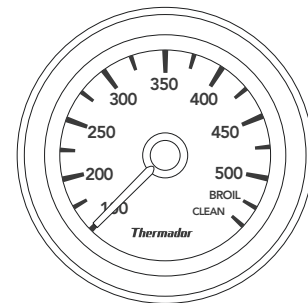
<p>ExtraLow®</p> 	<p>POWERBOOST®</p> 	<p>Standard</p> 	<p>Griddle</p> 	<p>Grill</p> 
<p>Oven temp selector</p> 	<p>Induction</p> 		<p>Mode selector</p> 	<p>Oven light switch</p> 

Oven digital display



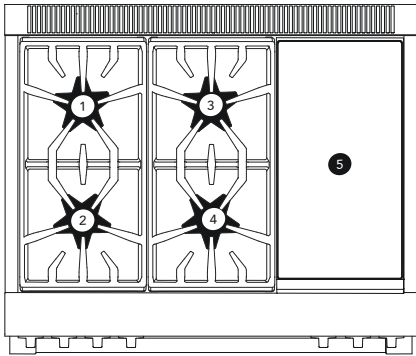
- 1 Digital display screen
- 2 Left navigation buttons
- 3 Access multiple timers
- 4 Access user settings
- 5 Confirm an entry
- 6 Right navigation buttons

Oven temp gauge



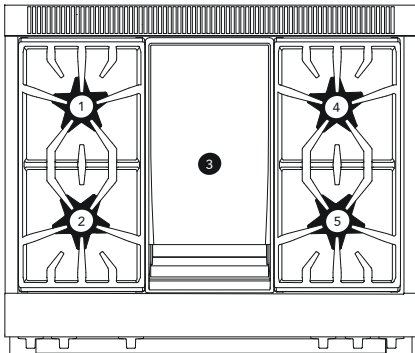
Top surface identification

Model 364 with induction



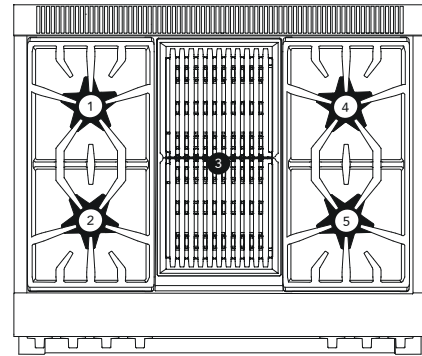
- | | | |
|---|--------------------------------|-----------------------------|
| 1 | ExtraLow burner | Natural 15000, LP 12000 BTU |
| 2 | ExtraLow and PowerBoost burner | Natural 22000, LP 18000 BTU |
| 3 | Standard burner | Natural 15000, LP 12000 BTU |
| 4 | Standard burner | Natural 18000, LP 15000 BTU |
| 5 | Induction | 3,600W |

Model 364 with griddle



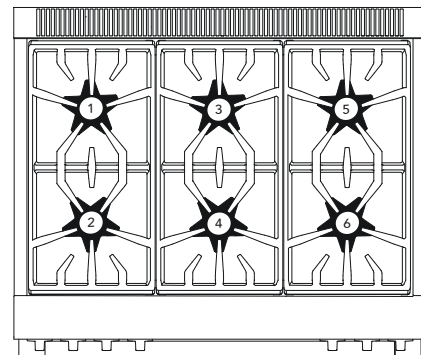
- | | | |
|---|--------------------------------|-----------------------------|
| 1 | ExtraLow burner | Natural 15000, LP 12000 BTU |
| 2 | ExtraLow and PowerBoost burner | Natural 22000, LP 18000 BTU |
| 3 | Griddle | 1,630W |
| 4 | Standard burner | Natural 15000, LP 12000 BTU |
| 5 | Standard burner | Natural 18000, LP 15000 BTU |

Model 364 with grill



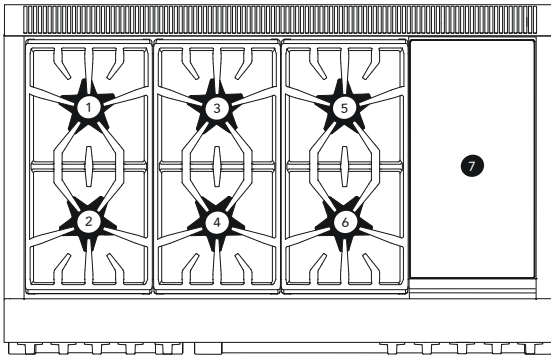
- | | | |
|---|--------------------------------|-----------------------------|
| 1 | ExtraLow burner | Natural 15000, LP 12000 BTU |
| 2 | ExtraLow and PowerBoost burner | Natural 22000, LP 18000 BTU |
| 3 | Grill | 815W x 2 |
| 4 | Standard burner | Natural 15000, LP 12000 BTU |
| 5 | Standard burner | Natural 18000, LP 15000 BTU |

Model 366



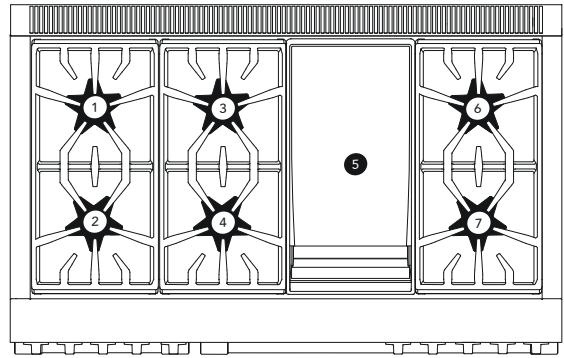
- | | | |
|---|--------------------------------|-----------------------------|
| 1 | ExtraLow burner | Natural 15000, LP 12000 BTU |
| 2 | ExtraLow and PowerBoost burner | Natural 22000, LP 18000 BTU |
| 3 | Standard burner | Natural 15000, LP 12000 BTU |
| 4 | Standard burner | Natural 18000, LP 15000 BTU |
| 5 | Standard burner | Natural 15000, LP 12000 BTU |
| 6 | Standard burner | Natural 18000, LP 15000 BTU |

Model 486 with induction



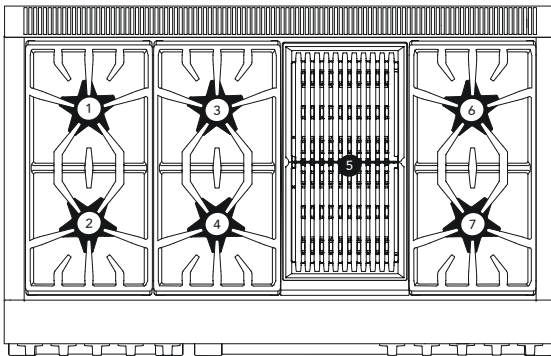
- | | | |
|---|--------------------------------|-----------------------------|
| 1 | ExtraLow burner | Natural 15000, LP 12000 BTU |
| 2 | ExtraLow and PowerBoost burner | Natural 22000, LP 18000 BTU |
| 3 | Standard burner | Natural 15000, LP 12000 BTU |
| 4 | Standard burner | Natural 18000, LP 15000 BTU |
| 5 | Standard burner | Natural 15000, LP 12000 BTU |
| 6 | Standard burner | Natural 18000, LP 15000 BTU |
| 7 | Induction | 3,600W |

Model 486 with griddle



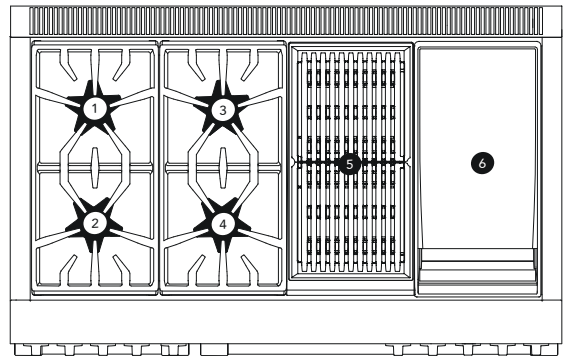
- | | | |
|---|--------------------------------|-----------------------------|
| 1 | ExtraLow burner | Natural 15000, LP 12000 BTU |
| 2 | ExtraLow and PowerBoost burner | Natural 22000, LP 18000 BTU |
| 3 | Standard burner | Natural 15000, LP 12000 BTU |
| 4 | Standard burner | Natural 18000, LP 15000 BTU |
| 5 | Griddle | 1,630W |
| 6 | Standard burner | Natural 15000, LP 12000 BTU |
| 7 | Standard burner | Natural 18000, LP 15000 BTU |

Model 486 with grill



- | | | |
|---|--------------------------------|-----------------------------|
| 1 | ExtraLow [®] burner | Natural 15000, LP 12000 BTU |
| 2 | ExtraLow and PowerBoost burner | Natural 22000, LP 18000 BTU |
| 3 | Standard burner | Natural 15000, LP 12000 BTU |
| 4 | Standard burner | Natural 18000, LP 15000 BTU |
| 5 | Grill | 815W x 2 |
| 6 | Standard burner | Natural 15000, LP 12000 BTU |
| 7 | Standard burner | Natural 18000, LP 15000 BTU |

Model 486 with grill and griddle



- | | | |
|---|--------------------------------|-----------------------------|
| 1 | ExtraLow burner | Natural 15000, LP 12000 BTU |
| 2 | ExtraLow and PowerBoost burner | Natural 22000, LP 18000 BTU |
| 3 | Standard burner | Natural 15000, LP 12000 BTU |
| 4 | Standard burner | Natural 18000, LP 15000 BTU |
| 5 | Grill | 815W x 2 |
| 6 | Griddle | 1,630W |

Before you begin

Getting started

Due to our continuous improvement activities in design and quality improvements, some images may not be representative of the final product.

Data rating label

- Record the model and serial number.
- The model and serial number must be provided when calling customer support for assistance.
- Register your BSH product to ensure timely service and access to your product related information. For product registration information see "Before calling for service".

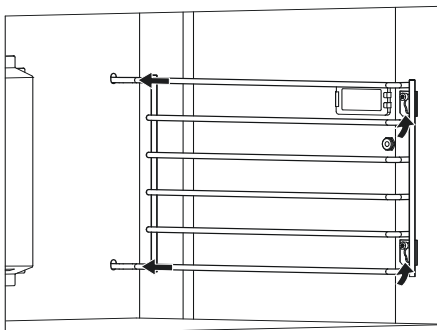
Surface burners

1. Ensure that the burner caps are correctly seated on the burner bases of the range's cooktop (see page 18).
2. Turn on each burner to check for proper flame color (see "Flame description" on page 20 for details).

Oven racks

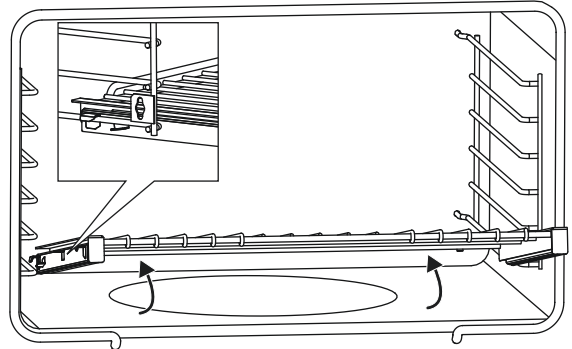
To install rack guides

1. Push the two rails in the holes in the back of the oven cavity.
2. Slide the guide's key slots over the shoulder bolts.
3. At the front of the oven cavity press down on the front of rack guide to clear the heads of the two shoulder bolts.

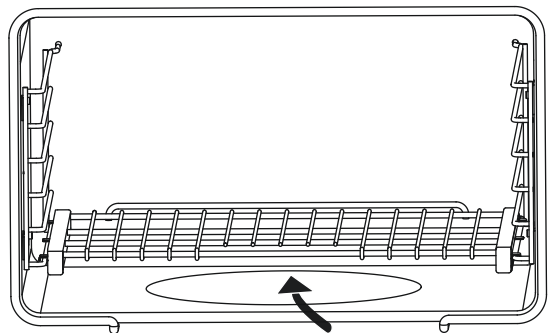


To install Full Access® racks

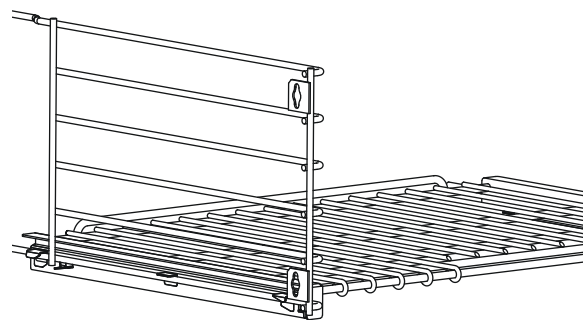
1. Hold the rack on a slight angle and place the safety hooks under the front of the rack guides.



2. Push the rack into the oven, lifting the rack stops over the front of the rack guides.
3. Hold the rack straight.



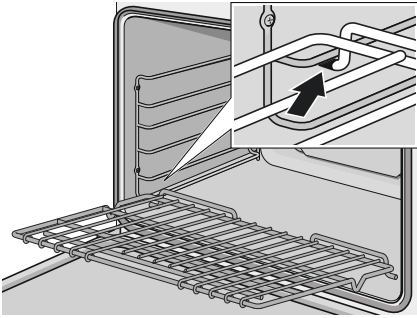
4. Push the rack in completely.
5. Engage the rack's front hooks on the rack guides.



IMPORTANT: When placing the gliding rack in the oven, make sure the front supports on the rack guides rest in the large slots at the front corners of the rack. This is necessary to keep the rack in the correct position while fully inserted into the oven.

To install flat racks

1. Grasp rack firmly on both sides and insert rack.
2. Tilt rack up to allow stop into rack guide.



Oven operation

⚠ WARNING

To help prevent burns, never remove or reposition the oven racks while the oven is ON or while the oven is cooling.

Positioning the oven racks

- The correct rack position depends on the recipe and the cooking mode.
- The rack positions are numbered from the bottom of the oven, like an elevator.
- Rack position 3 is the most frequently used position.
- Place rack(s) in the proper position before turning on the oven.

Initial start-up

IMPORTANT: ALWAYS remove the oven racks before self-cleaning the oven. If the gliding racks remain in the oven during self-clean, lubricants in the glide mechanisms of each rack will be lost and the finish will discolor.

The range occasionally has an odor or smoke when first used. These odors or smoke comes from the burning off of manufacturing residues and is typical of any new oven regardless of manufacturer.

Before baking or broiling, the oven and broiler should be turned on to burn off the manufacturing oils using one of the two following methods:

1. Turn on kitchen ventilation (or if vent hood is a recirculation type open a window).
2. Turn the oven on to 450°F (230°C) for 20 to 30 minutes; then turn the broiler to broil for the same length of time.

or

1. Turn on kitchen ventilation (or if vent hood is a recirculation type open a window).
2. Remove oven racks.
3. Set oven to self-clean (select models).

Automatic operation of the cooling fan

The cooling fan runs during all cooking modes. The fan can be heard when it is running, and warm air may be felt as it is released from the oven vent. The fan may also run after the oven is off.

Oven vent

The oven vent is located at the back of the unit. Warm air may be released from the vent before, during and after cooking. It is normal to see steam escaping from the vent, and condensation may collect in this area. This area may be warm when the oven is in use. Do not block the vent, since it is important for air circulation.

Convection fan

The convection fan operates during all convection modes. When the oven is operating in a convection mode, the fan turns off automatically when the door is opened. The convection fan may also run during self-clean.

Using the rangetop

Sealed STAR[®] burners

⚠ WARNING

To prevent flare-ups and avoid the creation of harmful by-products, do not use the rangetop without all burner caps and all burner grates properly positioned.

⚠ WARNING

To prevent burns, do not touch burner caps or grates while hot. Turn the rangetop off and allow the burners to cool.

Burner cap placement

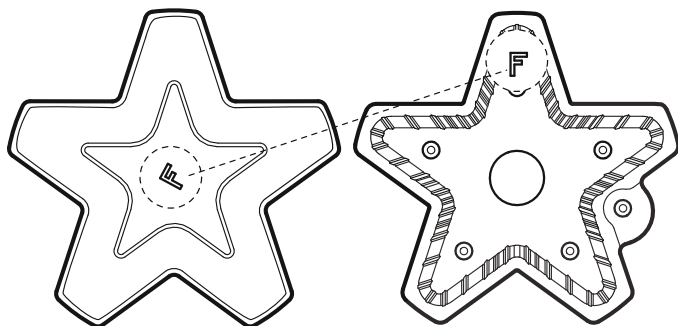
The burner caps must be properly placed on the burner bases for the cooktop to function properly. If the burner cap is not properly placed, one or more of the following problems may occur:

- Burner flames are too high.
- Flames shoot out of burners.
- Burners do not ignite.
- Burner flames light unevenly.
- Burner emits gas odor.

Each cap has a letter (B, D, or F) cast in the underside of the cap that corresponds to a letter (B, D, or F) cast in the burner base that is attached to the appliance.

To place the burner caps

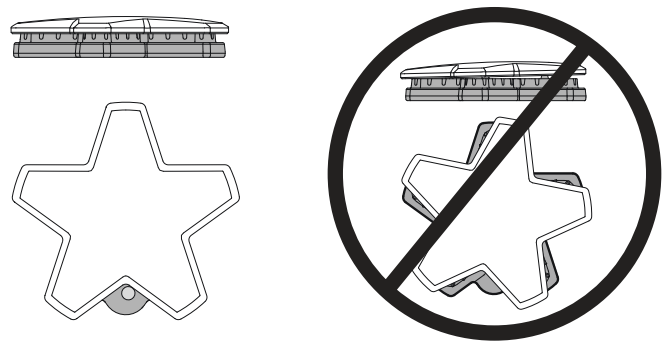
1. Place each burner cap on its correct burner base per its corresponding letter designation.



2. Place burner cap gently on top of base so that the prongs of the burner base fit snugly into the groove of the burner cap.

Checking the burner cap placement

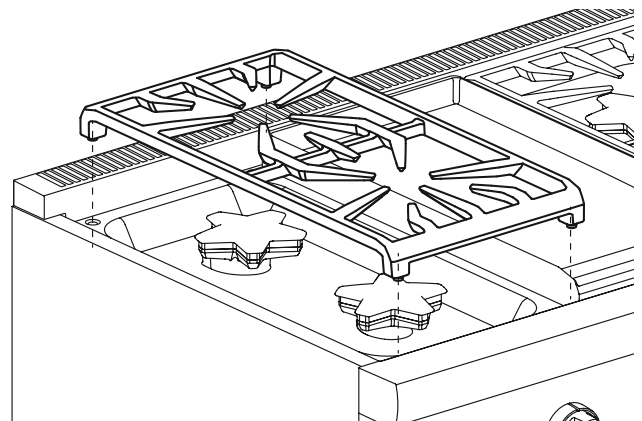
- Check each burner to make sure there is no gap between the burner cap and burner base.
- You may gently try to move the burner caps from side to side to check if the caps are properly placed on the burner bases.
- When properly placed, each burner cap will rest flat on top of its burner base, and completely cover the star-shape of the burner base when viewed from the top as shown below.



Burner grate placement

To install the burner grates

1. Place grates flat-side down and align into the rangetop recess.
2. Grates should rest flush against each other and against the sides of the recess.



Control knobs

The control knobs for two sealed gas burners, one in front and one in the rear, are located directly in front of and below the pair of burners on the control panel.

Operation of the burners

To turn on the burners

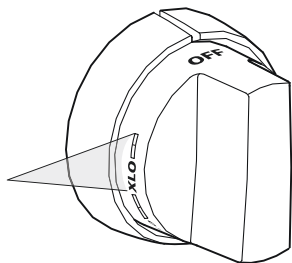
1. Press in on the knob and turn it counter-clockwise **HI**.
 - The igniter for the selected burner clicks and sparks.
 - After burner ignition, the igniter stops clicking.
2. Rotate the knob to any flame setting between **HI** and **LO**.

LED panel light (select models)

Positioned below the bullnose, the LED panel light provides task lighting with a theatrical ambience.

The panel light toggle switch on the control panel turns the light on and off.

ExtraLow® burners



The drawing shows that the control knob has an additional range after the XLO setting. When the knob is set within this range, the flame cycles off and on.

By varying the length of time the flame is off and on, the heat is reduced even further to cook delicate foods. For example, these very low settings are suitable for simmering and poaching, melting chocolate and butter, holding cooked foods at temperatures without scorching or burning, etc.

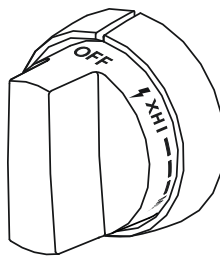
Operation of the ExtraLow® burners

- XLO, the very lowest setting, is achieved by cycling the flame on for approximately 10 seconds and off for 50 seconds of each minute.
- When the knob is set just below the XLO setting, the flame will cycle on for approximately 50 seconds and off for 10 seconds of each minute.
- To vary the amount of low heat to suit the food and quantity, the control can be set anywhere within the XLO range marked on the knob.

ExtraLow® techniques

- To maintain a low or simmer heat, bring food to a rolling boil. Stir well, then cover the pan and lower the heat to a setting just below XLO.
- If a large pan is used, the simmer action may occur mainly in the center of the pan. To equalize the temperature throughout the food, stir the food around the outer edges of the pan into the food in the center.
- It is normal to stir food occasionally while simmering. This is especially important when simmering for several hours, such as for a homemade spaghetti sauce or beans.
- If the setting is too low to hold a simmer, bring the food back to a boil before re-setting to a higher heat.

POWERBOOST® (select models)



The POWERBOOST, or XHI, offers the convenience to quickly boil water, sear steaks, stir-fry vegetables, etc. Use of the LO and XLO remains the same as the other XLO knobs.

Automatic re-ignition

▲ CAUTION

DO NOT touch the burners when the igniters are sparking.

Each burner has its own electronic igniter that sparks when the burner is turned on. Each burner should light in four seconds or less. If a burner does not light, check to see that the cap is positioned correctly on the base.

If any one or more burners blow out, the electronic igniter automatically activates to re-light the flame. Do not touch the burners when the igniters are active.

IMPORTANT

- For proper combustion do not use the rangetop without the burner grates in place.
- There is a slight sound associated with gas combustion and ignition. This is a normal condition.
- On rangetops using propane gas (LP), a slight “pop” sound may be heard at the burner ports a few seconds after the burner has been turned off.

Power failure

▲ WARNING

In the event of a power failure, turn all knobs to the OFF position. Only the standard burners can be lit manually.

- In the event of a power failure, only the standard burners can be manually lit. It is necessary to light each one individually.
- If the rangetop is being used when the power failure occurs, turn all knobs to the OFF position.
- The standard burners can be lit by holding a match at the ports and turning the control knob to the HI position. Wait until the flame is burning all around the burner cap before adjusting the flame to the desired height.
- The burners with the ExtraLow[®] feature cannot be used during a power failure. Be sure to turn them off.
- If a burner with ExtraLow is on when a power failure occurs, it cannot be turned back on until the knob is first turned off.
- If you smell gas, refer to safety precautions listed in the Safety chapter.

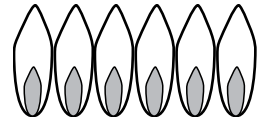
Flame height

- The correct flame height depends on 1) size and material of pan being used; 2) food being cooked; and 3) amount of liquid in the pan.
- Never extend the flame beyond the base of the pan.
- Use a low or medium flame for pan materials that conduct the heat slowly, such as porcelain coated steel or glass-ceramic.

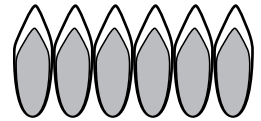
Flame description

Flame characteristics

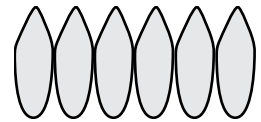
Yellow flames:
Further adjustment is required.



Yellow tips on outer cones:
Normal for LP Gas



Soft blue flames:
Normal for natural gas



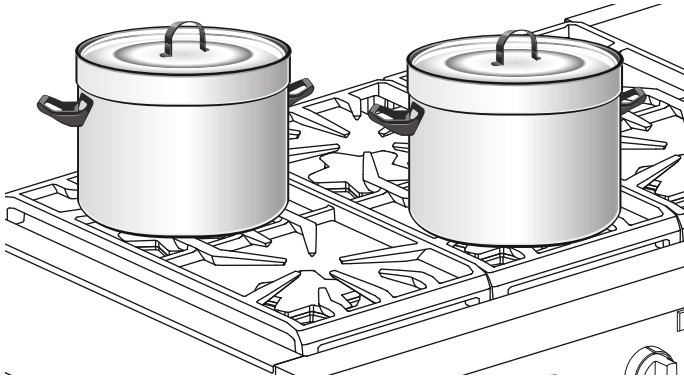
- If the flame is completely or mostly yellow, verify that the regulator is set for the correct fuel. After adjustment, retest.
- Some orange-colored streaking is normal during the initial start-up.
- The burner flame color should be blue with no yellow on the tips. It is not uncommon to see orange in the flame color; this indicates the burning of airborne impurities in the gas and will disappear with use.
- With propane (LP) gas, slight yellow tips on the primary cone are normal.
- The flame should burn completely around the burner cap. If it doesn't, check that the cap is positioned correctly on the base and that the ports are not blocked.
- The flame should be stable with no excessive noise or fluttering.

Cookware recommendations

⚠ WARNING

To avoid risk of serious injury, damage to appliance or cookware, please observe the following:

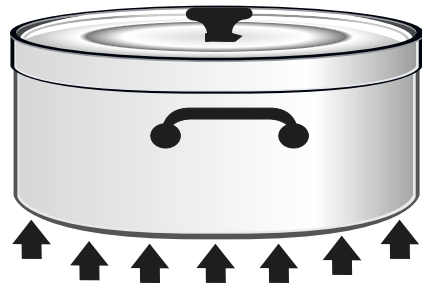
- Bakeware, such as large casserole pans, cookie sheets, etc. should never be used on the rangetop.
- Placement of large stock pots should be staggered when used on the rangetop.



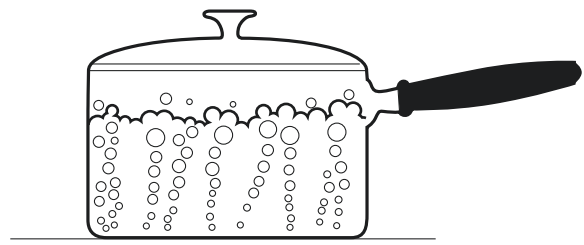
- Select the base diameter to match the diameter of the flame. The diameter of the flame should be the same size as the pan base or slightly smaller. Oversize or under size pans sacrifice cooking performance. A 5½" (140 mm) base size is generally the smallest recommended.
- Avoid using high flame setting with a pan larger than the grate or with one that spans more than one burner, such as a griddle, for prolonged periods of time. This can result in poor combustion that generates harmful by-products.
- Balance is important for stability and even cooking. The handle must not be heavier than the pan and tilt it unevenly. A pan must sit level on the grate without rocking or wobbling.



- Food packaged in aluminum foil should not be placed directly on the burner grate. Aluminum foil can melt during cooking.
- **DO NOT** let plastic, paper, or cloth come in contact with a hot burner grate. They may melt or catch fire.
- Professional quality pans with metal handles are recommended because plastic handles can melt or blister if the flame extends up the side of the pan.
- All cookware should have these characteristics: good heat conductivity, good balance, correctly sized base diameter, a heavy, flat base, and a proper fitting lid.
- For best cooking results, the flame should be contained under the bottom of the pan.
- Aluminum and copper are pan materials that conduct the heat quickly and evenly. These metals are sometimes attached to the base or in the core between stainless steel.
- A heavy, flat base is more apt to remain flat when heated. Pan bases that are warped, dented, ridged or too lightweight will heat unevenly. Heat and cool pans gradually to avoid sudden temperature changes which tend to distort cookware. **DO NOT** add cold water to a hot pan.



- A properly fitting lid will shorten cooking time and make it possible to use lower heat settings.



Specialty cookware

Woks

- Either flat-based or round-bottom woks with the accessory ring can be used on all models. Round bottom woks must be used with a support ring.
- The wok pan and the porcelain-coated cast iron wok support ring must be purchased separately.

Canners and stock pots

- Select one with a base diameter that extends no more than 2" (51 mm) beyond the grate.

Standard size water bath canner

- 21 to 22 quarts (19.95 to 20.9 liters), with an 11" to 12" base (279 – 305 mm) and a 9" to 11" depth (229 – 279 mm).

Standard size pressure canner

- 8 to 22 quarts (7.6 to 20.9 liters), with an 8" to 11" base (203 – 279 mm) and a 6½" to 12" depth (165 – 305 mm).

Canning tips

- A flat base pan is preferred to one with a concave, convex or rippled base.
- When using two canners at the same time, use staggered burners. **DO NOT** block air to the burners. A flame needs the right amount of air for complete combustion.
- Use a cover on the canner when bringing the contents to a boil.
- Once the contents have reached a boil on HI, use the lowest flame possible to maintain the boil or pressure.
- Canning produces a large amount of steam. Take precautions to prevent burns.

Suggestions for using the surface burner cooking recommendations

- Use the chart beginning on page 23 as a guide. The settings you use will vary depending on the pans selected and the starting temperature of the food.
- On the chart, the "Finish setting" has been separated for the standard and ExtraLow[®] burners. There may or may not be a change between the two burner settings.
- The ExtraLow setting can be either a cooking or a holding setting.
- Raise or lower the flame setting gradually. Allow time for the pan and the food to adjust to the new setting.

Surface burner cooking recommendations

Food	Start setting	Finish setting standard burners	Finish setting XLO® burners
Beverages Cocoa	MED – heat milk, cover	LO – finish heating	XLO – keep warm, cover
Breads French toast, pancakes, grilled sandwiches	MED – preheat skillet	LO to MED – cook	Same as for standard burners
Butter Melting	LO – to start melting		Allow 5 – 10 minutes to melt
Cereals Cornmeal, grits, oatmeal	HI – cover, bring water to a boil, add cereal	LO to MED – finish cooking according to package directions	Same as for standard burners XLO – to hold, cover
Chocolate Melting	XLO – may be stirred to hasten melting		XLO – allow 10 – 15 minutes to melt XLO – to hold
Desserts Candy	LO to MED – cook following recipe	LO to MED	Same as for standard burners
Pudding and pie filling mix	LO to MED LO – cook according to package directions	LO	Same as for standard burners
Pudding	LO to MED LO – bring milk to a boil	LO	Same as for standard Burners
Eggs Cooked in shell	MED HI – cover eggs with water, add lid, bring to boil		
Fried, scrambled	LO to MED – melt butter, add eggs	LO finish cooking	Same as for standard burners XLO – to hold for a short period
Poached	HI – bring water to the boiling point, add eggs	LO to MED – finish heating	Same as for standard burners
Meat, fish, poultry bacon, sausage patties	MED HI – until meat starts to sizzle	LO to MED – finish cooking	Same as for standard burners
Braising: Swiss steak, pot roast, stew meat	MED HI – melt fat, then brown on MED HI, add liquid, cover		XLO – Simmer until tender
Quick frying: Breakfast steaks	MED HI – preheat skillet	MED HI – fry quickly	Same as for standard burners
Frying: Chicken	MED HI – heat oil, then brown on MED	LO – cover, finish cooking	Same as for standard burners
Deep frying: Shrimp	MED HI – heat oil	MED to MED HI – to maintain temperature	Same as for standard burners
Pan frying: Lamb chops, thin steaks, hamburgers, link sausage	MED HI – preheat skillet	MED – brown meat	Same as for standard burners XLO – to hold
Poaching: Chicken, whole or pieces, fish	MED HI – Cover, bring liquids to a boil		To finish cooking

Food	Start setting	Finish setting standard burners	Finish setting XLO® burners
Simmering: Stewed chicken, corned beef, tongue, etc.	HI – cover, bring liquid to a boil		XLO – to simmer slowly XLO – to hold, cover
Pastas Macaroni, noodles, spaghetti	HI – bring water to a boil, add pasta	MED HI to HI – to maintain a rolling boil	Same as for standard burners
Popcorn (use a heavy, flat bottom pan)	HI – cover, heat until kernels start to pop	MED HI – finish popping	Same as for standard burners
Pressure cooker Meat	MED HI to HI – build up pressure	LO to MED – maintain pressure	Same as for standard burners
Vegetables	HI – build up pressure	LO to MED – maintain pressure	Same as for standard burners
Rice	HI – cover, bring water and rice to a boil	LO – to maintain Low Boil. Cover and cook until water is absorbed	Same as for standard burners XLO – to hold, cover
Sauces Tomato base	MED HI – cook meat/vegetables, follow recipe	LO – to maintain simmer	XLO – simmer to thicken sauce, uncovered
White cream, béarnaise	MED – melt fat, follow recipe	LO – finish cooking	XLO – to hold, cover
Hollandaise	XLO		XLO – to hold, lowest setting for short period, stir frequently
Soups, stock	HI – cover, bring liquid to a boil	LO to maintain simmer	Simmer XLO – to hold, cover
Vegetables Fresh	HI – cover, bring water and vegetables to a boil	LO to MED – cook 10 minutes, or until tender	Same as for standard burners XLO – to hold, cover
Frozen	HI – cover, bring water and vegetables to a boil	LO to MED – cook according to package directions	Same as for standard burners
Deep frying	HI – heat oil	MED to MED HI – maintain frying temperature	Same as for standard burners
In pouch	HI – bring water and pouch to a boil	LO to MED – cook according to package directions	Same as for standard burners
Sauté	HI – heat oil or melt butter, add vegetables	LO to MED – cook to desired doneness	Same as for standard burners
Stir fry	HI – heat oil, add vegetables	HI to MED HI – finish cooking	Same as for standard burners

Electric griddle

Description

⚠ CAUTION

The griddle element is hot after use. Allow sufficient time for griddle components to cool before cleaning.

⚠ WARNING

To avoid risk of injury, never operate the griddle without the griddle plate installed. Never use the griddle in a manner that is not prescribed by the Use and Care Guide.

NOTE: Not available on all models.

Griddle widths vary.

A maple chopping block and stainless steel cover are available as accessories and are purchased separately. The maple chopping block and stainless steel cover must be removed before turning the griddle on.

The griddle plate must always be in place when the griddle is turned on.

The griddle is electronically controlled with temperatures marked on the knob from 150° – 500°F (66° – 260°C). There are no fixed settings on the knob.

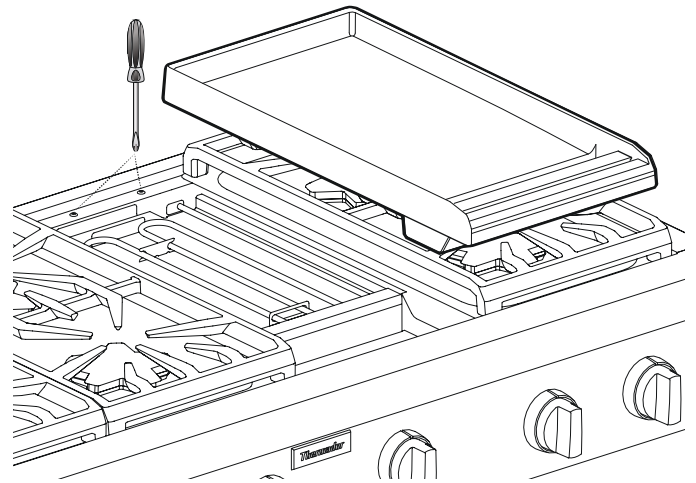
The 24" griddle models have two heating elements that can be regulated separately; one element for the left side of the griddle and another for the right side. This allows you to cook food with different temperature requirements at the same time.

Preparing the griddle

To prepare the griddle

1. The griddle plate should be washed with warm soapy water then rinsed with clear water prior to use.
2. Check the griddle plate adjustment by pouring two tablespoons of water on the back of the griddle plate.
-- The water should slowly roll into the grease tray.
3. If water does not flow to the front of the griddle, move the griddle plate to the side.

4. Adjust the two screws under the back of the plate. Start with one half turn counterclockwise of the screws (below).



5. Further adjustment should be made by one-quarter turn until water slowly flows into the grease tray.

The griddle may be used without any butter, margarine or oil. However, a very small amount may be used to flavor foods.

DO NOT use metal utensils on the griddle surface. Care should be taken that the surface is not gouged when utensils are used. **DO NOT** cut directly on the griddle plate.

NOTICE: Performance may vary if there is an excessive amount of airflow in the vicinity of the appliance. The excessive airflow could be from an air-conditioning register or ceiling fan blowing at the rangetop. This could create longer than normal heat-up time, or it could cause the temperature to be higher or lower than the knob setting.

NOTE: Having a properly installed ventilation hood is not considered a source of excessive airflow.

Cooking on the griddle

To cook on the griddle

1. Press and turn the knob clockwise to the appropriate cooking temperature to preheat the griddle.
2. Preheat the griddle.
3. Add butter, margarine, oil or shortening if desired.

Use the lowest cooking temperature possible. Recipes may need to be modified as the non-stick coating browns and sears at lower temperatures.

12" griddle cooking recommendations

Food *	Setting
Eggs	325° – 350°F
Bacon, breakfast sausage	450° – 475°F
Toasted sandwiches	375° – 400°F
Boneless chicken breasts	425° – 450°F
Boneless pork chops, 1" (25.4 mm)	425° – 450°F
Steaks, 1" (25.4 mm) thick	450° – 475°F
Ground beef patties, 6 oz.	450° – 475°F
Ground turkey patties, 6 oz.	450° – 475°F
Hot dogs	350° – 375°F
Ham slices, ½" (12.7 mm) thick	350° – 375°F
Pancakes, French toast	400° – 425°F
Potatoes, hashbrowns	400° – 425°F

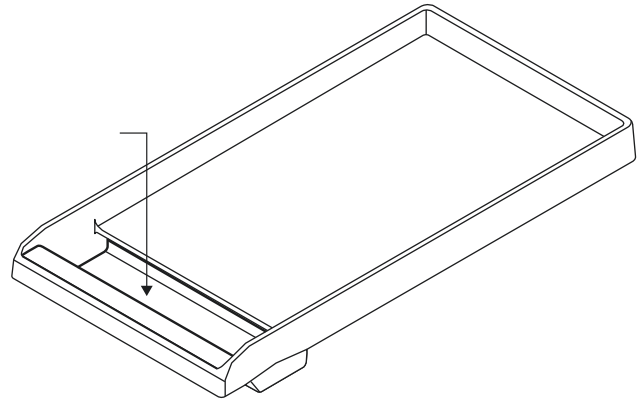
* Level foods to a uniform thickness to ensure even cooking.

24" griddle cooking recommendations

Food *	Setting
Eggs	275° – 300°F
Bacon, breakfast sausage	400° – 450°F
Toasted sandwiches	350° – 375°F
Boneless chicken breasts	400° – 425°F
Boneless pork chops, 1" (25.4 mm)	400° – 425°F
Steaks, 1" (25.4 mm)	425° – 450°F
Ground beef patties, 6 oz.	400° – 425°F
Ground turkey patties, 6 oz.	400° – 425°F
Hot dogs	300° – 350°F
Ham slices, ½" (12.7 mm) thick	350° – 375°F
Pancakes, French toast	350° – 375°F
Potatoes, hashbrowns	400° – 425°F

* Level foods to a uniform thickness to ensure even cooking.

Griddle grease tray



- Clean the tray after every use. When removing the tray, use care when tipping it so that the contents do not spill.
- The grease tray is dishwasher safe.
- After cooling, pour the grease into a grease-resistant container for disposal.

Care and cleaning the griddle plate

- **NEVER** flood a hot griddle plate with cold water. This can damage the griddle plate.
- **DO NOT** clean the griddle plate in a self-cleaning oven.
- **DO NOT** heat cookware on the griddle surface.
- Care should be taken to avoid scratching or gouging the surface.
 - **DO NOT** cut food directly on the griddle plate.
 - **DO NOT** use metal utensils.
 - Use plastic or wood utensils to avoid scratching the non-stick surface.
- The griddle plate is dishwasher safe, however, hand washing the griddle plate is recommended.

Seasoning the griddle plate

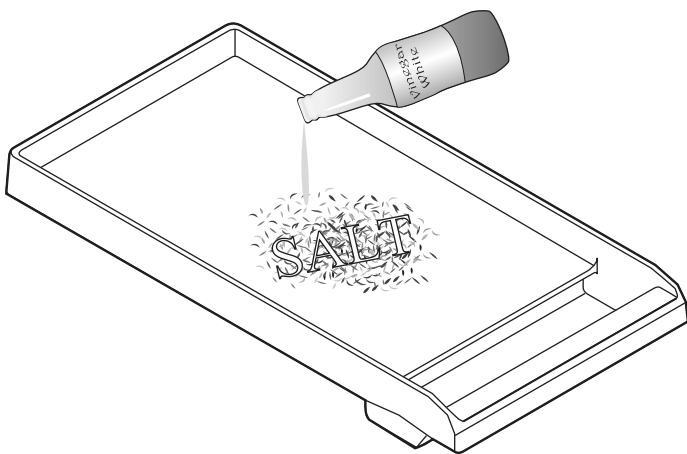
If the griddle plate seems to lose its non-stick abilities over time, the following instructions should help regain the griddle's non-stick properties. For optimal performance and long life of your griddle plate, follow these simple cleaning and seasoning instructions.

NOTE: 24" griddles will not fit in the oven cavity for seasoning. Therefore, care should be taken not to overheat and damage their non-stick coatings while preheating and cooking.

To prepare the griddle for seasoning

The griddle plate must be clean and all residue removed before the griddle plate is seasoned.

1. Use a mixture of coarse salt and a small amount of white vinegar to buff off any residue from the griddle plate.

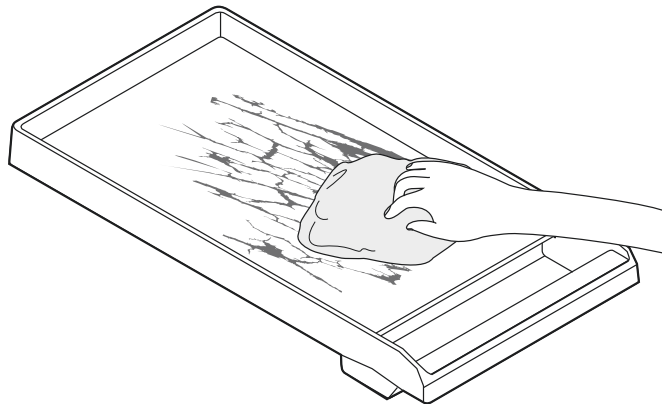


2. Rinse well with clean water.
3. Dry the griddle plate thoroughly.

To season the griddle

Seasoning is a process by which a layer of animal fat or vegetable oil is applied and baked into the cookware. The seasoning layer provides a non-stick surface for cooking.

1. Use a paper towel to apply a thin, even coating of lard, shortening, or olive oil to the griddle surface.



2. Bake the griddle plate in a 350°F oven for 1 hour.
3. Remove the griddle plate from the oven and allow to cool to room temperature.
4. Apply a second layer of fat or oil and bake at 350°F for 1 hour.
5. Repeat process at least one additional time – making 3 coats of oil or fat.

After seasoning

1. After cooking on your seasoned griddle, allow to cool and wipe clean with a damp cloth. Allow to dry.
2. Add a thin coating of oil or fat before storing your griddle in a cool, dry place.
3. Repeating this process will season the griddle and maintain non-stick properties. Performance will improve over time with more seasoning.
4. To strip the griddle to re-season, a mixture of salt and vinegar should be used to remove any oil layers from the previous seasoning process.

Electric grill

Description

⚠ WARNING

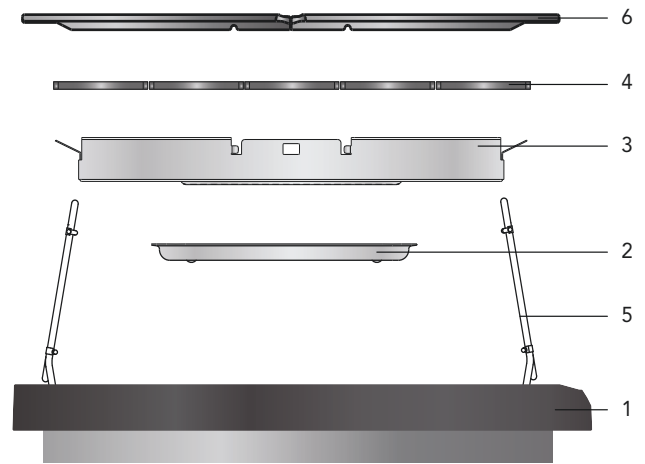
- To avoid risk of injury, **NEVER** operate grill without the grates or griddle plate accessory installed.
- **NEVER** leave grill unattended while cooking.
- Observe caution with oils and fats. Overheated oils and fats can easily cause fires.
- **DO NOT** use wood chips, lava rocks, or charcoal briquettes. Only use recommended ceramic briquettes (PABRICKBKN).
- **DO NOT** use dishes, pans, pots, or other cookware on the grill.
- **NEVER** use aluminum foil to cover the grates or to line the grill. It can damage the grill and cause a fire hazard if heat is trapped under it.
- Check drip tray before each use. Too much grease in the tray may cause a fire hazard.
- If flames appear, grease should be cleaned from grates, drip tray, briquette basket and other surfaces.
- Grease build up encourages flame and smoke development while cooking.
- Ceramic briquettes must be replaced when they begin to turn black. This means that they are saturated with fat and may smoke heavily during operation or the fat may catch fire.

NOTE: Not available on all models.

The built-in grill is made of restaurant-quality cast iron grates. This produces a surface with even heat that is easy to clean.

A non-stick cast iron griddle plate is available as an accessory and may be purchased separately. See the instructions that come with the griddle plate accessory for more details.

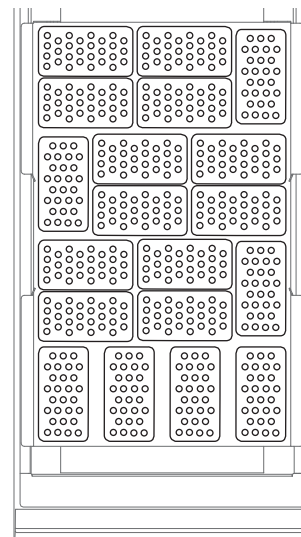
Assembling the grill



- 1 Grill housing
- 2 Drip tray
- 3 Briquette basket
- 4 Ceramic briquettes
- 5 Heating element (x2)
- 6 Grill grate (x2)

To assemble the grill

1. Rotate heating elements (5) up and remove the briquette basket (3) stored inside the grill housing (1).
2. Place the drip tray (2) in the bottom of the grill housing (1). (Drip tray is packaged in the large cardboard box that was on top of the appliance.) Align the embosses of the drip tray (2) with the depressions on the bottom of the grill housing (1).
3. Place the briquette basket (3) in the grill housing (1).
4. Arrange the ceramic briquettes (4) on the briquette basket (3), in a single layer. The ceramic briquettes should not contact the heating elements.



5. Fold both grill heating elements (5) down. The grill heating elements must lie flat. Supports should rest inside of side notches.
6. Install the grill grates (6). Ensure grates are seated level inside the grill housing (1).

Operating the grill

▲ WARNING

TO AVOID RISK OF BURNS:

- Use proper utensils with long handles that allow the chef plenty of clearance from the heat and potential flare ups.
- **DO NOT** wear loose clothing while cooking.
- Never leave grill unattended while cooking.
- After each use, remove grease buildup from the grill surfaces and the trays below the grill to avoid risk of fire. Ventilation hoods should also be cleaned periodically as needed and as recommended by the Use and Care Guide as well as surrounding surfaces.
- Keep a fire extinguisher nearby and accessible.

▲ CAUTION

Clean the grill after each use. Allow the appliance to cool before cleaning.

IMPORTANT:

- If flames appear while grilling, turn off heat and remove the food. Use caution to avoid any potential injury while removing food.
- Often, such flames will extinguish themselves within a few minutes once grease drippings have burned up. **DO NOT** leave the grill unattended until all flames are extinguished. If desired, flames can be extinguished by generously shaking baking soda or salt over them to smother the fire.
- If flames appear, ceramic briquettes should be replaced and grease should be cleaned from grates, grease tray, briquette basket, and other surfaces before using the grill again. Built up grease which is allowed to remain encourages flame and smoke development while cooking.
- Moist food should be dried, before placing on grill.
- Marinated food may cause more smoke to be produced!
- During grilling, dripping fat may flare up briefly.

To operate the grill

1. Start overhead ventilation system 10 minutes prior to grilling to begin air movement.
2. The grill grates should be washed with warm soapy water then rinsed with clear water prior to use.
3. Before turning on, make sure that there are ceramic briquettes in the appliance and both grill grates are correctly fitted.
4. Press and turn the knob to the desired temperature setting.
 - The two grill heating elements can be regulated separately. This allows you to grill food with different temperature requirements at the same time, or you can use one area to grill and the other to keep warm.
5. During the initial use, heat the grill for about 10 minutes to eliminate manufacturing residues and smells.
6. For best results, allow the grill grates to preheat before placing food on them.

Grilling tips

- The grill should be preheated a minimum of 10 minutes before cooking. Depending on browning preference and the types of food being prepared, as much as 15 minutes of preheat time may be required.
- Soak wooden skewers in water a minimum 20 minutes before placing on the grill.
- Prior to grilling, you can coat the food with heat-resistant oil (e.g. peanut oil) or marinate it. Make sure not to use too much oil/marinade, as otherwise it may catch fire and generate thick smoke.
- Lay the food directly on the grill grates. **DO NOT** use aluminum foil or grill trays.
- Cured meat, such as ham or smoked pork chops, is not suitable for grilling. Unhealthy chemical compounds may form.
- To prevent flare-ups, remove excess fat from foods prior to grilling.
- **DO NOT** use cleaners on the heating elements. Allow grease to burn off the heating elements.
- To soak up fat on the grill plate, sprinkle coarse salt onto the grilling surface after use.

Grill cooking recommendations

IMPORTANT:

- **GRILL SHOULD NOT BE OPERATED WITHOUT PROPER VENTILATION.**
- Foods with excessive fat or grease should not be prepared on an indoor grill. Grilling foods with high fat content (certain types of ground beef, sausage, etc) increases the chances of smoke and flames.







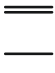






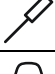
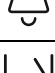
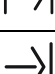

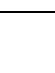
Food*	Setting**	Cook time (minutes)	Notes
Beef			
Hamburgers, ¾" (2 cm) (medium)	High	12 – 14	Ready to turn once juices appear on the surface.
T-Bone steak, 1½" (4 cm) (medium)	High	20 – 22	Remove excess fat.
Ribeye or sirloin, 1" (3 cm) (medium)	High	10 – 12	Remove excess fat.
Kebabs, steak (medium)	High	24 – 28	Turn occasionally.
Pork			
Pork chops, ¾" (2 cm)	High	16 – 20	Remove excess fat.
Sausages or bratwurst	Med high	16 – 20	Pierce before grilling.
Hot dogs	High	6 – 8	Place on grill horizontally.
Poultry			
Legs and thighs	Med high	34 – 38	Turn occasionally, remove excess skin.
Chicken wings, whole	Med high	18 – 22	Turn occasionally.
Chicken breasts, ½" (1 cm), boneless	Med high	20 – 24	Pound to an even thickness before cooking.
Kebabs, chicken	High	30 – 33	Turn occasionally.
Seafood			
Fish steak, 2" (6 cm)	Med high	18 – 20	Brush with oil before grilling.
Fish fillet, ¾" (2 cm)	Med high	16 – 20	Brush with oil before grilling.
Shrimp skewers	Med high	10 – 14	Turn occasionally.
Produce			
Portobello mushrooms	High	8 – 10	Brush with oil.
Bell peppers, quartered	High	8 – 10	Turn occasionally.
Eggplant, sliced, ½" (1 cm)	High	8 – 10	Brush lightly with oil.
Tomatoes, halves	High	8 – 10	Brush with oil.
Pineapple, sliced	High	4 – 6	—
Peaches, halves	High	4 – 6	—
Other			
Hamburger or hot dog buns	Med high	4 – 6	Brush with butter.
Tofu, extra firm, sliced	Med high	8 – 12	Skewer for easier grilling.



* Level foods to a uniform thickness to ensure even cooking.

** The values in the settings table should only be regarded as guidelines, since more or less heat may be required depending on the type and condition of the food.

Using the oven

Symbols and descriptions

Symbol/mode	Definitions and recommendations	Electric main	Gas main	Electric aux.	Gas aux.
 Bake	Cooks with dry, heated air. Variety of foods, such as cakes, cookies, pastries, quick breads, quiche and casseroles.	✓	✓	✓	✓
 Conv bake	Similar to bake, but air is circulated by a fan at the back of the oven. Best for baked goods such as cakes, cornbread, pies, quick breads, tarts, and yeast breads.	✓	✓	✓	✓
 True conv	Cooks with heat from a third element at the back of the oven. The heat is circulated throughout the oven by the convection fan. Well suited for cooking individual serving-sized foods such as cookies and pastries.	✓			
 Broil	Uses intense heat radiated from the upper element. Use for tender cuts of meat (1" or less), poultry, browning bread and casseroles.	✓	✓	✓	✓
 Conv broil	Combines intense heat from upper element with fan circulation. Tender cuts of meat (more than 1"), poultry and fish. Not for browning.	✓		✓	
 Proof	Proof (raises) yeast dough and sourdough.			✓	✓
 Roast	Uses more intense heat from upper element, more browning of exterior. Best suited for meats, poultry, less tender cuts of meats and roasting vegetables.	✓	✓	✓	✓
 Conv roast	Uses lower and more intense heat from upper element than convection bake with air circulated by a fan. Use for tender cuts of meat and poultry and roasting vegetables. Meats are more juicy and moist than results with roast mode.	✓		✓	
 Sabbath	This cooking mode is for assisting the user for compliance to Sabbath principles.	✓	✓	✓	✓
 Keep warm	Maintains a low temperature in order to keep food hot. Best for baked goods such as cakes, cornbread, pies, quick breads, tarts, and yeast breads.			✓	
 Self-clean	The oven reaches a high temperature to burn off food soil.	✓	✓	✓	✓
 Remote start	Allows user to start, pause, and abort oven programs remotely via the Home Connect™ app on a mobile device.	✓	✓		
 Fast preheat	Symbol displayed when fast preheating is activated.	✓		✓	
 Meat probe	Appears when a probe is detected.	✓	✓	✓	✓
 Kitchen timer	The kitchen timer runs independently of the other appliance functions.	✓	✓	✓	✓
 Oven timer	Shows the amount of time that the oven mode will run before turning off automatically.	✓	✓	✓	✓
 End timer	Used when delaying the start of a timed oven mode. Shows the time of day that the oven mode will automatically end.	✓	✓		
 Panel lock	Prevents the oven from being turned on or its settings from being changed accidentally.	✓	✓	✓	✓

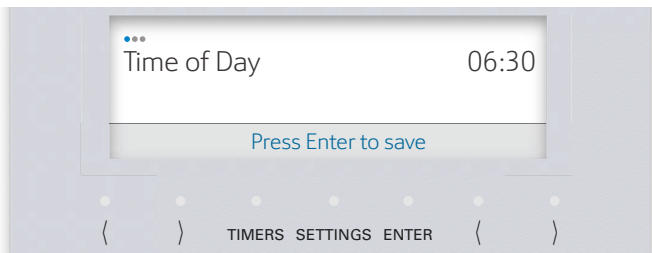
Symbol/mode	Definitions and recommendations	Electric main	Gas main	Electric aux.	Gas aux.
 Door locking	Symbol is displayed during and after the self-clean mode when the door is locked.	✓	✓	✓	✓
 Remote service	Symbol is displayed if customer service is connected during remote access.	✓	✓		

Initial start-up

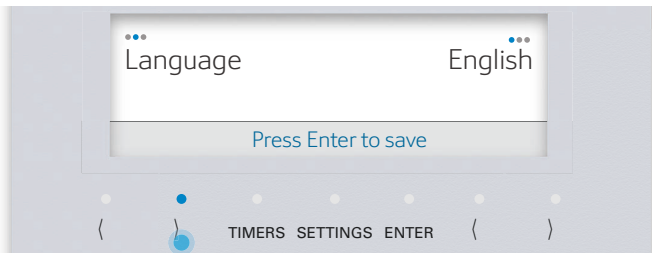
Start-up settings

The time of day, language and time display settings may be accessed at any time by pressing **SETTINGS** while the appliance is in Standby mode.

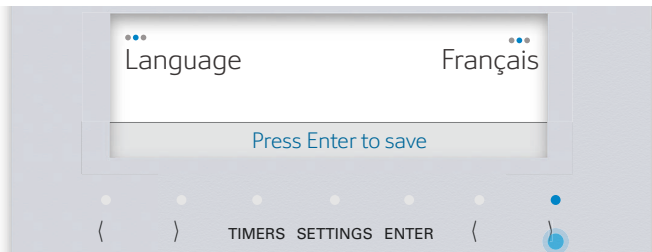
1. Connect the appliance to the power supply.



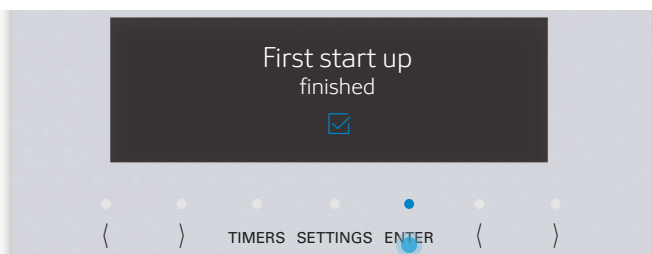
2. Select a setting with the left (or).



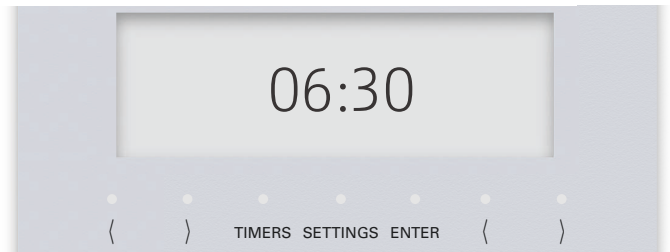
3. Change the setting parameter with the right (or).



4. Press **ENTER**.



- The screen changes to standby mode.



Available settings

Setting	Option
Time of day	Time in hours and minutes
Language	English, Français, Español
Clock format	12 hr, 24 hr
Clock display	Digital, Analogue
Fast preheat	On, Off
Key press sound	On, Off
Display brightness	1 – 5
Standby mode	On, Off
Convect conversion	On, Off Decreases oven temperature by 25°F (4°C)
Temperature offset	<ul style="list-style-type: none"> • Temp offset: Right oven -35° to +35°F (-20° to +20°C) • Temp offset: Left oven -35° to +35°F (-20° to +20°C)
Sabbath	On, Off
Home Connect	Set up using the assistant
Factory settings	Restore
Service access	Connect
Customer service	Displays customer service contact information

Home Connect™ assistant

About Home Connect

The Home Connect wizard is a part of the initial installation of the appliance on certain models. If the Home Connect is not installed during the first start-up of the appliance it may be accessed in the settings menu.

The Home Connect app must first be successfully installed on a mobile device. See the section "Setting up Home Connect™" on page 45 for full instructions on how to install the Home Connect app.

Setting up Home Connect

You can start the Home Connect assistant to connect to the Home Connect network and pair your mobile device.

1. Begin from the **STANDBY** mode and select **SETTINGS**.
2. Press the left **<** or **>** to scroll to **HOME CONNECT**.
3. Press **ENTER**.
4. Follow the instructions on the display.

About data protection

When your appliance is connected for the first time to a WLAN network, which is connected to the Internet, your appliance transmits the following categories of data to the Home Connect server (initial registration):

- Unique appliance identification (consisting of appliance codes as well as the MAC address of the installed Wi-Fi communication module).
- Security certificate of the Wi-Fi communication module (to ensure a secure IT connection).
- The current software and hardware version of your domestic appliance.
- Status of any previous resetting to factory settings.

This initial registration prepares the Home Connect functions for use and is only required when you want to use these Home Connect functions for the first time.

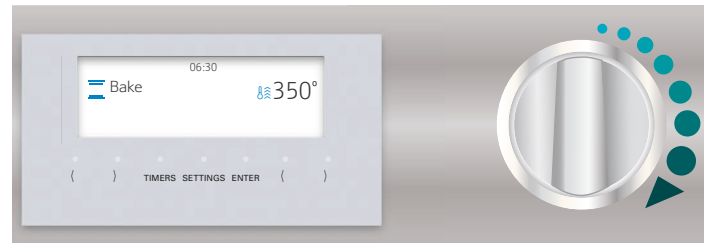
Setting the oven(s)

Setting the cooking mode and temperature

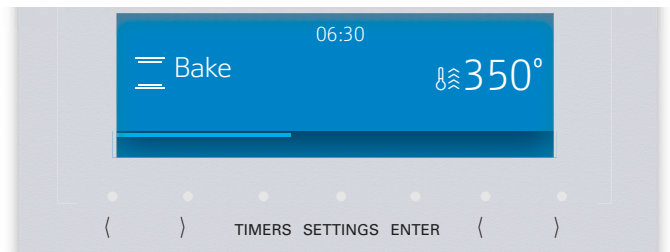
1. Place rack in desired rack position and shut the door.
2. Turn the **MODE** knob to **BAKE**, for example.



3. Turn the **TEMPERATURE** knob.



- The temperature gauge will start to move toward the temperature setting. The temperature gauge reflects the temperature setting, not the actual temperature of the oven.
- The needle of the temperature gauge will move to the new selected temperature setting if the temperature setting is increased or decreased. The gauge is for reference only.
- The blue preheating bar moves to the right as the oven heats up.



4. After oven has preheated, place food inside.

Kitchen timer

About the kitchen timer

- The kitchen timer can be set for up to 24 hours.
- It can be used despite whether the range is in operation and independently of all other functions.
- The appliance does not switch on and off automatically.

To set the kitchen timer

1. Press **TIMERS**.
2. Press the left <or> and select **KITCHEN TIMER**.
3. Press the right <or> to set your desired time and press **ENTER**.
 - A beep sounds when the timer ends. Press **ENTER** to terminate the beep and timer.

To change a running timer

1. Press **TIMERS**.
2. Press the right <or> to set your desired time and press **ENTER**.

|→| Oven timer

About the oven timer

- After the set time has elapsed, the appliance switches off automatically when the desired cooking time is complete.

To set the oven timer

1. Turn the **MODE** knob to **BAKE**, for example.
2. Turn the **TEMPERATURE** knob to 350°F, for example.
3. Press **TIMERS**.
4. Press the left <or> and select **OVEN TIMER**.
5. Press the right <or> to set your desired time and press **ENTER**.
 - A beep sounds when the timer ends.

To change a running timer

1. Press **TIMERS**.
2. Press the right <or> to set your desired time and press **ENTER**.

→| End timer

About the end timer

You can delay the cooking time end to a later time. Example: it is 4:00 PM. The dish requires a cooking time of 40 minutes. You want it to be ready at 5:30. Enter the cooking time and delay the cooking time end until 5:30. The appliance starts automatically at 4:50 and switches off at 5:30.

Bear in mind that food which spoils easily should not be left in the oven for too long.

To set the end timer

1. Set the desired cooking mode and oven temperature.
2. Press **TIMERS**.
3. Press the left <or> and select **OVEN TIMER**.

4. Press the right <or> to set the oven time.
5. Press the left <or> and select **END TIME**.
6. Press the right <or> to set the end time and press **ENTER**.
 - After confirming the end time the waiting time notification appears. After the waiting period the oven starts heating.

Fast preheat

About fast preheat

- With fast preheat, you can shorten the preheat time required for some heating modes. Fast preheat is generally recommended for frozen convenience foods, casseroles, or other foods that require longer baking times. This mode is not recommended for baked goods.
- The unit will continue to run the fast preheat indefinitely until the user manually changes it in the settings, or until the unit loses power, in which case fast preheat will need to be reset.
- Fast preheat will also be activated for the secondary oven on 48" models.
- Fast preheat is available for the bake, convection bake, roast, and convection roast modes.
- To achieve an even cooking result, do not place your food into the oven until fast preheating is complete.

To set the fast preheat

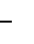
1. Begin from the **STANDBY** mode and select **SETTINGS**.
2. Press the left <or> to scroll to **FAST PREHEAT**.
3. Press the right <or> and select **ON** and then press **ENTER**.

Panel lock

About the panel lock

- The panel lock is a child safety mechanism to prevent children from accidentally turning on the oven or changing an oven setting.
- Panel lock can only be activated in standby.

To set the panel lock

1. Press and hold **TIMERS** for four seconds.
 - The panel lock symbol  and **PANEL LOCKED** will appear in the display.

To deactivate the panel lock

1. Press and hold the **TIMERS** button for four seconds.

Convection conversion

About the convection conversion

- To convert most baked items for use with convection bake and true convection (cookies, cakes, pies, etc.), the oven temperature often needs to be decreased by 25°F. The convection conversion setting reduces the temperature you enter for you automatically.
- The unit will continue to run the convection conversion value indefinitely until the user manually changes it in the settings, or until the unit loses power, in which case convection conversion will need to be reset.
- Convection conversion is available for the convection bake and true convection modes only.
- For meats and poultry, the temperature should not be reduced. The same temperature recommended in recipes and cooking charts for meats and poultry should be used.

To set the convection conversion

1. Begin from the **STANDBY** mode and select **SETTINGS**.
2. Press the left < or > to scroll to **CONVECT CONVERSION**.
3. Press the right < or > and select **ON**.
4. Press **ENTER**.
5. Turn the mode knob to **CONV BAKE** and the **TEMPERATURE** knob to the recipe temperature.
 - The oven automatically reduces the input temperature by 25°F (10 °C) to the correct temperature.
6. Allow oven to preheat and place food inside.

Fine tuning the oven

About offset

The offset feature allows the cook to further fine-tune their cooking parameters to their own personal optimal settings by allowing them to adjust the temperature offset of the oven by +/-35°F in increments of 5°F. This feature is useful if you find that food is consistently either too brown or too light for your tastes.

- The offset feature is available for all modes except self-clean.
- By default, the temperature is set at 0°.
- The unit will continue to run the input offset value indefinitely until the user manually changes it, or until the unit loses power, in which case offset will need to be reset.

To set offset

1. Begin from the **STANDBY** mode and select **SETTINGS**.
2. Press the left < or > to scroll **TEMP OFFSET: RIGHT/ LEFT OVEN**.
3. Press the right < or > to set the temperature.
4. Press **ENTER**.

Meat probe

About the meat probe

The meat probe allows you more control over how your foods are cooked by automatically disabling the specified cooking mode when a dish's desired temperature, defined by the cook, has been reached. The probe expresses the current temperature of the meat as it cooks.

The following are the heating modes that work with the temperature probe:

- Bake
- Convection bake
- Roast
- Convection roast

The temperature probe will not work with the oven timer or with the end timer.

IMPORTANT:

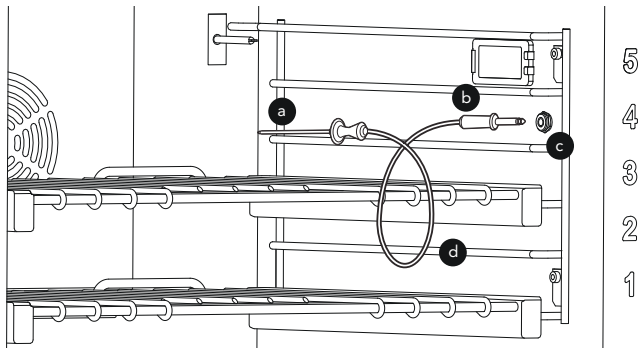
- To avoid damaging your meat probe, **DO NOT** pull on the cable when trying to remove it from a dish.
- **DO NOT** use tongs or other instruments to pry on the meat probe when removing it or to 'hammer' the meat probe into a food dish.
- To prevent possible burns, wait until the oven has cooled before trying to remove the meat probe from the outlet.
- **DO NOT** store the meat probe inside the oven.

For best results

- To avoid damaging the meat probe, ensure that the meat is fully defrosted before inserting the meat probe.
- Insert the meat probe until its tip is rested in the center of the thickest, meatiest portion of the meat. Ensure that the meat probe does not touch bone, fat, or gristle.
- For poultry, the meat probe should be inserted into the interior thigh muscle.
- The meat probe should not touch any part of the cooking dish or parts of the oven, as this will affect the accuracy of the results.

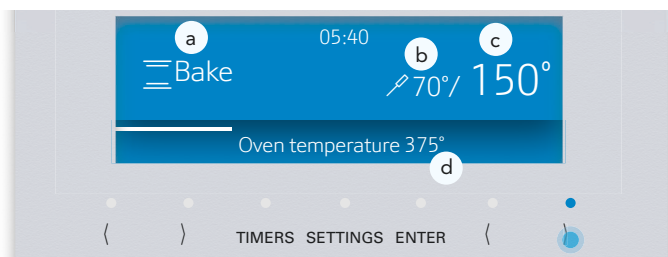
To program the meat probe

1. Insert the plug end into the probe outlet in the oven wall and insert the meat probe end into the meat.



- a. Probe b. Plug
c. Outlet d. Cable

2. Close the oven door.
3. Turn the **MODE** and **TEMPERATURE** knobs to your desired settings.
4. Press the right **<** or **>** to the desired internal temperature.



- a. Cooking mode b. Current probe temp
c. Set shut-off temp d. Set oven temp

- The oven display indicates the current temperature of the meat as it cooks.
- The progress bar moves to the right as the internal cooking temperatures increase. When the actual probe temperature reaches the desired set temperature, the cooking mode will be finished and the "end of cook timer" will beep to indicate that the cooking process has concluded.

Sabbath

The Sabbath mode complies with the standards set forth by Star K. Please know that there are restrictions for the use of cooking appliances on the Sabbath and Holidays. Please note that when the Sabbath and a Holiday coincide, the Sabbath laws prevail. If you are unfamiliar with the laws of keeping food warm on the Sabbath, or cooking on the Holidays, please contact your Rabbi or refer to the Star K website at www.star-k.org.

You may operate this appliance on the Jewish Sabbath or the Jewish Holidays if used in accordance with the following knowledge:

About Sabbath mode – using the rangetop

⚠ WARNING

When using a blech, use only one STAR® burner at the lowest setting. Using multiple STAR burners might cause overheating, combustion issues, or damage to the appliance. **DO NOT** cover vent openings.

- The STAR burners with the XLO® feature are controlled electronically. Therefore, when Sabbath mode is initiated, the STAR burners with the XLO feature are deactivated to ensure compliance.
- The standard STAR gas burners without the XLO feature remain fully functional.
- The induction module, griddle, and/or the grill are fully functional during Sabbath mode. However, to ensure compliance, they should not be operated.
- The standard gas STAR burners remain on during a power failure.
- The STAR burners are equipped with a re-ignition feature. The igniter will automatically re-light the STAR burner if the flame is blown out.
- During Yom Tov, a gas flame may not be ignited or turned off. However, the flame may be raised and lowered to adjust the temperature as required for cooking.
- During Sabbath, a gas flame may not be ignited, adjusted, or turned off. You may use a blech to conceal the flame, the lights, and the controls. **DO NOT** cover vent openings.

About Sabbath mode – using the oven(s)

- The oven maintains a constant temperature between 150°F and 475°F (66°C and 246°C) with the bake mode.
- Cooked dishes are kept warm for a minimum time of 30 minutes and up to a maximum time of 74 hours without needing to switch the appliance on or off.

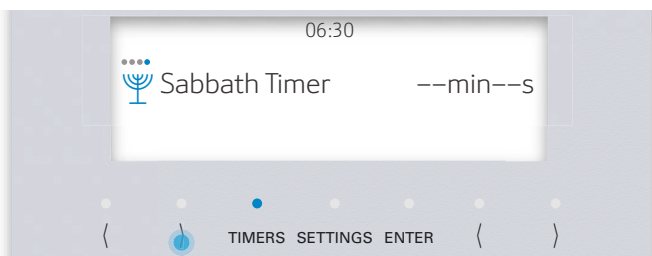
- All food should be placed in the oven before the Sabbath begins, since none may be placed in the oven during the Sabbath. Please note that easily perishable foodstuffs must not be left in the oven for too long.
- The oven temperature should not be turned on, adjusted, or turned off while observing Sabbath.
- On the Sabbath, in lieu of a blech, the oven controls should be covered. Be careful not to cover vent openings.
- The oven lamp(s) is disabled in Sabbath mode to prevent any action from occurring if the oven door is opened.
- The oven door may only be opened once on the Sabbath to remove all food and then closed.
- The oven door may be opened and closed at any time as often as desired during Holidays.
- The temperature may be adjusted for cooking purposes during Holidays. (There is a delay between the request and implementation).

Sabbath mode power outage note

If a power outage occurs while the oven is in Sabbath mode, the unit will exit out of Sabbath mode when power is restored. The oven will return to the off state even if it was in the middle of a bake cycle when the power outage occurred.

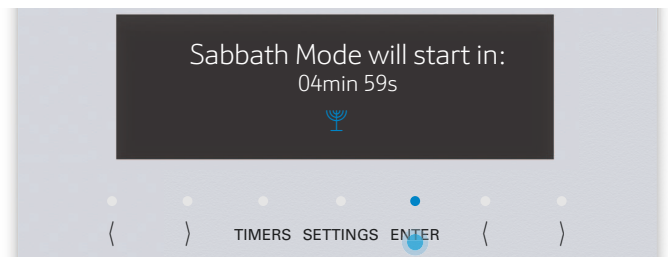
To set Sabbath on the main oven

1. Begin from the **STANDBY** mode and select **SETTINGS** on the main oven display.
2. Press the left **<** or **>** to scroll to **SABBATH**.
3. Press the right **<** or **>** and select **ON** and then press **ENTER**.
 - Steps 1 through 3 are only necessary for the first time use of Sabbath or if the appliance's settings are factory reset.
4. Turn the main oven mode knob to **BAKE** and turn the temperature knob to the desired temp.
5. Press **TIMERS** on the main oven display.
6. Press the left **<** or **>** to scroll to **SABBATH TIMER**.

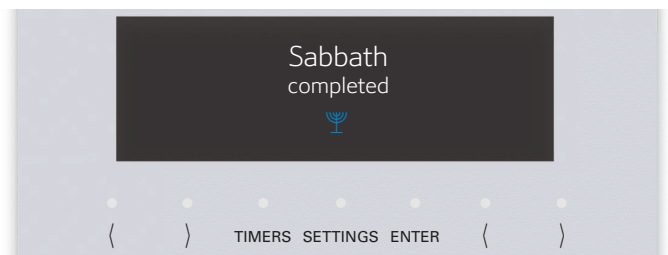


7. Press the right **<** or **>** and enter the **DURATION TIME** in 30 minute increments.
8. Press **ENTER**.

- A delay notification appears.



- During this five minute pause, the user can adjust the parameters. After the countdown the oven starts heating and all buttons are disabled.
 - The secondary oven can be turned to any heating mode position to initiate Sabbath during the five minute pause.
9. After the Sabbath timer has completed, turn all knobs to **OFF**.



To cancel Sabbath

1. Turn all knobs to **OFF** to cancel the operation.

To set Sabbath on the secondary oven

1. Begin from the **STANDBY** mode and select **SETTINGS** on the main oven display.
2. Press the left **<** or **>** to scroll to **SABBATH**.
3. Press the right **<** or **>** and select **ON** and then press **ENTER**.
 - Steps 1 through 3 are only necessary for the first time use of Sabbath or if the appliance's settings are factory reset.
4. Turn the secondary oven mode knob to **BAKE** and turn the temperature knob to the desired temp.
5. Press **TIMERS** on the secondary oven display.
6. Press the left **<** or **>** to scroll to **SABBATH TIMER**.
7. Press the right **<** or **>** and enter the **DURATION TIME** in 30 minute increments.
8. Press **ENTER**.
 - During the five minute pause, the user can adjust the parameters. After the countdown the oven starts heating and all buttons are disabled.

To cancel Sabbath

1. Turn all knobs to **OFF** to cancel the operation.

Remote start

▲ WARNING

REMOTE OPERATION

Some models allow remote operation at any time. Do not store any flammable materials or temperature sensitive items inside, on top or near surface units of the appliance.

About remote start

If you want to start an oven operation using your mobile device, you must activate remote start.

Notes

- For some models a permanent remote start can be activated via the Home Connect app. This function allows a remote start of the available operating modes without automatically deactivating remote start.
- Remote start allows you to start, pause, and abort oven programs remotely via the Home Connect™ app on a mobile device.
- The remote start can only be employed if the Home Connect app has been successfully installed on a mobile device. See the section "Setting up Home Connect™" on page 45 for instructions on how to install the Home Connect app.
- Some operating modes can only be started on the oven itself.
- If the appliance is not connected to the home network, the appliance functions in the same way as an oven with no network connection and can still be operated via the appliance.
- The availability of the Home Connect function depends on the availability of Home Connect services in your country. Home Connect services are not available in every country. You can find more information on this at www.home-connect.com

Remote start is automatically deactivated in the following situations:

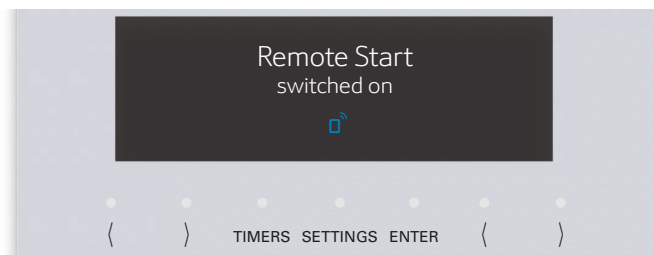
- The oven door is opened 15 minutes after remote start is activated.
- The oven door is opened 15 minutes after the oven operation has ended.
- 24 hours after remote start has been activated.


IMPORTANT:

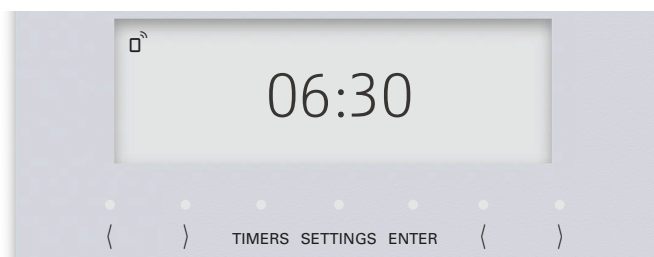
- Ensure that you follow the safety instructions in this instruction manual and that you comply with these even when you are away from home and are operating the appliance via the Home Connect app. You must also follow the instructions in the Home Connect app.
- Operating the appliance directly from the appliance always has priority. During this time, it is not possible to operate the appliance using the Home Connect app.
- We are constantly working to improve the Home Connect app, which may lead to differences in the setup steps. Please rely on the instructions in the latest version of the Home Connect app to guide you through the setup process.

To set remote start

1. Place the food in the oven and then close the door.
2. Turn the mode knob to **REMOTE START**.
 - **DO NOT** rotate the temperature knob to any setting (leave in the off position).



- The display turns to the standby screen and  appears in the display.

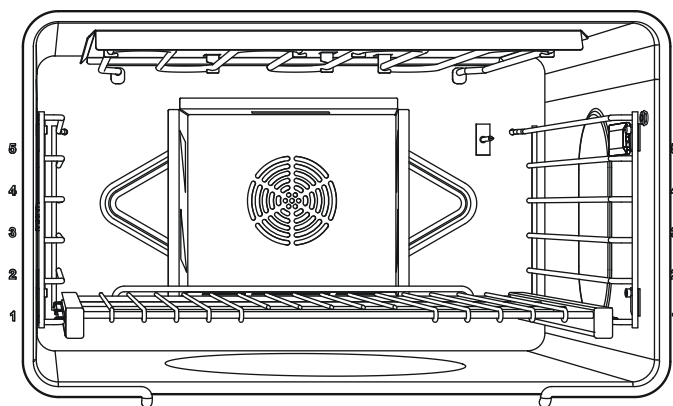


3. Continue with the Home Connect app installed on your mobile device.

Getting the most out of your appliance

Oven rack positions

Rack level positions in the oven are numbered on the front frame like an elevator. Number one level is the lowest and number five level is at the top.



NOTE: Rack positions are general recommendations for baking; however, if a recipe calls for a different rack position than those given, then the recipe or package directions should be followed.

Bake

About bake

Bake is cooking with dry, heated air. Both the upper and lower elements cycle to maintain the oven temperature. The bake mode can be used to prepare a variety of food items, from pastries to casseroles. Refer to recipe or package directions for oven temperature and baking time.

Main oven one rack baking

Level	Bake mode
3	-- Best used for most baked items.
2	-- If the item is tall, such as an angel food cake. -- Pies are best baked on rack level 2 to make certain the bottom of the crust is done without over-browning the top. -- When large pieces of meat or poultry are roasted, such as a prime rib of beef or a turkey.

Main oven two rack baking

Levels	Bake or conv bake mode
2 and 5 dual fuel 2 and 4 gas	-- Casserole dishes

Secondary oven (48" models)

Level	Bake mode
1	-- Best used for most baked items.

Main oven three rack baking

If three-rack baking is desired, the Convection Bake mode is best.

Getting the best results

- Minimize opening the oven door(s).
- Use the rack position recommended by the recipe.
- Use the bakeware recommended in the recipe.
- Store the broiler pan(s) outside the oven. An extra pan without food affects the browning and cooking.
- The type of pan used affects the browning:
 - For tender, golden brown crusts, use light non-stick/anodized or shiny metal pans.
 - For brown crisp crusts, use dark non-stick/anodized or dark, dull metal pans or glass bakeware. These may require lowering the bake temperature 25°F.

Preheating the oven

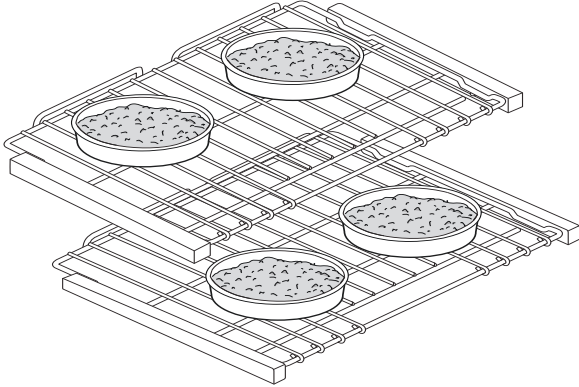
- Most cooking times in recipes are designed for a preheated oven and require that the oven already be at a certain temperature before cooking starts. Refer to your recipe for preheating recommendations.
- Preheating time depends on the temperature setting and the number of racks in the oven.

Bakeware type

- Metal bakeware (with or without a non-stick finish), heat-proof glass, glass-ceramic, pottery, or other utensils are suitable for the oven.
- Suitable cookie sheets have a small lip on one side. Heavy sheets or those with more than one side may affect the baking time.

Pan placement

- Allow at least 1" (25.4 mm) of space between the pans and the oven walls so heat can circulate around each pan.
- Stagger bakeware so that one is not directly above another. Allow 1½" (38 mm) above and below each pan.



High altitude baking

When cooking at high altitudes, recipes and cooking times will vary. For accurate information, write the Extension Service, Colorado State University, Fort Collins, Colorado 80521. There may be a cost for the guides. Specify which high altitude food preparation guide you prefer: general information, cakes, cookies breads, etc.

Condensation

It is normal for a certain amount of moisture to evaporate from the food during any cooking process. The amount depends on the moisture content of the food. The moisture will condense on any surface cooler than the inside of the oven, such as the control panel.

Broil

About broil

Before turning on the oven, place the rack in the desired position. After preheating the broiler, center the broil pan under the broil element.

Only the upper element heats in the broil mode. Successful broiling requires constant exposure to high, intense heat.

Dual fuel main oven broil rack recommendations

Level	Dual fuel broil mode
5	-- Beef steaks, ground meat patties, ham steak and lamb chops 1" (25.4 mm) or less in thickness. Also use when top browning foods.
4	-- Meat 1-1/8" (29 mm) or more in thickness or fish, poultry, pork chops and ham steaks 1" (25.4 mm) or more in thickness.
3	-- Chicken quarters or halves.

Gas main oven broil rack recommendations

Level	Gas broil mode
4	-- Beef steaks, ground meat patties, ham steak and lamb chops 1" (25.4 mm) or less in thickness.
3	-- Meat 1-1/8" (29 mm) or more in thickness or fish, poultry, pork chops and ham steaks 1" (25.4 mm) or more in thickness. Use this rack when broiling chicken quarters or halves. Also use when top browning foods.

Secondary oven broil rack recommendations (48" models only)

Levels	Secondary broil mode
3, 4, or 5 – dual fuel 1, 3, or 4 – gas	-- Depending upon the type and thickness of the food.
5 – dual fuel 3 – gas	-- Top browning of foods.

Getting the best broil results

Tips:

- Defrost food before broiling.
- Door is to be closed during broiling.
- It is recommended that you preheat the broil element before starting to cook. Preheat for 5 minutes then place food in oven.
- Steaks should be more than 1" (25.4 mm) thick if rare meat is desired. Use convection broil if steaks are over 1½" (38 mm) thick.
- Turn foods over only once, after half the total cooking time. It is not necessary to turn very thin foods (ham slices, fillets of fish, etc.). Liver slices must be turned over regardless of thickness.
- Center foods directly under the broiling element for best browning.

Utensils

- Your appliance comes with a large two-piece broiler pan. The slotted grid allows drippings to flow into the lower pan, away from the intense heat of the broil element, minimizing spattering, smoking, and the chance of a grease fire. **DO NOT** cover the slotted grid (top) with aluminum foil.
- Use metal or glass-ceramic bakeware when top browning casseroles, main dishes, or bread.
- **DO NOT** use heat-proof glass or pottery. This type of glassware cannot withstand the intense heat of the broil element.

NOTE: It is not possible to use the bake mode and broil mode simultaneously. When one mode is on, the other mode cannot be turned on.

Convection broil

About convection broil

Convection broil is similar to broil. It combines intense heat from the upper element with heat circulated by a convection fan.

Convection broil mode is well suited for cooking thick, tender cuts of meat, poultry and fish. Convection broil is not recommended for browning breads, casseroles and other foods. Always use convection broil with the door closed.

In addition to the benefits of standard broiling, convection broiling is faster.

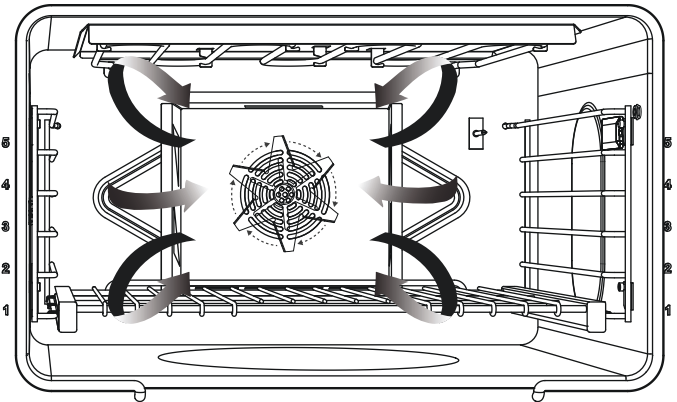
Tips:

- Preheat oven 3-4 minutes. Do not preheat for more than 5 minutes.
- Meat should be at least 1½" thick. Use the broil pan and grid included with your oven.
- Do not cover the broil grid with foil. It is designed to drain fats and oils away from the cooking surface to prevent smoking and spattering.
- Turn meats (other than fish) once during the recommended cook time.

Convection bake

About convection bake

Convection bake is similar to bake. Heat comes from the lower heating element. The main difference in convection baking is that the heat is circulated throughout the appliance by the convection fan.



Tips:

- To convert most recipes for baked items (cookies, cakes, pies, etc.); reduce the oven temperature by 25°F.
- For meats and poultry, the temperature should not be reduced. The same temperature recommended in recipes and cooking charts for meats and poultry should be used.
- Low, shallow bakeware should be used with convection cooking. This allows the heated air to circulate around the food.
- When baking on more than one rack, cookie sheets should not be staggered; round cake pans should be staggered.
- Any food cooked uncovered will brown evenly and form a nice crust. Foods in covered dishes (casseroles, pot roast) or delicate custards do not benefit from convection cooking.
- For small items such as cookies, check to see if they are done one to two minutes before the recipe time. For larger baked items such as cakes, check five to six minutes before the time indicated on the recipe.
- Large meat or poultry items may cook up to 30 minutes less than the suggested time so check them so they will not be over baked.

One rack convection baking

Level	Conv bake mode
3	-- When baking on one rack, best results are obtained in the bake mode.
2	-- Roasting a turkey or a large piece of meat.

Two rack convection baking

Levels	Conv bake mode
2 and 4	-- Use for cakes, cookies, biscuits, and other baked goods. Cake pans should be staggered. Cookie sheets should be placed on rack 2 directly under the one on rack 4. -- To bake several casseroles, frozen pies, or cakes. -- These two racks can also be used for a large oven meal.

Three rack convection baking

Levels	Conv bake mode
1, 3, and 5 Dual Fuel	-- When several sheets of cookies are to be baked. Place the baking sheets directly above each other on the respective racks to allow air to flow around the baking sheets.
Gas see note	-- Gas range rack levels for: Cookies: 2, 3, and 4 Other foods: 1, 3, and 5

Dehydrating foods with convection bake

Use the convection bake to dry and preserve fruits and vegetables.

Tips:

- Drying times vary depending on the moisture and sugar content of the food, the size of the pieces, the amount being dried and the humidity in the air.
- Dry most fruits and vegetables at 150°F (66°C).
- Check food at the minimum drying time.
- It is best to use drying racks (not included) so that air can flow around the food. Do not place food directly on a baking sheet or pan. Food needs to be elevated to ensure even drying.
- Multiple drying racks can be used simultaneously.

- Racks 2 and 4 or 1, 3 and 5 can be used for multiple rack dehydrating. Use rack 3 if only dehydrating one rack.
- Dehydrating meat is not recommended due to food safety concerns.
- Consult a food preservation book, county Cooperative Extension Office or library for additional information.

Convection bake dehydration recommendations

Food	Preparation	Approx. time (hrs)	Doneness test
Apple, ¼" slices	Dipped in ¼ cup lemon juice and 2 cups water	8 – 15	Slightly pliable
Bananas, ¼" slices	Dipped in ¼ cup lemon juice and 2 cups water	8 – 15	Slightly pliable
Cherries	Wash and towel dry. For fresh cherries, remove pits	7 – 18	Pliable leathery, chewy
Orange peels	Orange part of skin thinly peeled from oranges.	1 – 4	Dry and brittle
Orange slices	¼" slices of orange	9 – 16	Skins are dry and brittle, fruit is slightly moist
Pineapple rings	Towel dried	7 – 12	Soft and pliable
Strawberries	Wash and towel dry. Sliced ½" thick, skin down on rack	9 – 17	Dry and brittle
Peppers	Wash and towel dry. Remove membrane of peppers, 1" coarsely chopped pieces	13 – 17	Leathery with no moisture inside
Mushrooms	Wash and towel dry. Cut thin slices, 1/8" thick	5 – 12	Tough and leathery, dry
Tomatoes	Wash and towel dry. Cut thin slices, 1/8" thick, drain well	5 – 12	Dry, brick red color

True convection

About true convection

True convection cooks with heat from a third element behind the back wall of the oven. The heat is circulated throughout the oven by the convection fan.

Dual fuel levels	True conv mode
4 and 5	-- Cookies
2, 3, and 4	-- Cookies
1, 3, and 5	-- Pastries and other baked goods

Tips:

- Reduce recipe temperature by 25°F.
- Place food in low-sided, uncovered pans such as cookie sheets without sides.
- If baking more than one pan on a rack, allow at least 1" to 1½" of air space around the pan.

Proof

About proof

The proof feature maintains the warm, non-drafty environment needed for proofing yeast leavened products.

It is best to start with a cool oven when using the proofing function.

To set the oven for proof

1. Allow dough to thaw if frozen.
2. Place dough in dish and loosely cover.
3. Use any rack level that accommodates the size of the bowl or pan. Close the door.
4. Turn the mode knob to **PROOF**.
5. Turn the oven temperature knob to 150°F.

Size	Time
Loaf, 1 lb (0.45 kg)	60 – 75 minutes
Rolls, 0.1 lb (0.05 kg)	30 – 45 minutes

The ideal temperature for proofing will be maintained until the mode knob is turned off. Dough has “proofed” when it has doubled in size.

Do not open the oven door unnecessarily. Opening the door will lower the temperature of the air in the oven and lengthen the proofing time. Use the oven light to check the rising of the dough.

Proofing time may be decreased when using the large oven at the same time you are proofing. Check bread product early to avoid over-proofing. If you are using the large oven for extended periods of time we recommend, for optimum results, that you complete the proofing before using the large oven.

Roast

About roast

Roast uses both the upper and lower elements to maintain the oven temperature. Roasting uses more intense heat from the upper element than the lower element. This results in more browning of the exterior while the inside remains especially moist. Roast is best suited for large cuts of meat and poultry.

Tips:

- Use a high-sided broil pan, or cover dish with a lid or foil.
- Add liquids, such as water, juice, wine, bouillon or stock for flavor and moisture.
- Roasting bags are suitable for use in this mode.
- When roasting whole chicken or turkey, tuck wings behind back and loosely tie legs with kitchen string.

Roasting recommendations

Meat and poultry	Temperature	Level
Beef		
Pot roast, 3 – 4 lbs.	350°F (180°C)	1
Beef brisket	350°F (180°C)	2
Beef chuck	350°F (180°C)	1
Meatloaf	350°F (180°C)	3
Poultry		
Chicken, whole	375°F (190°C)	2
Chicken, pieces	375°F (190°C)	2
Turkey, whole	325°F (165°C)	2
Pork		
Shoulder	325°F (165°C)	1
Smoked ham, half	325°F (165°C)	1

Convection roast

About convection roast

Convection roast uses heat from the top and bottom elements as well as heat circulated by the convection fan.

The convection roast mode is well suited for preparing tender cuts of meat and poultry. The benefits of convection roast mode include:

- As much as 25% faster cooking than non-convection modes.
- Rich, golden browning.

Tips:

- Use the same temperature as indicated in the recipe.
- Check doneness early, since roasting time may decrease.
- Do not cover meat or use cooking bags.
- Use the broil pan and grid provided with the oven for roasting. A shallow, uncovered pan can also be used.
- Use a meat thermometer to determine the internal temperature of the meat.
- If the meat is browned to your liking, but is not yet done, a small strip of foil can be placed over the meat to prevent over-browning.
- Let meat stand covered with foil 10-15 minutes after removing it from the oven.

Keep warm

About keep warm

- The keep warm mode will keep hot, cooked foods at serving temperature. **ALWAYS** start with hot food. **DO NOT** use this mode to heat cold food other than for crisping crackers, chips and dry cereal.
- Serving dishes, plates and cups may be kept warm with this mode.
- Warm mode temperatures range from 140°–150°F / 60°–66°C. Food should be at serving temperature (above 140°F / 60°C) before being placed in the oven.

- Food may be kept hot in its cooking container or transferred to a heat-safe serving dish.
- Aluminum foil may be used to cover food. Use only heat-safe dishes.
- **DO NOT** open the oven door unnecessarily. Opening the door will reduce the temperature of the oven.
- When keeping cooked food warm, allow time for the oven to preheat before placing the item in the oven.

To set the warm mode

1. Turn the mode knob to **WARM**.
2. Turn the oven temperature knob to 150°F.
3. Place warmed dish in the oven and close the door.

Minimum internal cooking temperatures

The minimum internal temperatures that foods must reach to be considered safe to eat, as determined by the U. S Department of Agriculture Food Safety and Inspection Service, are as follows:

Egg dishes, casseroles	160°F (72°C)
Leftovers	165°F (74°C)
Ground beef, veal, lamb, or pork	160°F (72°C)
Beef, veal, lamb roasts, steaks, or chops	
Medium rare	145°F (63°C)
Medium	160°F (71°C)
Well done	170°F (77°C)
Pork roasts, steaks, or chops	
Medium	160°F (72°C)
Well done	170°F (77°C)
Ham	
Cook before eating	160°F (72°C)
Fully cooked, to reheat	140°F (60°C)
Poultry	
Ground chicken, turkey	165°F (74°C)
Whole chicken, turkey	180°F (82°C)
Breasts, roasts	170°F (77°C)
Thighs and wings	180°F (82°C)
Stuffing (cooked alone or in bird)	165°F (74°C)

Setting up Home Connect™

With Home Connect™, the appliance is Wi-Fi capable and can be remotely controlled using a mobile device (e.g. tablet or smartphone). The Home Connect app offers additional functions which are a perfect complement to the networked appliance.

Home Connect does not work over Wi-Fi networks that require browser registration, i.e. a user name and password entered via a web browser.

You should have a stable wireless network with good reception and access to the internet.

If the appliance is not connected to the WLAN network (home network), it functions in the same way as a typical appliance with no network connection and can be operated as usual.

NOTE: Please ensure that you follow the safety instructions given at the beginning of this instruction manual and that these are also observed when operating the appliance via the Home Connect app and when away from home. Please also follow the instructions in the Home Connect app.

NOTE: Operation on the appliance itself always takes priority, and during this time it is not possible to operate the appliance using the Home Connect app.

Setup

To implement settings via Home Connect you must have installed the Home Connect app on a mobile device (e.g. tablet or smartphone). Please observe the supplied Home Connect documents that came with your appliance with regard to this feature.

Follow the steps specified by the app to implement the settings.

What do you need to connect your appliance to Home Connect™?

1. Your appliance must be installed properly.
2. A smartphone or tablet equipped with the latest version of iOS or Android operating system.
3. Your home appliance within the Wi-Fi signal of your home network.
4. The name of your Wi-Fi network (SSID) and its password (key).

IMPORTANT INFORMATION ABOUT DATA SECURITY:

The transfer of data is always encrypted. Home Connect meets the highest security standards, which are continuously reviewed. For further information visit www.home-connect.com.

Information:

We are constantly working to improve the Home Connect app, which may lead to differences in the setup steps. Please rely on the instructions in the latest version of the Home Connect app to guide you through the setup process.

Step 1: Download the Home Connect app and create a user account

1. Open the App Store (Apple® devices) or Google Play™ store (Android™ devices) on your smartphone or tablet.
2. Search for the **HOME CONNECT** app in the store's search and install it.
3. Open the app and register to create a Home Connect account.
4. Write down your Home Connect account credentials (user account and password). You will need them later.

Save your Home Connect login details here:

Network name
(SSID):.....

Password
(Key):.....

The app will guide you through the steps of adding your appliance to Home Connect.

Step 2: Connect your appliance to your home network

1. Your appliance must be installed properly.
2. Open your Home Connect app to add an appliance.
3. Please follow the directions in the app and refer to this guide only when prompted by the app.

Step 2.1: Connect your appliance to your home network with WPS

Please enter step 2.1 only when prompted to by the app. The following steps describe operations at the appliance itself.

1. Press **SETTINGS** and select **HOME CONNECT**.
2. Press **ENTER**.
 - A request to press the WPS button on the router within 2 minutes appears in the display.
3. Press the **WPS button** on your router.
 - Please consult your router's manual to locate the WPS button.
 - The app will get notified once your appliance has been successfully connected to your Wi-Fi network.
4. Press **ENTER**.
 - A message will appear in the display informing the user if the network was connected successfully.
5. Press **START PAIRING** in the Home Connect app.
6. Follow the directions in the app.

Information:

If the connection could not be established within 5 minutes, make sure your appliance is within the range of your Wi-Fi network.

Step 2.2: Connect your appliance to your home network step-by-step

Please enter step 2.2 only when prompted by the app. The following steps describe operations at the appliance itself.

1. Select **SETTINGS** and scroll to **HOME CONNECT**.
2. Press **ENTER**.
 - A request to press the WPS button on the router within 2 minutes appears in the display.
3. Press **ENTER**.
4. Select **CONNECT MANUALLY**.
 - Have your mobile device ready for manual connection to network.
5. Press **CONTINUE**.
 - The appliance will open a temporary Wi-Fi network called "HomeConnect" with the password "HomeConnect" for 2 minutes.

- The app provides your home Wi-Fi network name (SSID) and its password via this temporary Wi-Fi network to the appliance enabling the appliance to connect to your home Wi-Fi network.

6. Follow the directions in the app.

Step 3: Connect your appliance to the Home Connect™ app

Please enter step 3 only when prompted by the app. The following steps describe operations at the appliance itself.

1. Launch the app on your mobile device and follow the instructions in the app.
2. The login process is complete once **PAIRING SUCCESSFUL** is shown on the oven display.
3. Follow the directions in the app.

You have successfully connected your appliance. You can now benefit from all the advantages of the Home Connect™ app!

Information:

If the connection could not be established within 5 minutes, make sure your appliance is within the range of your Wi-Fi network.

Software update

Using the software update function, your appliance's software can be updated (e.g. for the purpose of optimization, troubleshooting or security updates). To do this, you need to be a registered Home Connect™ user, have installed the app on your mobile device, and be connected to the Home Connect™ server.

As soon as a software update is available, you will be informed through the Home Connect™ app and will be able to start the software update via the app.

Once the update has been successfully downloaded, you can start installing it via the Home Connect™ app if you are on your local area network.

The Home Connect™ app will inform you once installation is complete.

Notes:

- You can continue to use your appliance as normal while updates are downloading.
- Depending on your personal settings in the app, software updates can also be set to download automatically.
- We recommend that you install security updates as soon as possible.

Care and maintenance

▲ WARNING

- Children should not be left alone or unattended in an area where appliances are in use.
 - During the self-clean cycle, exterior surfaces may become hotter than usual. Parts of the appliance may become potentially harmful to children, and to persons who lack adult knowledge of appliances and lack adult reactions to potentially harmful conditions. Keep these individuals away during self-clean and while the appliance is in use.
 - The elimination of soil during self-cleaning may facilitate the emission of small amounts of chemicals or other substances that may be harmful upon sufficient exposure. To minimize exposure to these substances, provide good ventilation with an open window, or use a ventilation fan or hood.
 - For the self-cleaning cycle of your range, remove small animals and birds from the kitchen and surrounding areas. Open a nearby window for additional ventilation. During self-clean, fumes are released that may be harmful.
-

Brand names

- The use of brand names is intended only to indicate a type of cleaner. This does not constitute an endorsement.
- The omission of any brand name cleaner does not imply its adequacy or inadequacy.
- Many products are regional in distribution and can be found in local markets.
- It is imperative that all cleaning products be used in strict accordance with the instructions on its package.

About self-clean

- The self-cleaning mode of your new range features pyrolytic self-cleaning. When set to the self-clean mode, the oven reaches a high temperature, approximately 850°F (454°C), that burns off the food soil.
- When the oven is set for self clean, the standard rangetop burners and the electric griddle and grill may be used. The burners having the ExtraLow® feature cannot be used.
- It is common to see smoke and/or flames during the clean cycle, depending on the content and amount of soil remaining in the oven. If a flame persists, turn off the oven and allow it to cool before opening the door to wipe up the excessive food soil.

- At the end of the clean cycle, some gray ash or burned residue may remain inside the oven. This is a mineral deposit that does not burn or melt. The amount of ash depends on how heavily soiled the oven was before it was cleaned. When the oven is cold, it is easily removed using a damp paper towel, sponge, or cloth.

Before self-cleaning the oven

DO NOT USE OVEN CLEANERS – No commercial oven cleaner or oven liner protective coating of any kind should be used in or around any part of the oven.

To reduce flare ups and excess smoke wipe out puddles of grease and any loose soil that can be easily removed. Remove any soil that is outside the door seal area. This appliance is designed to clean the oven interior and the portion of the door that is inside the oven. The outer edges of the door and the frame surrounding the front of the oven are not in the cleaning zone. Wipe this area clean.

BEFORE SETTING THE OVEN TO SELF-CLEAN

- Remove all utensils.
- Remove racks and rack guides.
- Clean the oven front frame and outer door edges.
- Wipe up large spillovers and grease.
- Be sure the light bulbs and glass covers are in place.
- Turn on the ventilator hood above the range and leave it on until the oven has completed the self-clean cycle.

Self-clean

Self-cleaning (select models)

To set self-clean on 30" dual fuel Harmony series models

1. Remove all utensils, racks, and rack guides. Ensure the oven door is shut.
2. Turn the mode knob to **SELF CLEAN**.
3. Turn the temperature knob to **CLEAN**.
 - Self-clean duration is 2 hours.

To set self-clean on dual fuel models with a display

1. Remove all utensils, racks, and rack guides. Ensure the oven door is shut.
2. Turn the mode knob to **SELF CLEAN** and the temperature knob to **CLEAN**.

- Press the right \rangle to set the desired clean level and press **ENTER**.

Soil level	Duration (excluding cool off)
Low	1 ½ hours
High	3 hours

- After the information text, press **ENTER**.



NOTE: The door closing process takes approximately 20 seconds to complete, at which time the door becomes locked. Check to make certain the door is locked.

At the end of the clean cycle

▲ CAUTION

The interior of the oven will still be at baking temperatures when the automatic lock cycles to its open position and the oven door can be opened.

The door latch will open automatically when the oven is below 500°F (260°C) and the automatic Door Lock completes its 20 second cycle to the open position.

- Turn the mode knob to **OFF**.
- Turn the temperature knob to **OFF**.

To set end time of self-clean

- Remove all utensils, racks, and rack guides. Ensure the oven door is shut.
- Turn the mode knob to **SELF CLEAN**.
- Press the right \langle or \rangle to set the desired clean level and press **ENTER**.
- Press **TIMERS**, press the left \langle or \rangle , and select **END TIMER**.
- Press the right \langle or \rangle to set the **END TIMER**, and press **ENTER**.
- After the information text, press **ENTER**.

NOTES:

- After self-clean completes its cycle, the self-clean function will be prevented from running again for a period of 24 hours.
- If the user tries to enable a self-clean function in an oven where the self-clean function has been restricted, the oven lights will blink on and off in 2-second intervals to indicate to the user that the function is not available. User must turn the knobs to **OFF** to cease the blinking lights.

Appliance cleaning tips

▲ CAUTION

Avoid cleaning any part of the range while it is hot.

- The porcelain enamel finish is acid resistant, but not acid proof. Acidic foods, such as citrus juices, tomatoes, rhubarb, vinegar, alcohol or milk, should be wiped up and not allowed to bake onto the porcelain during the next use.
- The heating elements in the oven do not require cleaning. The elements burn themselves clean when the oven is in use.

When cleaning this appliance

- Use the mildest cleaning procedure that will do the job efficiently and effectively. Some cleaners of the same type are harsher than others. Try on a small inconspicuous area first.
- Always rub metal finishes in the direction of the polish lines for maximum effectiveness and to avoid marring the surface.
- Use only clean soft cloths, sponges, paper towels, fibrous brushes, plastic, non-metal or steel wool soap pads for cleaning and scouring, as recommended on the chart.
- Most exterior parts of this appliance can be cleaned with hot sudsy water (except the various items specifically identified otherwise). When rinsing is required, rinse thoroughly.
- Always wipe dry immediately to avoid water marks.
- DO NOT USE CHLORINE BASED CLEANERS.**

Cleaning recommendations

Part/material	Cleaning notes
Burner base / brass Burner cap / cast iron	<ul style="list-style-type: none"> • A stiff nylon bristle tooth brush can be used to clean port openings. • After cleaning, make sure that the burner cap is correctly seated on the burner base. • DO NOT scratch or gouge the port openings of burner cap. • Suggested cleaners; rinse and dry immediately: <ul style="list-style-type: none"> -- Hot water and detergent -- Bon-ami[®] -- Barkeepers Friend[®] -- Wright's[®] All Purpose Brass Polish -- Kleen King[®]
Bezels and control knobs / chrome, metal	<ul style="list-style-type: none"> • DO NOT soak knobs. • DO NOT force knobs onto wrong valve shaft. • Suggested cleaners; rinse and dry immediately: <ul style="list-style-type: none"> -- Hot water and detergent
Broil pan / porcelain enamel	<ul style="list-style-type: none"> • To loosen cooked on food, squirt with liquid detergent and cover with wet paper towels. Allow to stand. • Suggested cleaners; rinse and dry immediately: <ul style="list-style-type: none"> -- Hot water and detergent -- Vinegar and water -- Dishwasher safe -- Bar Keeper's Friend[®] -- Soft Scrub[®] -- Bon-ami[®] -- Soap-filled fiber or steel wool pads
Ceramic briquettes, briquette basket, and grill drip tray	<ul style="list-style-type: none"> • Suggested cleaning for ceramic briquettes; <ol style="list-style-type: none"> 1) Gently place grease-saturated ceramic briquettes in a 6 quart or larger pot. 2) Fill the pot with clean water so that all ceramic briquettes are covered at least ½" deep. 3) Bring the water to a steady boil. Once reaching a steady boil, continue to boil for 10 minutes. 4) Remove heat and allow ceramic briquettes to cool to a safe temperature. 5) Pour water off of ceramic briquettes and pat them dry on old towels or paper towels. 6) Allow ceramic briquettes to air dry for at least two hours. Some visible grease stains may remain on briquettes after cleaning. 7) Reassemble clean, dry briquettes back into the grill before using the grill again. • New ceramic briquettes can be purchased from the Thermador eShop (order number PABRICKBKN). See the back cover for support information. ▲ CAUTION: Ceramic briquettes must be replaced when they begin to turn black. This means that they are saturated with fat and may smoke heavily during operation or the fat may catch fire. • Suggested cleaners for basket and drip tray; rinse and dry immediately: <ul style="list-style-type: none"> -- Hot water and detergent -- Dishwasher safe
Door(s) / stainless steel	<ul style="list-style-type: none"> • Use care to keep cleaners and water away from the door vents. If water or cleaners spill into the vents, water may streak the glass inside.

Part/material	Cleaning notes
Exterior finish / stainless steel	<ul style="list-style-type: none"> • Stainless steel resists most food stains and pit marks providing the surface is kept clean and protected. Never allow food stains or salt to remain on stainless steel for any length of time. • Wipe off any smoke residue that remains on the front frame with Fantastik® or Bar Keeper's Friend® cleaners. If stain remains, use a mild liquid cleanser. The amount of smoke stain is directly related to the amount of food soil left in the oven at the time of self-cleaning. Clean the oven often. • Rub lightly in the direction of polish lines. • Chlorine or chlorine compounds in some cleaners are corrosive to stainless steel. Check ingredients on label. • Suggested cleaners; rinse and dry immediately: <ul style="list-style-type: none"> -- Hot water and detergent -- Fantastik® -- Siege® Stainless Steel and Aluminum Cleaner -- Kleen King® Stainless Steel Liquid Cleaner -- Cleaner polish: Stainless Steel Magic® to protect the finish from staining and pitting; enhances appearance. -- Thermador Stainless Steel Conditioner (00576697) -- For hard water spots use household vinegar. • For heat discoloration; rinse and dry immediately: <ul style="list-style-type: none"> -- Barkeepers Friend® -- Wright's® All Purpose Brass Polish
Grates / porcelain enamel on cast iron	<ul style="list-style-type: none"> • The grates are heavy; use care when lifting. Place on a protected surface. DO NOT clean grates in a self-cleaning oven. • The rough texture of the grate can sometimes remove aluminum deposits from the bottom of pans and fill in areas between the high spots on the surface of the grate. Use special care when cooking with copper and aluminum pots and pans as this type of cookware can sometimes leave metal deposits on the grates. • Blisters/ crazing/ chips are common due to the extreme temperatures on grate fingers and rapid temperature changes. • Acidic and sugar-laden spills deteriorate the enamel. Remove soil immediately once the grate has cooled. • Abrasive cleaners, used too vigorously or too often can eventually mar the enamel. • Suggested cleaners; rinse and dry immediately: <ul style="list-style-type: none"> -- Hot water and detergent -- Fantastik® -- Bon-ami® -- Soft Scrub® • Stubborn stains; rinse and dry immediately: <ul style="list-style-type: none"> -- Soap-filled steel wool pad -- Lestoil® -- Other degreaser • Metal deposits: <ul style="list-style-type: none"> -- Scotch Brite™ scrub sponge -- Course steel wool pad

Part/material	Cleaning notes
Griddle / aluminum with non-stick coating	<ul style="list-style-type: none"> • NEVER flood a hot griddle with cold water. This can warp or crack the aluminum plate. • DO NOT clean any part of the griddle in a self-cleaning oven. • Wipe griddle surface with warm soapy water then rinse with warm water. Wipe dry with a soft cloth. • If food particles stick to the griddle plate, remove with a mild abrasive cleaner such as Soft Scrub®. • Suggested cleaners; rinse and dry immediately: <ul style="list-style-type: none"> -- Hot water and detergent -- Dishwasher safe -- Soft Scrub®
Griddle grease tray	<ul style="list-style-type: none"> • Remove tray after grease has cooled. Be careful not to fill it so full that tipping to remove it spills the grease. Discard grease into a grease resistant container for disposal. • Clean the grease tray after each use. • Suggested cleaners; rinse and dry immediately: <ul style="list-style-type: none"> -- Hot water and detergent -- Dishwasher safe -- Soft Scrub®
Grill grates / porcelain enamel on cast iron	<ul style="list-style-type: none"> • Clean the grates after each use. • Place the grill grate into a sink and pour boiling hot water over the grate. Lay a dish towel on top of the grate and pour more hot water over the towel. Allow the water to soak into the residue. Scrape away debris with a soap-filled scouring pad. • Stubborn soil: Soft Scrub®. • Suggested cleaners; rinse and dry immediately: <ul style="list-style-type: none"> -- Hot water and detergent -- Dishwasher safe -- Soft Scrub® -- Soft brass wire brush for stubborn residues. Hard steel wire brushes could scratch the porcelain grate coating and cause premature oxidation of the grate. • Stubborn stains; rinse and dry immediately: <ul style="list-style-type: none"> -- Soap-filled steel wool pad -- Lestoil® -- Other degreaser
Igniters / ceramic	<ul style="list-style-type: none"> • DO NOT use sharp tools to scrape the igniters. The igniters are fragile. If an igniter is damaged, it may not light the burner. • Suggested cleaners: <ul style="list-style-type: none"> -- Cotton swab dampened with soapy water -- Fantastik®

Part/material	Cleaning notes
Oven cavity / porcelain enamel on steel	<ul style="list-style-type: none"> • Porcelain enamel is acid resistant, but not acid proof. Acid foods such as citrus juices, tomatoes, rhubarb, vinegar, alcohol or milk, should be wiped up and not allowed to bake onto the porcelain during the next use. Over a period of time, the porcelain may craze (get fine hairlike lines), this will not affect oven performance. • Apply cleaner to a damp sponge or cloth. Rub lightly. Rinse thoroughly and dry. If food has burned onto the oven and is difficult to remove, the spots can be soaked with a cloth saturated in a suggested cleaner. Close the door and allow it to soak until the food soil can be easily removed with a damp soapy cloth or mild abrasive. • Suggested cleaners; rinse and dry immediately: <ul style="list-style-type: none"> -- Hot water and detergent -- Bar Keeper's Friend[®] -- Vinegar and water -- Soft Scrub[®] -- Bon-ami[®]
Oven racks and rack guides	<ul style="list-style-type: none"> • Some commercial oven cleaners cause darkening and discoloration. Test the cleaner on a small part of the rack and check for discoloration before cleaning the entire rack. • Oven racks will discolor if left in oven during self clean. • If the racks do not slide easily after being cleaned, dampen a paper towel with a small amount of cooking oil and rub it lightly over the side rails. • Suggested cleaners; rinse and dry immediately: <ul style="list-style-type: none"> -- Hot water and detergent -- Vinegar and water -- Dishwasher safe -- Bar Keeper's Friend[®] -- Soft Scrub[®] -- Bon-ami[®] • Stubborn stains; rinse and dry immediately: <ul style="list-style-type: none"> -- Soap-filled fiber or steel wool pad
Surface spill trays / porcelain enamel	<ul style="list-style-type: none"> • The porcelain enamel finish is acid resistant, but not acid proof. Acidic foods, such as citrus juices, tomatoes, rhubarb, vinegar, alcohol or milk, should be wiped up and not allowed to bake onto the porcelain during the next use. • If mild abrasive cleaners are used, rub lightly as these cleansers may scratch the finish. • For burned on foods, soap filled fiber or steel wool pads may be used but care must be taken as these may scratch the finish. • Suggested cleaners; rinse and dry immediately: <ul style="list-style-type: none"> -- Hot water and detergent -- Soft Scrub[®] -- Bar Keeper's Friend[®] -- Bon-ami[®] • Stubborn stains; rinse and dry immediately: <ul style="list-style-type: none"> -- Soap-filled fiber or steel wool pad
Seal / door gasket	<ul style="list-style-type: none"> • Spray on cleaner and blot dry with a cloth. DO NOT rub. Do not move, remove or damage mesh. • Suggested cleaners; rinse and dry immediately: <ul style="list-style-type: none"> -- Hot water and detergent -- Fantastik[®]

Do-it-yourself maintenance

Oven light bulb replacement

⚠ CAUTION

- Make sure the appliance and lights are cool and power to the appliance has been turned off before replacing the light bulb(s). Failure to do so could result in electrical shock or burns.
- The covers must be in place when using the appliance.
- The covers serve to protect the light bulb from breaking.
- The covers are made of glass. Handle carefully to avoid breaking. Broken glass could cause an injury.
- The light socket is live when the door is open.

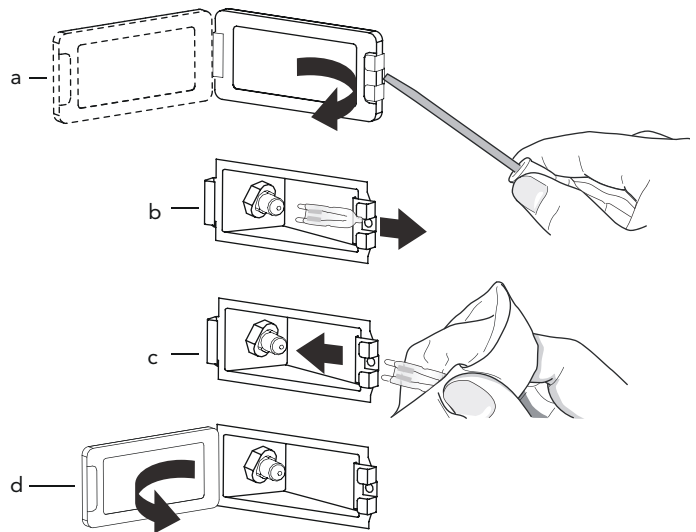
Replace only with a recommended light bulb designed for appliance oven use. **DO NOT** use a standard household light bulb in any oven. Call Thermador Customer Care Center at 1-800-735-4328 or your nearest Thermador dealer to determine the proper replacement bulb for your range. You will need to know your range's model number and serial number.

To replace the light bulb

Use only 10W, 12V G4 light bulbs. Use a clean, dry cloth to handle halogen light bulbs. This will increase the life of the bulb.

1. Turn off circuit breaker.
2. Remove the oven racks.
3. Slide the tip of a flat blade screw driver between the holder clip and the lamp housing (figure, a).
4. Support the glass lens cover with fingers along the bottom edge to prevent the cover from falling to the bottom of the oven. Gently twist the flat blade screw driver to loosen the glass lens cover.

5. Remove the glass lens cover.
6. Remove the bulb by grasping and sliding the bulb straight back until the two prongs have cleared the ceramic holder (figure, b).
7. **DO NOT** touch the glass of the new replacement bulb with your fingers. It may cause the bulb to fail when it first lights. Grasp the replacement bulb with a clean dry cloth. Locate the two prongs in the ceramic holder, gently poking until the two prongs locate in the ceramic socket.
8. Press down to seat the bulb (figure, c).
9. Slide the protective lens into the holder clip and push the other end until the fixing clip snaps back into the housing (figure, d).



10. Turn on circuit breaker.

Before calling for service

Before calling for service, check the following to avoid unnecessary service charges.

Troubleshooting

Symptom	Possible cause	Remedy
Intermittent igniter sparking	<ul style="list-style-type: none">• Ceramic igniter is wet or dirty.• Burner ports are clogged.	<ul style="list-style-type: none">• Carefully dry or clean igniter.• Clean ports on burner cap with a wire, a needle or straightened paper clip.
More than four clicks of igniter before lighting	<ul style="list-style-type: none">• Improper fit of burner cap onto burner base.	<ul style="list-style-type: none">• Align burner cap properly on burner base.
Constant igniter sparking	<ul style="list-style-type: none">• Range is not properly grounded.• Electrical power supply is incorrectly polarized.	<ul style="list-style-type: none">• Refer to the Installation Instructions. Have a qualified electrician ground the range properly.
Igniters sparking but no flame ignition.	<ul style="list-style-type: none">• Gas supply valve is in "OFF" position.	<ul style="list-style-type: none">• Restore gas supply to the unit.
Range will not operate (lights, oven, and surface burners will not come on)	<ul style="list-style-type: none">• No power to the unit.• Oven is in Sabbath mode.	<ul style="list-style-type: none">• Check for open circuit breaker.• Check that power supply line connection is connected to the proper voltage.• Verify that the oven is not in sabbath mode. See the "Using the oven" section of the Use and Care Guide.
Oven operates on bake but fails to operate on timed bake	<ul style="list-style-type: none">• Timer improperly set.	<ul style="list-style-type: none">• Set timer as outlined in the Use and Care Guide.
Oven light fails to come on.	<ul style="list-style-type: none">• Oven light burned out.	<ul style="list-style-type: none">• Replace the oven light as outlined in the Use and Care Guide.
Door will not open.	<ul style="list-style-type: none">• Oven is still in self-clean mode.	<ul style="list-style-type: none">• If oven is hot, door latch will release when safe temperature is reached.
Foods in oven are not cooking sufficiently.	<ul style="list-style-type: none">• Rack position is incorrect.• Improper cookware.• Oven door may not be sealing properly.• Appliance not level.	<ul style="list-style-type: none">• See the "Using the oven" section of the Use and Care Guide.• Refer to "Cookware recommendations" in the Use and Care Guide.• Clean the oven door gasket. Replace if worn.• Refer to the Installation Instructions for instructions on how to level the appliance.
Hot air is coming from the appliance.	<ul style="list-style-type: none">• It is normal for the cooling process to push heated air out into the room when the oven is on.• During different modes the fan speed will increase and decrease.	<ul style="list-style-type: none">• This is normal.

Service information

⚠ CAUTION

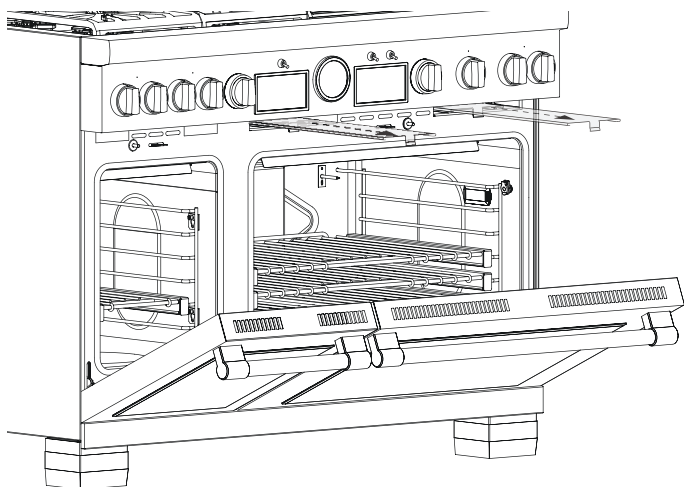
Before removing the toe kick panel, disconnect the range from the electrical power supply. Reinstall the toe kick panel before reconnecting the range to the power supply and operating the range.

Electric wiring diagrams and schematics

The electric wiring diagrams and schematics are attached behind the toe kick, and should not be removed except by a service technician, then replaced after service.

Data rating label

The data rating label shows the model and serial number of your appliance. The slide-out plate can be accessed by first removing the kick panel, as shown below.



For handy reference, copy the information below from the data rating label. Keep your invoice for warranty validation.

Model number _____

Serial number _____

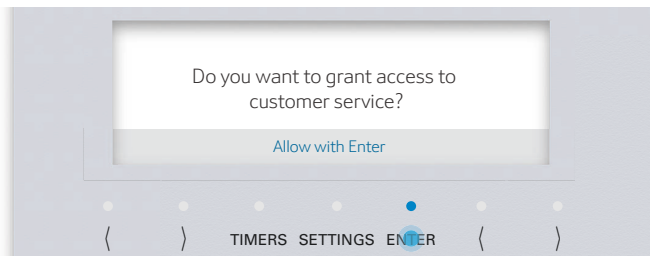
Date of purchase _____

📶 Remote customer service connection

It is possible for customer service to access the appliance via the Home Connect™ connection in the event of an error.

To grant customer service access to the appliance

1. Contact customer support (see back page). Follow the instructions given to you by the technician.
 - The display screen as customer support tries to gain access to the appliance.



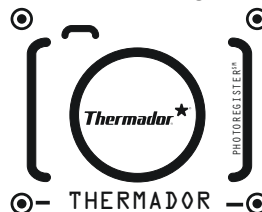
2. Press **ENTER** to allow the customer support access.
 - Once connection is established the Wi-Fi icon is shown in the status bar.


Product registration

Register your BSH product to ensure timely service and access to your product related information.

You may register your product through one of the following ways:

- Register with your phone (USA only).
 1. Take a photo of the camera icon on the registration card, including the points (Ⓞ).



2.  Text the photo to 21432. (USA only, text and data rates may apply.)
- Mail in the completed product registration card to the address printed on the card.
 - Register your product online at www.thermador.com.
 - Call Thermador customer service at 1-800-735-4328.

Statement of limited product warranty

What this warranty covers and who it applies to

The limited warranty provided by BSH Home Appliances ("Thermador") in this Statement of Limited Product Warranty applies only to the Thermador appliance sold to you, the first using purchaser, provided that the Product was purchased:

- For your normal, household (non-commercial) use, and has in fact at all times only been used for normal household purposes.
- New at retail (not a display, "as is", or previously returned model), and not for resale, or commercial use.
- Within the United States or Canada, and has at all times remained within the country of original purchase.

The warranties stated herein apply to the original purchaser of the product warranted herein and to each succeeding owner of the product purchased for ordinary home use during the term of the warranty.

Please make sure to return your registration card; while not necessary to effectuate warranty coverage, it is the best way for Thermador to notify you in the unlikely event of a safety notice or product recall.

How long the warranty lasts

Thermador warrants that the Product is free from defects in materials and workmanship for a period of seven hundred and thirty (730) days from the date of purchase. The foregoing timeline begins to run upon the date of purchase, and shall not be stalled, tolled, extended, or suspended, for any reason whatsoever.

This Product is also warranted to be free from cosmetic defects in material and workmanship (such as scratches of stainless steel, paint/porcelain blemishes, chips, dents, or other damage to the finish) of the Product, for a period of sixty (60) days from the date of purchase or closing date for new construction. This cosmetic warranty excludes slight color variations due to inherent differences in painted and porcelain parts, as well as differences caused by kitchen lighting, product location, or other similar factors. This cosmetic warranty specifically excludes any display, floor, "As Is", or "B" stock appliances.

Repair/replace as your exclusive remedy

During this warranty period, Thermador or one of its authorized service providers will repair your Product without charge to you (subject to certain limitations stated herein) if your Product proves to have been manufactured with a defect in materials or workmanship. If reasonable attempts to repair the Product have been made without success, then Thermador will replace your Product (upgraded models may be available to you, in Thermador's sole discretion, for an additional charge). All removed parts and components shall become the property of Thermador at its sole option. All replaced and/or repaired parts shall assume the identity of the original part for purposes of this warranty and this warranty shall not be extended with respect to such parts.

Thermador's sole liability and responsibility hereunder is to repair manufacturer-defective Product only, using a Thermador authorized service provider during normal business hours.

For safety and property damage concerns, Thermador highly recommends that you do not attempt to repair the Product yourself, or use an unauthorized servicer; Thermador will have no responsibility or liability for repairs or work performed by a non-authorized servicer. If you choose to have someone other than an authorized service provider work on your Product, THIS WARRANTY WILL AUTOMATICALLY BECOME NULL AND VOID. Authorized service providers are those persons or companies that have been specially trained on Thermador products, and who possess, in Thermador's opinion, a superior reputation for customer service and technical ability (note that they are independent entities and are not agents, partners, affiliates or representatives of Thermador). Notwithstanding the foregoing, Thermador will not incur any liability, or have responsibility, for the Product if it is located in a remote area (more than 100 miles from an authorized service provider) or is reasonably inaccessible, hazardous, threatening, or treacherous locale, surroundings, or environment; in any such event, if you request, Thermador would still pay for labor and parts and ship the parts to the nearest authorized service provider, but you would still be fully liable and responsible for any travel time or other special charges by the service company, assuming they agree to make the service call.

Out of warranty product

Thermador is under no obligation, at law or otherwise, to provide you with any concessions, including repairs, pro-rates, or Product replacement, once this warranty has expired.

Warranty exclusions

The warranty coverage described herein excludes all defects or damage that are not the direct fault of Thermador, including without limitation, one or more of the following:



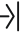
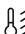

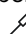


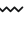





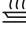

- Use of the Product in anything other than its normal, customary and intended manner (including without limitation, any form of commercial use, use or storage of an indoor product outdoors, use of the Product in conjunction with air or water-going vessels).
- Any party's willful misconduct, negligence, misuse, abuse, accidents, neglect, improper operation, failure to maintain, improper or negligent installation, tampering, failure to follow operating instructions, mishandling, unauthorized service (including self-performed "fixing" or exploration of the appliance's internal workings).
- Adjustment, alteration or modification of any kind.
- A failure to comply with any applicable state, local, city, or county electrical, plumbing and/or building codes, regulations, or laws, including failure to install the product in strict conformity with local fire and building codes and regulations.
- Ordinary wear and tear, spills of food, liquid, grease accumulations, or other substances that accumulate on, in, or around the Product.
- Any external, elemental and/or environmental forces and factors, including without limitation, rain, wind, sand, floods, fires, mud slides, freezing temperatures, excessive moisture or extended exposure to humidity, lightning, power surges, structural failures surrounding the appliance, and acts of God.


In no event shall Thermador have any liability or responsibility whatsoever for damage to surrounding property, including cabinetry, floors, ceilings, and other structures or objects around the Product. Also excluded from this warranty are products on which the serial numbers have been altered, defaced, or removed; service visits to teach you how to use the Product, or visits where there is nothing wrong with the Product; correction of installation problems (you are solely responsible for any structure and setting for the Product, including all electrical, plumbing or other connecting facilities, for proper foundation/flooring, and for any alterations including without limitation cabinetry, walls, floors, shelving, etc.); and resetting of breakers or fuses.

TO THE EXTENT ALLOWED BY LAW, THIS WARRANTY SETS OUT YOUR EXCLUSIVE REMEDIES WITH RESPECT TO PRODUCT, WHETHER THE CLAIM ARISES IN CONTRACT OR TORT (INCLUDING STRICT LIABILITY, OR NEGLIGENCE) OR OTHERWISE. THIS WARRANTY IS IN LIEU OF ALL OTHER WARRANTIES, WHETHER EXPRESS OR IMPLIED. ANY WARRANTY IMPLIED BY LAW, WHETHER FOR MERCHANTABILITY OR FITNESS FOR A PARTICULAR PURPOSE, OR OTHERWISE, SHALL BE EFFECTIVE ONLY FOR THE PERIOD THAT THIS EXPRESS LIMITED WARRANTY IS EFFECTIVE. IN NO EVENT WILL THE MANUFACTURER BE LIABLE FOR CONSEQUENTIAL, SPECIAL, INCIDENTAL, INDIRECT, "BUSINESS LOSS", AND/OR PUNITIVE DAMAGES, LOSSES, OR EXPENSES, INCLUDING WITHOUT LIMITATION TIME AWAY FROM WORK, HOTELS AND/OR RESTAURANT MEALS, REMODELLING EXPENSES IN EXCESS OF DIRECT DAMAGES WHICH ARE DEFINITELY CAUSED EXCLUSIVELY BY THERMADOR, OR OTHERWISE. SOME STATES DO NOT ALLOW THE EXCLUSION OR LIMITATION OF INCIDENTAL OR CONSEQUENTIAL DAMAGES, AND SOME STATES DO NOT ALLOW LIMITATIONS ON HOW LONG AN IMPLIED WARRANTY LASTS, SO THE ABOVE LIMITATIONS MAY NOT APPLY TO YOU. THIS WARRANTY GIVES YOU SPECIFIC LEGAL RIGHTS, AND YOU MAY ALSO HAVE OTHER RIGHTS WHICH VARY FROM STATE TO STATE.

No attempt to alter, modify or amend this warranty shall be effective unless authorized in writing by an officer of BSH.

Table des MATIÈRES

Sécurité	59
Instructions importants de sécurité	59
Description	66
Identification de la cuisinière	66
Avant de commencer	71
Mise en route	71
Utilisation de la table de cuisson	73
Brûleurs STAR® scellés	73
Brûleurs ExtraLow®	74
Brûleur POWERBOOST®	74
Plaque chauffante électrique	80
Gril électrique	83
Utilisation du four	86
Symboles et descriptions	86
Configuration utilisation	88
Réglage de la four	89
Minuterics   	89
Préchauffage rapide 	90
Verrouillage du panneau 	91
Conversion convection	91
Décalage de température	91
Sonde thermique 	92
Sabbat 	93
Démarrage à distance 	95
Tirer le meilleur parti de l'appareil	96
Position des grilles pour la cuisson	96
Cuisson =	96
Griller 	97
Gril à convection 	98
Cuisson à convection 	98
Convection véritable 	100
Apprêt 	100
Rôtissage =	101
Rôtissage par convection 	101
Garder-au-chaud 	102
Home Connect™	103
Configuration	103
Entretien et nettoyage	106
Autonettoyage du four 	107

Conseils de nettoyage	108
Entretien à faire soi-même	114
Changement de l'ampoule du four	114
Avant d'appeler le service technique	115
Dépannage	115
Information pour le service technique	116
Enregistrement de produit	116
Connexion pour réparation à distance 	117
Énoncé de garantie limitée du produit	118
Entretien, pièces, et accessoires	page versa

Définitions de SÉCURITÉ

▲ AVERTISSEMENT

Ceci indique que le non respect de cet avertissement peut entraîner des blessures graves, voire la mort.

▲ ATTENTION

Ceci indique que le non respect de cet avertissement peut entraîner des blessures légères ou modérées.

NOTICE : Ceci indique que la non-conformité à cet avis de sécurité peut entraîner des dégâts à l'appareil ou à la propriété.

Note : Ceci vous avertit que d'importantes informations et/ou conseils sont fournis.

Cet appareil électroménager de THERMADOR™

est fait par BSH Home Appliances Ltd

6696 Financial Drive, Unit 3

Mississauga, ON L5N 7J6

Des questions?

1-800-735-4328

www.thermador.ca

Nous attendons de vos nouvelles!


⚠ INSTRUCTIONS IMPORTANTES DE SÉCURITÉ

LIRE TOUTES LES INSTRUCTIONS AVANT DE PROCÉDER

Lisez attentivement

INSTALLATEUR : Veuillez laisser ces instructions d'installation avec l'appareil pour le propriétaire.

PROPRIÉTAIRE : Veuillez conserver ces instructions pour consultation ultérieure. Utiliser cet appareil uniquement aux fins indiquées dans ce manuel.

<p>AVERTISSEMENT</p>  <p>L'information fournie dans le présent manuel doit être très rigoureusement respectée, sous peine d'incendie ou d'explosion entraînant des dommages, des blessures ou la mort.</p>
<p>-- Ne stockez pas et n'utilisez pas d'essence ou autres ou la compagnie distributrice de gaz.</p> <p>-- SI VOUS SENTEZ UNE ODEUR DE GAZ :</p> <ul style="list-style-type: none">• N'allumez aucun appareil.• Ne touchez pas aux interrupteurs électriques.• N'utilisez pas les téléphones du bâtiment.• Appelez immédiatement votre compagnie de gaz de chez un voisin. Suivez les instructions de la compagnie.• Si vous n'arrivez pas à contacter la compagnie de gaz, appelez les pompiers. <p>-- L'installation et les réparations doivent être réalisées par un installateur qualifié, un centre de réparation agréé ou la compagnie de gaz.</p>

AVERTISSEMENT

Correctement entretenu, votre électroménager neuf a été conçu pour être sécuritaire et fiable. Lisez attentivement toutes les instructions avant l'utilisation. Ces précautions réduiront le risque de brûlure, d'électrocution, d'incendie et de blessures corporelles. Lorsque vous utilisez des appareils électroménagers de cuisine, il importe de suivre des précautions de sécurité de base, y compris celles indiquées dans les pages suivantes.

AVERTISSEMENT



DANGER DE BASCULEMENT

Toutes les cuisinières peuvent basculer et causer une blessure. Pour éviter le basculement accidentel de la cuisinière, fixez-la au sol au moyen du dispositif anti-basculade fourni.

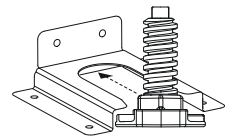


L'appareil risque de basculer si le dispositif n'est pas installé conformément aux présentes instructions. Pour toutes les cuisinières, un dispositif anti-basculade doit être installé conformément aux présentes instructions.

Un enfant ou un adulte pourrait faire basculer l'appareil et perdre la vie.

Ne faites pas fonctionner l'appareil si le support anti-basculade n'est pas installé et qu'il ne retient pas l'appareil. La non-observation de ces instructions peut entraîner la mort ou causer de graves brûlures à des enfants ou des adultes.

En déplaçant la cuisinière pour la nettoyer, la réparer ou pour toute autre raison, assurez-vous qu'elle s'est bien enclenchée dans le dispositif anti-basculade lorsque vous la remettez en place. Autrement, si l'appareil est utilisé de façon anormale (par exemple, si quelqu'un monte, s'assoie ou s'appuie sur une porte ouverte), la cuisinière risque de basculer. Le basculement de la cuisinière ou d'un liquide chaud se trouvant sur la surface de cuisson pourrait causer des blessures corporelles.



⚠ INSTRUCTIONS IMPORTANTS DE SÉCURITÉ

LIRE TOUTES LES INSTRUCTIONS AVANT DE PROCÉDER

AVERTISSEMENT

Tout installation, ajustement, modification, entretien ou nettoyage inadéquat peut causer des blessures ou des dommages matériels. Consultez le présent manuel. Pour obtenir de l'assistance ou des renseignements supplémentaires, consultez un installateur qualifié, un centre de réparation, le fabricant (ou le détaillant) ou une société gazière.

AVERTISSEMENT

Pour assurer une bonne ventilation de la cuisinière n'enlevez PAS les pattes de la cuisinière.

AVERTISSEMENT

Avant de procéder au nettoyage ou à l'entretien de l'appareil, éteignez l'alimentation du panneau électrique et bloquez le dispositif de déconnexion pour éviter que l'alimentation électrique ne soit accidentellement rallumée. Si le dispositif de sectionnement d'électricité ne peut être bloqué, attachez un avertissement (comme une étiquette) bien en vue sur le tableau électrique.

Vérification du type de gaz

Gaz naturel — 7 po (17,4 mb) min. à 14 po (34,9 mb) max. de colonne d'eau

Gaz propane — 11 po (27,4 mb) min. à 14 po (34,9 mb) max. de colonne d'eau

Vérifiez le type de gaz fourni à votre emplacement. Assurez-vous que l'appareil est raccordé au type de gaz pour lequel il est certifié. Reportez-vous à l'étiquette de données.

AVERTISSEMENT

Si un kit de conversion au gaz est utilisé, cette trousse de conversion doit être installée par une agence de réparation qualifiée en conformité aux directives du fabricant et de tous les autres codes et exigences en vigueur de l'autorité ayant juridiction. Si les directives ne sont pas suivies à la lettre, il y a un risque d'incendie, d'explosion ou de génération de monoxyde de carbone pouvant entraîner des dommages matériels, des blessures ou une perte de vie. L'agence de réparation qualifiée est responsable de la bonne installation de cette trousse. L'installation n'est pas jugée terminée jusqu'à ce que l'on ait testé l'appareil converti comme précisé dans les directives du fabricant fournies avec la trousse.

ATTENTION

Lorsque vous branchez l'appareil au gaz propane, assurez-vous que le réservoir de gaz propane est muni de son propre mécanisme régulateur à haute pression en plus du régulateur à haute pression fourni avec l'appareil. La pression de gaz maximale ne devrait pas excéder 14,0 pouces de colonne d'eau (34,9 Mb) entre le réservoir de gaz propane et le régulateur à haute pression.

Pour les installations au Massachusetts

1. L'installation doit être réalisée par un entrepreneur qualifié ou accrédité, un plombier ou un installateur de gaz qualifié ou autorisée par l'État, la province ou la région dans laquelle cet appareil est installé.
2. La vanne d'arrêt de gaz doit être pourvue d'une poignée en « T ».
3. La longueur du tuyau de gaz ne doit pas excéder 36 po (914 mm).

S'assurer que l'installation et l'entretien sont effectués correctement. Suivre les instructions du Manuel d'installation accompagnant ce produit. Confier l'installation et la mise à la terre électrique de l'appareil à un technicien qualifié.

Si le brûleur fuit et que du gaz s'en échappe, ouvrez une fenêtre ou une porte. **NE** tentez **PAS** d'utiliser l'appareil avant que le gaz ait eu le temps de se dissiper. Attendez au moins 5 minutes avant d'utiliser l'appareil.

NE PAS réparer ni remplacer toute pièce de l'appareil à moins que cela ne soit spécifiquement recommandé par ce manuel. Toute réparation doit être effectuée par un technicien qualifié.

AVERTISSEMENT

Ne Jamais Faire Fonctionner La Surface De La Table De Cuisson De Cet Appareil Sans Surveillance.

- **Le non-respect de cet avertissement pourrait entraîner un risque d'incendie, d'explosion ou de brûlure qui pourrait provoquer des dommages matériels, des blessures ou un décès.**
 - **En cas d'incendie, se tenir à l'écart de l'appareil et appeler immédiatement les pompiers. NE PAS ESSAYER D'ÉTEINDRE UN INCENDIE DE GRAISSE OU D'HUILE AVEC DE L'EAU.**
-

⚠ INSTRUCTIONS IMPORTANTS DE SÉCURITÉ

LIRE TOUTES LES INSTRUCTIONS AVANT DE PROCÉDER

Exigences électriques

AVERTISSEMENT



EN CAS DE PANNE ÉLECTRIQUE

Si, pour une raison quelconque, un bouton de commande de gaz est allumé et qu'il n'y a pas d'électricité pour actionner les allumeurs électroniques des brûleurs, mettez le bouton à OFF et attendez 5 minutes pour permettre au gaz de se dissiper avant d'allumer manuellement les brûleurs.

Pour allumer manuellement les brûleurs, tenez une allumette allumée près des ports d'un brûleur puis tournez le bouton de commande à HI. Vous pouvez utiliser les brûleurs standards pendant une panne d'électricité, mais vous devez les allumer avec une allumette.

NE tentez **PAS** d'allumer manuellement les brûleurs XLO. Ces brûleurs sont dotés de la fonction Extralow[®] et ne peuvent être allumés manuellement.

L'électroménager doit être mis à la terre en conformité aux codes locaux, ou en l'absence de tels codes, au National Electric Code ANSI/NFPA 70 ou, au Canada, au code canadien de l'électricité CSA C22.1-02.

Débranchez toujours la fiche électrique de la prise murale avant de procéder à l'entretien de l'appareil.

Consultez les exigences d'alimentation électrique et de mise à la terre dans les Instructions d'Installation.

Demandez à l'installateur de vous montrer où se trouvent le disjoncteur et la vanne d'arrêt de gaz pour savoir où et comment couper l'alimentation électrique et l'approvisionnement en gaz de l'appareil.

L'installation et l'entretien doivent être correctement effectués. Suivez les instructions du Instructions d'Installation fourni avec le produit. Assurez-vous qu'un électricien qualifié installe et effectue la mise à la terre de l'appareil.

Cet appareil est conforme à une ou plusieurs des normes et codes de sécurité :

- La norme américaine UL858 régissant les cuisinières électriques domestiques.
- La norme américaine ANSI Z21.1 régissant les appareils électroménagers à gaz.

- La norme canadienne CAN/CGA1.1-M81 régissant les cuisinières à gaz domestiques.
- La norme canadienne CAN/CSA-22.2 No. 61 régissant les cuisinières domestiques.

L'installation doit être conforme aux codes locaux ou, en l'absence de tels codes, au National Fuel Gas Code ANSI Z223.1/NFPA 54 ou, au Canada, au code national CSA B149.1 d'installation du gaz naturel et du propane.

Installation dans une maison préfabriquée (mobile) : L'installation doit être conforme au Manufactured Home Construction and Safety Standard, Titre 24 CFR, Partie 3280 (anciennement le Federal Standard for Mobile Home Construction and Safety, Titre 24, HUD/Partie 280) ou, lorsque cette norme n'est pas applicable, au Standard for Manufactured Home Installations, ANSI/NCSBCS A225.1, ou aux codes locaux, là où il y a lieu.

Installation dans une caravane de parc : L'installation doit être conforme aux codes de l'État ou aux autres codes ou, en l'absence de tels codes, au Standard for Recreational Park Trailers, ANSI A119.5.

Il incombe au propriétaire et à l'installateur de déterminer si des exigences ou des normes additionnelles s'appliquent spécifiquement à l'installation.

Les espaces libres pour les matières non combustibles ne font pas partie de la norme ANSI Z21.1 et ne sont pas mentionnés par la CSA. Un dégagement de moins de 152 mm (6 po) doit être conforme aux codes locaux et/ou par les autorités locales ayant juridiction.

La profondeur maximale de l'armoire installée au-dessus de la table de cuisson est de 13 po (33 cm).

Sécurité des enfants

Lorsque les enfants sont assez âgés pour utiliser l'appareil, il est de la responsabilité des parents ou des tuteurs de veiller à ce que des personnes qualifiées leur enseignent des pratiques sécuritaires.

AVERTISSEMENT

NE rangez **PAS** d'objets attirant l'attention d'enfants au-dessus ou derrière l'appareil. Ils risqueraient d'y monter pour s'en emparer et pourraient se blesser gravement.

⚠ INSTRUCTIONS IMPORTANTES DE SÉCURITÉ

LIRE TOUTES LES INSTRUCTIONS AVANT DE PROCÉDER

NE permettez **PAS** que quiconque grimpe, se mette debout, s'assoit ou se pendre à une pièce de l'appareil. Cela pourrait endommager l'appareil et il pourrait basculer, infligeant possiblement de graves blessures.

NE permettez **PAS** à des enfants d'utiliser l'appareil à moins qu'ils ne soient surveillés de près par un adulte.

Les enfants et les animaux ne devraient pas être laissés seuls ou sans surveillance dans la salle où l'appareil est en cours d'utilisation. Ils ne devraient jamais avoir l'autorisation de jouer près de l'appareil, qu'il soit en cours d'utilisation ou non.

Générales de sécurité

AVERTISSEMENT

Pour éliminer le risque de brûlure ou d'incendie lorsque vous étirez au-dessus des surfaces chauffantes de l'électroménager, il faut éviter d'installer des armoires de rangement au-dessus de la surface de l'électroménager.

AVERTISSEMENT

Pour réduire les risques de blessure lors d'un feu de friture, observez les consignes suivantes :

- Éteignez les flammes avec un couvercle, une plaque à biscuits ou un plateau de métal et éteignez ensuite le brûleur ou l'élément. Prenez garde aux risques de brûlure. Si les flammes ne disparaissent pas immédiatement, évacuez les lieux et appelez le service d'incendie.
 - Ne prenez jamais un poêlon en feu – Vous pourriez vous brûler.
 - **N'UTILISEZ PAS D'EAU** ou un linge à vaisselle mouillé – une violente explosion de vapeur s'ensuivra.
 - Utilisez un extincteur seulement si :
 - Vous savez que vous possédez un extincteur de classe ABC et vous savez vous en servir.
 - Le feu est faible et ne s'est pas répandu depuis son point d'origine.
 - Vous avez appelé le service d'incendie.
 - Vous pouvez sortir facilement de l'endroit où vous combattez le feu.
-

Avertissement issu de la proposition 65 :

Ce produit pourrait contenir un produit chimique reconnu par l'État de la Californie comme cancérigène ou ayant des effets nocifs sur la reproduction. Par conséquent, l'emballage de votre produit pourrait porter l'étiquette suivante, comme requis par la Californie :

AVERTISSEMENT ISSU DE LA PROPOSITION 65 DE L'ÉTAT DE LA CALIFORNIE :

⚠ AVERTISSEMENT

Cancér et dommages à la reproduction – www.P65Warnings.ca.gov .
--

AVERTISSEMENT

POUR RÉDUIRE LES RISQUES DE FEU DE FRITURE

- Ne laissez jamais l'appareil sans surveillance lors de son utilisation à haute température. Les débordements par bouillonnement causent de la fumée et les déversements de graisse qui peuvent prendre feu. Faites chauffer l'huile à des températures basses ou moyennes.
 - Allumez toujours la hotte lorsque vous cuisinez à haute température ou que vous faites flamber des aliments (c.-à-d. crêpes Suzette, cerises jubilé, bœuf flambé au poivre).
 - Nettoyez fréquemment les ventilateurs. Ne laissez pas la graisse s'accumuler sur les ventilateurs ou les filtres.
 - Utilisez des poêlons aux dimensions adéquates. Utilisez toujours une batterie de cuisine correspondant aux dimensions de l'élément ou du brûleur.
-

N'utilisez **JAMAIS** la appareil comme espace de rangement. Les matières inflammables pourraient prendre feu et les objets en plastique pourraient fondre ou prendre feu. N'accrochez rien sur l'appareil. Certains tissus peuvent facilement s'enflammer.

Si la appareil est placée près d'une fenêtre, assurez-vous que les courants d'air ne peuvent pas pousser les rideaux jusqu'au-dessus ou à proximité des brûleurs; ils pourraient s'enflammer.

Assurez-vous qu'il y a **TOUJOURS** un détecteur de fumée fonctionnel près de la cuisine. Si vos vêtements ou vos cheveux prennent feu, jetez-vous immédiatement par terre et roulez pour éteindre les flammes.

⚠ INSTRUCTIONS IMPORTANTS DE SÉCURITÉ

LIRE TOUTES LES INSTRUCTIONS AVANT DE PROCÉDER

Ayez un extincteur approprié à portée de la main, visible et facile d'accès, tout près de l'appareil de cuisson.

Étouffez les flammes provenant d'aliments en feu, autre que les feux de friture, avec du bicarbonate de soude. N'utilisez jamais de l'eau pour éteindre des aliments en feu.

Dans la mesure du possible, ne faites pas fonctionner le système de ventilation lorsqu'il y a un feu. Cependant, ne tentez pas de l'éteindre en passant votre main dans le feu.

Les vêtements, poignées, mitaines ou toute autre matière inflammable ne doivent **JAMAIS** toucher ni être placés à proximité des brûleurs ou des grilles des brûleurs avant que ceux-ci n'aient eu le temps de refroidir. Les tissus pourraient prendre feu et provoquer des blessures.

N'utilisez que des poignées et mitaines sèches : la vapeur qui se dégage de poignées et de mitaines mouillées ou humides posées sur des surfaces chaudes peut provoquer des blessures. N'utilisez **PAS** de serviettes ni de chiffons volumineux au lieu de poignées et de mitaines. Ne laissez pas de poignées ou de mitaines en contact avec des grilles ou des brûleurs chauds.

Pour votre sécurité, lorsque vous utilisez l'appareil, portez des vêtements adéquats et évitez ceux qui sont amples et qui ont des manches tombantes. Certains tissus synthétiques sont hautement inflammables. Vous ne devriez pas en porter lorsque vous cuisinez.

N'enveloppez aucune pièce de l'appareil dans du papier d'aluminium. L'utilisation de revêtement en aluminium pourrait causer une décharge électrique ou un incendie, ou encore obstruer la circulation d'air de la combustion et de l'aération. Le papier d'aluminium est un excellent isolateur et il retient la chaleur. Son utilisation aura une incidence sur la cuisson et pourrait endommager le fini de l'appareil.

Quand vous utilisez la table de cuisson : **NE TOUCHEZ PAS LES GRILLES DES BRÛLEURS OU LES ZONES ADJACENTES**. Les zones entourant les brûleurs peuvent devenir assez chaudes pour causer des brûlures.

AVERTISSEMENT

L'appareil sert à cuisiner. N'utilisez jamais l'appareil pour chauffer une pièce. Ceci peut causer un empoisonnement au monoxyde de carbone et surchauffer l'appareil en plus d'en endommager certaines pièces.

Ne laissez jamais l'appareil sans surveillance quand vous utilisez une flamme intense. Les débordements produisent de la fumée et des éclaboussures de graisse qui peuvent s'enflammer. Par ailleurs, si la flamme d'un brûleur s'éteint, du gaz s'échappera dans la pièce.

Seuls certains types de casseroles en verre, en vitrocéramique résistant à la chaleur, en céramique, en terre cuite ou en céramique vitrifiée peuvent être utilisés sur les brûleurs de la table de cuisson. Ce type de récipients peut se casser lors de changements de température brusques. N'utilisez que des réglages de flamme bas ou moyen et respectez les directives du fabricant.

Ne faites pas chauffer de récipients fermés. La pression s'accumulant dans le récipient pourrait le faire éclater et provoquer des blessures.

AVERTISSEMENT

Lorsque vous cuisinez, réglez les brûleurs de façon à ce que la flamme ne chauffe que le fond du récipient sans déborder sur les côtés. Cette instruction est basée sur des considérations de sécurité.

Soyez prudent et assurez-vous que les courants provenant de grilles d'aération ou de ventilateurs ne soufflent pas de matière inflammable vers les flammes ou ne poussent pas les flammes sur les côtés de la casserole ou du poêlon.

Utilisez toujours des casseroles et poêlons à fond plat et suffisamment larges pour couvrir le brûleur. L'utilisation de casseroles trop petites pourrait exposer une partie de la flamme et enflammer des vêtements.

N'utilisez **PAS** de casseroles ou de poêlons sur l'accessoire du gril (vendu séparément). Vous ne devriez jamais utiliser de grandes casseroles, de plaques à biscuits, etc. sur l'appareil.

AVERTISSEMENT

Évitez d'utiliser une flamme forte de façon prolongée avec un récipient plus grand que la grille ou couvrant plusieurs brûleurs, comme une plaque. Cela peut nuire à la combustion et produire des émanations dangereuses.

N'utilisez **PAS** de produits nettoyants inflammables pour nettoyer l'appareil.

⚠ INSTRUCTIONS IMPORTANTS DE SÉCURITÉ

LIRE TOUTES LES INSTRUCTIONS AVANT DE PROCÉDER

Avant d'utiliser la plaque chauffante ou les brûleurs à proximité, enlevez la planche à découper optionnelle ou l'accessoire de recouvrement de la plaque.

LA GRAISSE EST INFLAMMABLE. Laissez la graisse chaude refroidir avant d'essayer de la manipuler. Évitez de laisser de la graisse s'accumuler. Nettoyez après chaque utilisation.

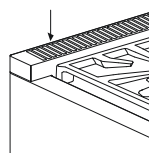
Pour que les brûleurs s'allument et fonctionnent correctement, les orifices d'allumage doivent être gardés propres. Il faut les nettoyer après un débordement ou lorsque le brûleur ne s'allume pas même si le système d'allumage électronique s'actionne.

Nettoyez l'appareil avec soin. Faites attention de ne pas vous brûler avec la vapeur. N'utilisez **PAS** d'éponge ou de chiffon mouillé pour nettoyer l'appareil quand elle est chaude. Certains produits nettoyants dégagent des vapeurs toxiques s'ils sont appliqués sur une surface chaude. Suivez les indications fournies par le fabricant du produit nettoyant.

AVERTISSEMENT

Après un renversement ou une éclaboussure, éteignez le brûleur et nettoyez le pourtour et les orifices avec soin. Assurez-vous du bon fonctionnement de l'appareil après le nettoyage.

AVERTISSEMENT



NE bloquez **PAS** et n'obstruez **PAS** les ouvertures du trou d'aération. Le trou d'aération est situé à l'arrière de l'appareil. Il doit être dégagé et ouvert pour fournir la circulation d'air nécessaire au bon fonctionnement de l'appareil.

NE touchez **PAS** la zone entourant le trou d'aération lorsque l'appareil est en marche ou plusieurs minutes après son utilisation. Certaines pièces du trou d'aération et de la zone l'entourant deviennent assez chaudes pour causer des brûlures. Laissez passer assez de temps pour que l'appareil ait le temps de refroidir avant de toucher ou nettoyer le trou d'aération.

NE placez **PAS** d'objets de plastique ou d'autre matière sensible à la chaleur sur le trou d'aération ou près de celui-ci. Ils pourraient prendre feu.

Assurez-vous que tous les boutons sont hors circuit et de l'appareil est froide avant d'utiliser un produit nettoyant en aérosol sur celle-ci ou à proximité de celle-ci. Certains produits chimiques vaporisés peuvent, en présence de chaleur, prendre feu ou corroder les pièces métalliques.

N'obstruez **PAS** la circulation d'air de combustion ou d'aération.

Toutes les réparations doivent être effectuées par des techniciens agréés, qui devront débrancher l'alimentation électrique de l'appareil avant de le réparer.

Lors de la cuisson d'aliments gras ou huileux, les brûleurs à gaz adjacents peuvent mettre feu aux vapeurs aéroportées. Soyez prudent pour éviter les brûlures.

Pour éviter tout risque d'incendie, nettoyez fréquemment la hotte et les filtres afin d'empêcher les accumulations de graisse.

En cas d'incendie ou si vous faites flamber intentionnellement de l'alcool sur la table de cuisson, suivez les instructions du fabricant. Faites preuve de prudence lorsque vous cuisinez avec de l'alcool (ex. : rhum, brandy, bourbon). L'alcool s'évapore à haute température. Les vapeurs d'alcool peuvent s'enflammer et présenter un risque de brûlure. Utilisez seulement une petite quantité d'alcool avec les aliments.

NE rangez **PAS** ou n'utilisez pas de produits chimiques, corrosifs, inflammables, non alimentaires près ou dans cet appareil, lequel est spécifiquement conçu pour réchauffer ou faire cuire des aliments. L'utilisation de produits chimiques corrosifs pendant le réchauffage ou la cuisson peut endommager l'appareil et causer des blessures.

AVERTISSEMENT

NE laissez **PAS** d'aliments ou d'ustensiles de cuisson, etc., dans le four au cours du processus d'autonettoyage. Avant de passer à l'autonettoyage du four (certains modèles), retirez le lèchefrite, les grilles du four et tout autre ustensile ainsi que tous dégâts excessifs d'aliments.

⚠ INSTRUCTIONS IMPORTANTS DE SÉCURITÉ

LIRE TOUTES LES INSTRUCTIONS AVANT DE PROCÉDER

AVERTISSEMENT

Vous ne devriez pas installer cet appareil avec un système de ventilation à aspiration descendante. Ce type de système de ventilation peut présenter des risques d'incendie et des problèmes de combustion et ainsi entraîner des blessures corporelles, des dommages matériels ou un fonctionnement involontaire. Aucune restriction ne s'applique aux systèmes de ventilation à aspiration ascendante.

Un rideau d'air ou une hotte au-dessus la cuisinière, dont le débit d'air est orienté vers le bas en direction de la cuisinière, ne peut pas être utilisé avec une cuisinière au gaz à moins que la hotte et la cuisinière ne soient conçues et testées en conformité à la norme ANSI Z21.1

- CSA 1.1, cuisinière à gaz domestiques, et classées par un laboratoire d'essai indépendant pour une utilisation conjuguée.

IMPORTANT : Il est possible que la paroi arrière se décolore sous certaines conditions de cuisson.

ÉVITEZ de nettoyer, frotter, endommager, déplacer ou retirer le joint d'étanchéité de la porte. Il est indispensable, car il assure une bonne étanchéité durant la cuisson. Si le joint d'étanchéité devient excessivement usé ou souillé de particules d'aliments, remplacez-le pour assurer une bonne étanchéité.

Protégez la fonction d'autonettoyage. Ne nettoyez que les pièces indiquées dans ce livret. N'utilisez PAS de produits nettoyants commerciaux pour le four ou de pellicule de protection de four dans ou autour du four autonettoyant.

Placez les grilles dans la position désirée avant de faire chauffer le four. Si une grille doit être déplacée alors que le four est chaud, ne pas laisser les poignées isolantes entrer en contact avec les éléments chauffants.

NE JAMAIS TOUCHER AUX SURFACES INTERNES DE LA CAVITÉ DU FOUR NI LES ÉLÉMENTS CHAUFFANTS

– Les éléments de surface peuvent être chauds, même s'ils sont froids. Les parois intérieures d'un four peuvent devenir suffisamment chaudes pour provoquer des brûlures. Les parois intérieures d'un four peuvent devenir suffisamment chaudes pour provoquer des brûlures. Avant et après l'utilisation, ne pas toucher les éléments chauffants ou les surfaces intérieures du four et ne pas mettre des vêtements, des poignées ou d'autres matériaux inflammables en contact avec les éléments ou ses surfaces tant qu'ils n'ont pas suffisamment refroidis. Les autres surfaces de l'appareil peuvent devenir suffisamment chaudes pour provoquer des brûlures. Parmi ces surfaces, on notera les ouvertures d'évent, les surfaces situées près de ces ouvertures et les portes de four.

AVERTISSEMENT

NE couvrez JAMAIS les fentes, les orifices ou les canaux de la sole du four, ni ne couvrez toute une grille avec une matière comme du papier d'aluminium. Une telle couverture bloque le débit d'air dans le four et pourrait entraîner une intoxication par monoxyde de carbone. Utiliser une feuille de papier aluminium pourrait également emprisonner la chaleur, entraînant un risque d'incendie.

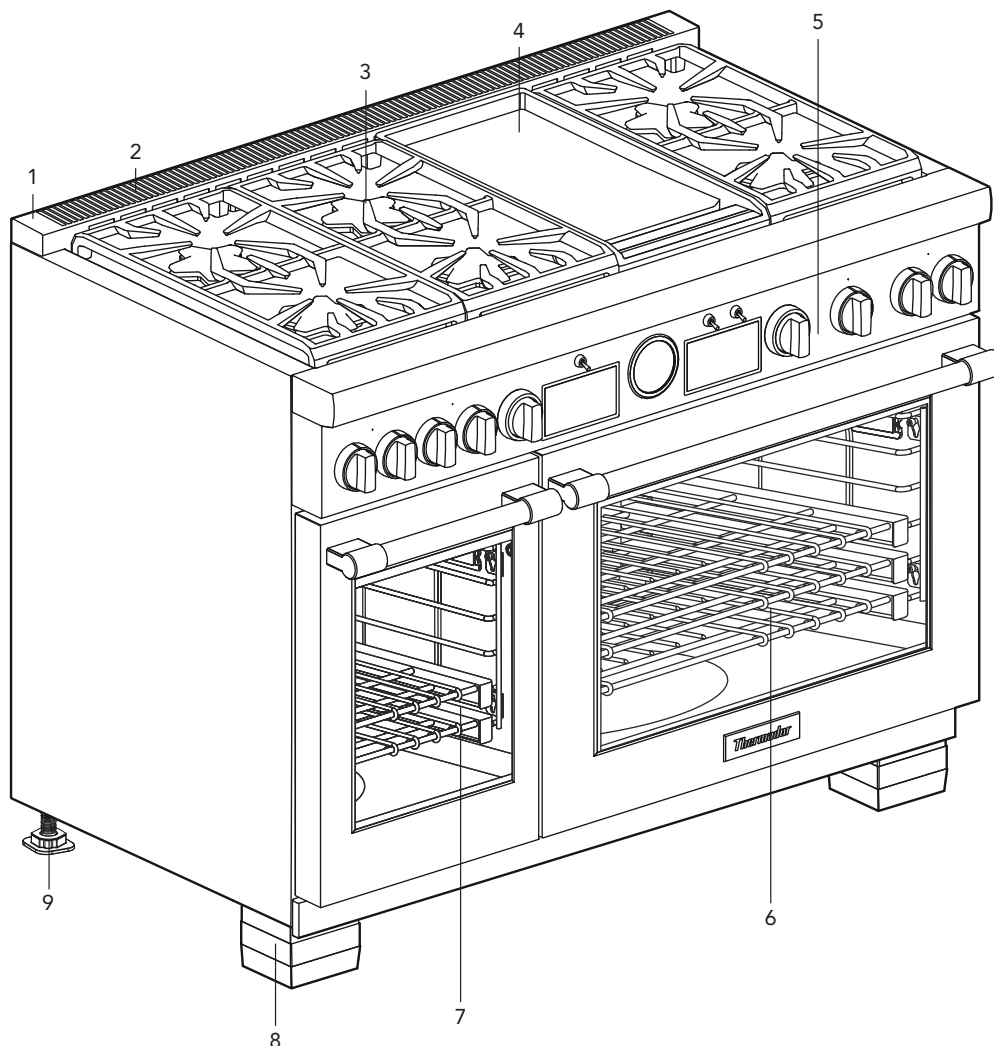
Faites preuve de prudence lorsque vous ouvrez la porte du four. Laissez l'air chaud et la vapeur s'échapper avant d'introduire ou de retirer des aliments.

Veillez noter que les oiseaux de compagnie peuvent être sensibles aux odeurs créées durant l'utilisation du four à température élevée, qu'elles proviennent de la combustion de résidus de fabrication ou d'aliments. Il est donc recommandé de sortir les oiseaux de compagnie de la cuisine.

Description

Identification de la cuisinière

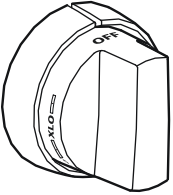
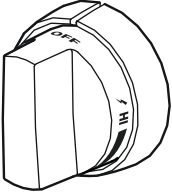
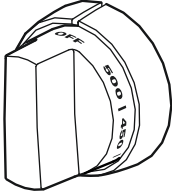
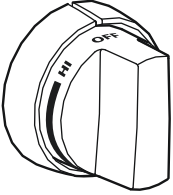
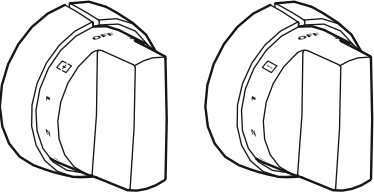
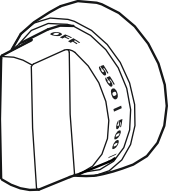
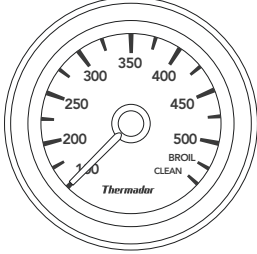
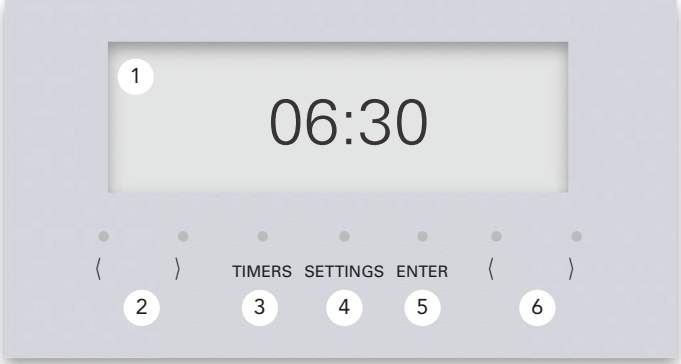
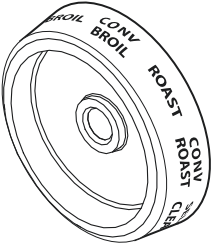

Le modèle illustré est la cuisinière de 48" avec plaque chauffante (les modèles varient).



- 1 La garniture pour installation en îlot illustration ou le dossier bas vendu séparément (Toutefois, consultez l'avertissement concernant l'espace derrière la cuisinière lors de l'utilisation de la cuisinière avec cet accessoire.)
- 2 Évent de four (N'obstruez pas l'entrée d'air!)
- 3 STAR® brûleurs
- 4 grilles de brûleurs
- 5 Plaque chauffante (les modèles varient)
- 6 Éclairage du panneau de commande
- 7 Four principal
- 8 Four auxiliaire (les modèles varient)
- 9 Assemblages des recouvrements de pattes
(Des pièces de recouvrement supplémentaires sont requises, vous pouvez en commander sans frais au centre de service à la clientèle en appelant au 1-800-735-4328 jusqu'à un an après la date d'achat de l'appareil.)
- 10 Pieds de cuisinière

Description des tableaux de commande

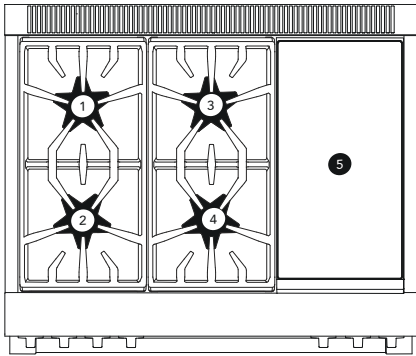
REMARQUE : Les molettes, les boutons, les modes et les fonctionnalités ne sont pas offerts sur tous les modèles.

<p>ExtraLow®</p> 	<p>Standard</p> 	<p>Plaque chauffante</p> 	<p>Gril</p> 	<p>Induction</p> 	
<p>Sélecteur de température du four</p> 	<p>Indicateur de température</p> 	<p>Affichage digital</p> 			
<p>Sélecteur de mode</p> 	<p>Interrupteur de la lampe</p> 				

- 1 Écran numérique
- 2 Touches de navigation de gauche
- 3 Accès à plusieurs minuteries
- 4 Accès aux réglages de l'utilisateur
- 5 Confirmation d'une saisie
- 6 Touches de navigation de droite

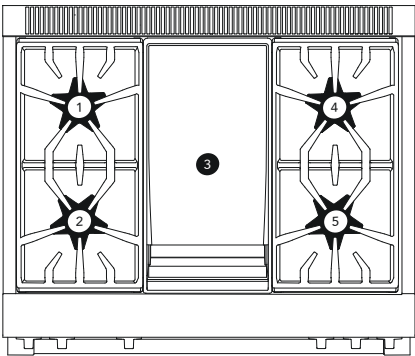
Identification de la surface supérieure

Modèle 364 avec induction



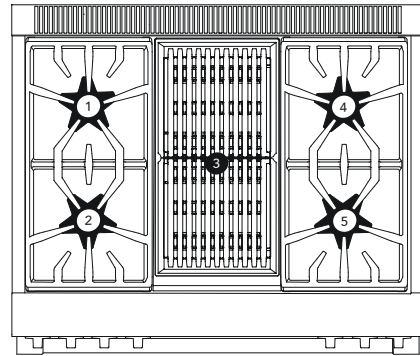
- | | | |
|---|--------------------------------|------------------------------|
| 1 | Brûleur ExtraLow | Naturel 15000, GPL 12000 BTU |
| 2 | Brûleur ExtraLow et PowerBoost | Naturel 22000, GPL 18000 BTU |
| 3 | Brûleur standard | Naturel 18000, GPL 12000 BTU |
| 4 | Brûleur standard | Naturel 18000, GPL 15000 BTU |
| 5 | Induction | 3,600W |

Modèle 364 avec plaque chauffante



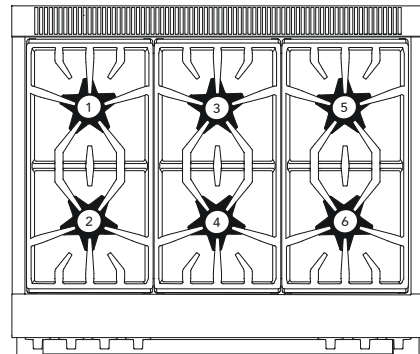
- | | | |
|---|--------------------------------|------------------------------|
| 1 | Brûleur ExtraLow | Naturel 15000, GPL 12000 BTU |
| 2 | Brûleur ExtraLow et PowerBoost | Naturel 22000, GPL 18000 BTU |
| 3 | Plaque chauffante | 1,630W |
| 4 | Brûleur standard | Naturel 15000, GPL 12000 BTU |
| 5 | Brûleur standard | Naturel 18000, GPL 15000 BTU |

Modèle 364 avec gril



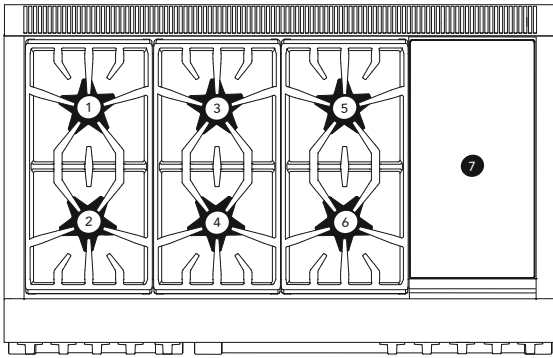
- | | | |
|---|--------------------------------|------------------------------|
| 1 | Brûleur ExtraLow | Naturel 15000, GPL 12000 BTU |
| 2 | Brûleur ExtraLow et PowerBoost | Naturel 22000, GPL 18000 BTU |
| 3 | Gril | 815W x 2 |
| 4 | Brûleur standard | Naturel 15000, GPL 12000 BTU |
| 5 | Brûleur standard | Naturel 18000, GPL 15000 BTU |

Modèle 366



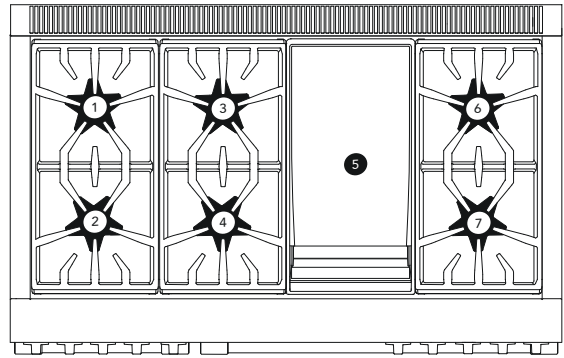
- | | | |
|---|--------------------------------|------------------------------|
| 1 | Brûleur ExtraLow | Naturel 15000, GPL 12000 BTU |
| 2 | Brûleur ExtraLow et PowerBoost | Naturel 22000, GPL 18000 BTU |
| 3 | Brûleur standard | Naturel 15000, GPL 12000 BTU |
| 4 | Brûleur standard | Naturel 18000, GPL 15000 BTU |
| 5 | Brûleur standard | Naturel 15000, GPL 12000 BTU |
| 6 | Brûleur standard | Naturel 18000, GPL 15000 BTU |

Modèle 486 avec Induction



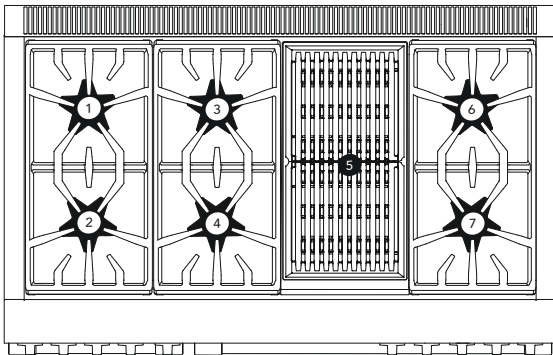
- | | | |
|---|--------------------------------|------------------------------|
| 1 | Brûleur ExtraLow | Naturel 15000, GPL 12000 BTU |
| 2 | Brûleur ExtraLow et PowerBoost | Naturel 22000, GPL 18000 BTU |
| 3 | Brûleur standard | Naturel 15000, GPL 12000 BTU |
| 4 | Brûleur standard | Naturel 18000, GPL 15000 BTU |
| 5 | Brûleur standard | Naturel 15000, GPL 12000 BTU |
| 6 | Brûleur standard | Naturel 18000, GPL 15000 BTU |
| 7 | Induction | 3,600W |

Modèle 486 avec plaque chauffante



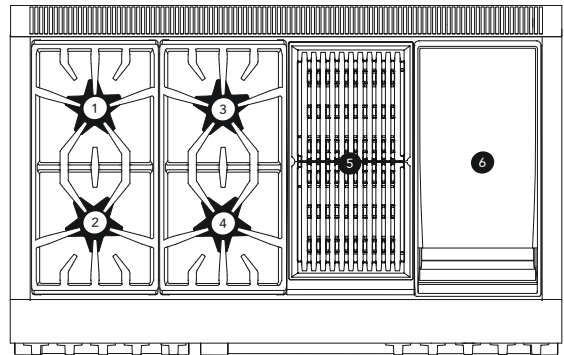
- | | | |
|---|--------------------------------|------------------------------|
| 1 | Brûleur ExtraLow | Naturel 15000, GPL 12000 BTU |
| 2 | Brûleur ExtraLow et PowerBoost | Naturel 22000, GPL 18000 BTU |
| 3 | Brûleur standard | Naturel 15000, GPL 12000 BTU |
| 4 | Brûleur standard | Naturel 18000, GPL 15000 BTU |
| 5 | Plaque chauffante | 1,630W |
| 6 | Brûleur standard | Naturel 15000, GPL 12000 BTU |
| 7 | Brûleur standard | Naturel 18000, GPL 15000 BTU |

Modèle 486 avec gril



- | | | |
|---|--------------------------------|------------------------------|
| 1 | Brûleur ExtraLow | Naturel 15000, GPL 12000 BTU |
| 2 | Brûleur ExtraLow et PowerBoost | Naturel 22000, GPL 18000 BTU |
| 3 | Brûleur standard | Naturel 15000, GPL 12000 BTU |
| 4 | Brûleur standard | Naturel 18000, GPL 15000 BTU |
| 5 | Gril | 815W x 2 |
| 6 | Brûleur standard | Naturel 15000, GPL 12000 BTU |
| 7 | Brûleur standard | Naturel 18000, GPL 15000 BTU |

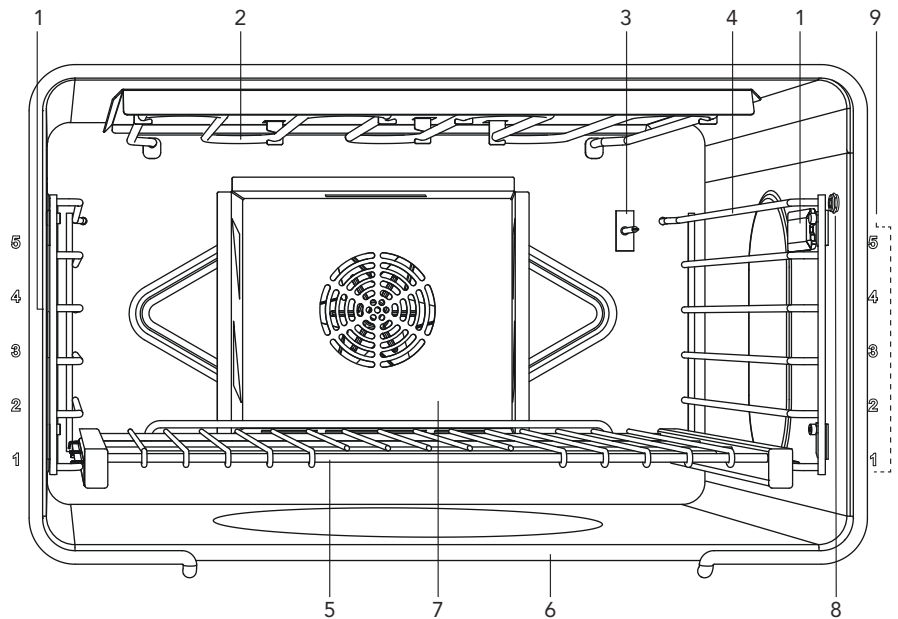
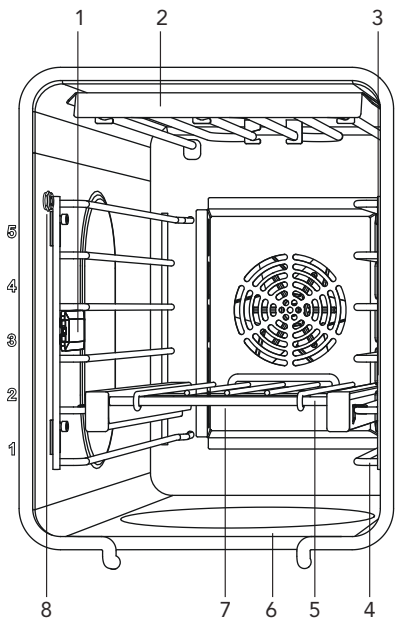
Modèle 486 avec gril et plaque chauffante



- | | | |
|---|--------------------------------|------------------------------|
| 1 | Brûleur ExtraLow | Naturel 15000, GPL 12000 BTU |
| 2 | Brûleur ExtraLow et PowerBoost | Naturel 22000, GPL 18000 BTU |
| 3 | Brûleur standard | Naturel 15000, GPL 12000 BTU |
| 4 | Brûleur standard | Naturel 18000, GPL 15000 BTU |
| 5 | Gril | 815W x 2 |
| 6 | Plaque chauffante | 1,630W |

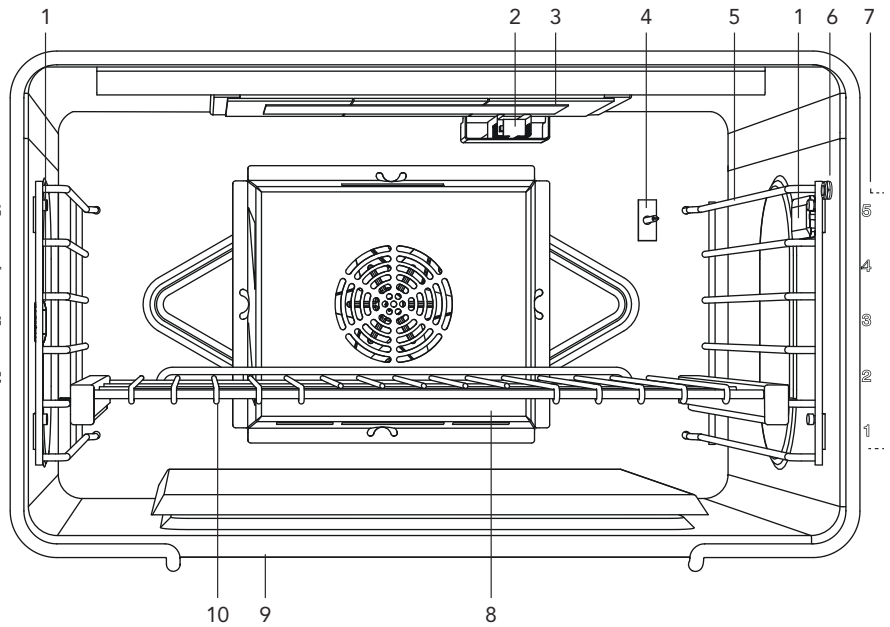
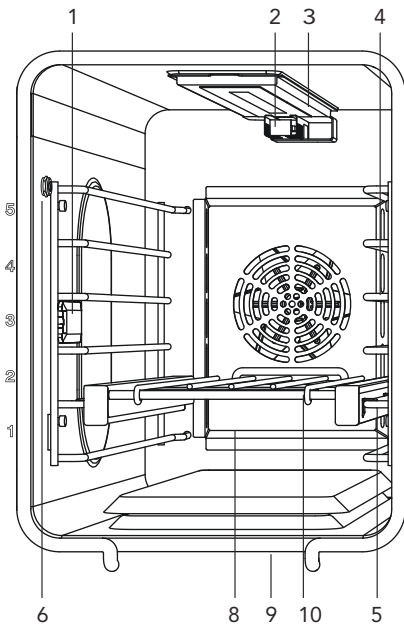
Description de l'intérieur des fours

Intérieur du four ÉLECTRIQUE



- | | | | |
|---|----------------------------|---|---------------------------------------|
| 1 | Lumière du four | 6 | Élément de cuisson (dissimulé) |
| 2 | Élément du griloir | 7 | Couvercle du ventilateur à convection |
| 3 | Capteur thermostat du four | 8 | Prise pour sonde thermique |
| 4 | Glissières des griles | 9 | Positions des griles |
| 5 | Griles de four | | |

Intérieur du four à GAZ



- | | | | |
|---|-------------------------------|----|---------------------------------------|
| 1 | Lumière du four | 6 | Griles de four |
| 2 | Allumeur du griloir | 7 | Brûleur de cuisson (dissimulé) |
| 3 | Brûleur infrarouge du griloir | 8 | Couvercle du ventilateur à convection |
| 4 | Capteur thermostat du four | 9 | Prise pour sonde thermique |
| 5 | Glissières des griles | 10 | Positions des griles |

Avant de commencer

Mise en route

En raison de nos activités d'amélioration continue de la conception et de la qualité, les images peuvent ne pas être représentatives du produit final.

Plaque signalétique

- Notez les numéros de modèle et de série.
- La plaque de la fiche signalétique se trouve à la droite de l'appareil, entre la cavité du four et le panneau latéral.
- Vous pouvez utiliser ces renseignements lors de toutes vos futures communications avec le service à la clientèle. Pour plus d'informations sur l'enregistrement du produit, voir "Avant d'appeler le service technique".

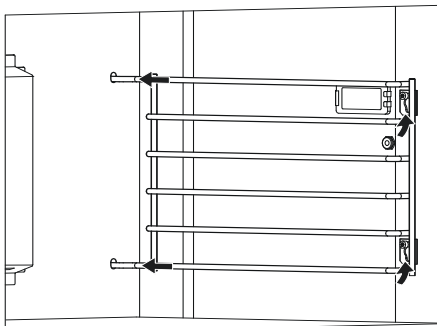
Brûleurs de surface

1. Assurez-vous que les chapeaux des brûleurs sont bien posés sur leurs bases sur la table de cuisson ("Vérification de la position des chapeaux des brûleurs" à la page 73).
2. Allumez chaque brûleur pour vous assurer que la flamme est d'une couleur adéquate. Consultez la section « "Description de la flamme" à la page 75 » pour plus de détails.

Grille plate

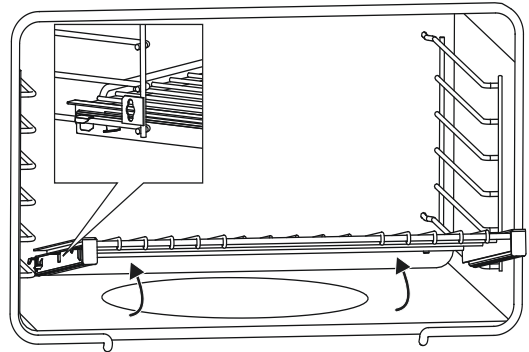
Retrait des guides pour le nettoyage

1. Soulevez le devant du guide pour libérer les têtes des deux boulons à épaulement vers la partie avant de la cavité du four.
2. Retirez la portion avant du guide en tirant les fentes en forme de trou de clé par dessus les boulons d'épaulement.
3. Sortez les deux rails des trous situés à l'arrière de la cavité du four. Les guides sont conçus pour pouvoir s'installer d'un côté ou d'un autre de la cavité du four.

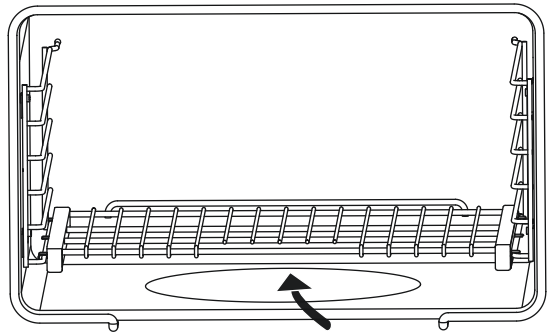


Comment placer la grille Full Access® dans le four

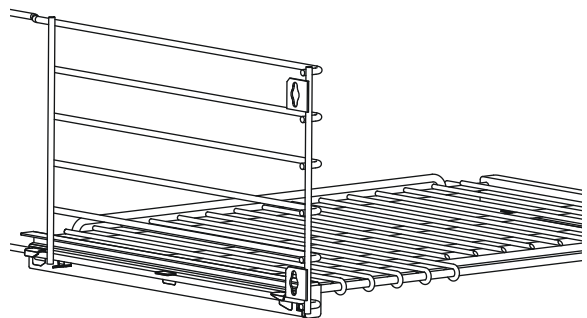
1. Tenez la grille dans un angle légèrement ouvert. Placez les crochets sous la partie avant des fentes des glissières.



2. Poussez la grille dans le four en la soulevant par-dessus les butées de sûreté situées à l'avant des glissières.
3. Tenez la grille bien droite.



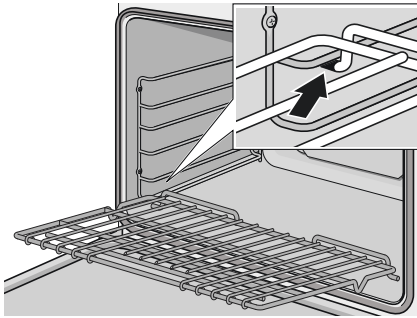
4. Poussez la grille jusqu'au fond.
5. Engagez les crochets avant de la grille dans les glissières.



IMPORTANT : Lorsque vous installez la grille coulissante dans le four, assurez-vous que les supports frontaux des glissières de la grille reposent dans les larges fentes des coins avant de la grille. Cela est nécessaire pour que la grille demeure dans la bonne position lorsqu'elles se trouvent totalement à l'intérieur du four.

Mise en place de la grille plate dans le four

1. Saisir fermement la grille par les côtés.
2. Incliner la grille vers le haut pour mettre la butée dans le guide.



Utilisation du four

⚠ AVERTISSEMENT

Pour prévenir les risques de brûlure, n'enlevez ou ne déplacez JAMAIS les grilles lorsque le four est en marche ou lorsqu'il refroidit.

Positionner les grilles du four

- Placez correctement les grilles dans le four. La position adéquate des grilles dépend de la recette et du mode de cuisson.
- Les positions des grilles dans le four sont numérotées de bas en haut, comme un ascenseur.
- La position no 3 est la position la plus fréquemment utilisée.
- Introduisez la ou les grilles à la position voulue avant d'allumer le four.

Première utilisation

IMPORTANT : Enlevez toujours les grilles avant de procéder à l'autonettoyage du four. Si les grilles coulissantes restent dans le four pendant l'autonettoyage, les lubrifiants du mécanisme de glissement de chaque grille seront endommagés et le fini se décolorera.

Avant de faire cuire au four ou de rôtir, vous devriez allumer le four et l'élément de voûte pour brûler les huiles utilisées lors de la fabrication à l'aide de l'une des méthodes suivantes :

1. Allumez le système de ventilation de la cuisine (ou une fenêtre si votre hotte est munie d'un système de recirculation d'air).
2. Allumez le four à 450 °F (230 °C) pendant 20 à 30 minutes. Réglez ensuite le four à BROIL pour la même période.

ou

1. Mettez le système de ventilation de la cuisine en marche (si la hotte utilisée fonctionne avec un système de reprise d'air, ouvrez une fenêtre).
2. Enlevez les grilles du four.
3. Réglez le four au mode d'autonettoyage et laissez-le terminer son cycle (modèles sélectionnés seulement).

Les cuisinières dégagent parfois une odeur particulière ou de la fumée lors de la première utilisation. Ces odeurs ou cette fumée proviennent des résidus de fabrication qui brûlent, ce qui est caractéristique de toute nouvelle cuisinière, indépendamment du fabricant.

Fonctionnement automatique du ventilateur de refroidissement

Le ventilateur de refroidissement tourne pendant tous les modes de cuisson. On peut l'entendre fonctionner et sentir parfois de l'air chaud s'échapper de l'évent du four. Le ventilateur peut également fonctionner une fois le four éteint.

Évent du four

L'évent du four se trouve au bas de l'unité. De l'air chaud peut s'échapper de l'évent avant, pendant et après la cuisson. Il est normal de voir de la vapeur s'échapper de l'évent et de la condensation peut se former à cet endroit. Cette zone peut devenir très chaude pendant l'utilisation du four. Ne pas obstruer l'évent car il est indispensable à la bonne circulation de l'air.

Ventilateur à convection

Le ventilateur à convection fonctionne pendant tous les modes de cuisson à convection. Lorsque le four est en mode de cuisson par convection, le ventilateur s'arrête automatiquement lorsque la porte est ouverte. Il fonctionne également pendant l'autonettoyage.

Utilisation de la table de cuisson

Brûleurs STAR® scellés

▲ AVERTISSEMENT

Pour prévenir toute brûlure, éviter de toucher les chapeaux et les grilles des brûleurs lorsqu'ils sont chauds. Éteignez la table de cuisson et laissez les brûleurs refroidir.

▲ AVERTISSEMENT

Pour prévenir toute brûlure, éviter de toucher les chapeaux et les grilles des brûleurs lorsqu'ils sont chauds. Éteignez la table de cuisson et laissez les brûleurs refroidir.

Mise en place des capuchons de brûleur

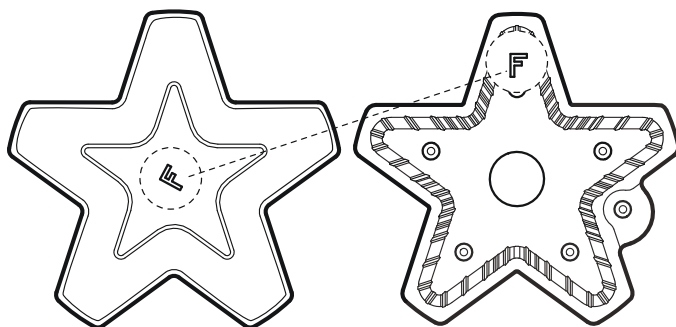
Pour assurer un fonctionnement approprié, les chapeaux des brûleurs doivent être placés adéquatement sur leur base. Si le chapeau n'est pas placé adéquatement, l'un ou l'autre des problèmes suivants pourrait survenir :

- Les flammes du brûleur sont trop hautes.
- Des flammes excessives jaillissent du brûleur.
- Le brûleur ne s'allume pas.
- Les flammes du brûleur sont inégales.
- Le brûleur émet des odeurs.

Chaque capuchon comporte une lettre (B, D, ou F) coulée dans la partie inférieure du capuchon correspondant à une lettre (B, D, ou F) coulée dans la base du brûleur solidaire de l'appareil.

Placez sur les chapeaux de brûleurs

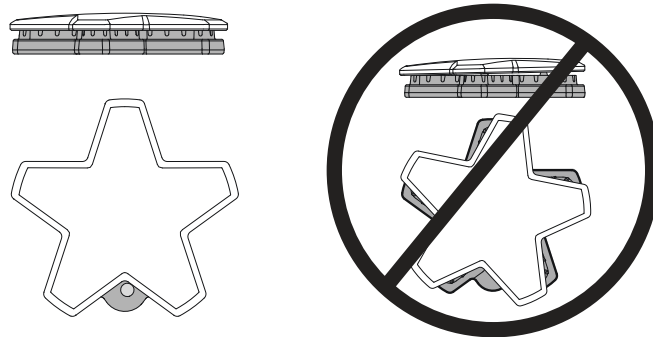
1. Placer chaque capuchon de brûleur sur la base du brûleur correspondant selon la lettre marquée sur chacun d'eux.



2. Placer le capuchon de brûleur délicatement sur la base de manière à ce que les pattes de la base du brûleur s'ajustent parfaitement dans la fente du capuchon de brûleur.

Vérification de la position des chapeaux des brûleurs

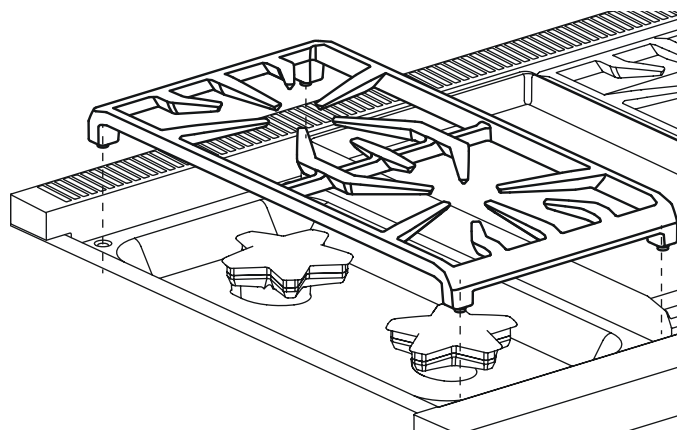
- Vérifiez chaque brûleur pour vous assurer qu'il n'y a pas d'espace entre le chapeau et la base du brûleur. Voir Figure pour des exemples de chapeau de brûleur correctement ou incorrectement placés.
- Vous pouvez essayer de déplacer délicatement les chapeaux des brûleurs latéralement pour vous assurer qu'ils sont placés correctement sur leur base.
- Lorsqu'ils sont bien placés, les chapeaux des brûleurs sont droits sur la base et couvrent complètement la base du brûleur en forme d'étoile lorsque vous les regardez d'en haut.



Positionnement des grilles des brûleurs

Pour installer les grilles des brûleurs

1. Positionnez-les avec le côté plat vers le bas et alignez-les dans la partie enfoncée.
2. Les grilles doivent s'appuyer les unes contre les autres et contre les côtés de la partie enfoncée.



Boutons de commande

Le symbole au-dessus de chaque bouton identifie soit la position du brûleur sur la surface de cuisson ou le contrôle de la grille, selon le modèle.

Fonctionnement des brûleurs

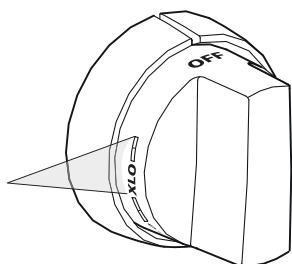
1. Poussez sur le bouton et tournez-le dans le sens antihoraire jusqu'au réglage HI.
 - L'allumeur du brûleur sélectionné émet des étincelles pour allumer le brûleur.
 - Une fois le brûleur allumé, l'allumeur cesse d'émettre des étincelles.
2. Tournez le bouton à n'importe quel réglage entre HI et SIM.

Éclairage LED (modèles sélectionnés)

Positionné juste sous le chanfrein arrondi, le panneau d'éclairage à DEL fournit un éclairage localisé pour une ambiance théâtrale.

L'interrupteur à bascule du panneau d'éclairage situé sur le panneau de commandes allume ou éteint les DEL.

Brûleurs ExtraLow®



Le dessin montre la gamme supplémentaire de réglage du bouton entre les repères XLO. Lorsque le bouton est placé sur cette gamme, la flamme s'allume et s'éteint.

La modification des durées pendant lesquelles la flamme reste allumée/éteinte permet de réduire davantage la quantité de chaleur et de cuire des aliments délicats. Le réglage très bas est utile pour faire mijoter, pocher, fondre du chocolat et du beurre, maintenir la température des plats préparés sans qu'ils roussissent ou brûlent, etc.

Fonctionnement du brûleur ExtraLow®

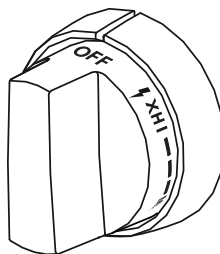
- XLO, le réglage le plus bas, fonctionne par cycles d'une minute avec alternance de flamme allumée pendant environ 10 secondes suivies d'environ 50 secondes de flamme éteinte.
- Lorsque le bouton est réglé juste en dessous du repère XLO, la flamme reste allumée pendant environ 50 secondes et s'éteint pendant environ 10 secondes.

- Pour faire varier la faible chaleur requise en fonction de l'aliment et de la quantité, vous pouvez régler la commande à n'importe quel point entre XLO sur le bouton.

Techniques ExtraLow®

- Pour maintenir une chaleur basse ou pour faire mijoter, portez les aliments à ébullition. Remuez bien, couvrez le récipient, puis baissez le réglage en plaçant le bouton juste en dessous de XLO.
- Si vous utilisez un récipient surdimensionné, vos aliments mijoteront principalement au centre de celui-ci. Pour homogénéiser la température de l'ensemble, remuez pour ramener les aliments se trouvant sur les bords vers le centre.
- Quand un plat mijote, il est normal de le brasser de temps à autre, surtout s'il doit mijoter pendant plusieurs heures, comme dans le cas de haricots ou d'une sauce à spaghetti maison.
- Il est normal de ne pas voir de bulles à la surface après avoir remué les aliments.
- Il peut y avoir des bulles quand la flamme est allumée, qui disparaissent quand elle est éteinte. Même quand elle est éteinte, de la vapeur et un léger frémissement seront perceptibles à la surface du liquide.

POWERBOOST® (modèles sélectionnés)



Le bouton de commande POWERBOOST, ou XHI, est pratique pour rapidement faire bouillir de l'eau, saisir des steaks, faire sauter des légumes, etc. Les fonctions XLO s'utilisent de la même manière que sur les autres brûleurs.

Rallumage automatique

▲ ATTENTION

Ne touchez pas les brûleurs pendant que les allumeurs produisent des étincelles.

Chaque brûleur STAR comporte son propre allumeur électronique qui produit des étincelles lorsque le bouton est activé. Les brûleurs doivent s'allumer en 4 secondes ou moins. Si le brûleur ne s'allume pas, assurez-vous que le chapeau est correctement posé sur sa base.

Si un ou plusieurs brûleurs s'éteignent, l'allumeur électronique produit automatiquement des étincelles pour rallumer la flamme. Ne touchez pas aux brûleurs pendant que les allumeurs produisent des étincelles.

IMPORTANT :

- Pour assurer une combustion adéquate, n'utilisez pas la surface de cuisson si la grille des brûleurs n'est pas en place.
- La combustion et l'allumage du brûleur produisent un léger bruit. Cela est normal.
- Un bruit audible peut être entendu lorsque le brûleur est mis hors circuit. Ce bruit peut être plus fort avec le gaz LP que le gaz naturel. Ceci est normal.

Panne de courant

⚠ AVERTISSEMENT

En cas de panne de courant, mettez tous les boutons à la position OFF. Seuls les brûleurs standards STAR peuvent être allumés manuellement.

- En cas de panne de courant, seuls les brûleurs standards peuvent être allumés manuellement. Chacun d'eux doit être allumé individuellement.
- Si une panne de courant survient pendant que vous utilisez la cuisinière, tournez tous les boutons à la position OFF.
- Vous pouvez allumer les brûleurs STAR® standards en approchant une allumette enflammée près des orifices et en tournant le bouton à la position HI. Attendez que la flamme soit allumée tout autour du chapeau du brûleur avant de la régler à la hauteur voulue.
- N'essayez pas d'allumer les deux brûleurs XLO de gauche et les deux brûleurs XLO de droite pendant une panne de courant. Ces brûleurs sont munis de la fonction ExtraLow et ne peuvent être allumés manuellement.
- Si un brûleur ExtraLow est allumé pendant une panne de courant, il ne peut être remis en circuit tant que le bouton n'est pas réglé à la position OFF.
- La plaque chauffante et le gril ne peuvent être utilisés pendant une panne de courant.
- Si vous détectez une odeur de gaz, consultez les Instructions de Sécurité.

Hauteur de la flamme

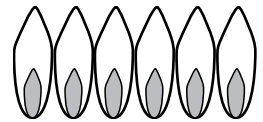
- La hauteur correcte de la flamme dépend : (1) de la taille et du matériau du récipient utilisé; (2) des aliments à cuire; et (3) de la quantité de liquide dans le récipient.
- La flamme ne doit pas dépasser les côtés de la base du récipient.
- Utilisez une flamme basse ou moyenne pour les récipients dont le matériau conduit lentement la chaleur, comme l'acier émaillé ou la vitrocéramique.

Description de la flamme

Caractéristiques de la flamme

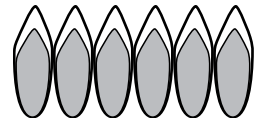
Flamme jaune :

Réglage nécessaire.



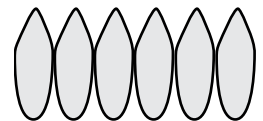
Pointe jaune sur cône extérieur :

Normal pour gaz LP.



Flamme bleue :

Normal pour gaz naturel.



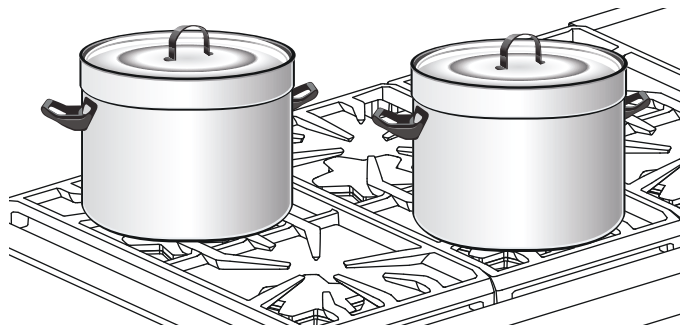
- Si la flamme est complètement ou presque jaune, assurez-vous que le régulateur est réglé pour le combustible approprié. Après le réglage, vérifiez de nouveau.
- Des rayures de couleur orangée sont normales pendant la mise en marche initiale.
- Laissez l'appareil fonctionner de 4 à 5 minutes et évaluez de nouveau avant d'effectuer les réglages.
- La flamme des brûleurs doit être bleue sans pointe jaune. Elle devient parfois partiellement orange : cela indique que des impuretés flottant dans l'air sont en train de se consumer. Elles disparaîtront avec l'usage.
- Avec le gaz propane, il est normal qu'il y ait un peu de jaune dans le cône primaire.
- La flamme doit brûler tout autour du chapeau du brûleur. Si ce n'est pas le cas, assurez-vous que le chapeau est bien posé sur la base et que les orifices ne sont pas bouchés.
- La flamme doit être stable, ne pas voltiger ni faire de bruit excessif.

Récipients recommandés

▲ MISE EN GARDE

Pour éviter tout risque de dommages sérieux à l'appareil ou à un récipient, observez les consignes suivantes:

- Les grands récipients, les plaques à biscuits, etc. ne doivent pas être utilisés sur la surface de cuisson.
- Placez les grandes casseroles de façon décalée lorsque vous utilisez la surface de cuisson.

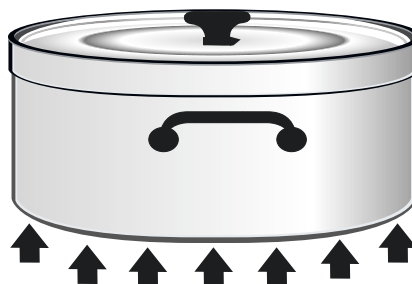


- Choisissez une casserole dont la base correspond au diamètre de la flamme. La flamme doit être égale ou légèrement plus petite que la base du récipient. Des récipients surdimensionnés ou sous-dimensionnés nuisent aux résultats de la cuisson. Une base d'un diamètre de 5½ po (14 cm) est généralement la plus petite taille conseillée.
- Évitez d'utiliser un réglage de flamme intense lors de l'utilisation d'un poêlon plus grand que la grille ou qui occupe plus que l'espace d'un seul brûleur, comme une plaque, pour de longues périodes. Cela peut générer une mauvaise combustion et des vapeurs nocives.
- L'assise du récipient est un facteur important de stabilité et d'uniformité de la cuisson. La poignée ne doit pas être plus lourde que le récipient, car celui-ci pourrait pencher sur un côté. Le récipient doit reposer bien à plat sur la grille sans se balancer ni être instable.

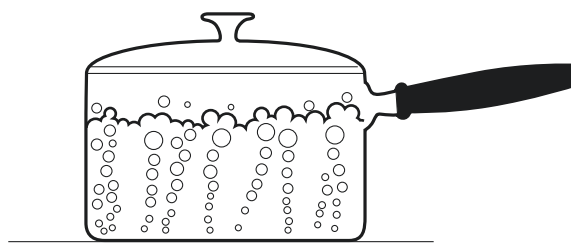


- Les aliments enveloppés dans du papier aluminium ne doivent pas être placés directement sur la grille du brûleur, car l'aluminium peut fondre pendant la cuisson.

- Ne laissez pas du plastique, du papier ou du tissu entrer en contact avec une grille de brûleur chaude. Ils pourraient fondre ou s'enflammer.
- Des récipients de qualité professionnelle à poignée métallique sont recommandés, car les poignées en plastique risquent de fondre ou de se déformer si la flamme déborde du récipient. Des récipients de qualité professionnelle sont en vente dans les magasins de fournitures pour restaurant et dans les boutiques gastronomiques.
- Tous les récipients utilisés doivent posséder les caractéristiques suivantes : bonne conductivité de la chaleur, bonne assise, dimensions adéquates du diamètre de la base, base lourde et fond plat, et couvercle bien adapté.
- Pour de meilleurs résultats de cuisson, la flamme ne doit pas déborder du fond de la casserole.
- L'aluminium et le cuivre sont des matériaux qui conduisent la chaleur rapidement et uniformément. Le fond des récipients est souvent fabriqué avec ces métaux. Ils peuvent également être insérés entre des couches d'acier inoxydable.
- Un fond plat et lourd est plus stable lorsque chauffé. Les casseroles déformées, légères et bosselées ne permettent pas une cuisson uniforme. Chauffez et refroidissez les casseroles graduellement pour éviter les changements soudains de température, qui peuvent déformer les casseroles. Ne mettez pas d'eau froide dans une casserole chaude.



- Un couvercle adapté au diamètre d'un récipient raccourcit le temps de cuisson et permet l'utilisation de réglages plus bas.



Récipients pour spécialités

Woks

- Les woks à fond plat ou rond avec un anneau de support peuvent être utilisés sur tous les modèles. Un anneau de support doit être utilisé avec les woks à fond rond.
- Le wok et l'anneau à wok en fonte revêtu d'une couche de porcelaine sont vendus séparément.

Cocottes et marmites

- Choisissez une base dont le diamètre dépasse au maximum de 2 po (51 mm) de la grille.

Bain-marie de dimensions standards

- 21 à 22 pintes (19,95 à 20,9 litres) avec une base de 11-12 po (279 à 305 mm) et une hauteur de 9 à 11 po (229 à 279 mm).

Cocotte-minute de dimensions standards

- 8 à 22 pintes (7,6 à 20,9 litres) avec une base de 8 à 11 po (20,3 à 27,9 cm) et une hauteur de 6,5 à 12 po (165 à 305 mm).

Conseils d'utilisation

- Il est préférable d'utiliser un récipient à fond plat qu'un récipient à fond concave, convexe ou ondulé.
- Si vous utilisez deux cocottes en même temps, placez-les sur des brûleurs décalés. Ne bloquez pas la circulation d'air autour des brûleurs. La flamme a besoin d'une certaine quantité d'air pour bien brûler.
- Mettez un couvercle sur la cocotte lorsque vous portez son contenu à ébullition.
- Quand le contenu bout au réglage HI, baissez la flamme le plus possible pour maintenir à ébullition ou maintenir la pression.
- La cuisson à la cocotte produit de grandes quantités de vapeur. Faites attention pour ne pas vous brûler.

Conseils de cuisson

- Consultez le tableau des page 78 pour vous guider. Les réglages à utiliser varient selon l'ustensile choisi et la température initiale des aliments.
- Dans le tableau, le « Réglage final » est séparé pour les brûleurs standards et les brûleurs ExtraLow®. Selon le cas, ce réglage sera identique ou différent.
- Le réglage ExtraLow des brûleurs peut être un réglage de cuisson ou de maintien de température.
- Augmentez ou diminuez la flamme progressivement. Laissez le temps au récipient et aux aliments de réagir au nouveau réglage.

Conseils de cuisson – brûleurs de la table de cuisson

Aliments	Réglage initial	Réglage final – brûleurs standards	Réglage final – brûleurs XLO
Boissons Cacao	MED – Chauffer le lait, couvrir	LO – Finir de chauffer	XLO – Maintenir au chaud, couvrir
Pain Pain doré, crêpes, sandwichs grillés	MED – Préchauffer le poêlon	LO à MED – cuire	Identique aux brûleurs standards
Beurre À fondre	LO – pour commencer à faire fondre		Laisser fondre
Céréales Semoule de maïs, gruau, avoine	HI – Couvrir, porter l'eau à ébullition, ajouter les céréales	LO à MED – terminer la cuisson selon les instructions sur l'emballage.	XLO – Pour maintenir la température, couvrir*
Chocolat À fondre	XLO – peut être remué pour faire fondre plus vite		XLO – Laisser fondre XLO – Pour maintenir la température
Desserts Bonbons	LO à MED – cuire selon la recette	LO à MED	Identique aux brûleurs standards
Pouding et mélange pour garniture à tarte	LO à MED LO – suivre les indications sur l'emballage	LO	Identique aux brûleurs standards
Pudding	LO à MED LO – Faire bouillir le lait	LO	Identique aux brûleurs standards
Oeufs À la coque	MED HI – couvrir les œufs avec de l'eau, couvrir, porter l'eau à ébullition		
Frits, brouillés	LO à MED – Faire fondre le beurre, ajouter les œufs	LO – pour terminer la cuisson	Identique aux brûleurs standards
Pochés	HI – Porter à ébullition, ajouter les œufs	LO à MED – pour terminer la cuisson	Identique aux brûleurs standards
Viande, poisson, volailles Bacon, saucisses, galettes	HI – Jusqu'à ce que la viande commence à grésiller	LO à MED – pour terminer la cuisson	Identique aux brûleurs standards
Braiser : steak suisse, rôti à la cocotte, ragoût	MED HI – Faire fondre la graisse, faire revenir à MED HI à HI, ajouter du liquide, couvrir		XLO Laisser mijoter jusqu'à ce que la viande soit tendre
Grillade rapide au poêlon; steaks pour déjeuner	MED HI – préchauffer le poêlon	MED à MED HI – frire rapidement au poêlon	Identique aux brûleurs standards
Friture : poulet	MED HI – Faire chauffer l'huile puis faire dorer à MED	LO – couvrir pour terminer la cuisson	Identique aux brûleurs standards
Grande friture : crevettes	MED HI – Faire chauffer l'huile	MED à MED HI – pour maintenir la température	Identique aux brûleurs standards

Aliments	Réglage initial	Réglage final – brûleurs standards	Réglage final – brûleurs XLO
Grillade au poêlon : côtelettes d'agneau, steaks minces, hamburgers, saucisses en chapelet	MED HI – Préchauffer le poêlon	MED – pour brunir la viande	Identique aux brûleurs standards XLO – pour maintenir
Pocher : poulet, entier ou morceaux, poisson	MED HI – Couvrir, porter à ébullition		Pour terminer la cuisson
Faire mijoter : poulet à l'étouffée, corned-beef, langue, etc.	HI – Couvrir, porter à ébullition		XLO - Pour mijoter lentement XLO - Pour maintenir la chaleur, couvrir
Pâtes Macaronis, nouilles, spaghettis	HI – Porter l'eau à ébullition, ajouter les pâtes	MED à HI – pour maintenir à ébullition	Identique aux brûleurs standards
Cocotte-minute Viande	MED HI à HI – faire monter la pression	LO à MED – maintenir la pression	Identique aux brûleurs standards
Légumes	HI – faire monter la pression	MED LO à MED – maintenir la pression	Identique aux brûleurs standards
Riz	HI – Couvrir, porter l'eau et le riz à ébullition.	Réduire la chaleur à SIM. Couvrir et faire cuire jusqu'à ce que l'eau soit absorbée	Faire cuire selon les instructions du sachet XLO – Pour maintenir la chaleur, couvrir
Sauces Sauce tomate	MED HI – cuire la viande/les légumes selon la recette	LO pour faire mijoter	XLO – laisser mijoter sans couvercle pour que la sauce épaississe
Sauce blanche, à la crème, béarnaise	MED – Faire fondre la graisse, suivre la recette	LO – pour terminer la cuisson	XLO – Pour maintenir la chaleur, couvrir
Hollandaise	XLO		XLO – Pour maintenir la chaleur, réglage le plus bas
Soupes, bouillons	HI – Couvrir, porter à ébullition	LO pour faire mijoter	Mijoter à XLO – Pour maintenir la chaleur, couvrir
Légumes Frais	HI – Couvrir, porter l'eau et les légumes à ébullition	LO à MED – faire cuire jusqu'à ce qu'ils soient tendres	Identique aux brûleurs standards XLO – pour maintenir la chaleur, couvrir
Congelés	HI – Couvrir, porter l'eau et les légumes à ébullition	LO à MED – faire cuire selon les instructions du paquet	Identique aux brûleurs standards
Grande friture	HI – Faire chauffer l'huile	MED à MED HI – pour conserver la température de friture	Identique aux brûleurs standards
Sautés	MED HI – Faire chauffer l'huile ou faire fondre le beurre, ajouter les légumes	LO à MED – laisser cuire jusqu'au point de cuisson désiré	Identique aux brûleurs standards
Revenus à la poêle	HI – Faire chauffer l'huile, ajouter les légumes	HI à HI – pour terminer la cuisson	Identique aux brûleurs standards

Plaque chauffante électrique

Description

⚠ AVERTISSEMENT

L'élément de la plaque chauffante reste chaud après utilisation. Prévoyez suffisamment de temps pour que tous ses composants refroidissent avant de les nettoyer.

⚠ MISE EN GARDE

Pour éviter tout risque de blessure, n'utilisez jamais la plaque chauffante sans sa plaque. N'utilisez jamais la plaque chauffante d'une manière non indiquée dans le guide d'utilisation et d'entretien.

NOTE : Seulement sur certains modèles.

Les largeurs de la plaque varient.

Une planche à découper en érable, un couvercle en acier inoxydable sont disponibles comme accessoires et peuvent être achetés séparément. La planche à découper et le couvercle doivent être enlevés avant d'utiliser la plaque chauffante.

Le plateau (ou le grill) doit toujours être en place lors de l'utilisation de la plaque chauffante.

La plaque chauffante est ajustée électroniquement aux températures indiquées sur les boutons, de 150°F à 500°F (66°C à 260°C).

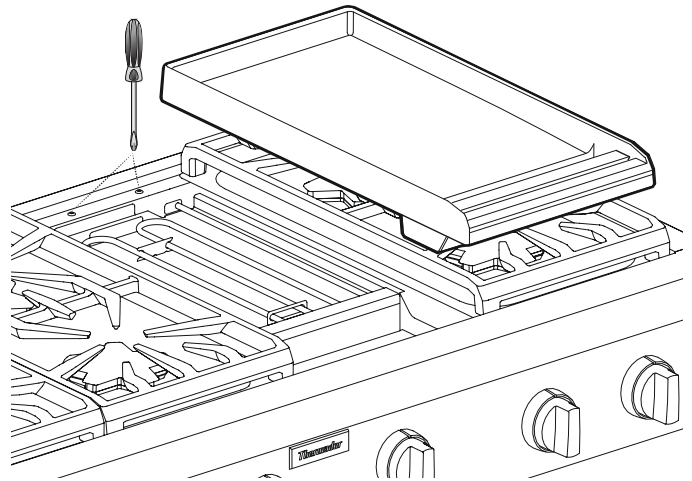
Les modèles de 61 cm (24 po) disposent de deux résistances chauffantes avec commande indépendante. Cette fonction permet de cuire simultanément des aliments à différentes températures.

Préparation de la plaque

Préparer la de la plaque

1. Avant d'être utilisée, la plaque chauffante doit être lavée à l'eau chaude savonneuse, puis rincée à l'eau claire.
2. Assurez-vous que la plaque chauffante est bien ajustée en versant deux cuillerées d'eau à l'arrière de la plaque.
 - L'eau devrait lentement couler vers les collecteurs de graisse.

3. Déplacer de la plaque chauffante sur le côté.
4. Ajustez les deux vis situées sous la plaque, à l'arrière de celle-ci. Commencez par dévisser les vis d'un demi-tour.



5. Les ajustements subséquents devraient se faire par quart de tour jusqu'à ce que l'eau coule dans les collecteurs de graisse.

La plaque peut être utilisée sans beurre, margarine ou huile. Toutefois, une petite quantité peut être utilisée pour donner du goût aux aliments.

N'utilisez **PAS** des ustensiles métalliques sur la surface de la plaque chauffante. Prenez garde de ne pas endommager la surface avec les ustensiles. Ne coupez pas directement d'aliments sur la plaque chauffante.

AVIS : Le rendement de la plaque chauffante ou du grill peut varier si la circulation d'air près de l'appareil est trop élevée. Une circulation d'air excessive pourrait provenir d'un ventilateur de plafond ou d'un appareil de climatisation soufflant sur la surface de cuisson. Cela pourrait prolonger le temps d'échauffement ou faire en sorte que la température de la plaque chauffante ne corresponde pas à ce que le réglage des boutons de commande indique.

NOTE : Une hotte dûment installée n'est pas considérée comme une source de circulation d'air excessive.

Conseils de cuisson 12" plaque chauffante

Aliment	Réglage
Œufs	325° – 350°F
Bacon, saucisses à déjeuner	450° – 475°F
Sandwichs grillés	375° – 400°F
Poitrines de poulet désossées	425° – 450°F
Côtelettes de porc désossées de 1 po (25,4 mm) d'épaisseur	425° – 450°F
Steaks de 1 po (25,4 mm) d'épaisseur	450° – 475°F
Boulettes de bœuf haché de 6 onces	450° – 475°F
Boulettes de dinde hachée, 6 onces	450° – 475°F
Hot Dogs	350° – 375°F
Tranches de jambon de 1/2 po (12,7 mm) d'épaisseur	350° – 375°F
Crêpes, pain doré	400° – 425°F
Pommes de terre, pommes de terre rissolées	400° – 425°F

* Pour garantir une cuisson uniforme, assurez-vous que l'épaisseur des aliments est uniforme.

Conseils de cuisson 24" plaque chauffante

Aliment	Réglage
Œufs	275° – 300°F
Bacon, saucisses à déjeuner	400° – 450°F
Sandwichs grillés	350° – 375°F
Poitrines de poulet désossées	400° – 425°F
Côtelettes de porc désossées de 1 po (25,4 mm) d'épaisseur	400° – 425°F
Steaks de 1 po (25,4 mm) d'épaisseur	425° – 450°F
Boulettes de bœuf haché de 6 onces	400° – 425°F
Boulettes de dinde hachée, 6 onces	400° – 425°F
Hot Dogs	300° – 350°F
Tranches de jambon de 1/2 po (12,7 mm) d'épaisseur	350° – 375°F
Crêpes, pain doré	350° – 375°F
Pommes de terre, pommes de terre rissolées	400° – 425°F

* Pour garantir une cuisson uniforme, assurez-vous que l'épaisseur des aliments est uniforme.

Cuisson sur la plaque chauffante

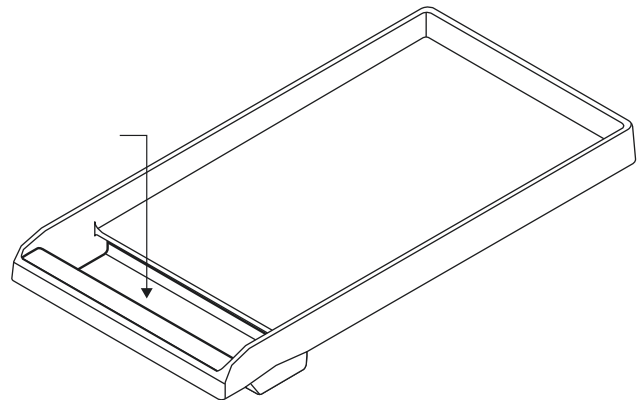
1. Tournez le bouton à la température de cuisson appropriée pour préchauffer la plaque chauffante.
2. Préchauffez la plaque chauffante.
3. Ajoutez du beurre, de la margarine, de l'huile ou de la graisse végétale, si désiré.

Utilisez le réglage de température le plus bas possible. Vous pourriez avoir à modifier les recettes, car le revêtement antiadhérent brunit et saisit les aliments à de basses températures.

Recommandations pour le nettoyage

- N'immergez **JAMAIS** une plaque chauffante chaude dans l'eau froide. La plaque d'aluminium pourrait gondoler ou se fissurer.
- Ne faites **PAS** chauffer d'ustensiles de cuisson sur la plaque à griller.
- Ne nettoyez **AUCUNE** partie du gril ou de la plaque chauffante dans le four en mode autonettoyage.
- Prenez garde de ne pas endommager la surface avec les ustensiles.
 - Ne coupez pas directement d'aliments sur la plaque chauffante.
 - Ne pas utiliser des ustensiles en métal.
 - Utilisez des ustensiles de plastique ou de bois pour éviter d'égratigner la surface antiadhérente.
- Vous pouvez laver la plaque chauffante au lave-vaisselle. Cependant, nous recommandons de la laver à la main.

Plateau à graisse de la plaque chauffante



- Nettoyez le plateau à graisse après chaque utilisation. Lorsque vous le retirez en l'inclinant, faites attention pour ne pas que son contenu se déverse.
- Le plateau de la plaque chauffante et son plateau à graisse sont lavables au lave-vaisselle.
- Lorsqu'elle a refroidi, versez la graisse dans un contenant résistant à la graisse avant de la jeter.

Instructions de graissage de la plaque chauffante

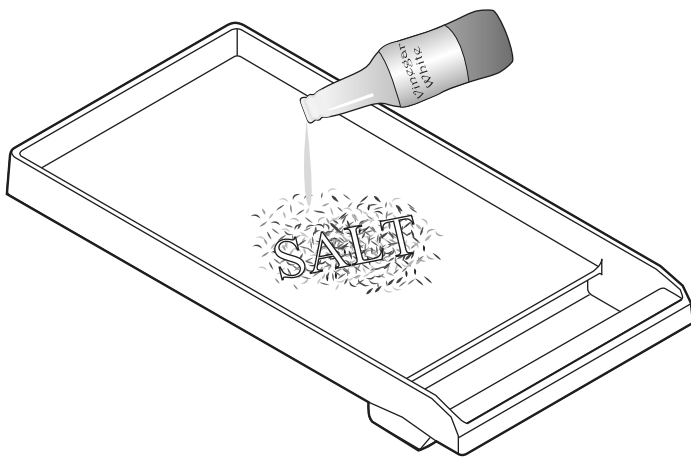
Si la plaque chauffante perd ses propriétés antiadhérentes au fil du temps, suivez les instructions suivantes pour les lui redonner. Pour assurer le rendement optimal et la longévité de votre plaque chauffante, suivez ces instructions simples de nettoyage et de graissage.

REMARQUE : Les plaques à frire de 24 po (61 cm) sont trop grandes pour procéder à un conditionnement dans la cavité du four. Par conséquent, prenez soin de ne pas surchauffer le four ni d'endommager les revêtements anti-adhésifs lors du préchauffage du four et de la cuisson.

Préparation de la plaque chauffante pour le graissage

La plaque chauffante doit être propre et tous les résidus doivent être enlevés avant de procéder au graissage.

1. Utilisez un mélange de gros sel avec un peu de vinaigre blanc pour déloger les résidus de la plaque chauffante.

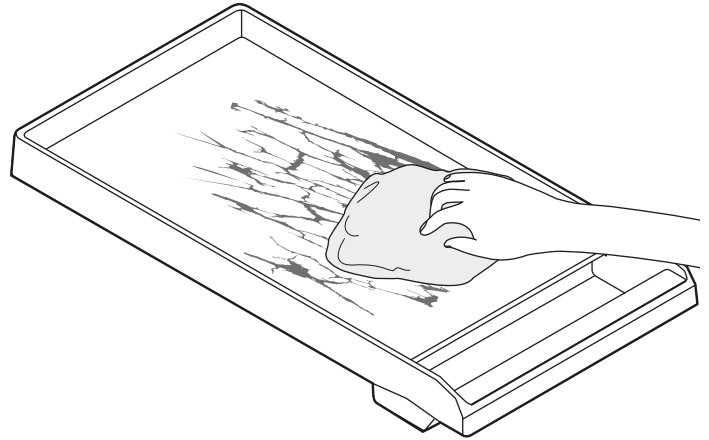


2. Rincez en profondeur avec de l'eau claire.
3. Séchez totalement la plaque chauffante.

Graissage de la plaque chauffante

Le graissage est un processus par lequel une couche de graisse animale ou d'huile végétale est appliquée et cuite sur un ustensile de cuisson. La couche d'huile fournit une surface antiadhérente.

1. Utilisez un essuie-tout pour appliquer une couche mince et uniforme de lard, de Crisco[®], ou d'huile d'olive sur la surface de la plaque chauffante.



2. Faites cuire la plaque chauffante à 350 °F pendant une heure.
3. Retirez la plaque chauffante du four et laissez-la refroidir à la température ambiante.
4. Appliquez une deuxième couche de graisse ou d'huile et faites cuire la plaque chauffante à 350 °F pendant une autre heure.
5. Répétez le processus au moins une autre fois pour un total de trois couches d'huile ou de graisse.

Après le graissage

1. Après avoir fait cuire votre plaque chauffante, laissez-la refroidir et nettoyez-la avec un chiffon humide. Laissez-la sécher.
2. Ajoutez une mince couche d'huile ou de graisse avant d'entreposer la plaque chauffante dans un endroit frais et sec.
3. Ce processus redonnera à la plaque chauffante ses propriétés antiadhérentes. Le rendement de la plaque chauffante s'améliorera avec d'autres graissages.
4. Pour dégraisser la plaque chauffante avant de procéder à son graissage, utilisez un mélange de sel et de vinaigre.

Gril électrique

Description

⚠ AVERTISSEMENT

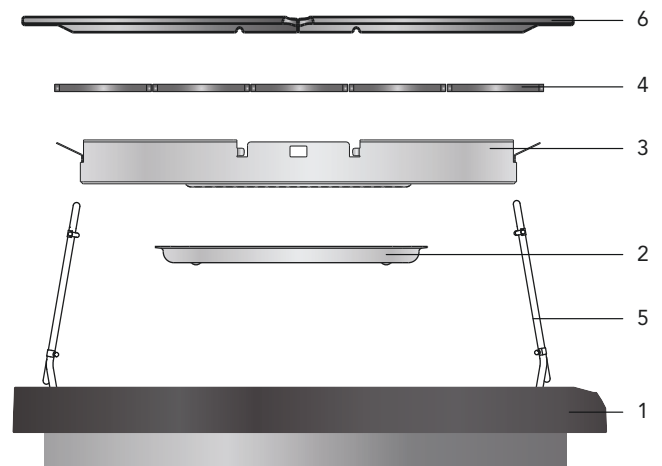
- Pour éviter tout risque de blessure, ne faites **JAMAIS** fonctionner le gril s'il n'y a pas de grilles ou de plaque chauffante installées.
- Ne laissez **JAMAIS** le gril sans surveillance lorsque vous cuisinez.
- Faites attention lorsque vous utilisez de l'huile et de la graisse. Lorsqu'ils sont surchauffés, les huiles et la graisse peuvent provoquer des incendies.
- **N'utilisez PAS** de copeaux de bois, pierres de lave, ou de briquettes de charbon. N'utilisez que les briquettes de céramique (PABRICKBKN) recommandées.
- **N'utilisez PAS** de plats, casseroles, poêlons ou autre ustensile sur le gril.
- **N'utilisez jamais** du papier d'aluminium pour couvrir les grilles ou envelopper le gril. Vous pourriez endommager le gril et causer un incendie si de la chaleur reste emprisonnée.
- Vérifiez le plateau à graisse avant chaque utilisation. Une trop grande quantité de graisse dans le plateau peut causer un risque d'incendie.
- Si des flammes apparaissent, nettoyez le gras accumulé sur les grilles, le plateau à graisse, le panier des briquettes de céramique et les autres surfaces.
- L'accumulation de graisse favorise la formation de flammes et de fumée pendant la cuisson.
- Vous devez remplacer les briquettes de céramique lorsqu'elles sont noires, ce qui signifie qu'elles sont saturées de gras. Elles peuvent alors générer beaucoup de fumée ou prendre feu pendant le fonctionnement de l'appareil.

NOTE : Seulement sur certains modèles.

Les grilles du gril encastrable sont faites de fonte de qualité professionnelle. Ce métal fait en sorte que les grilles répartissent uniformément la chaleur et sont faciles à nettoyer.

Il est possible d'installer une plaque chauffante de fonte antiadhérente, vendue séparément. Consultez les instructions de l'accessoire de la plaque chauffante pour obtenir plus de détails.

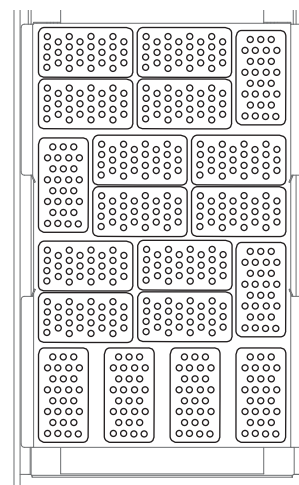
Assemblage du gril



- 1 Boîtier du gril
- 2 Plateau à graisse
- 3 Panier des briquettes de céramique
- 4 Briquettes de céramique
- 5 Éléments (x2)
- 6 Grilles du gril (x2)

Pour l'assemblage

1. Effectuez la rotation des éléments (5) et enlevez le briquettes de céramique (3) se trouvant à l'intérieur du boîtier du gril (1).
2. Installez le plateau à graisse (2) sous le boîtier du gril (1). (Le plateau à graisse est emballé dans la grande boîte en carton qui se trouvait sur le dessus de la cuisinière.) Alignez les saillies du plateau à graisse (2) avec les cavités situées sous le boîtier (1).
3. Mettez le briquettes de céramique (4) dans le boîtier du gril (1).
4. Disposez les briquettes de céramique (4) dans le panier à briquettes (3), en une seule couche, de façon à ce que chacune d'elles touche les autres briquettes adjacentes. Les briquettes de céramique ne doivent pas entrer en contact avec les éléments chauffants.



5. Rabattez les deux éléments chauffants du gril vers le bas (5). Les éléments chauffants du gril doivent être à plat. Les supports doivent reposer à l'intérieur des crans latéraux.
6. Installez les grilles du gril (6). Assurez-vous que les grilles sont installées de niveau dans le boîtier du gril (1).

IMPORTANT :

- Si des flammes se forment pendant l'utilisation du gril, éteignez l'appareil et retirez les aliments. Prenez garde de ne pas vous blesser lorsque vous retirez les aliments.
- Souvent, les flammes s'éteignent d'elles-mêmes en quelques minutes une fois que les accumulations de graisse se sont consumées. Ne laissez pas le gril sans surveillance avant que les flammes ne se soient éteintes. Vous pouvez étouffer les flammes en les saupoudrant d'une généreuse couche de bicarbonate de soude ou de sel.
- Si des flammes se forment, vous devriez remplacer les pierres à lave ou les briquettes de céramique et nettoyer le gras accumulé sur les grilles, le plateau à graisse, le panier briquettes de céramique et les autres surfaces avant d'utiliser à nouveau le gril. Les accumulations de graisse favorisent la formation de flammes et de fumée pendant la cuisson.
- Séchez les aliments humides avant de les mettre sur le gril.
- Plus un aliment est humide, plus il est susceptible de produire de la fumée.
- Lorsque vous utilisez le gril, la graisse qui s'échappe des aliments peut s'enflammer brièvement.

▲ AVERTISSEMENT

POUR ÉVITER TOUT RISQUE DE BRÛLURE :

- Utilisez les ustensiles appropriés avec de longues poignées qui vous permettent de manier les aliments loin de la chaleur et des flammes.
 - NE portez PAS de vêtements amples lorsque vous cuisinez.
 - Ne laissez jamais le gril sans surveillance lorsque vous cuisinez.
 - Après chaque utilisation, enlevez les accumulations de graisse sur la surface du gril et dans les plateaux à graisse pour réduire les risques d'incendie. Vous devriez également nettoyer régulièrement la hotte et les surfaces adjacentes au gril selon les recommandations du manuel d'utilisation.
 - Gardez un extincteur à portée de la main.
-

Fonctionnement du gril

1. Avant d'allumer l'appareil, assurez-vous qu'il y a des briquettes de céramique l'appareil et que les deux grilles du gril sont correctement installées.
2. Appuyez sur le bouton de réglage de température et tournez-le à la température souhaitée.
 - Les deux éléments chauffants du gril peuvent être ajustés séparément. Cela vous permet de faire griller des aliments à deux températures différentes en même temps. Aussi, vous pouvez utiliser une partie pour faire griller les aliments et l'autre partie pour les garder chauds.
3. Lors de la première utilisation, faites chauffer le gril pendant environ dix minutes pour éliminer les résidus de fabrication et libérer les mauvaises odeurs.
4. Pour obtenir de meilleurs résultats, préchauffez le gril avant de faire cuire des aliments.

▲ ATTENTION

Nettoyez le gril après chaque utilisation. Laissez à l'appareil le temps de refroidir avant de le nettoyer.

Conseils de grillade

- Préchauffez toujours le gril. Lorsque vous cuisinez à la puissance maximale, préchauffez le gril à HIGH pendant dix minutes. Lorsque vous cuisinez à intensité moyenne, préchauffez le gril à HIGH pendant cinq minutes, puis réduisez la température une fois que les aliments sont sur le gril.
- Faites tremper les brochettes de bois dans de l'eau pendant au moins 20 minutes avant de les mettre sur le gril.
- Avant de faire griller des aliments, vous pouvez les badigeonner d'huile résistant à la chaleur (comme de l'huile d'arachides) ou les faire mariner. Assurez-vous de ne pas utiliser trop d'huile ou de marinade, sans quoi les aliments pourraient prendre feu et produire beaucoup de fumée.
- Déposez les aliments directement sur les grilles du gril. N'utilisez pas de papier d'aluminium ou de plateaux.
- La viande salaisonnée, comme le jambon ou les côtelettes de porc fumées, n'est pas faite pour être grillée. Des composés chimiques mauvais pour la santé peuvent se former lors de leur cuisson sur le gril.
- Pour éviter que les aliments ne s'enflamment, enlevez l'excédent de gras avant de les faire griller.
- N'utilisez PAS de produits nettoyants sur les éléments. S'il y a de la graisse sur les éléments, laissez-leur le temps de brûler.
- Pour absorber le gras de la plaque chauffante, saupoudrez-la avec du gros sel après chaque utilisation.

Recommandations pour la cuisson sur le grill

IMPORTANT :

- VOUS NE DEVRIEZ PAS UTILISER LE GRIL SANS UNE VENTILATION ADÉQUATE.
- Vous ne devriez pas préparer d'aliments à forte teneur en gras sur un grill intérieur. Le fait de faire griller des aliments à forte teneur en gras (comme certains types de bœuf haché, saucisses, etc.) augmente les possibilités de formation de fumées et de flammes.












Aliment*	Réglage**	Temps de cuisson (minutes)	Notes
Bœuf			
Hamburgers, ¾" (2 cm) (à point)	Feu vif	12 – 14	Tourner une fois que du jus apparaît à la surface.
Steak d'ailoyau, 1½" (4 cm) (à point)	Feu vif	20 – 22	Enlever l'excédent de graisse.
Faux-filet ou surlonge, 1" (3 cm) (à point)	Feu vif	10 – 12	Enlever l'excédent de graisse.
Brochettes, steak (à point)	Feu vif	24 – 28	Tourner de temps en temps.
Porc			
Côtelettes de porc, ¾" (2 cm)	Feu vif	16 – 20	Enlever l'excédent de graisse.
Saucisses ou Bratwurst	Feu moyen	16 – 20	Perçer avant de griller.
Hot Dogs	Feu vif	6 – 8	Placer horizontalement sur le grill.
Volaille			
Cuisses et pilons	Feu moyen	34 – 38	Tourner de temps en temps, enlever l'excédent de peau.
Ailes de poulet, entières	Feu moyen	18 – 22	Tourner de temps en temps.
Poitrines de poulet sans os, ½" (1 cm)	Feu moyen	20 – 24	Couper en filets de la même épaisseur avant de faire cuire.
Brochettes, poulet	Feu vif	30 – 33	Tourner de temps en temps.
Fruits de mer			
Darnes, 2" (6 cm)	Feu moyen	18 – 20	Badigeonner d'huile avant de faire griller.
Filets de poisson, ¾" (2 cm)	Feu moyen	16 – 20	Badigeonner d'huile avant de faire griller.
Brochettes de crevettes	Feu moyen	10 – 14	Tourner de temps en temps.
Fruits et légumes frais			
Champignons portobello	Feu vif	8 – 10	Badigeonner d'huile.
Poivrons, quartiers	Feu vif	8 – 10	Tourner de temps en temps.
Aubergine en tranches, ½" (1 cm)	Feu vif	8 – 10	Badigeonner avec un peu d'huile.
Tomates, coupées en deux	Feu vif	8 – 10	Badigeonner d'huile.
Ananas en tranches	Feu vif	4 – 6	—
Pêches, coupées en deux	Feu vif	4 – 6	—
Autre			
Pains à hot dog ou hamburger	Feu moyen	4 – 6	Badigeonner de beurre.
Tofu ferme en tranches	Feu moyen	8 – 12	Mettre en brochette pour une grillade facile.






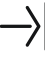



* Pour une cuisson uniforme, veuillez bien répartir les aliments sur la surface de cuisson.

** Les réglages apparaissant dans le tableau ne devraient être considérés que comme des lignes directrices puisque la quantité de chaleur requise peut varier selon le type et l'état des aliments.

Utilisation du four

Symboles et descriptions

Symbole/Mode	Définitions et recommandations	Élec- trique princi- pale	Princi- pal gazier	Élec- trique secon- daire	Gazier secon- daire
 Cuisson	Cuit les aliments avec de l'air chaud et sec. Différents types d'aliments comme des gâteaux, des biscuits, des pâtisseries, des pains éclair, des quiches et des casseroles.	✓	✓	✓	✓
 Cuisson conv.	Semblable au mode Cuisson, mais un ventilateur à l'arrière du four fait circuler l'air. Idéal pour les produits boulangers comme les gâteaux, les pains de maïs, les tartes, les pains éclair, les tourtes et les pains à la levure.	✓	✓	✓	✓
 Conv. vérit.	Utilise la chaleur diffusée par un troisième élément situé à l'arrière du four. La chaleur circule à l'intérieur du four grâce au ventilateur à convection. Convient tout particulièrement aux aliments en portions individuelles comme les biscuits et les pâtisseries.	✓			
 Gril	Utilise la chaleur intense diffusée par l'élément supérieur. Pour des pièces tendres et épaisses de viande (1 po/2,5 cm ou moins) ou de volaille; faire dorer le pain et les casseroles.	✓	✓	✓	✓
 Gril à conv.	Allie la chaleur intense diffusée par l'élément supérieur à l'air chaud qui circule sous l'action d'un ventilateur. Pour des pièces tendres de viande (plus de 1 po/2,5 cm), de volaille et de poisson. Ne convient pas au brunissage.	✓		✓	
 Apprêt	Fait lever la pâte levée et le pain au levain.			✓	✓
 Rôtir	Utilise davantage la chaleur intense diffusée par l'élément supérieur, brunissage plus intense de l'extérieur du mets. Idéal pour la viande, la volaille, les morceaux moins tendres de viande et les légumes rôtis.	✓	✓	✓	✓
 Rôtir conv.	Allie la chaleur de la sole et la chaleur plus intense diffusée par l'élément supérieur (que celle de la cuisson avec convection) à l'air chaud qui circule sous l'action d'un ventilateur. Pour les morceaux tendres de viande et de volaille et les légumes rôtis. La viande est plus tendre et juteuse qu'en mode Rôtir.			✓	
 Sabbath/Cuisson prolongée	Ce mode de cuisson aide l'utilisateur à se conformer aux principes du Sabbath.	✓	✓	✓	✓
 Garder chaud	Maintien une faible température pour maintenir les aliments chauds. Idéal pour les produits boulangers comme les gâteaux, les pains de maïs, les tartes, les pains éclair, les tourtes et les pains à la levure.			✓	
 Autonettoyage	Le four atteint une température très élevée d'environ 850 °F (454 °C) pour brûler les débris alimentaires.	✓	✓	✓	✓

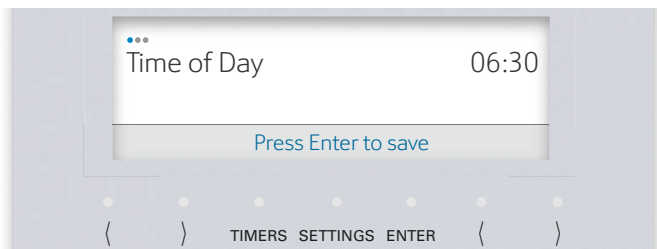
Symbole/Mode	Définitions et recommandations	Élec- trique princi- pale	Princi- pal gazier	Élec- trique secon- daire	Gazier secon- daire
 Démarrage à distance	La fonction permet à l'utilisateur de démarrer, faire une pause et mettre fin à des programmes du four, et ce à distance par l'appli Home Connect.	✓	✓		
 Préchauffage rapide	Ce symbole s'affiche lorsque le four est en mode préchauffage.	✓		✓	
 Sonde thermométrique	S'affiche à la détection d'une sonde.	✓	✓	✓	✓
 Minuterie de cuisine	La minuterie de cuisine fonctionne de façon indépendante des autres fonctionnalités de l'appareil électroménager.	✓	✓	✓	✓
 Temps de cuisson	Affiche le temps restant du fonctionnement du four avant qu'il ne s'arrête automatiquement.	✓	✓		
 Heure de fin	S'utilise lorsque le démarrage programme du four est reporté. Affiche l'heure du jour à laquelle le four s'éteindra automatiquement.	✓	✓		
 Verrouillage du panneau	Empêche toute mise sous tension du four ou bloque toute modification accidentelle des réglages.	✓	✓	✓	✓
 Verrouillage de porte	Symbole affiché au cours du mode d'autonettoyage et après celui-ci alors que la porte est verrouillée.	✓	✓	✓	✓
 Réparations à distance	Ce symbole est affiché lorsque le service après-vente est connecté pour un accès à distance.	✓	✓	✓	✓

Configuration initiale

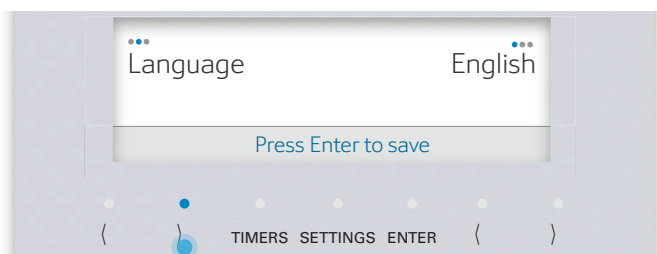
Paramètres de démarrage

Vous pouvez accéder aux réglages à tout moment un appuyant sur **RÉGLAGES (SETTINGS)** alors que l'appareil électroménager est en mode Veille.

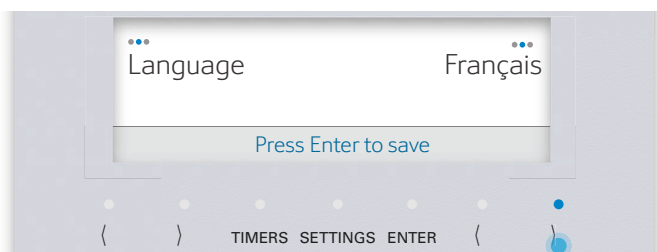
1. Raccordez l'appareil électroménager à l'alimentation secteur.



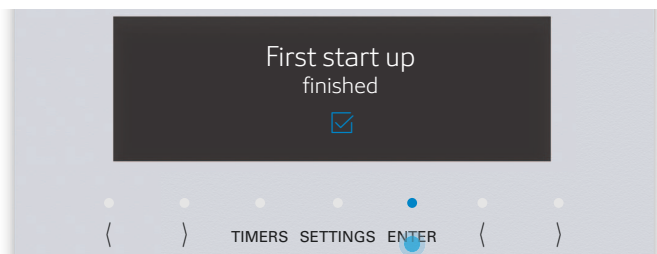
2. Sélectionnez le paramètre voulu avec les gauche (ou).



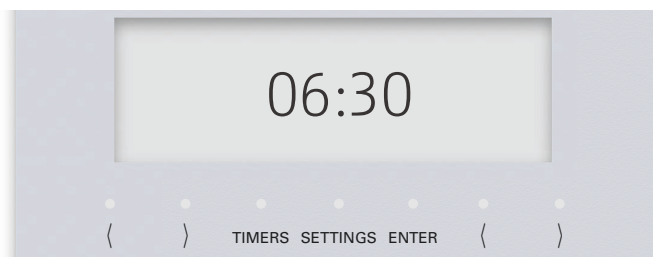
3. Modifiez le paramètre de réglage avec les droite (ou).



4. Effleurez **ENTRÉE (ENTER)**.



- L'écran passe en mode Veille.



Réglages offerts

Réglage	Option
Heure	Temps donnée en heures et en minutes
Langue	English, Français, Español
Format de l'heure	12 h, 24 h
Affichage de l'heure	Numérique, analogue
Préchauffage rapide	Marche/arrêt
Son des touches	Marche/arrêt
Luminosité de l'écran	1 – 5
Mode veille	Marche/arrêt
Conversion de la convection	Marche/arrêt Réduit la température du four de 25 °F (4 °C)
Écart de température	<ul style="list-style-type: none">• Écart temp. : four de droite de -35 à +35 °F (-20/+20 °C)• Écart temp. : four de gauche de -35 à +35 °F (-20/+20 °C)
Sabbat	Marche/arrêt
Home Connect	Configuration avec l'assistant
Réglages usine	Restauration
Accès pour service	Connexion
Service après-vente	Affiche les coordonnées du Service après-vente

Assistant Home Connect

À propos de Home Connect

Pour certains modèles, l'assistant Home Connect fait partie de l'installation initiale de l'appareil électroménager. Si on saute l'installation de Home Connect au cours du premier démarrage de l'appareil électroménager, on peut y accéder par le menu des réglages.

Il faut d'abord réussir l'installation de l'application Home Connect sur un appareil mobile. Consultez la section "Configuration de Home Connect™" à la page 103 pour connaître l'ensemble des directives d'installation de l'application Home Connect.

Configuration de Home Connect

Vous pouvez démarrer l'assistant Home Connect pour établir la connexion au réseau Home Connect et appairer l'appareil mobile.

1. Commencez à partir du mode **VEILLE (STANDBY)** et sélectionnez **RÉGLAGES (SETTINGS)**.
2. Appuyez sur la gauche (ou) pour et sélectionnez **HOME CONNECT**.
3. Appuyez sur **ENTRÉE (ENTER)**.
4. Suivre les instructions de l'afficheur.

Protection des données

Les catégories suivantes de données sont transmises au serveur Home Connect lors de la première connexion de l'appareil électroménager à un réseau local (WLAN) communiquant avec Internet (première inscription) :

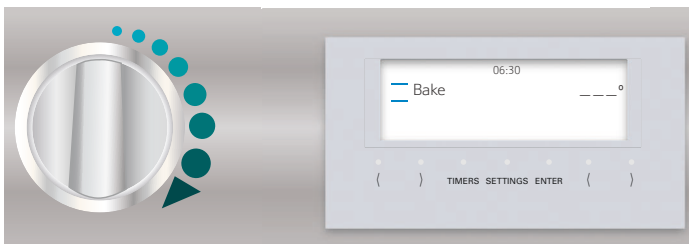
- Identifiant unique de l'appareil électroménager (composé des codes de l'appareil de même que l'adresse MAC du module de communication Wi-Fi installé).
- Le certificat de sécurité du module de communication Wi-Fi (pour assurer une connexion informatique sécurisée).
- Les versions actuelles du logiciel et du matériel informatique de l'appareil électroménager.
- L'état de toute réinitialisation antérieure des pré-réglages faits en usine.

La première inscription de l'appareil prépare l'utilisation des fonctions Home Connect et ne sont nécessaires que lors de la première utilisation des fonctions Home Connect.

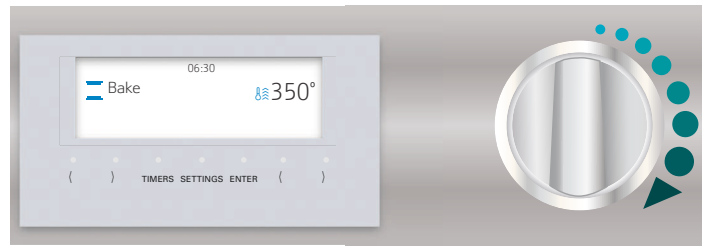
Réglage du four

Mode de cuisson et température

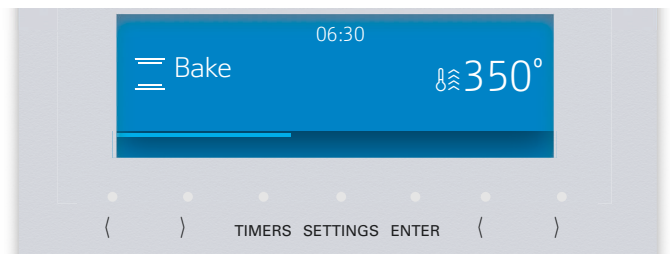
1. Insérez la grille au niveau désiré et fermez la porte.
2. Tournez le bouton mode à **CUISSON (BAKE)**, par exemple.



3. Tournez le bouton de **TEMPÉRATURE** du four.



- L'indicateur de température commencera à bouger vers le réglage de température désirée. L'indicateur de température reflète le réglage de température.
- L'aiguille de l'indicateur de température se déplacera vers la nouvelle température choisie si le réglage de température est plus haut ou plus bas. La jauge ne sert qu'à des fins de référence.
- La barre de préchauffage se déplace vers la droite.



- Ê la fin de préchauffage du four, la barre de préchauffage et le symbole s'estompent.

4. Une fois le four chaud, insérez les aliments dans la cavité.

Kitchen timer (minuterie cuisine)

À propos la minuterie de cuisine

- La minuterie peut être réglée jusqu'à 24 heures.
- Elle peut être utilisée même si la cuisinière est en marche et est indépendante de toutes les autres fonctions.
- L'appareil électroménager ne s'allume pas et ne s'éteint pas automatiquement.

Pour régler la minuterie de cuisine

1. Effleurez **MINUTERIES (TIMERS)**.
2. Appuyez de gauche (ou) pour sélectionnez **MINUTERIE CUISINE (KITCHEN TIMER)**.
3. Appuyez de droite (ou) pour sélectionner la durée souhaitée et effleurez **ENTRÉE (ENTER)**.
 - Un signal sonore retentit à la fin du temps écoulé. Appuyez sur **ENTRÉE (ENTER)** pour interrompre la sonnerie et la minuterie.

Modification d'une minuterie en cours de fonctionnement :

1. Effleurez **MINUTERIES (TIMERS)**.
2. Appuyez de droite (ou) pour sélectionner la durée souhaitée et effleurez **ENTRÉE (ENTER)**.

→| Oven timer (minuterie de four)

À propos la minuterie de four

La minuterie du four sert à éteindre mécaniquement le four lorsque le temps de cuisson désiré est complété.

Pour régler la minuterie du four

1. Tournez le bouton sélecteur de mode à **CUISSON (BAKE)**, par exemple.
2. Tourner le bouton de mode de cuisson et celui de la **TEMPÉRATURE** du four à 350°F, par exemple.
3. Effleurez **MINUTERIES (TIMERS)**.
4. Appuyez de gauche (ou) pour sélectionnez **MINUTERIE DE FOUR (OVEN TIMER)**.
5. Appuyez de droite (ou) pour sélectionner la durée souhaitée et effleurez **ENTRÉE (ENTER)**.
 - Un signal sonore retentit à la fin du temps écoulé. Appuyez sur **ENTRÉE (ENTER)** pour interrompre la sonnerie et la minuterie.

Modification d'une minuterie en cours de fonctionnement :

1. Effleurez **MINUTERIES (TIMERS)**.
2. Appuyez de droite (ou) pour sélectionner la durée souhaitée.
3. Effleurez **ENTRÉE (ENTER)**.

→| End timer (fin de la minuterie)

Vous pouvez reporter le temps de cuisson à une heure ultérieure. Par exemple : il est 16 h. Le plat doit cuire pendant 40 minutes. Vous voulez qu'il soit prêt à 17 h 30. Saisissez la durée du temps de cuisson et reportez l'heure de fin jusqu'à 17 h 30. L'appareil électroménager se met en marche automatiquement à 16 h 50 et s'éteint de lui-même à 17 h 30.

Rappelez-vous de ne pas laisser des aliments qui ne se conservent pas très bien dans le four pour des périodes prolongées.

Réglage de l'heure de fin :

1. Réglez le mode de cuisson désiré ainsi que la température du four.
2. Appuyez **MINUTERIES (TIMERS)**.
3. Appuyez de gauche (ou) pour sélectionnez **MINUTERIE DE FOUR (OVEN TIMER)**.
4. Appuyez de droite (ou) pour sélectionnez pour régler l'heure du four.
5. Appuyez de gauche (ou) pour sélectionnez l'**HEURE DE FIN (END TIME)**.
6. Appuyez de droite (ou) pour sélectionnez pour régler l'heure de fin (end time) et effleurez **ENTRÉE (ENTER)**.
 - Après la confirmation de l'heure de fin, l'avis de temps d'attente s'affiche à l'écran.
 - Après la période d'attente, le four commence à chauffer.



Fast preheat (préchauffage rapide)

Préchauffage rapide

- Pour certains modes de cuisson, vous pouvez réduire la durée du temps de préchauffage en appuyant sur Préchauffage rapide. Le préchauffage rapide est habituellement recommandé pour les plats préparés surgelés, en casserole ou tout autre aliment qui demande des temps de cuisson prolongés. Ce mode de cuisson n'est pas recommandé pour les produits de boulangerie.
- L'appareil continuera de fonctionner en mode Préchauffage rapide sans interruption jusqu'à un changement manuel de l'utilisateur ou lors d'une coupure de courant; dans ce cas, il faut réinitialiser le préchauffage rapide.
- Il est également possible d'activer le préchauffage rapide du deuxième four dans les modèles de 48 po (122 cm).
- Le préchauffage rapide est offert pour les modes Cuisson, Cuisson à convection, Rôtissage et Rôtissage par convection.
- Pour un résultat de cuisson uniforme, ne déposez pas les aliments dans le four avant la fin du Préchauffage rapide.

Pour régler le préchauffage rapide

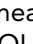
1. Commencez à partir du mode **VEILLE (STANDBY)** et sélectionnez **RÉGLAGES (SETTINGS)**.
2. Appuyez sur la gauche (ou) pour et sélectionnez **PRÉCHAUFFAGE RAPIDE (FAST PREHEAT)**.
3. Appuyez sur **ENTRÉE (ENTER)**.

Panel lock (verrouillage panneau commande)

À propos du verrouillage panneau commande

- Le dispositif de verrouillage du tableau de commande est un mécanisme de sécurité pour enfants afin d'éviter que ces derniers n'allument le four par mégarde ou qu'ils n'en modifient les paramètres.
- Le verrouillage du bandeau de commande ne peut être activé qu'en mode de veille.
- Lorsque le dispositif de verrouillage du tableau de commande est activé, toutes les touches sont verrouillées à l'exception de l'heure de cuisson, de la minuterie et de l'activation / désactivation.

Activer et désactiver le dispositif de verrouillage du tableau de commande :

1. Appuyez et maintenez la **TIMERS** touche enfoncée pendant 4 secondes.
 - Le symbole de verrouillage du panneau  et **PANEL LOCKED (PANNEAU VERROUILLÉ)** s'afficheront à l'écran, deux signaux sonores retentiront.

Pour désactiver le verrouillage du panneau :

1. Appuyez et maintenez la **TIMERS** touche enfoncée pendant 4 secondes.
 - Le symbole de la clé sur l'affichage disparaîtra.

Conversion de convection

Conversion convection

- Pour préparer la plupart des aliments cuits au four avec utilisation des modes Cuisson par convection et Convection véritable (biscuits, gâteaux, tartes, etc.), il faut souvent réduire la température du four de 25 F (5 C). Le réglage Conversion Convection réduit automatiquement la température saisie.
- L'appareil continuera d'utiliser la valeur de Conversion convection sans interruption jusqu'à un changement manuel de l'utilisateur ou lors d'une coupure de courant; dans ce cas, il faut réinitialiser la Conversion convection.
- La Conversion convection est uniquement offerte pour les modes Cuisson à convection et Convection véritable.
- Il ne faut pas réduire la température pour les viandes et la volaille. Il faudrait respecter les températures recommandées dans les recettes et les tableaux de cuisson pour les viandes et la volaille.

Pour la conversion de convection

1. Commencez à partir du mode **VEILLE (STANDBY)** et sélectionnez **RÉGLAGES (SETTINGS)**.
2. Appuyez sur la gauche < ou > pour sélectionnez **CONVERSION DE CONVECTION (CONVECT CONVERSION)**.
3. Appuyez de droite < ou > et sélectionnez **ACTIVÉE (ON)**.
4. Appuyez sur **ENTER**.
5. Tourner le bouton de mode de cuisson à **CONV BAKE** (Cuisson par convection) et celui de la température à la **TEMPÉRATURE** indiquée dans la recette.
 - Les commandes du four calculent automatiquement la bonne température pour ces modes automatiques en réduisant la température saisie de 25 °F (5 °C).
6. Laissez au four le temps de préchauffer puis enfournez les aliments.

Réglage précis du four (décalage de température)

À propos du décalage de température

Elle donne à l'utilisateur la possibilité d'ajuster les paramètres de cuisson selon les réglages personnels qu'il désire obtenir en lui permettant de décaler la température du four de +/- 35°F, à coup de 5°F par rapport à ce qu'indique le tableau de commande. Cette fonction est utile si vous trouvez que les aliments sont continuellement trop brunis ou trop pâles à votre goût.

- La fonction de décalage est disponible à tous les modes, sauf pour l'autonettoyage.
- Par défaut, la température est ajustée à 0°.
- L'appareil continuera d'appliquer la valeur de décalage entrée indéfiniment jusqu'à ce que l'utilisateur choisisse de la modifier ou jusqu'à ce qu'il manque d'électricité. La fonction de décalage de température devra alors être réinitialisée.

Pour régler offset

1. Commencez à partir du mode **VEILLE (STANDBY)** et sélectionnez **RÉGLAGES (SETTINGS)**.
2. Appuyez sur la gauche < ou > pour sélectionnez **ÉCART TEMP. : FOUR DE DROITE/GAUCHE (TEMP OFFSET: RIGHT/LEFT OVEN)**.
3. Appuyez de droite < ou > pour réglez la température.
4. Appuyez sur **ENTRÉE (ENTER)**.

Sabbath (Sabbat)

Le mode Sabbath est conforme aux normes établies par Star K. Sachez qu'il existe des restrictions d'utilisation des appareils de cuisson le jour du Sabbath et lors des Fêtes. Veuillez remarquer que lorsque les deux coïncident, les lois régissant le Sabbath prévalent. Si vous n'êtes pas familier avec les lois concernant le maintien au chaud des aliments le jour du Sabbath ou de la cuisson durant les Fêtes, veuillez communiquer avec le rabbin ou consultez le site Web de Star K au www.start-k.org.

Vous pouvez faire fonctionner cet appareil électroménager le jour du sabbat juif ou lors des fêtes juives si vous respectez les préceptes qui suivent :

Mode Sabbath : utilisation de la table de cuisson

AVERTISSEMENT

Lorsque vous utilisez une plaque, faites fonctionner un seul brûleur STAR[®] au réglage le plus faible. L'utilisation de plusieurs brûleurs STAR peut entraîner une surchauffe ou des problèmes de combustion ou endommager l'appareil électroménager. NE PAS couvrir les orifices d'évacuation.

- Les brûleurs STAR dotés de la fonction XLO[®] sont commandés électroniquement. Par conséquent, lorsque le mode Sabbath est activé, les brûleurs STAR dotés de la fonction XLO sont désactivés pour assurer le respect des préceptes.
- Les brûleurs au gaz STAR standards sans XLO demeurent entièrement fonctionnels.
- Le module de cuisson par induction, la plaque et/ou le gril sont entièrement fonctionnels en mode Sabbath. Toutefois, pour assurer le respect des préceptes, ils ne doivent pas être actionnés.
- Les brûleurs au gaz STAR standards demeurent allumés au cours d'une panne électrique.
- Les brûleurs STAR sont dotés d'une fonction de ré-allumage. Si la flamme est éteinte, l'allumeur rallumera automatiquement le brûleur STAR.
- Au cours du Yom Tov, il ne faut pas rallumer ou éteindre la flamme d'un brûleur au gaz. Toutefois, il est possible de hausser la flamme ou de la rabaisser pour ajuster la chaleur diffusée, nécessaire à la cuisson.
- Au cours du Sabbath, il ne faut pas allumer, ajuster ou éteindre la flamme d'un brûleur au gaz. Vous pouvez utiliser une plaque pour masquer la flamme, les éclairages et les commandes. NE PAS couvrir les orifices d'évacuation.

Mode Sabbath : utilisation du ou des fours

- Le four maintient une température uniforme entre 150 °F et 475 °F (66 °C et 246 °C) en mode Cuisson.
- Les aliments cuits sont maintenus au chaud pour une période minimum de 30 minutes jusqu'à un maximum de 74 heures sans devoir éteindre ou allumer l'appareil électroménager.
- Tous les aliments doivent être déposés dans le four avant le début du Sabbath, car on ne peut le faire au cours du Sabbath. Veuillez remarquer que les aliments facilement périssables ne devraient pas être laissés dans le four trop longtemps.
- Lors du Sabbath, il ne faut pas actionner ou éteindre le four ni ajuster la température.
- Lors du Sabbath, au lieu d'utiliser une plaque, les commandes du four devraient être couverts. Soyez attentifs et ne couvrez pas les orifices d'évacuation.
- La ou les ampoules de l'éclairage du four sont désactivées en mode Sabbath pour prévenir tout allumage inopportun à l'ouverture de la porte du four.
- On peut ouvrir la porte du four une seule fois le jour du Sabbath pour retirer tous les aliments, puis refermez la porte.
- La porte du four peut être ouverte et fermée à tout moment et aussi souvent que nécessaire lors des Fêtes.
- Il est possible d'ajuster la température de cuisson lors des Fêtes. (Il y aura un délai entre la commande et l'activation).

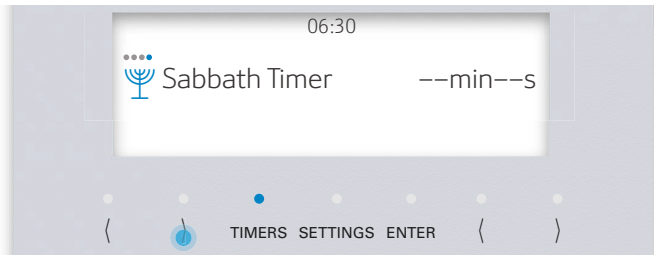
Note à propos des pannes électrique en mode Sabbath

Lors d'une panne électrique avec le four en mode Sabbath, l'appareil sera hors mode au retour de l'alimentation électrique. Le four s'éteindra même s'il était au milieu d'un cycle de cuisson lors de la panne électrique.

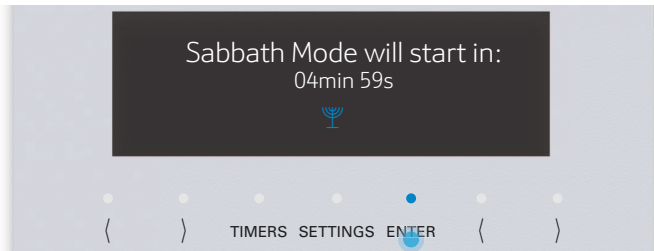
Réglage du mode Sabbath sur le four principal

1. Commencez à partir du mode Sabbath et sélectionnez **SETTINGS** (Réglages) à l'écran du four principal.
2. Effleurez la gauche < ou > pour défiler jusqu'au mode **SABBAT**.
3. Effleurez la droite < ou > et sélectionnez ON (marche) puis effleurez **ENTER** (entrée).
 - Les étapes 1 à 3 sont uniquement nécessaires lors de la première utilisation du mode Sabbath ou si l'appareil électroménager a été réinitialisé en usine.
4. Tournez la molette de commande du four principal à **BAKE** (cuisson) puis la molette de température à la température désirée.
5. Effleurez **TIMERS** (minuteurs) à l'écran du four principal.

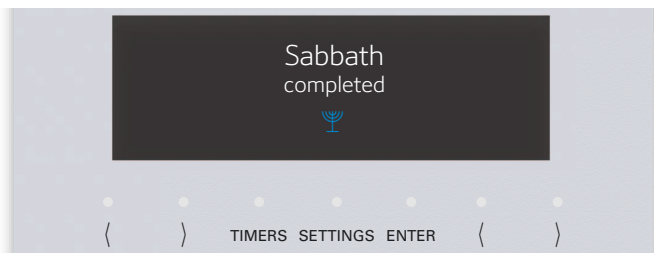
6. Effleurez la gauche (ou) pour défiler jusqu'à **SABBATH TIMER** (minuteur sabbat).



7. Effleurez la droite (ou) et saisissez la durée (**DURATION TIME**) par incréments de 30 minutes.
8. Effleurez **ENTER** (entrée).
 - Un avis de temporisation apparaît.



- Au cours de cette pause de cinq minutes, l'utilisateur peut régler les paramètres. Après le décompte, le four démarre et toutes les commandes sont désactivées.
 - Il est possible de démarrer le four secondaire à n'importe quel mode de cuisson pour lancer le mode Sabbath au cours de la pause de cinq minutes.
9. À la fin du décompte du minuteur Sabbath, repositionnez toutes les molettes à OFF (éteint).



Annulation du mode Sabbath

1. Pour annuler la programmation, positionnez toutes les molettes à OFF (éteint).

Réglage du mode Sabbath sur le four secondaire

1. Commencez à partir du mode Sabbath et sélectionnez **SETTINGS** (Réglages) à l'écran du four principal.
2. Effleurez la gauche (ou) pour défiler jusqu'au mode **SABBATH**.
3. Effleurez la droite (ou) et sélectionnez **ON** (marche) puis effleurez **ENTER** (entrée).
 - Les étapes 1 à 3 sont uniquement nécessaires lors de la première utilisation du mode Sabbath ou si l'appareil électroménager a été réinitialisé en usine.
4. Tournez la molette du four secondaire à **BAKE** (cuisson) et la molette de la température à la température désirée.
5. Effleurez **TIMERS** (minuteurs) à l'écran du four secondaire.
6. Effleurez la gauche (ou) pour défiler jusqu'à **SABBATH TIMER** (minuteur sabbat).
7. Effleurez la droite (ou) et saisissez la durée (**DURATION TIME**) par incréments de 30 minutes.
8. Effleurez **ENTER** (entrée).
 - Au cours de la pause de cinq minutes, l'utilisateur peut régler les paramètres. Après le décompte, le four démarre et toutes les commandes sont désactivées.

Annulation du mode Sabbath

1. Pour annuler la programmation, positionnez toutes les molettes à **OFF** (éteint).

Remote start (démarrage à distance)

AVERTISSEMENT

FONCTIONNEMENT À DISTANCE

On peut configurer cet appareil électroménager pour le télécommander à tout moment. Ne pas ranger de matières inflammables ou d'articles sensibles à la chaleur à l'intérieur, sur le dessus ou près de la surface de l'appareil.

À propos démarrage à distance

Vous devez activer le démarrage à distance pour lancer une commande de four avec l'appareil mobile.

Remarques

- Pour certains modèles, il est possible d'activer un démarrage à distance permanent avec l'appli Home Connect. Cette fonctionnalité permet de démarrer à distance un des modes de fonctionnement disponibles sans désactiver automatiquement le démarrage à distance.
- Tourner le bouton de mode à démarrage à distance (remote start) permet à l'utilisateur de démarrer, faire une pause et mettre fin à des programmes du four, et ce, à distance par l'appli Home Connect sur un appareil mobile.
- Le champ « Démarrage à distance » est visible uniquement après la réussite de la connexion à Home Connect. Consultez la section « Home Connect™ » pour connaître les directives d'installation de l'application Home Connect.
- Certaines commandes se lancent uniquement sur le four.
- Si l'appareil électroménager n'est pas connecté au réseau domestique, il fonctionne de la même façon qu'un four normal sans connexion réseautique et peut toujours être commandé par l'écran.
- La disponibilité de la fonction Home Connect dépend de l'offre des services Home Connect dans votre pays. Home Les services Home Connect ne sont pas offerts dans tous les pays. Pour de plus amples renseignements, veuillez consulter : www.home-connect.com.

Le démarrage à distance est automatiquement désactivé dans les situations suivantes :

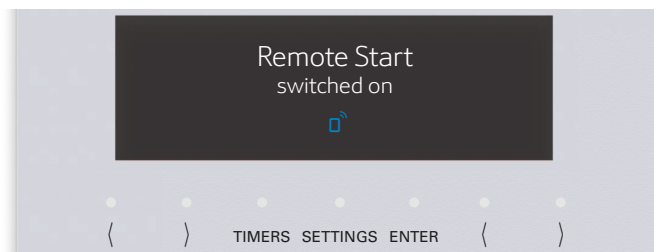
- La porte du four est ouverte 15 minutes après l'activation du démarrage à distance.
- La porte du four est ouverte 15 minutes après la fin du fonctionnement du four.
- Vingt-quatre heures après l'activation du démarrage à distance.


IMPORTANT :

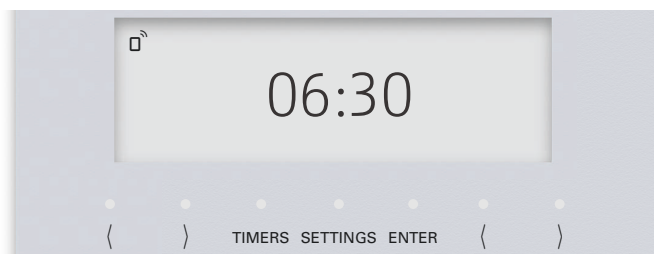
- Assurez-vous de respecter les directives de sécurité décrites au présent mode d'emploi et que ces directives sont aussi respectées lors de la télécommande de l'appareil électroménager par l'appli Home Connect quand vous êtes absent de la maison. Veuillez également respecter les directives de l'application Home Connect.
- Les commandes données directement depuis l'appareil électroménager ont toujours préséance sur les autres. Au cours de cette période, il est impossible de faire fonctionner l'appareil électroménager par l'appli Home Connect.
- Nous travaillons sans relâche pour améliorer l'application Home Connect. Les étapes de configuration peuvent varier légèrement. Veuillez suivre les directives de la dernière version de l'application Home Connect pour vous guider lors du processus de configuration.

Configuration du démarrage à distance

1. Placez les aliments dans la cavité du four et fermez la porte.
2. Tournez le sélecteur de mode du four à **DÉMARRAGE À DISTANCE (REMOTE START)**.
 - NE PAS tourner le bouton du sélecteur de température à tout autre réglage (laissez à la position ARRÊT [OFF]).



- L'écran passera en mode veille et «  » est affiché.

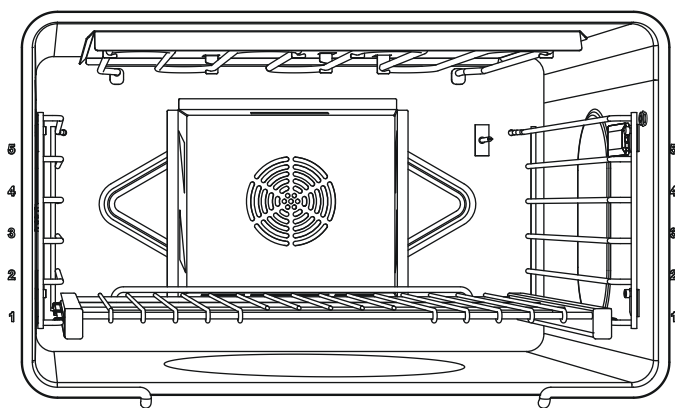


3. Poursuivez avec l'appli Home Connect installé sur l'appareil mobile.

Tirer le meilleur parti de l'appareil

Position des grilles pour la cuisson

Les positions des grilles de four sont numérotées comme un ascenseur. Le numéro un est la position la plus basse et le numéro cinq est celle la plus haute.



NOTE : Les recommandations relatives à la position des grilles s'appliquent à la cuisson au four; toutefois, si une recette suggère une position de grille différente, vous devriez suivre la recette ou les instructions de l'emballage.

== Bake (cuisson)

À propos de la cuisson

Le mode Cuisson revient à faire cuire avec de l'air chaud et sec. Les éléments supérieur et inférieur chauffent à intervalles réguliers pour maintenir la température du four. Le mode Cuisson peut être utilisé pour préparer toute sorte d'aliments, depuis les pâtisseries jusqu'aux plats en casserole. Consulter les conseils de préparation de la recette ou de l'emballage pour connaître les températures et les temps de cuisson.

Cuisson avec une seule grille – four principal

Niveau	Mode cuisson
3	-- Les meilleurs résultats s'obtiennent avec la position de grille numéro 3.
2	-- Si l'aliment occupe beaucoup de place, comme un gâteau des anges. -- Les tartes cuisent mieux à la position 2. Le fond de la pâte devient ainsi croustillant sans que le dessus de la tarte ne soit trop doré. -- Pour faire rôtir de gros morceaux de viande ou de volaille, comme une côte de bœuf ou une dinde.

Cuisson avec deux grilles – principal du four

Niveau	Mode cuisson or cuisson conv
2 et 5 mixtes 2 et 4 gaz	-- Casserole

Four auxiliaire (modèle de 48 po)

Niveau	Mode cuisson
1	-- Les meilleurs résultats s'obtiennent avec la position de grille numéro 1.

Cuisson avec trois grilles dans le four principal

Pour la cuisson avec trois grilles, le mode convection bake (cuisson par convection) doit être utilisé.

Optimisation des résultats

- Réduisez au maximum le temps d'ouverture de la porte.
- Utilisez le récipient recommandé dans la recette.
- Sortez la ou les lèchefrites du four. Une lèchefrite sans aliments nuira au dorage et à la cuisson.
- Le dorage dépend du type d'ustensile utilisé :
 - Pour obtenir des croûtes tendres et légèrement dorées, utilisez des ustensiles antiadhésifs, anodisés ou en métal brillant.
 - Pour des croûtes croustillantes plus dorées, utilisez des ustensiles métalliques antiadhésifs, anodisés ou noirs étamés ou encore en verre convenant aux fours. Vous pourriez avoir à diminuer la température de cuisson de 25°F.

Préchauffer le four

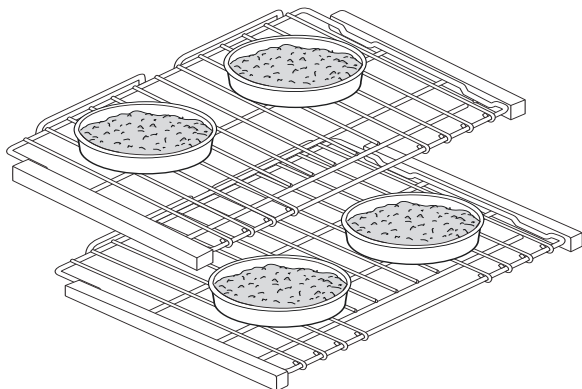
- Plats en métal (avec ou sans revêtement antiadhésif), verre résistant à la chaleur, vitrocéramique, terre cuite ou autres récipients allant au four.
- Les plaques à biscuits adaptées ont un petit rebord d'un seul côté. Les tôles épaisses ou celles qui ont plus d'un côté peuvent modifier le temps de cuisson.

Plats pour le four

- Plats en métal (avec ou sans revêtement antiadhésif), verre résistant à la chaleur, vitrocéramique, terre cuite ou autres récipients allant au four.
- Les plaques à biscuits adaptées ont un petit rebord d'un seul côté. Les tôles épaisses ou celles qui ont plus d'un côté peuvent modifier le temps de cuisson.

Placement des plats

- Laissez un espace d'au moins 25.4 mm (1 po) entre les plats et les parois du four pour que la chaleur puisse circuler.
- Espacez les plats de sorte qu'ils ne se trouvent pas l'un au-dessus de l'autre. Laissez 38 mm (1½ po) au-dessus et en dessous de chaque plat.



Cuisson à haute altitude

Pour la cuisson à haute altitude, en mode cuisson ou cuisson à convection, les recettes et les durées de cuisson varient. Pour une information précise, écrivez à Extension Service, Colorado State University, Fort Collins, Colorado 80521. Vous pourriez avoir à payer des frais pour obtenir les bulletins. Précisez le type d'information désiré (ex. : gâteaux, biscuits, pains, etc).

Condensation

Il est normal de voir une certaine quantité de vapeur d'eau s'échapper des aliments lors de la cuisson. La quantité dépend de la teneur en humidité de l'aliment. L'humidité peut se condenser sur n'importe quelle surface plus froide que la cavité du four, comme par exemple sur le bandeau de commande.

Broil (griller)

À propos du grill

Avant d'allumer le four, placez la grille à la position désirée. Centrez la lèchefrite sous le brûleur du grilloir.

Seul l'élément supérieur passe en mode grill (broil). Bien griller ou brunir les aliments demande une exposition constante à une chaleur intense élevée.

Four principal de cuisinière mixte

Niveau	Mode grill - cuisinière mixte
5	-- Réglez à cette position pour griller des steaks, des galettes de viande, du steak de jambon et des côtelettes d'agneau de 1 po (26 mm) ou moins d'épaisseur, ou pour brunir des aliments.
4	-- Réglez à cette position pour griller des pièces de viande de 1-1/8 po ou plus d'épaisseur, du poisson, de la volaille, des côtelettes de porc, du steak de jambon de 1 po (26 mm) ou plus d'épaisseur.
3	-- Réglez à cette position pour griller des morceaux de poulet ou des demi-poulets.

Four principal au gaz

Niveau	Mode grill - cuisinière au gaz
4	-- Réglez à cette position pour griller des steaks, des galettes de viande, du steak de jambon et des côtelettes d'agneau de 1 po (26 mm) ou moins d'épaisseur.
3	-- Réglez à cette position pour griller des pièces de viande de 1-1/8 po ou plus d'épaisseur, du poisson, de la volaille, des côtelettes de porc, du steak de jambon de 1 po (26 mm) ou plus d'épaisseur.

Four auxiliaire (modèle de 48 po)

Niveau	Mode grill - four auxiliaire
3, 4, ou 5 – mixtes 1, 3, ou 4 – gaz	-- Dépend de type d'aliment et de son épaisseur.
5 – mixtes 3 – gaz	-- Utilisez-la également pour faire dorer le dessus des aliments.

Pour obtenir les meilleurs résultats

Conseils :

- Décongelez les aliments avant de les faire griller.
- Assurez-vous que la porte du four est fermée pendant la grillade.
- Il est recommandé de préchauffer l'élément du grilloir avant de commencer à cuisiner. Faites préchauffer pendant 5 minutes, puis placez le plat dans le four.
- Pour obtenir un point de cuisson saignant, les steaks doivent avoir une épaisseur d'au moins 25 mm (1 po).

- Ne retournez les aliments qu'une fois, au milieu du temps total de cuisson. Il n'est pas nécessaire de retourner les morceaux très fins (tranches de jambon, filets de poisson, etc). Les tranches de foie doivent être retournées indépendamment de leur épaisseur.
- Placez les aliments directement sous l'élément du grilloir pour qu'ils soient bien dorés.

Ustensiles

- La lèchefrite de deux pièces en porcelaine émaillée avec une grille est incluse avec la cuisinière. NE recouvrez **PAS** la grille quadrillée (dessus) avec du papier d'aluminium.
- La petite lèchefrite de deux pièces en porcelaine est conçue pour être utilisée dans le four secondaire des modèles de 48 pouces.
- Utilisez des plats en métal ou en vitrocéramique pour faire gratiner les ragoûts, les plats ou le pain.
- N'utilisez **PAS** de plats en verre résistant à la chaleur ou en terre cuite. Ce type de plats ne résistera pas à l'intense chaleur du grilloir à gaz.

NOTE: Il est impossible d'utiliser simultanément le mode BAKE et le grilloir. Quand l'un d'eux est en marche, l'autre ne peut pas être allumé.

Convection broil (gril à convection)

À propos du gril à convection

Seuls les brûleurs de voûte chauffent au mode broil (grilloir). Pour être réussie, une grillade doit être exposée constamment à une chaleur intense.

Le mode Gril Convection est bien adapté à la cuisson des coupes de viande épaisses et tendres, de la volaille et du poisson. Le mode Gril Convection n'est pas recommandé pour le brunissage des pains, des plats en casserole et autres aliments. Utiliser toujours le mode Gril Convection avec la porte fermée.

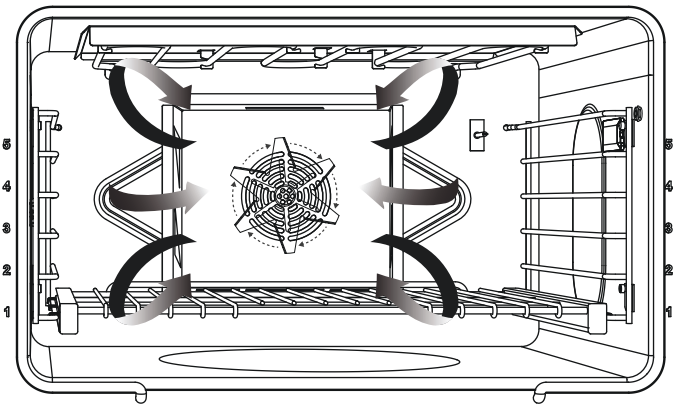
Conseils :

- Préchauffer le four pendant 3 à 4 minutes. Ne pas préchauffer le four au-delà de 5 minutes.
- Le steak et les côtelettes doivent avoir au moins 1 po (2,5 cm) d'épaisseur. Pour le rôti, utiliser un plat à rôti et une lèchefrite ou un plat profond doté d'une plaque-gril en métal.
- Ne pas recouvrir le gril-lèchefrite de papier d'aluminium. Il a été conçu pour faciliter l'écoulement des matières grasses sans contact avec la surface et éviter le dégagement de fumée et les éclaboussures.
- Tourner les viandes (autres que le poisson) une fois pendant la durée de cuisson.

Convection bake (cuisson à convection)

À propos cuisson à convection

Le mode cuisson par convection est similaire au mode cuisson. La chaleur provient des éléments chauffants supérieur et inférieur. La principale différence est que la chaleur circule à l'intérieur de la cavité du four grâce au ventilateur à convection.



Conseils :

- Quand vous utilisez la cuisson par convection, réduisez la température recommandée dans la recette de 14°C (25°F), bien que vous n'avez pas à réduire la température lorsque vous faites cuire de la viande ou de la volaille.
- Lorsque vous faites rôti des viandes, vérifiez la température intérieure avant d'enfourner votre plat pour ajuster le temps de cuisson recommandé dans la recette et éviter qu'il ne soit trop cuit.
- Les casseroles en aluminium offrent les meilleurs résultats de brunissage.
- Les plaques à biscuits à un ou deux côtés donnent les meilleurs résultats. Il est aussi possible d'utiliser des demi-plaques de type commercial en aluminium, mais cela augmente le temps de cuisson.
- Pour un meilleur brunissage, certains ustensiles, comme les plaques à biscuits, les moules à gâteau roulé et les plats rectangulaires doivent être placés sur la largeur de la grille avec les côtés plus courts à droite et à gauche. Ceci permet à l'air de circuler librement.
- Au moment de faire cuire avec plus d'une grille, les plaques à biscuit ne doivent pas être décalées, contrairement aux moules à gâteau ronds.
- Il faut normalement de 10 à 20% moins de temps pour faire rôti de gros morceaux de viande. Vérifiez la cuisson plus tôt.

Cuisson à une grille

Niveau	Mode cuisson à convection
3	-- Pour la cuisson avec une grille, de meilleurs résultats sont obtenus en mode cuisson.
2	-- Pour faire rôtir une dinde ou une grosse pièce de viande.

Cuisson à deux grilles

Niveau	Mode cuisson à convection
2 et 4	<p>-- Les plats ronds de gâteaux peuvent être superposés sur les grilles 2 et 4. Les plaques à biscuits et les plats de gâteaux rectangulaires de 9 po x 13 po doivent être placés directement sur la grille 2, sous celle de la grille 4.</p> <p>-- Ce mode convient pour les gâteaux, les petits gâteaux secs et les biscuits.</p> <p>-- Ces deux grilles peuvent également servir à la préparation d'un copieux repas.</p>

Cuisson à trois grilles

Niveau	Mode cuisson à convection
1, 3, et 5 – mixtes	<p>-- Lorsque vous devez faire cuire plusieurs plaques à biscuits, placez-les directement les unes au-dessus des autres sur leur grille respective pour laisser l'air circuler.</p> <p>-- Niveaux de grille des cuisinières à gaz pour :</p> <p>Biscuits : 2, 3, et 4</p> <p>Autres aliments: 1, 3, et 5</p>

Séchage d'aliments avec le mode de cuisson à convection

Utilisez le mode de cuisson à convection pour sécher et conserver des fruits et légumes.

Conseils :

- Le temps de cuisson varie en fonction du degré d'humidité et du contenu en sucre des aliments, de la taille des pièces, de la quantité d'aliments à sécher et du taux d'humidité de l'air.
- Faites sécher la plupart des fruits et légumes à 150°F (66°C).
- Vérifiez les aliments une fois que le temps de séchage minimum s'est écoulé.

- Il vaut mieux utiliser les grilles de séchage (non inclus) pour que l'air puisse circuler autour des aliments. Ne placez pas les aliments directement sur une tôle à biscuits ou une plaque. Les aliments doivent être assez hauts dans le four pour sécher uniformément.
- Vous pouvez utiliser simultanément plusieurs grilles de séchage.
- Pour sécher plusieurs grilles d'aliments en même temps, vous pouvez placer les grilles aux niveaux 2 et 4, ou 1, 3 et 5. Pour une seule grille, utilisez seulement le niveau 3.
- Pour des questions de salubrité alimentaire, il n'est pas recommandé de faire sécher de la viande.
- Consultez un livre de conservation d'aliments, un bureau régional de salubrité alimentaire ou des ouvrages disponibles en bibliothèque pour obtenir de plus amples renseignements.

Recommandations :

Aliment	Préparation	Temps (H)	Vérification de la tendreté
Pommes, ¼" tranches	Trempez les morceaux dans ¼ de tasse de jus de citron et 2 tasses d'eau.	8 – 15	Légèrement flexibles
Bananes, ¼" tranches	Trempez les morceaux dans ¼ de tasse de jus de citron et 2 tasses d'eau.	8 – 15	Légèrement flexibles
Cerises	Nettoyez et séchez avec un linge. Dénoyotez les cerises fraîches.	7 – 18	Parcheminées et molles
Pelures d'orange	Coupez de fines pelures de la peau des oranges.	1 – 4	Sèches et cassantes
Tranches d'orange	Tranches d'un quart de pouce (1/4 po).	9 – 16	Peau sèche et cassante, fruit légèrement humide.
Tranches d'ananas en conserve	Séchez avec un linge.	8 – 13	Tranches molles et flexibles.
Tranches d'ananas frais	Séchez avec un linge.	7 – 12	Tranches molles et flexibles.

Fraises	Nettoyez et séchez avec un linge. Coupez des tranches d'un demi-pouce d'épaisseur (1/2 po). Placez-les la peau contre la grille.	9 – 17	Sèches et cassantes
Poivrons	Nettoyez et séchez avec un linge. Enlevez la peau. Coupez grossièrement des morceaux d'environ un pouce.	13 – 17	Parcheminés, sans humidité à l'intérieur.
Champignons	Nettoyez et séchez avec un linge. Coupez de fines tranches de 1/8 de pouce.	5 – 12	Durs et parcheminés, secs.
Tomates	Nettoyez et séchez avec un linge. Coupez de fines tranches de 1/8 de pouce en prenant soin de bien les évider.	5 – 12	Sèches. Couleur de brique rouge.

Proof (apprêt)

À propos du apprêt

La fonction d'apprêt permet de maintenir l'environnement chaud et sans courants d'air nécessaire pour le levage de produits panifiés. La température d'apprêt est ajustée à 100°F (38°C).

Il vaut mieux utiliser la fonction Apprêt lorsque le four est froid.

Comment ajuster le four à la fonction d'apprêt

1. Laissez à la pâte le temps de dégeler si elle est gelée.
2. Mettez la pâte dans un plat dans le four et couvrez partiellement.
3. Utilisez n'importe quelle position de grille qui correspond aux dimensions du bol ou du moule. Fermez la porte.
4. Placez le sélecteur de mode à **PROOF**.
5. Tournez le bouton de température du four à la position 150°F.

Grosseur	Temps
Miches, 1 lb (0.45 kg)	60 – 75 minutes
Petits pains, 0.1 lb (0.05 kg)	30 – 45 minutes

La température idéale de levage sera maintenue jusqu'à ce que le sélecteur de mode soit mis hors circuit. La fermentation de la pâte est terminée lorsqu'elle a doublé de taille.

N'ouvrez pas la porte inutilement pour éviter que la température du four ne diminue, ce qui allongera le temps requis pour le levage. Utilisez plutôt la lumière du four pour voir où en est le levage de la pâte. Le temps de levage peut être réduit lorsque le four principal est utilisé en même temps. Vérifiez l'état du produit panifié pour éviter un levage excessif.

Pour obtenir des résultats optimaux, nous vous conseillons, si vous utilisez le four principal durant de longues périodes, de procéder au levage avant d'utiliser le four principal.

True convection (convection véritable)

À propos du convection véritable

Le mode True Convection utilise la chaleur diffusée par un troisième élément situé derrière la paroi arrière du four. La chaleur circule à l'intérieur de la cavité du four grâce au ventilateur à convection.

Niveau mixtes	Convection véritable mode
4 et 5	Biscuits
2, 3, et 4	Biscuits
1, 3, et 5	Pâtisseries et autres produits de boulangerie

Conseils :

- Réduire la température du four indiquée dans la recette de 25° F (3,9 °C).
- Placer les aliments dans des plats peu profonds, non couverts, telles des plaques à biscuit sans rebords.
- Si plus d'un plat cuit sur une grille, laisser environ 1 – 1,5 po (2 cm – 2,5 cm) d'espace entre les plats.

Roast (rôtissage)

À propos du rôti

La température de la fonction rôti est plus élevée que la cuisson au four traditionnelle. Cette température sert pour rôti de façon traditionnelle, lorsque de la graisse de cuisson est désirée, ou pour rôti avec un plat couvert.

Conseils avec le mode rôti

- Le mode rôti est excellent pour les viandes ou les volailles plus tendres, lorsque la viande est braisée et qu'un plat fermé est utilisé.
- Ajoutez du liquide, comme de l'eau, du jus, du vin, du bouillon ou du fond de sauce pour des plats plus savoureux et plus juteux.
- Vous pouvez utiliser un sac brunisseur avec ce mode.
- Lorsque vous faites rôti un poulet entier ou une dinde entière, repliez les ailes vers l'arrière et attachez les cuisses avec une ficelle à cuisson.

Recommandations pour le rôti

Viande et volaille	Température	Position
Bœuf		
Braisé, 3-4 livres	350°F (180°C)	1
Pointe de poitrine	350°F (180°C)	2
Bloc d'épaule	350°F (180°C)	1
Pain de viande	350°F (180°C)	3
Volaille		
Poulet, entier	375°F (190°C)	2
Poulet, morceaux	375°F (190°C)	2
Dinde, entière	325°F (165°C)	2
Porc		
Épaule	325°F (165°C)	1
Demi-jambon fumé	325°F (165°C)	1

Convection roast (rôtissage par convection)

À propos du rôti par convection

Le mode Rôtissage Convection utilise la chaleur diffusée par les éléments supérieur et inférieur ainsi que la chaleur qui circule dans la cavité grâce au ventilateur à convection.

Le mode Rôtissage Convection est bien adapté à la préparation des coupes de viande tendres et de la volaille. Les avantages du mode Rôtissage Convection comprennent :

- Une cuisson jusqu'à 25% plus rapide que les modes n'utilisant pas la Cuisson par Convection.
- Un brunissage riche, doré.

Conseils :

- Utiliser la température exacte indiquée sur la recette.
- Vérifier la cuisson au début car la durée de rôti peut être écourtée.
- Pour des exemples, consulter le tableau de cuisson de la viande/volaille.
- Utiliser un plat à rôti avec une grille et une lèchefrite ou un plat peu profond, à découvert, doté d'une grille pour le rôti.
- Utiliser un thermomètre à viande pour déterminer la température interne de celle-ci.
- Si la viande est dorée à souhait, mais qu'elle n'a pas fini de cuire, vous pouvez la couvrir de papier d'aluminium pour qu'elle ne dore pas trop.
- Une fois la viande sortie du four, la couvrir avec du papier d'aluminium et laisser reposer de 10 à 15 minutes.

Keep warm (garder-au-chaud)

À propos du garder-au-chaud

- Cette fonction conserve la température nécessaire pour garder les plats cuisinés à la température de service. Commencez toujours avec des aliments chauds. N'utilisez PAS ce mode pour réchauffer des aliments froids autres que des craquelins, des croustilles et des céréales sèches.
- Dans ce mode, il est possible de maintenir au chaud les plats préparés, les assiettes et les tasses.
- Les mets devraient être à la température de service (supérieure à 140 °F [60 °C]) avant d'être placés dans le four.
- Il est possible de maintenir les aliments au chaud dans le plat de cuisson ou de les transférer dans un plat de service résistant la chaleur.
- Il est possible de couvrir le plat de papier d'aluminium. N'utiliser que de la vaisselle résistante à la chaleur.
- N'ouvrez PAS la porte du four inutilement. Vous réduirez ainsi la température du four.
- Pour maintenir les aliments cuits au chaud, laissez le temps au four de préchauffer avant d'enfourner les plats.

Réglage de la fonction chaud

1. Pour préchauffer le four, tournez le bouton du mode de cuisson à **CHAUD (KEEP WARM)**
2. Tournez le bouton de température du four à la position 150°F.
3. Placez le plat réchauffé dans le four et fermez la porte.

Températures de cuisson internes minimums

Les températures de cuisson internes recommandées par le **U.S. Department of Agriculture Food Safety and Inspection Service**, pour la consommation sécuritaire, sont les suivantes :

Plats avec œufs, plats en cocotte	160°F (72°C)
Restes de table	165°F (74°C)
Porc, agneau, veau, bœuf hachée	160°F (72°C)
Bœuf, veau, rôtis d'agneau, steaks, côtelettes	
Mi-saignant	145°F (63°C)
À point	160°F (71°C)
Bien cuit	170°F (77°C)
Rôtis de porc, steaks, côtelettes	
À point	160°F (72°C)
Bien cuit	170°F (77°C)
Jambon	
Cuire avant consommation	160°F (72°C)
Tout à fait cuit, réchauffé	140°F (60°C)
Volaille	
Dinde, poulet hachés	165°F (74°C)
Dinde, poulet entiers	180°F (82°C)
Poitrines, rôtis	170°F (77°C)
Cuisses et ailes	180°F (82°C)
Farces (cuite à part ou simultanément)	165°F (74°C)

Configuration de Home Connect™

L'appareil électroménager est entièrement automatique et prend en charge le Wi-Fi. Il peut être télécommandé au moyen d'un appareil mobile (par exemple, une tablette, un téléphone intelligent). L'appli Home Connect™ offre des fonctions supplémentaires qui complètent parfaitement l'appareil électroménager en réseau.

Home Connect ne fonctionne pas sur des réseaux Wi-Fi qui exigent l'enregistrement d'un navigateur notamment en saisissant un nom d'utilisateur et un mot de passe par un navigateur Web.

Vous devriez disposer d'un réseau sans fil stable ayant une bonne réception et pouvant accéder à Internet.

Si l'appareil électroménager n'est pas connecté à un réseau local sans fil (WLAN, réseau domestique), il fonctionne de la même façon qu'une hotte typique sans connexion réseautique et peut-être commandé comme d'habitude par le panneau tactile.

REMARQUE : Veuillez vous assurer que vous respectez la notice de sécurité décrite au début du présent manuel d'instructions et que cette dernière sera aussi respectée lors de la télécommande de l'appareil électroménager par l'appli lorsque vous n'êtes pas la maison. Veuillez également respecter les directives de l'appli Home Connect.

REMARQUE : Le fonctionnement manuel de l'appareil électroménager a toujours la priorité. À ce moment, il est impossible de le faire fonctionner au moyen de l'appli Home Connect.

Configuration

L'appli Home Connect doit être déjà installée et vous avez déjà un compte Home Connect. Vous pouvez créer un compte dans l'appli.

Respectez les étapes précisées par l'appli pour mettre en œuvre les réglages.

Qu'avez-vous besoin pour connecter la hotte à Home Connect™?

1. L'appareil électroménager doit être correctement installé.
2. Un téléphone intelligent ou une tablette doté de la dernière version du système d'exploitation iOS ou Android.
3. L'appareil électroménager doit être à portée du signal Wi-Fi du réseau domestique.

4. Vous devez disposer du nom du réseau Wi-Fi (SSID) et de son mot de passe (clé).

PROTECTION DES DONNÉES ET SÉCURITÉ DE L'INFORMATION :

Le transfert de données est toujours crypté. Home Connect satisfait aux normes de sécurité les plus strictes, qui font continuellement l'objet de révisions. Consultez www.home-connect.com pour de plus amples renseignements.

Renseignements :

Nous travaillons sans relâche pour améliorer l'appli Home Connect. Les étapes de configuration pourraient varier légèrement. Veuillez à respecter les directives de la dernière version de l'appli Home Connect pour vous guider lors des étapes de configuration.

Étape 1 : Téléchargement de l'appli Home Connect et création d'un compte utilisateur

1. Depuis le téléphone intelligent ou la tablette, ouvrez l'App Store (appareils Apple^{MC}) ou Google Play^{MC} Store (appareils Android^{MC}).
2. Recherchez l'appli HOME CONNECT dans le champ de recherche de la boutique et installez-le.
3. Ouvrez l'appli et inscrivez-vous pour créer un compte Home Connect.
4. Notez vos données de connexion Home Connect (compte utilisateur et mot de passe); vous en aurez besoin plus tard.

Conservez vos données de connexion Home Connect ici :

Nom du réseau (SSID) :

Mot de passe (clé) :

L'appli vous informera des prochaines étapes pour ajouter un appareil électroménager à Home Connect.

Étape 2 : Connexion de l'appareil au réseau domestique

1. L'appareil électroménager doit être correctement installé.
2. Ouvrez l'appli Home Connect pour ajouter un appareil.
3. Veillez à respecter les directives de l'appli et consultez le guide Home Connect uniquement sur invitation de l'appli.

Étape 2.1 : Connexion de l'appareil électroménager au réseau domestique avec WPS

Passez à l'étape 2.1 uniquement si l'appli le demande. Les étapes qui suivent décrivent des actions à effectuer directement sur l'appareil électroménager.

1. Sélectionnez **RÉGLAGES (SETTINGS)** et sélectionner **HOME CONNECT**.
2. Effleurez **ENTER**.
 - Une demande pour appuyer sur le bouton WPS du routeur dans les deux (2) minutes s'affiche à l'écran.
3. Appuyez sur le bouton WPS du routeur.
 - Veuillez consulter le manuel du routeur pour localiser le bouton WPS.
 - L'appli est avisée dès la connexion réussie de l'appareil électroménager au réseau Wi-Fi.
4. Effleurez **ENTER**.
 - Dès que l'appareil électroménager est correctement connecté à votre réseau domestique, un message le confirmant apparaît sur l'affichage de l'appareil.
5. Appuyez sur **LANCER L'APPAIRAGE (START PAIRING)** de l'application Home Connect.
6. Respectez les directives de l'appli.

INFORMATION :

Si la connexion n'a pas pu être établie dans les cinq minutes, vérifiez l'appareil se trouve à portée du réseau Wi-Fi.

Étape 2.2 : Connexion de l'appareil au réseau domestique, étape par étape

Passez à l'étape 2.2 uniquement si l'appli le demande. Les étapes qui suivent décrivent des actions à effectuer directement sur l'appareil électroménager.

1. Sélectionnez le menu **RÉGLAGES (SETTINGS)** et sélectionner **HOME CONNECT**.
2. Effleurez **ENTER**.
 - Une demande pour appuyer sur le bouton WPS du routeur dans les deux (2) minutes s'affiche à l'écran.
3. Effleurez **ENTER**.
4. Appuyez sur **CONNEXION MANUELLE (CONNECT MANUALLY)**.
 - Préparez votre appareil mobile à la connexion réseau.
5. Effleurez **CONTINUER**.
 - Pendant deux minutes, l'appareil ouvrira un réseau Wi-Fi temporaire dénommé « HomeConnect » avec le mot de passe.
 - L'appli fournit un nom de réseau Wi-Fi (SSID) et un mot de passe par l'entremise de ce réseau Wi-Fi temporaire, ce qui permet à la hotte de se connecter au réseau Wi-Fi domestique.
6. Respectez les directives de l'appli.

Étape 3 : Connexion de l'appareil à l'appli Home Connect

Passez à l'étape 3 uniquement si l'appli le demande. Les étapes qui suivent décrivent des actions à effectuer directement sur l'appareil électroménager.

1. Lancez l'appli sur l'appareil mobile et respectez les instructions de connexion affichées.
2. Le processus de connexion est terminé à l'affichage de **APPAIRAGE RÉUSSI (PAIRING SUCCESSFUL)** à l'écran.
3. Respectez les directives de l'appli.

La hotte est bien connectée. Vous pouvez désormais tirer profit de tous les avantages de l'appli Home Connect!

INFORMATION :

Si la connexion n'a pas pu être établie dans les cinq minutes, vérifiez l'appareil se trouve à portée du réseau Wi-Fi.

Mise à jour du logiciel

Il est possible de mettre à jour le logiciel avec la fonctionnalité à cet effet (par ex., mises à jour d'optimisation, de dépannage ou de sécurité). Pour ce faire, vous devez être inscrit comme utilisateur Home Connect, disposer de l'appli sur votre appareil mobile et avoir une connexion au serveur Home Connect.

Dès l'offre d'une mise à jour, l'appli Home Connect vous en avise. Vous pourrez aussi l'utiliser pour télécharger cette mise à jour.

Une fois le téléchargement réussi, installez la mise à jour par les réglages de base du four ou l'appli Home Connect si vous êtes sur le réseau domestique.

L'appli Home Connect vous avisera à la fin de l'installation.

Remarques :

- Vous pouvez utiliser de l'appareil comme d'habitude au cours du téléchargement des mises à jour.
- Dans les réglages personnels de l'appli, il est également possible d'automatiser les téléchargements.
- Nous vous recommandons d'installer les mises à jour de sécurité dès que possible.

Entretien et nettoyage

▲ AVERTISSEMENT

- Ne laissez pas d'enfants seuls ou sans surveillance dans un endroit où des électroménagers sont en cours d'utilisation.
- Durant le cycle d'autonettoyage, les surfaces extérieures de l'appareil peuvent devenir plus chaudes que d'habitude. Certaines pièces de l'appareil peuvent être dangereuses pour les enfants et pour les personnes qui ne possèdent pas les connaissances d'un adulte par rapport aux électroménagers ou qui ne réagissent pas comme un adulte devrait le faire dans une situation potentiellement dangereuse. Ces personnes devraient s'éloigner de l'appareil durant l'autonettoyage ou lorsqu'il est en cours d'utilisation.
- L'élimination de saletés durant le processus d'autonettoyage peut favoriser l'émission de petites quantités de produits chimiques ou d'autres substances auxquelles une certaine exposition pourrait être dangereuse. Pour minimiser toute exposition à ces substances, assurez-vous de bien aérer la pièce en ouvrant une fenêtre ou en utilisant un ventilateur ou une hotte.
- La première fois que vous utilisez le cycle d'autonettoyage de votre nouvelle cuisinière, sortez les petits animaux et les oiseaux de la cuisine et des endroits à proximité du four. Ouvrez une fenêtre pour une meilleure aération.

Marques de produits

- Les marques de produits mentionnées ne servent qu'à indiquer un type de produit nettoyant et non à en faire la promotion.
- L'omission d'une marque ne signifie pas qu'elle convient ou ne convient pas.
- De nombreux produits sont distribués régionalement et il est possible de les trouver dans les marchés locaux.
- Il est essentiel que les produits soient utilisés conformément à leur mode d'emploi.

Concernant l'autonettoyage

- Le mode d'autonettoyage de votre nouvelle cuisinière comprend une fonction d'autonettoyage pyrolytique. Lorsque vous le mettez en mode clean, le four atteint une température élevée, environ 850°F (454°C), qui consomment toutes les saletés du four.

- Lorsque le four est réglé à clean, vous pouvez utiliser les brûleurs standards et la plaque chauffante électrique de la surface de cuisson. Les brûleurs munis de la fonction ExtraLow^{mc} ne peuvent pas être utilisés.
- Il est commun de voir de la fumée ou des flammes durant le cycle de nettoyage, selon le contenu et la quantité de saletés qui se trouvent dans le four. Si une flamme persiste, éteignez le four et laissez-le refroidir avant d'ouvrir la porte pour enlever les saletés excessives.
- À la fin du cycle de nettoyage, de la cendre grise ou des résidus peuvent se trouver à l'intérieur du four. Il s'agit de dépôts minéraux qui n'ont pas brûlé ou fondu. La quantité de cendre dépend de la mesure dans laquelle le four était sale avant d'être nettoyé. Lorsque le four est froid, vous pouvez facilement enlever ces cendres ou résidus avec un essuie-tout, une éponge ou un chiffon humide.

Avant de procéder à l'autonettoyage du four

Ne pas utiliser de produits nettoyants pour four : Ne pas utiliser un produit nettoyant pour four commercial ou un revêtement protecteur de cavité de four, peu importe le type, à l'intérieur du four ou sur n'importe quelle autre partie autour du four.

Essayez les accumulations de graisse et toutes les saletés faciles à enlever pour réduire les possibilités de production de flammes ou de fumée. Enlevez les saletés se trouvant à l'extérieur du joint d'étanchéité de la porte. Cet appareil est conçu pour nettoyer l'intérieur du four et la partie de la porte située à l'intérieur du four. Les parties extérieures de la porte et le cadre entourant la partie avant du four ne se trouvent pas dans la zone de nettoyage. Nettoyez ces surfaces.

AVANT DE RÉGLER LE FOUR POUR L'AUTONETTOYAGE

- Enlevez tous les ustensiles.
- Enlevez les grilles.
- Nettoyez le bâti avant du four et les côtés de la porte.
- Essayez les éclaboussures et les accumulations de graisse.
- Assurez-vous que les ampoules et les couvercles de verre des lampes sont en place.
- Allumez la hotte au-dessus de la cuisinière et laissez-la jusqu'à ce que le cycle d'autonettoyage du four soit terminé.

Self-clean (autonettoyage)

Autonettoyage (modèles seulement)

Réglage du mode autonettoyant sur les modèles de 30 po (76 cm) de la série Harmony

1. Retirez tous les ustensiles de cuisine, les grilles et les guides de grille. Assurez-vous que la porte du four est fermée.
2. Sélectionnez **NETTOYAGE (SELF CLEAN)** avec l'anneau de sélection de mode.
3. Placez le bouton de réglage de température à **NETTOYAGE (CLEAN)**.
 - Durée du programme 2 heures.

Réglage du mode autonettoyant sur les modèles avec écran

1. Retirez tous les ustensiles de cuisine, les grilles et les guides de grille. Assurez-vous que la porte du four est fermée.
2. Sélectionnez **NETTOYAGE (SELF CLEAN)** avec l'anneau de sélection de mode.
3. Placez le bouton de réglage de température à **NETTOYAGE (CLEAN)**.
4. Tapotez droite **>** de navigation pour sélectionner le réglage souhaité de nettoyage et Tapotez **ENTRÉE (ENTER)**.

Niveau de puissance	Durée (exclut la période de refroidissement)
Faible	1 ½ heures
Élevée	3 heures

5. Tapotez **ENTRÉE (ENTER)** pour lancer l'autonet.



NOTE : Le processus de fermeture de porte s'effectue en environ 20 secondes; à ce moment, la porte se verrouille. Assurez-vous que la porte est verrouillée.

À la fin de l'autonettoyage

Le loquet de la porte s'ouvrira automatiquement lorsque la température sera sous les 500 °F (260 °C). Le ventilateur de refroidissement s'éteint lorsque la température du four est inférieure à 200°F (93°C).

1. Sélectionnez **ARRÊT (OFF)** avec le bouton sélecteur de mode.
2. Tournez le bouton de température du four à la position **ARRÊT (OFF)**.

▲ AVERTISSEMENT

L'intérieur du four sera toujours à une température de cuisson lorsque le verrouillage automatique cessera et qu'il sera possible d'ouvrir la porte du four.

Réglage de l'HEURE DE FIN de l'autonettoyage

1. Retirez tous les ustensiles de cuisine, les grilles et les guides de grille. Assurez-vous que la porte du four est fermée.
2. Sélectionnez **NETTOYAGE (SELF CLEAN)** avec le bouton Sélecteur de mode.
3. Tournez le bouton du sélecteur de température à **NETTOYAGE (CLEAN)**.
4. Tapotez les touches de droite (**et**) de navigation pour sélectionner le réglage souhaité de nettoyage.
5. Effleurez la touche **MINUTERIES (TIMERS)**.
6. Sélectionnez l'**HEURE DE FIN (END TIMER)** avec les touches de gauche (**et**) de navigation.
7. Réglez l'**HEURE DE FIN (END TIMER)** avec les touches de droite (**et**) de navigation.
8. Tapotez **ENTRÉE (ENTER)** pour confirmer le choix.
 - L'écran invitera l'utilisateur à déloger les salissures alimentaires importantes ainsi qu'à retirer les grilles et les accessoires.
9. Tapotez **ENTRÉE (ENTER)** pour lancer l'autonettoyage.
 - Après la confirmation de la période d'attente, l'avis s'affiche à l'écran.
 - Après la période d'attente, le four commence à chauffer.
 - L'écran vous informe de l'activation du verrouillage de la porte.
 - NE PAS égratigner ni abîmer les ouvertures de port du capuchon du brûleur.

NOTES :

- Les fours sont programmés pour empêcher le démarrage d'un second cycle d'autonettoyage pendant 24 heures. Dès que l'autonettoyage est terminé, toutes les fonctions sont disponibles.
- Si l'utilisateur tente de faire fonctionner l'autonettoyage d'un four pour lequel cette fonction est bloquée, les lumières du four clignotent à intervalles de deux secondes pour indiquer que la fonction n'est pas disponible. Il faut alors tourner les boutons à OFF pour que les lumières cessent de clignoter.

Conseils de nettoyage

⚠ ATTENTION

Évitez de nettoyer les pièces de la cuisinière lorsqu'elles sont encore chaudes.

- Le fini en porcelaine émaillée résiste à l'acide, mais n'est pas antiacide. Les aliments acides comme le jus d'agrumes, de tomates, de rhubarbe, ou le vinaigre, l'alcool et le lait doivent être essuyés. Vous ne devez pas les laisser cuire sur la porcelaine pendant l'utilisation de la cuisinière.
- Les éléments chauffants du four ne requièrent pas de nettoyage. Les éléments se nettoient d'eux-mêmes lors de l'utilisation de la cuisinière. Les deux éléments sont branchés en permanence.

Pour nettoyer la cuisinière

- Utilisez la méthode de nettoyage la plus douce qui fera le travail de façon efficace. Certains produits d'entretien similaires sont plus rudes que d'autres. Faites d'abord un essai sur une petite surface.
- Passez toujours les produits lustrant pour le métal dans le sens des lignes de polissage pour obtenir une efficacité maximum et éviter de rayer la surface.
- N'utilisez que des chiffons, éponges, serviettes en papier, brosses douces et propres; tampons à récurer savonneux de plastique, non métalliques, pour nettoyer et gratter, comme recommandé dans le tableau.
- Toutes les pièces de cet appareil peuvent être nettoyées avec de l'eau chaude savonneuse. S'il est nécessaire de rincer, rincez en profondeur.
- Essuyez toujours immédiatement pour éviter les traces d'eau.
- **N'UTILISEZ PAS DE PRODUITS NETTOYANTS À BASE DE CHLORE.**

Suggestions de nettoyage

Pièce/matériau	Notes concernant le nettoyage
Couvercle en fonte et base des brûleurs en laiton	<ul style="list-style-type: none"> • Brosse à dents à soies dures en nylon pour le nettoyage des orifices. • Une fois le nettoyage terminé, veillez à ce que le couvercle du brûleur soit correctement logé sur sa base. • Ne frottez PAS et n'agrandissez pas les orifices du couvercle de brûleur. • Produits nettoyants suggérés; rincez et séchez à fond : <ul style="list-style-type: none"> -- Eau chaude savonneuse -- Bon-ami® -- Barkeepers Friend® -- Wright's® All Purpose Brass Polish -- Kleen King®
Boutons de commande et enjoliveurs / chrome, métal	<ul style="list-style-type: none"> • NE faites PAS tremper les boutons. • NE forcez PAS les boutons sur une mauvaise tige de valve. • Produits nettoyants suggérés : <ul style="list-style-type: none"> -- Utilisez un coton-tige trempé dans l'eau
Plaque à fentes de la lèchefrite / fond porcelaine émaillée	<ul style="list-style-type: none"> • Pour déloger les aliments cuits, imprégnez-les de détergent liquide et recouvrez-les avec un essuie-tout mouillé. Laissez reposer. • Produits nettoyants suggérés; rincez et séchez à fond : <ul style="list-style-type: none"> -- Eau chaude savonneuse -- Vinaigre et eau -- Mettez-le au lave-vaisselle -- Bar Keeper's Friend® -- Soft Scrub® -- Bon-ami® -- Tampons de fibre ou de laine d'acier imbibés de savon
Briquettes de céramique, Briquettes de céramique, et Plateau à graisse du gril	<ul style="list-style-type: none"> • Briquettes de céramique de nettoyage <ol style="list-style-type: none"> 1) Placez doucement les briquettes de céramique saturées de gras dans un grand contenant de six litres ou plus. 2) Remplissez le contenant d'eau propre de façon à ce que les briquettes soient couvertes par au moins un demi-pouce d'eau. 3) Portez l'eau à ébullition et laissez-la bouillir pendant 10 minutes. 4) Éteignez le feu et laissez l'eau refroidir jusqu'à une température sécuritaire. 5) Débarrassez-vous de l'eau et tapotez les briquettes avec de vieilles serviettes ou des essuie-tout pour les sécher. 6) Laissez sécher les briquettes à l'air ambiant pendant au moins deux heures. Il se peut qu'il y ait des taches de graisse permanentes sur les briquettes après le nettoyage. 7) Remettez les briquettes propres et sèches dans le gril avant de le réutiliser. • Vous pouvez vous procurer de nouvelles briquettes de céramique à la boutique électronique de Thermador (numéro de commande : PABRICKBKN). Consultez le verso pour obtenir des renseignements sur le soutien technique. ▲ MISE EN GARDE : Vous devez remplacer les briquettes de céramique lorsqu'elles sont noires, ce qui signifie qu'elles sont saturées de gras. Elles peuvent alors générer beaucoup de fumée ou prendre feu pendant le fonctionnement de l'appareil. • Produits nettoyants recommandés pour le panier et le plateau à graisse; rincez et séchez à fond : <ul style="list-style-type: none"> -- Eau chaude savonneuse -- Mettez-le au lave-vaisselle

Pièce/matériau	Notes concernant le nettoyage
Portes	<ul style="list-style-type: none"> • Veillez à préserver les orifices d'aération des portes des nettoyeurs et de l'eau. Si l'un ou l'autre était déversé dans un orifice d'aération, l'eau pourrait couler à l'intérieur et marquer la vitre.
Joint / Joint d'étanchéité de la porte	<ul style="list-style-type: none"> • Vaporisez le produit nettoyant et séchez-le avec un chiffon. Ne frottez PAS. N'enlevez pas, ne déplacez pas et n'endommagez pas la maille. • Produits nettoyants suggérés; rincez et séchez à fond : <ul style="list-style-type: none"> -- Eau chaude savonneuse -- Fantastik®
Fini extérieur/protecteur arrière Acier inoxydable	<ul style="list-style-type: none"> • L'acier inoxydable résiste à la plupart des taches d'aliments et piqûres, pourvu que la surface soit gardée propre et protégée. Ne jamais laisser des taches alimentaires ou du sel sur de l'acier inoxydable, peu importe la durée de temps. -- Essayez tout résidu de fumée sur la façade du cadre avec du Fantastik® ou du Bar Keeper's Friend®. Si les taches persistent, utilisez un produit nettoyant liquide doux. La tache de fumée est directement proportionnelle à la quantité de salissures alimentaires qui restait dans le four au moment de l'autonettoyage. Nettoyez souvent le four. • Frottez légèrement dans le sens du poli. • Le chlore ou les composés de chlore de certains produits nettoyants sont corrosifs pour l'acier inoxydable. Vérifiez les ingrédients sur l'étiquette. • Produits nettoyants suggérés; rincez et séchez à fond : <ul style="list-style-type: none"> -- Eau chaude savonneuse -- Fantastik® -- Siege® Stainless Steel and Aluminum Cleaner -- Kleen King® Stainless Steel Liquid Cleaner -- Poli de nettoyage : Stainless Steel Magic^{mc} pour protéger le fini des taches et piqûres ; améliore l'apparence. -- Thermador Stainless Steel Conditioner (0057669) -- Taches d'eau dure : Vinaigre. • Décoloration due à la chaleur; rincez et séchez à fond : <ul style="list-style-type: none"> -- Barkeepers Friend® -- Wright's® All Purpose Brass Polish

Pièce/matériau	Notes concernant le nettoyage
Grilles / Porcelaine émaillée sur fonte	<ul style="list-style-type: none"> • Les grilles sont lourdes ; soyez prudent lorsque vous les soulevez. Déposez-les sur une surface protégée. • Compte tenu de la texture rugueuse des grilles, des dépôts en aluminium du dessous des poêlons peuvent parfois se détacher et remplir les espaces entre les rayures des grilles. Faites attention lorsque vous cuisinez avec des poêlons et casseroles en laiton et en aluminium, car ces types de plats peuvent parfois laisser des dépôts de métal sur les grilles. • Lors de températures extrêmes et de changements rapides de température, on retrouve couramment des ampoules/craquelures/éclats sur les tiges des grilles. • Les déversements acides et chargés en sucre détériorent l'émail. Éliminez-les sans tarder. • Les produits nettoyants abrasifs, utilisés trop vigoureusement ou trop souvent, peuvent éventuellement rayer l'émail. • Produits nettoyants suggérés; rincez et séchez à fond : <ul style="list-style-type: none"> -- Eau chaude savonneuse -- Fantastik® -- Bon-ami® -- Soft Scrub® • Abrasifs pour les taches tenaces; rincez et séchez à fond : <ul style="list-style-type: none"> -- Tampon de laine d'acier savonneux -- Lestoil® -- Autre produit dégraissant • Dépôts de métal : <ul style="list-style-type: none"> -- Éponge à récurer Scotch Brite -- Laine d'acier
Plaque chauffante / Aluminium avec revêtement anti-adhésif	<ul style="list-style-type: none"> • N'immergez JAMAIS une plaque chauffante chaude dans l'eau froide. La plaque d'aluminium pourrait gondoler ou se fissurer. • Ne nettoyez AUCUNE partie du gril ou de la plaque chauffante dans le four en mode autonettoyage. • Essuyez la surface de la plaque chauffante à l'eau tiède savonneuse, puis rincez à l'eau tiède. Essuyez avec un chiffon doux. • Si des particules alimentaires collent à la plaque, éliminez-les à l'aide d'un nettoyant abrasif doux comme Soft Scrub^{mc}. • Produits nettoyants suggérés; rincez et séchez à fond : <ul style="list-style-type: none"> -- Eau chaude savonneuse -- Mettez-le au lave-vaisselle -- Soft Scrub®
Plateau collecteur de graisse de la plaque chauffante	<ul style="list-style-type: none"> • Retirez le plateau collecteur de graisse et versez la graisse dans un contenant résistant aux graisses pour mise au rebut. Lavez le plateau collecteur dans l'eau tiède savonneuse ou mettez-le au lave-vaisselle. • Videz le plateau collecteur de graisse après chaque utilisation. • Produits nettoyants suggérés; rincez et séchez à fond : <ul style="list-style-type: none"> -- Eau chaude savonneuse -- Mettez-le au lave-vaisselle -- Soft Scrub®

Pièce/matériau	Notes concernant le nettoyage
Grilles du gril / Porcelaine émaillée sur fonte	<ul style="list-style-type: none"> • Nettoyez les grilles après chaque utilisation. • Placez la grille du gril dans l'évier et versez de l'eau bouillante sur la grille. Mettez un linge à vaisselle sur la grille et versez de l'eau bouillante sur le linge. Laissez tremper les résidus. Grattez tous les débris avec un tampon à récurer savonneux. • Abrasifs pour les taches tenaces : Soft Scrub®. • Produits nettoyants suggérés; rincez et séchez à fond : <ul style="list-style-type: none"> -- Eau chaude savonneuse -- Mettez-le au lave-vaisselle -- Soft Scrub® -- Brosse à fils en laiton doux pour les taches tenaces. Les brosses à fils de fer rigides peuvent égratigner le recouvrement de porcelaine des grilles et causer leur oxydation prématurée. • Abrasifs pour les taches tenaces; rincez et séchez à fond : <ul style="list-style-type: none"> -- Tampon de laine d'acier savonneux -- Lestoil® -- Autre produit dégraissant
Allumeurs / Céramique	<ul style="list-style-type: none"> • N'employez PAS d'outils pointus pour frotter les allumeurs. Les allumeurs sont fragiles. Si l'un d'entre eux est endommagé, il se pourrait qu'il ne puisse allumer le brûleur STAR. • Produits nettoyants suggérés : <ul style="list-style-type: none"> -- Utilisez un coton-tige trempé dans l'eau -- Fantastik®
Cavité / Porcelaine émaillée sur acier	<ul style="list-style-type: none"> • Le fini de porcelaine émaillée résiste à l'acide, mais il n'est pas à l'épreuve de l'acide. Les aliments acides, par exemple le jus de citron, la tomate, la rhubarbe, le vinaigre, l'alcool et le lait, doivent être essuyés car il ne doivent pas cuire dans la porcelaine durant la prochaine utilisation de la cuisinière. Après un certain temps, la porcelaine peut se craqueler (présenter des lignes fines comme des cheveux). Cela n'affecte en rien sa performance. • Appliquez du produit nettoyant sur une éponge ou un chiffon humide. Frottez doucement. Rincez en profondeur et séchez. Si des aliments ont brûlé sur le four et qu'ils sont difficiles à nettoyer, vous pouvez les humidifier avec un chiffon imbibé du produit suggéré. Fermez la porte et laissez tremper jusqu'à ce que vous puissiez facilement enlever les résidus d'aliment avec un chiffon savonneux humide ou peu abrasif. • Produits nettoyants suggérés; rincez et séchez à fond : <ul style="list-style-type: none"> -- Eau chaude savonneuse -- Bar Keeper's Friend® -- Vinaigre et eau -- Soft Scrub® -- Bon-ami®

Pièce/matériau	Notes concernant le nettoyage
Grilles du four et glissières des grilles	<ul style="list-style-type: none"> • Certains produits nettoyants commerciaux pour four peuvent noircir et décolorer la surface. Avant de nettoyer la grille, testez le produit sur une petite portion de celle-ci et assurez-vous qu'elle ne se décolore pas. • Si les grilles ne glissent pas facilement en place après le nettoyage, versez un peu d'huile à friture sur un essuie-tout et frottez doucement les glissières latérales. • Si après le nettoyage une grille ne se glisse pas facilement, humectez un papier absorbant avec une petite quantité d'huile de cuisson et frottez légèrement les rails latéraux. • Produits nettoyants suggérés; rincez et séchez à fond : <ul style="list-style-type: none"> -- Eau chaude savonneuse -- Vinaigre et eau -- Mettez-le au lave-vaisselle -- Bar Keeper's Friend® -- Soft Scrub® -- Bon-ami® • Abrasifs pour les taches tenaces; rincez et séchez à fond : <ul style="list-style-type: none"> -- Utilisez des tampons de fibre ou de laine d'acier imbibés de savon
Plateau collecteur de surface / Porcelaine émaillée	<ul style="list-style-type: none"> • Frottez délicatement car ces produits pourraient érafler le fini. Rincez à fond et essuyez avec un chiffon doux. • Pour les aliments carbonisés, utilisez des tampons de fibre ou de laine d'acier imbibés de savon, tels que S.O.S.^{mc} ou Brillo^{mc}. Humidifiez le tampon et frottez délicatement. Soyez prudent car les tampons peuvent érafler le fini. Rincez à fond et essuyez avec un chiffon doux. • Produits nettoyants suggérés; rincez et séchez à fond : <ul style="list-style-type: none"> -- Eau chaude savonneuse -- Soft Scrub® -- Bar Keeper's Friend® -- Bon-ami® • Abrasifs pour les taches tenaces; rincez et séchez à fond : <ul style="list-style-type: none"> -- Utilisez des tampons de fibre ou de laine d'acier imbibés de savon

Entretien à faire soi-même

Changement de l'ampoule du four

⚠ ATTENTION

- Assurez-vous que l'appareil et les lampes sont froids et que l'alimentation de l'appareil est coupée avant de remplacer les ampoules électriques, sans quoi vous pourriez vous blesser ou recevoir une décharge électrique.
- Les couvercles doivent être en place lorsque vous utilisez l'appareil.
- Les couvercles servent à empêcher les ampoules de se briser.
- Les couvercles sont faits de verre. Manipulez-les avec soin pour éviter de les briser. Les éclats de verre peuvent causer des blessures.
- La douille est sous tension lorsque la porte est ouverte.

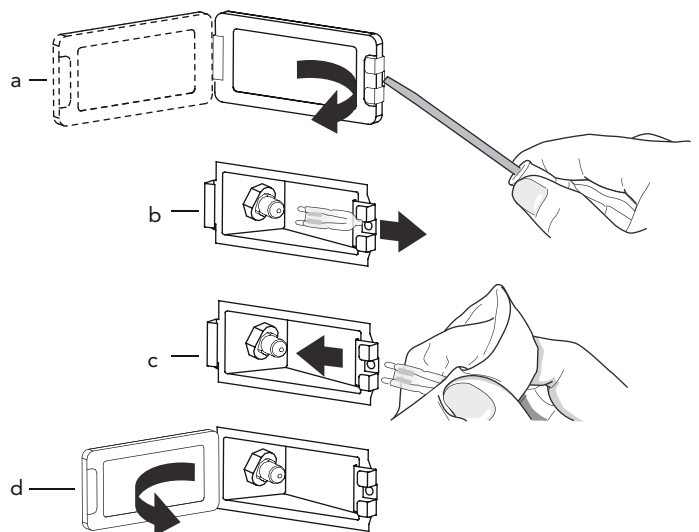
Remplacez l'ampoule exclusivement par une ampoule recommandée pour cuisinière. N'UTILISEZ PAS une ampoule standard à usage domestique dans le four. Appelez le centre de service à la clientèle de Thermador au 1-800-735-4328 ou le détaillant Thermador le plus près de chez vous pour savoir quelles ampoules utiliser avec votre cuisinière. Vous devez connaître le numéro de série de votre cuisinière.

Remplacement de l'ampoule

Utilisez seulement des ampoules halogènes à deux broches de 10W, 12V G4. Utilisez un linge propre et sec pour manipuler les ampoules halogènes. Cela augmentera leur durée de vie.

1. Coupez l'alimentation du disjoncteur.
2. Enlevez les grilles du four.
3. Insérez la pointe d'un tournevis plat entre l'attache de fixation et le boîtier de la lampe (figure, a).

4. Soutenez le couvercle de la lentille de verre avec deux doigts le long du rebord inférieur pour empêcher qu'il tombe sur le plancher du four. Tournez doucement le tournevis plat pour détacher le couvercle de la lentille de verre.
5. Enlevez le couvercle de la lentille de verre.
6. Retirez l'ampoule en la saisissant et la faisant glisser vers l'arrière jusqu'à ce que les deux broches sortent du support en céramique (figure, b).
7. Ne touchez pas au verre de la nouvelle ampoule de remplacement avec vos doigts, sans quoi elle ne fonctionnera pas lorsque vous l'allumerez. Prenez l'ampoule de remplacement avec un linge sec et propre. Localisez les deux fentes du support de céramique en y poussant doucement les deux broches de l'ampoule (figure, c).
8. Tirez vers le bas pour bien installer l'ampoule.
9. Faites glisser la lentille de protection dans l'attache du support et poussez l'autre extrémité jusqu'à ce que l'attache de fixation s'enclenche dans le boîtier (figure, d).



10. Allumez l'alimentation du disjoncteur.

Avant d'appeler le service technique

Dépannage

Avant d'appeler le service technique, vérifiez les points suivants afin d'éviter des frais inutiles.

Symptôme	Cause probable	Solution
Production intermittente d'étincelles	<ul style="list-style-type: none">L'allumeur en céramique est mouillé ou sale.Les orifices du brûleur sont bouchés.	<ul style="list-style-type: none">Séchez ou nettoyez soigneusement l'allumeur.Nettoyez les orifices de répartition de la flamme à l'aide d'un fil métallique, d'une aiguille ou d'un trombone déplié.
Plus de quatre déclics de l'allumeur avant que la flamme ne s'allume	<ul style="list-style-type: none">Le chapeau du brûleur est mal posé sur sa base.	<ul style="list-style-type: none">Alignez bien le chapeau du brûleur sur la base du brûleur.
Production constante d'étincelles	<ul style="list-style-type: none">La mise à la terre de la cuisinière a été mal faite.L'alimentation électrique est mal polarisée.	<ul style="list-style-type: none">Consultez les Instructions d'installation. Appelez un électricien qualifié pour qu'il effectue une mise à la terre adéquate pour la cuisinière.
Les dispositifs d'allumage produisent des étincelles, mais pas de flamme.	<ul style="list-style-type: none">La vanne de l'approvisionnement en gaz est à la position « OFF ».	<ul style="list-style-type: none">Ouvrez la vanne d'approvisionnement en gaz de l'appareil.
La cuisinière ne fonctionne pas (les lumières, le four et les brûleurs ne s'allument pas)	<ul style="list-style-type: none">Pas d'alimentation électrique.Le four est en mode Sabbath.	<ul style="list-style-type: none">Assurez-vous que le disjoncteur est à la bonne position.Assurez-vous que la tension de la ligne d'alimentation électrique est adéquate.Assurez-vous que le four n'est pas en mode Sabbath. Consultez la section « Utilisation de la cuisinière » dans le Guide d'utilisation et d'entretien.
L'ampoule du four ne s'allume pas.	<ul style="list-style-type: none">L'ampoule est grillée.	<ul style="list-style-type: none">Remplacez l'ampoule du four selon les instructions fournies dans le Guide d'utilisation et d'entretien.
La porte ne s'ouvre pas.	<ul style="list-style-type: none">Le four est encore en mode Autonettoyage.	<ul style="list-style-type: none">Si le four est chaud, le verrou de la porte s'ouvrira lorsque le four atteindra une température sécuritaire.
Les aliments ne cuisent pas suffisamment dans le four.	<ul style="list-style-type: none">La grille ne se trouve pas à la bonne position.Le plat utilisé n'est pas adéquat.La porte du four n'est peut-être pas bien scellée.L'appareil n'est pas de niveau.	<ul style="list-style-type: none">Consultez la section « Utilisation de la cuisinière » dans le Guide d'utilisation et d'entretien.Consultez la section « Récipients recommandés » dans le Guide d'utilisation et d'entretien.Nettoyez le joint d'étanchéité de la porte du four. Remplacez-le s'il est usé.Consultez le Manuel d'installation pour obtenir des instructions sur le nivelage de l'appareil.

Symptôme	Cause probable	Solution
L'appareil dégage de l'air chaud.	<ul style="list-style-type: none"> Il est normal que, durant le processus de refroidissement, de l'air chaud soit évacué dans la pièce lorsque le four est allumé. Selon le mode utilisé, la vitesse du ventilateur augmente ou diminue. 	<ul style="list-style-type: none"> Cela est normal.

Information pour le service technique

▲ AVERTISSEMENT

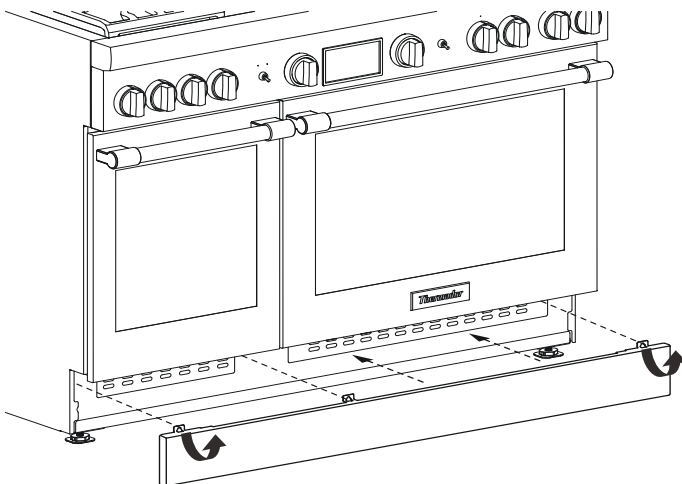
Avant d'ôter la plaque d'habillage, débranchez l'alimentation électrique de la cuisinière. Réinstallez la plaque de base avant de rébrancher l'alimentation électrique de la cuisinière et de l'utiliser.

Schémas de branchement

Les schémas de câblage électrique et les dessins placés dans la zone de la base ne doivent pas être enlevés sauf par un technicien de service. Remettez-les en place après l'entretien.

Plaque signalétique

La plaque signalétique indique le modèle et le numéro de série de votre cuisinière. Accédez à la plaque amovible en retirant d'abord le panneau décoratif du piédestal, comme illustré ci-dessous.



Afin de conserver ces données à portée de main, recopiez ici les renseignements figurant sur la fiche signalétique. Conservez votre facture pour que votre garantie soit valide.

Numéro du modèle _____

Numéro de série _____

Date d'achat _____

Enregistrement de produit

Enregistrez votre appareil auprès de BSH afin de vous assurer un service rapide et l'accès aux renseignements qui concernent votre appareil.

Vous pouvez enregistrer votre appareil de l'une des façons suivantes :

- Inscrivez-vous avec votre téléphone (aux É.-U. seulement).
- Prenez une photo de l'icône de la caméra sur la carte d'enregistrement, y compris les points (⊙).



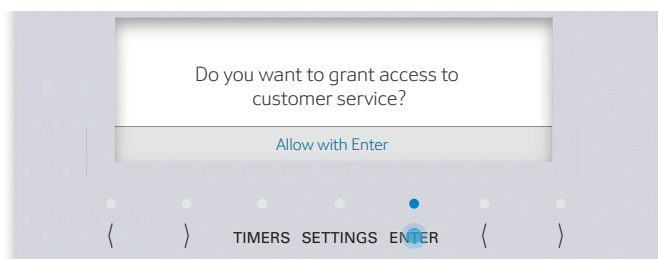
-  Envoyez le message texte photo au 21432 (des frais de messagerie texte et de données peuvent s'appliquer.)
 - Envoyez par la poste votre carte d'enregistrement de produit Thermador complétée.
 - Enregistrez votre produit en ligne à l'adresse www.thermador.ca.
 - Communiquez avec le service à la clientèle de Thermador au numéro 1-800-735-4328.

Connexion pour réparation à distance

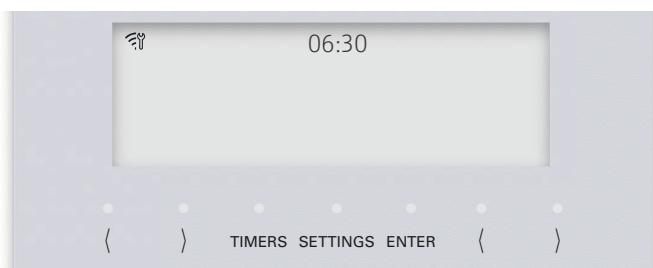
En cas d'erreur, le Service après-vente peut accéder à l'appareil électroménager par la connexion Home Connect™.

Octroi de l'accès à l'appareil électroménager, au Service après-vente :

1. Communiquez avec le service d'assistance technique (consultez la dernière page). Respectez les directives données par le technicien.
 - L'écran affiche la tentative d'accès par l'assistance technique :



2. Appuyez sur **ENTRÉE (ENTER)** pour octroyer l'accès au service d'assistance technique.
3. Une fois la connexion établie, l'icône Wi-Fi correspondante s'affiche à la barre d'état :



Énoncé de garantie limitée du produit

Couverture de la garantie et à qui elle s'applique

La garantie limitée offerte par BSH Home Appliances Corporation ("Thermador") dans cet énoncé de garantie limitée du produit ne s'applique qu'à l'appareil Thermador qui vous a été vendu, à titre de premier acheteur, pourvu que le produit ait été acheté :

- Pour une utilisation domestique normale (non commerciale) et qu'il n'ait été utilisé qu'à des fins domestiques normales.
- Neuf au détail (qu'il ne soit pas un modèle précédemment retourné, un modèle « tel-quel » ou un modèle de plancher) et non destiné à la revente ou à un usage commercial.
- Aux États-Unis ou au Canada, et qu'il soit demeuré en tout temps dans le pays de l'achat d'origine.

Les garanties aux présentes s'appliquent à l'acheteur original du Produit sous garantie et à tout propriétaire successif du produit acheté pour une utilisation résidentielle habituelle et la durée de la garantie.

Veillez vous assurer de retourner votre carte d'enregistrement ; bien que ce ne soit pas indispensable à la couverture de garantie. C'est toutefois le meilleur moyen pour Thermador de communiquer avec vous, dans le cas peu probable d'un rappel de produit ou d'un avis de sécurité.

Durée de la garantie

Thermador garantit que le produit est exempt de défauts autant dans les matériaux que dans la main-d'oeuvre pour une période de sept cent trente (730) jours à partir de la date d'achat. Cette période commence dès la date de l'achat et ne peut pas être arrêtée, prolongée ou suspendue pour quelque raison que ce soit.

Ce produit est également garanti comme étant exempt de défaut *esthétique* au niveau du matériau et de la fabrication (par ex. d'égratignures sur l'acier inox, d'imperfections au niveau de la peinture/porcelaine, d'éclats, de bosses ou autres dommages à la finition du produit), pour une période de soixante (60) jours à partir de la date d'achat ou de la date d'achèvement pour une nouvelle construction. La présente garantie *esthétique* exclut les variations légères de couleur causées par les différences inhérentes entre les sections peintes et les sections en porcelaine, de même que les différences causées par l'éclairage de la cuisine, l'emplacement du produit et autres facteurs similaires. Cette garantie *cosmétique* exclut spécifiquement tous les appareils d'exposition, de plancher, « tel quel » et remis à neuf.

Réparation ou remplacement comme recours exclusif

Durant cette période de garantie, Thermador ou l'un de ses fournisseurs de service autorisés réparera votre appareil sans frais (sujet à certaines limitations établies dans les présentes) s'il est prouvé qu'une défectuosité dans les matériaux ou la main-d'oeuvre affecte le fonctionnement de votre appareil. Si tous les efforts entrepris pour réparer l'appareil ont échoués, Thermador remplacera votre appareil (un modèle plus récent pourrait vous être livré, à la seule discrétion de Thermador, pour des frais additionnels). Toutes les pièces et composants deviendront la propriété de Thermador. Toutes les pièces remplacées et/ou réparées assumeront l'identité de la pièce d'origine aux fins de cette garantie et cette garantie ne sera pas prolongée suite au remplacement de ces pièces. La seule responsabilité de Thermador telle que décrite dans les présentes est de réparer un produit défectueux à la fabrication, en mandatant un fournisseur de service autorisé de Thermador durant les heures d'affaire. Pour des raisons de sécurité et de dommages aux biens, Thermador recommande de ne pas tenter de réparer vous-même le produit ou d'employer un fournisseur de services non autorisé. Thermador n'accepte aucune responsabilité pour les réparations ou le travail effectué par un fournisseur de service non autorisé. Si vous acceptez qu'une personne autre qu'un fournisseur de service autorisé travaille à réparer votre produit, CETTE GARANTIE DEVIENDRA AUTOMATIQUEMENT NULLE ET NON AVENUE. Les fournisseurs de service autorisés sont les personnes morales ou sociétés spécialement formées pour réparer les produits Thermador et qui possèdent, selon Thermador, une réputation supérieure au niveau du service à la clientèle et des compétences techniques (notez qu'il s'agit d'entités indépendantes et non d'agents, partenaires, sociétés affiliées ou représentants de Thermador). En dépit des énoncés ci-dessus, Thermador n'accepte aucune responsabilité pour un appareil se trouvant dans une région éloignée (à plus de 200 km d'un fournisseur de service autorisé), ou dans un lieu ou un environnement inaccessible, dangereux, menaçant ou hasardeux ; dans un tel cas, si vous le demandez, Thermador paiera pour les pièces et la main-d'oeuvre, et expédiera le tout au fournisseur de service autorisé le plus près. Vous serez toutefois entièrement responsable des frais de déplacement ou autres frais spéciaux engagés par la société de service, assumant que cette dernière accepte d'effectuer la réparation.

Appareil hors garantie

Thermador n'est assujettie à aucune obligation, au titre de la loi ou autrement, de vous offrir des concessions, incluant les réparations, prorata ou remplacement de produit une fois cette garantie expirée.

Exclusions de la garantie

La garantie décrite dans les présentes exclut toutes les défauts ou dommages qui ne sont pas du fait direct de Thermador, incluant, mais sans s'y limiter, un ou plusieurs des éléments suivants :

- Utilisation du produit pour quelque raison autre que son usage normal de la façon prévue (incluant mais sans s'y limiter, toute forme d'usage commercial, d'usage ou d'entreposage d'appareils pour l'intérieur à l'extérieur, d'usage de l'appareil avec tout moyen de transport maritime ou aérien).
- Toute conduite inappropriée, négligence, mauvais usage, abus, accident, utilisation inadéquate, absence d'entretien, installation inadéquate ou négligente, modification, non-respect des instructions d'utilisation, manutention inappropriée, réparations non autorisées (incluant les réparations « maison » ou l'exploration des mécanismes internes de l'appareil).
- L'ajustement, l'altération ou la modification de toute forme que ce soit.
- Le non-respect des codes du bâtiment, règlements ou lois de la ville, de la province ou du pays en matière d'électricité, de plomberie, incluant une installation non conforme aux règlements et codes du bâtiment et des services d'incendie.
- L'usure normale, les déversements d'aliments ou de liquides, les accumulations de graisse ou d'autres substances qui s'accumulent sur, dans ou autour de l'appareil.
- Toute force et facteur extérieur causé par les éléments ou l'environnement, incluant, mais sans s'y limiter, la pluie, le vent, le sable, les inondations, les coulées de boue, les températures extrêmes, l'humidité excessive ou l'exposition prolongée à l'humidité, la foudre, les pannes de courant, les défaillances structurales autour de l'appareil et les catastrophes naturelles.

En aucun cas Thermador ne peut être tenu responsable de dommages aux biens environnants, incluant les armoires de cuisine, les planchers, les plafonds et toute autre structure ou objet entourant l'appareil. Également exclus de cette garantie sont les appareils dont les numéros de série ont été modifiés, effacés ou rendus illisibles ; les visites de service visant à vous enseigner comment utiliser l'appareil ou les visites qui ne révèlent aucune défaillance à l'appareil ; la correction des problèmes d'installation (vous êtes seul responsable de la mise en place de l'appareil, notamment au niveau de l'électricité, de la plomberie et des autres installations de raccordement,

des fondations et planchers et des modifications incluant, mais sans s'y limiter, les armoires, les murs, les planchers, les étagères, etc.) et le réenclenchement des disjoncteurs ou le changement des fusibles.

SELON LES LIMITES PERMISES PAR LA LOI, CETTE GARANTIE VOUS ACCORDE DES RECOURS EXCLUSIFS RELATIVEMENT AU PRODUIT, QUE LA RÉCLAMATION SURVIENNE DE PAR LE CONTRAT OU PAR DÉLIT CIVIL (INCLUANT LA RESPONSABILITÉ STRICTE OU LA NÉGLIGENCE) OU DE TOUTE AUTRE FAÇON. CETTE GARANTIE REMPLACE TOUTE AUTRE GARANTIE, QU'ELLE SOIT EXPRESSE OU IMPLICITE. TOUTE GARANTIE IMPLICITE EN VERTU DE LA LOI, QU'ELLE CONCERNE LA QUALITÉ MARCHANDE OU L'ADAPTATION À DES FINS PARTICULIÈRES, OU AUTREMENT, NE SERA EN VIGUEUR QUE POUR LA PÉRIODE PENDANT LAQUELLE LA GARANTIE EXPRESSE LIMITÉE EST EN VIGUEUR. EN AUCUN CAS LE FABRICANT NE PEUT ÊTRE TENU RESPONSABLE DES DOMMAGES INDIRECTS, PARTICULIERS, CONSÉCUTIFS, DÉCOULANT D'UNE « PERTE COMMERCIALE » ET/OU PUNITIFS, DES PERTES OU DÉPENSES, INCLUANT, MAIS SANS S'Y LIMITER, LE TEMPS PASSÉ LOIN DU TRAVAIL, LES HÔTELS ET/OU LES REPAS AU RESTAURANT, LES FRAIS DE REMODELAGE QUI DÉPASSENT LES DOMMAGES DIRECTS DÉFINITIVEMENT ET EXCLUSIVEMENT CAUSÉS PAR THERMADOR OU AUTREMENT. CERTAINS ÉTATS OU PROVINCES NE PERMETTENT PAR L'EXCLUSION OU LA LIMITATION DES DOMMAGES CORRÉLATIFS OU IMPRÉVUS ET CERTAINS ÉTATS OU PROVINCES NE PERMETTENT PAS D'ACCORDER UNE LIMITE DE DURÉE À LA GARANTIE IMPLICITE. PAR CONSÉQUENT LES LIMITATIONS CI-DESSUS POURRAIENT NE PAS S'APPLIQUER À VOUS. CETTE GARANTIE VOUS ACCORDE DES DROITS LÉGAUX SPÉCIFIQUES ET VOUS POURRIEZ ÉGALEMENT DISPOSER D'AUTRES DROITS QUI VARIENT D'UN ÉTAT À L'AUTRE ET D'UNE PROVINCE À L'AUTRE.

Aucune tentative de modifier ou d'amender cette garantie ne sera considérée comme applicable à moins qu'elle n'ait été autorisée par écrit par un responsable de BSH.

Support

Thank you for being a Thermador customer!

Thermador is dedicated to supporting you and your appliance so you have many years of creative cooking. Please don't hesitate to contact us if you have any questions. We're happy to help you with cleaning and care instructions, cooking tips, accessories, troubleshooting, and more.

USA:

1-800-735-4328

thermador.com/customer-care

Canada:

1-800-735-4328

thermador.ca/support

Accessories and parts

Filters, Thermador cleaners, Teppanyaki pans, griddles, replacement parts, and more can be purchased in our online accessories store.

USA:

store.thermador.com/us

Canada:

Filters, parts and accessories can be purchased through our distributors.

Marcone: 1-800-287-1627

Reliable Parts: 1-800-663-6060

Soutien

Merci d'être un client Thermador!

Thermador s'engage à offrir tout le support dont vous et votre appareil avez besoin afin que vous puissiez en profiter pleinement. N'hésitez pas à communiquer avec nous pour toute question. Nous serons heureux de vous aider avec des directives concernant le nettoyage et les soins, des conseils de cuisson, des accessoires, le dépannage et plus encore.

É.-U. :

1-800-735-4328

thermador.com/customer-care

Canada :

1-800-735-4328

thermador.ca/support

Accessoires et pièces

Vous trouverez dans notre magasin d'accessoires en ligne des filtres, des produits nettoyants Thermador, des poêles Teppanyaki, des plaques à frire, des pièces de rechange et plus encore.

É.-U. :

store.thermador.com/us

Canada :

Les filtres, pièces et accessoires peuvent être achetés auprès de nos distributeurs.

Marcone: 1-800-287-1627

Reliable Parts: 1-800-663-6060



1901 MAIN STREET, SUITE 600, IRVINE, CA 92614 // 800-735-4328 // WWW.THERMADOR.COM

© 2019 BSH Home Appliances Corporation

8001146563, Rev. B