

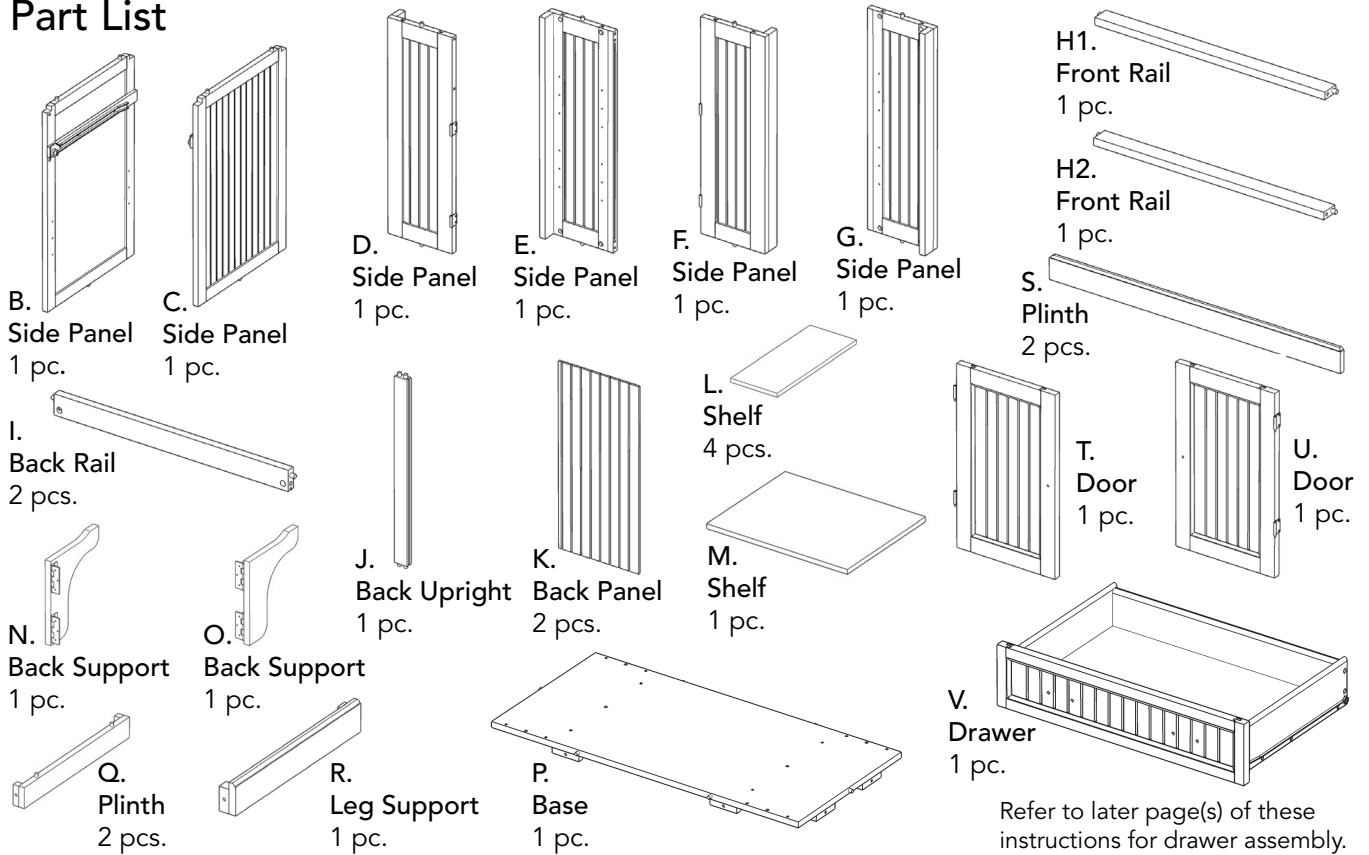
**IMPORTANT**

Carefully remove all the parts from the carton and place them individually on a soft cloth to prevent scratches or other damage.

Carefully and strictly follow these assembly instructions to ensure a completed product as designed.

Do not use power tools above 8 volts to assemble.

**Part List**



**Hardware List**



Carton 20 05022 0944 is also needed for assembly.

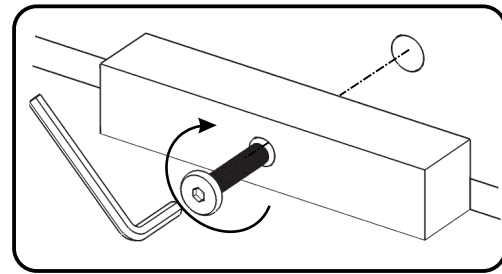
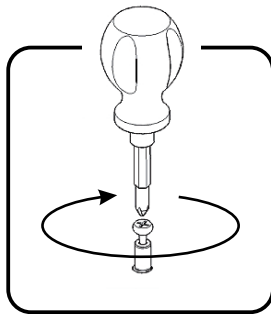
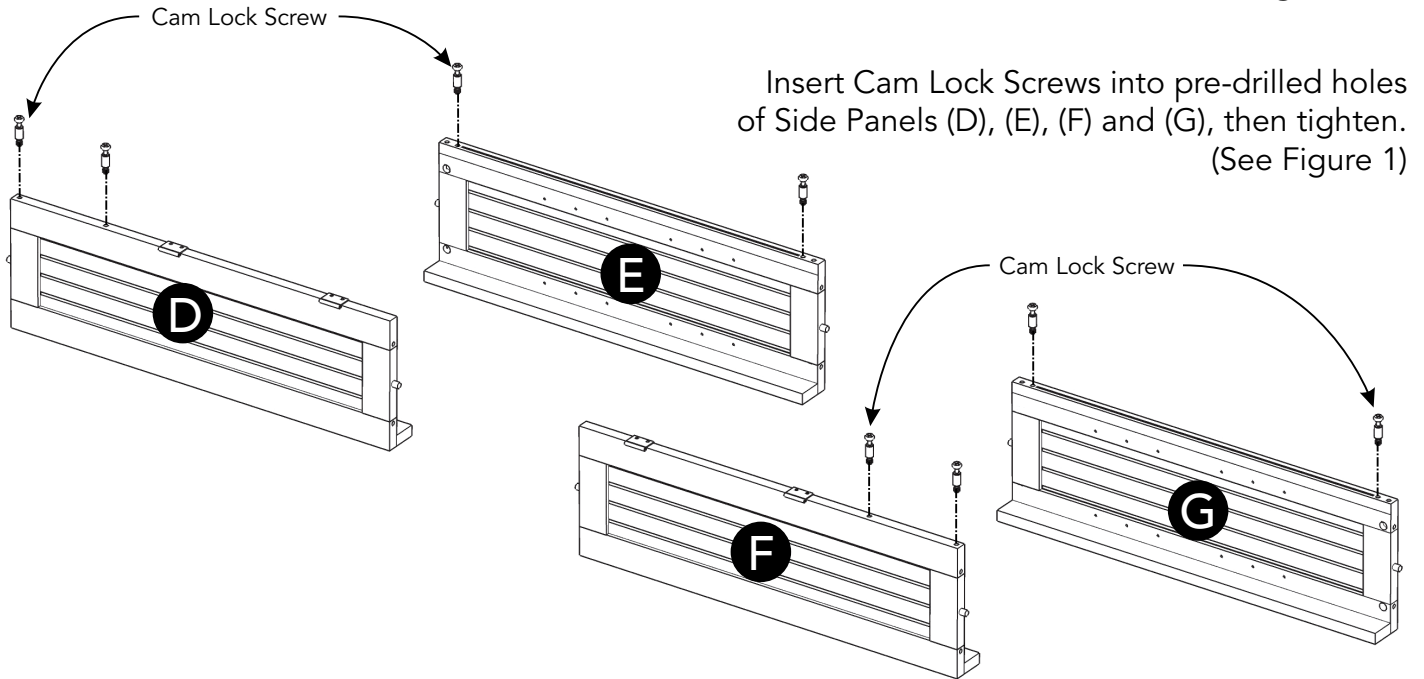
Tool(s) required for assembly: Phillips screwdriver, Level

# Assembly Instructions 2/6

## IMPORTANT

- Use a soft cloth between these parts and the floor.
- Do not use power tools above 8 volts to assemble.
- Do not tighten all the bolts until each part is properly assembled.
- The unit must be level to work properly. Use the included adjustable levelers to level.
- Keep Hex Wrench as the bolts may need to be tightened in the future.

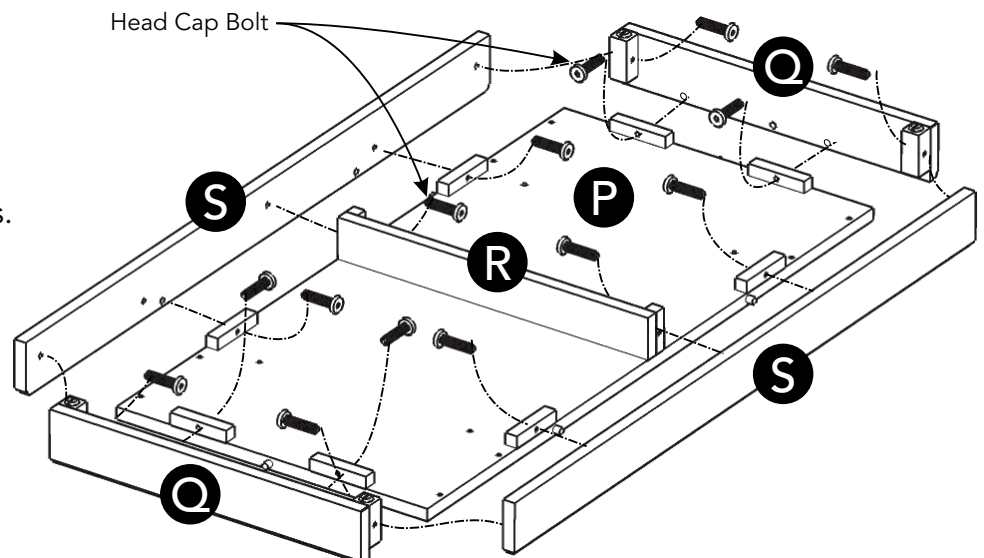
## STEP 1



## STEP 2

Attach Plinths (Q) and (S) to Base (P) with Head Cap Bolts. (See Figure 2)

Attach Leg Support (R) to unit with Head Cap Bolts.



# Assembly Instructions 3/6

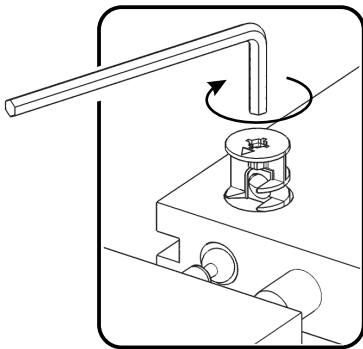
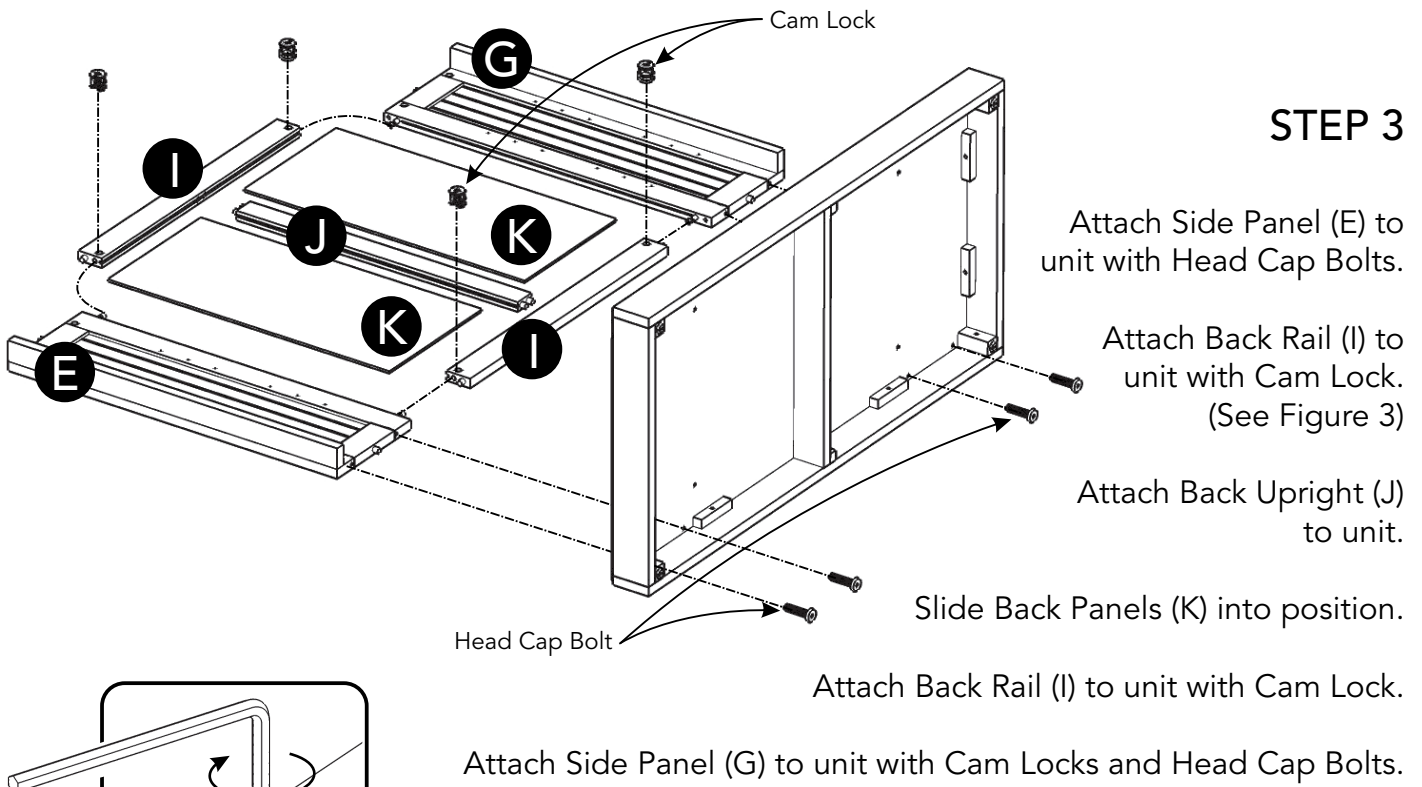
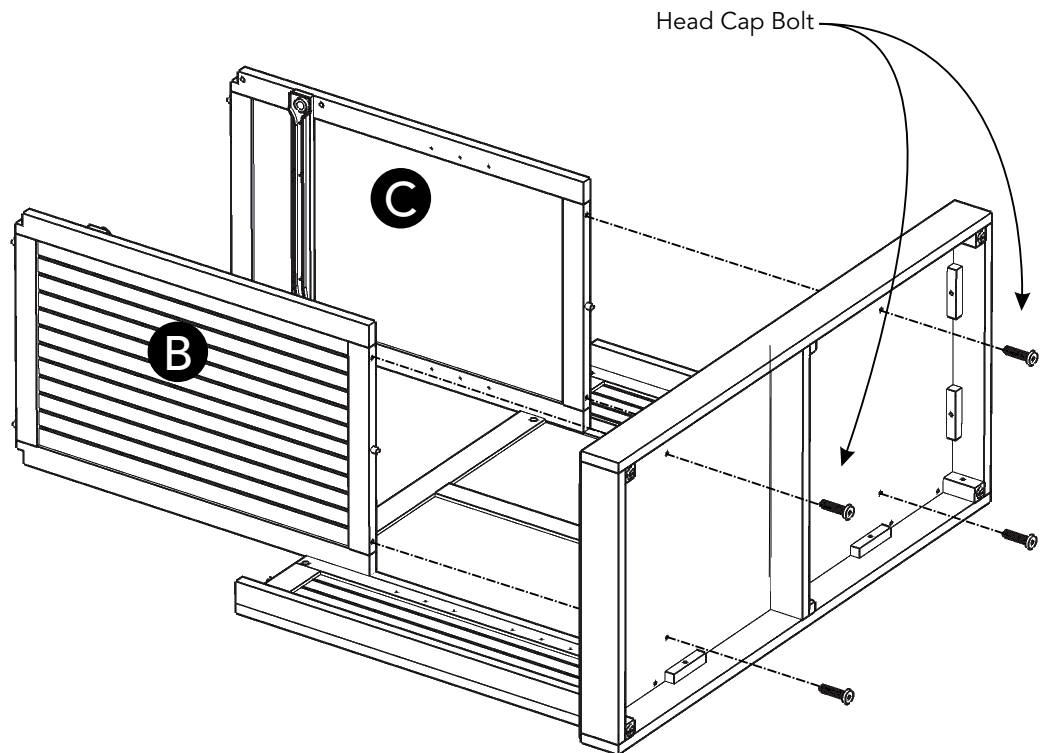


Figure 3



## STEP 4

Attach Side Panels (B) and (C) to unit with Head Cap Bolts.

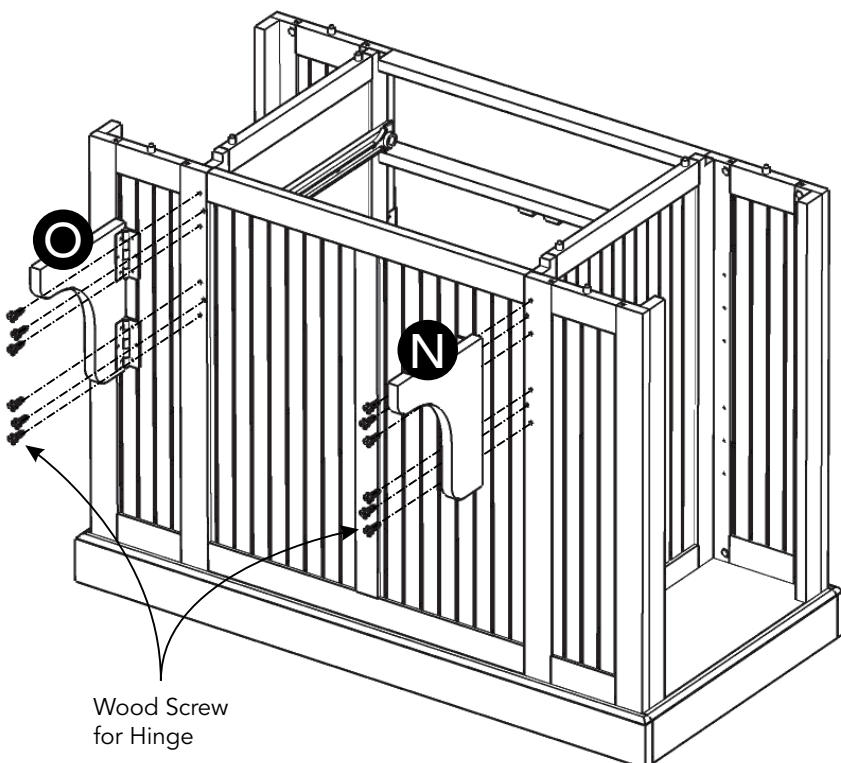
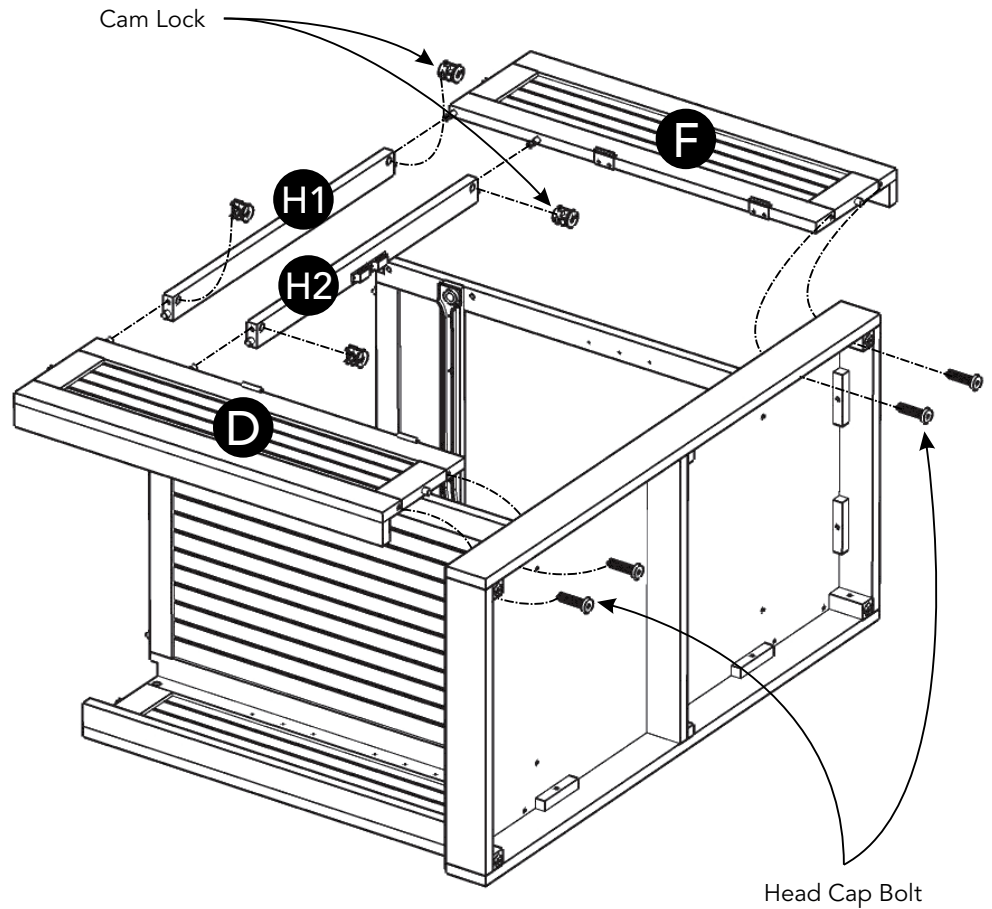
## Assembly Instructions 4/6

### STEP 5

Attach Side Panel (D) to unit with Head Cap Bolts.

Attache Front Rails (H1) and (H2) to unit with Cam Locks.

Attach Side Panel (F) to unit with Head Cap Bolts and Cam Locks.



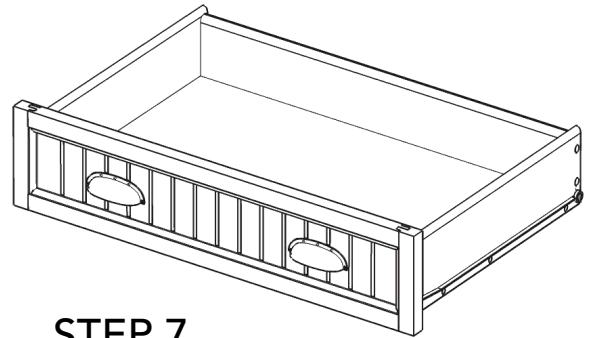
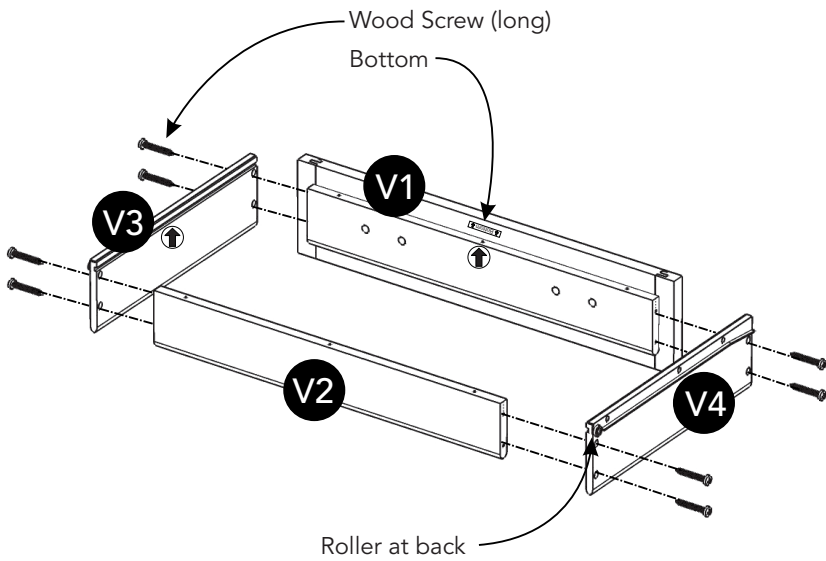
### STEP 6

Turn unit to its' upright position.

Attach Back Supports (N) and (O) to unit with Wood Screws for Hinge.

# Assembly Instructions 5/6

## Drawer (V)



### STEP 7

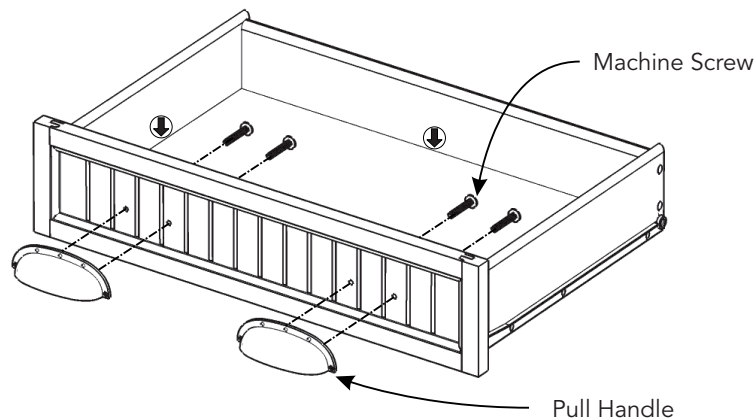
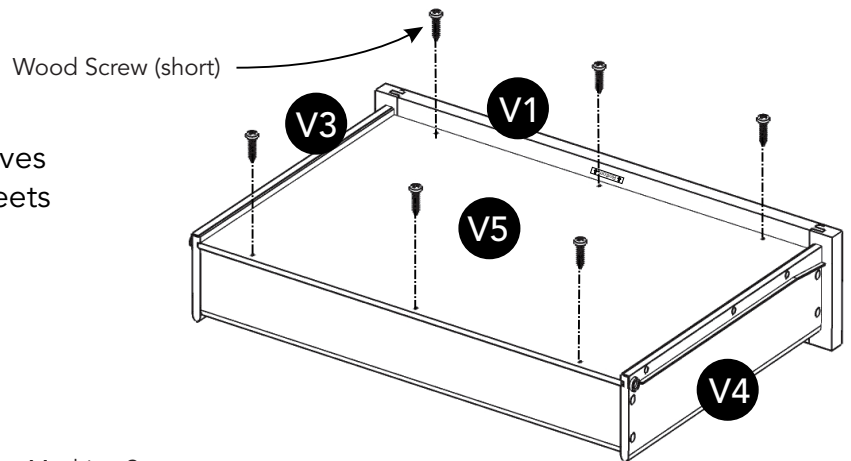
Attach Drawer Front (V1) and Drawer Back (V2) to Drawer Side (V3) with Wood Screws (long).

Attach Drawer Side (V4) to unit with Wood Screws (long).

### STEP 8

Slide Drawer Bottom (V5) into the grooves of Drawer Sides (V3) and (V4) until it meets Drawer Front (V1).

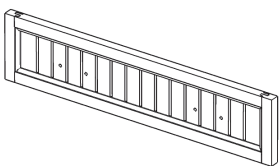
Attach Drawer Bottom (V5) to unit with Wood Screws (short).



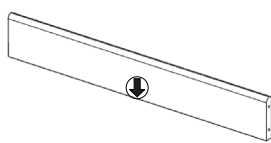
### STEP 9

Attach Pull Handles with Machine Screws.

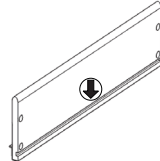
## Part List



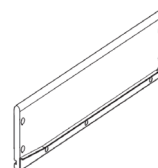
V1.  
Drawer Front  
1 pc.



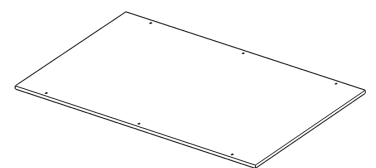
V2.  
Drawer Back  
1 pc.



V3.  
Drawer Side  
1 pc.



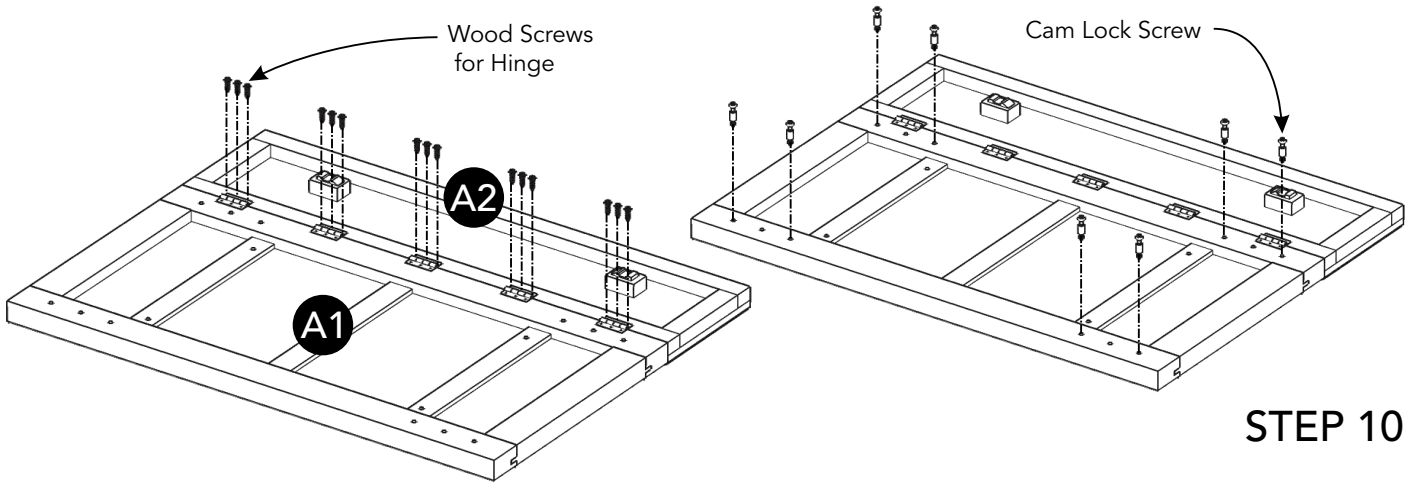
V4.  
Drawer Side  
1 pc.



V5.  
Drawer Bottom  
1 pc.



# Assembly Instructions 6/6



## STEP 10

Place Tops (A1) and (A2) upside down on a soft cloth.

Attach Top (A2) to Top (A1) with Wood Screws for Hinge.

Insert Cam Lock Screws into pre-drilled holes of top unit, then tighten.

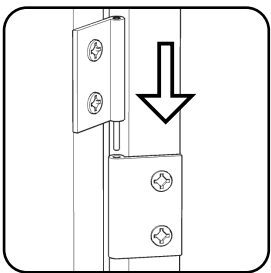


Figure 4

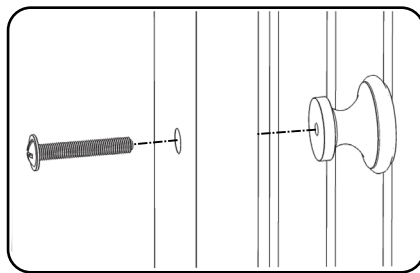


Figure 5

## STEP 11

Insert Adjustable Pins into side panels at desired level.

Place Shelves (L) and (M) into position.

Attach Doors (T) and (U) to unit by sliding door hinges into side panel hinges. (See Figure 4)

Attach Knobs to Doors (T) and (U) with Machine Screws. (See Figure 5)

Attach top unit to unit with Cam Locks.

Slide Drawer (V) into position.

Level unit by adjusting the adjustable levelers on bottom of unit. (See Figure 6)

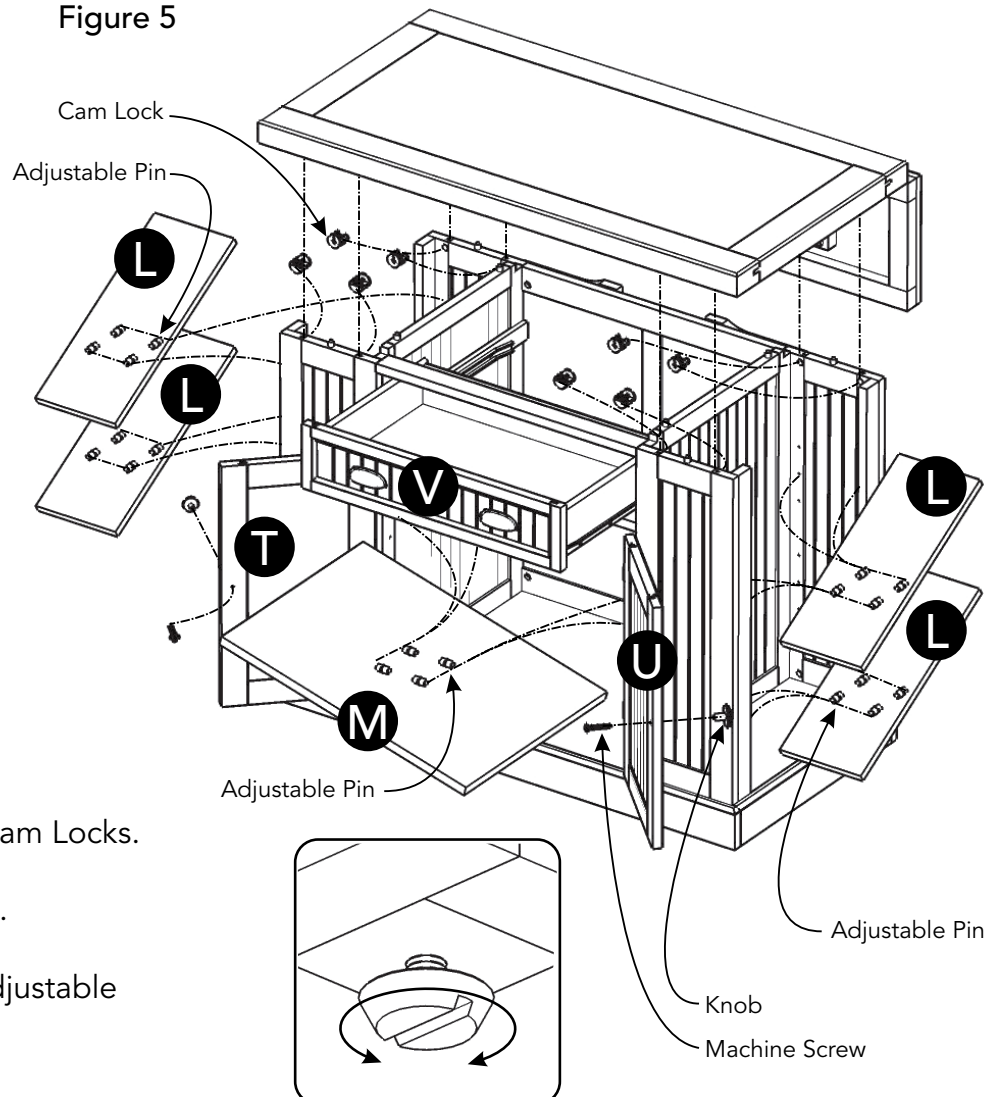


Figure 6

# CARE INSTRUCTIONS

## NEVER

allow liquids to remain on furniture.  
Absorption causes parts to warp  
and split and finishes to delaminate.

## NEVER

use glass cleaners on  
finished furniture. Ammonia  
chemically attacks the finish.



Do not use power tools  
above 8 volts to assemble.  
**PREVENT  
CRACKING**



Do not place  
in direct sunlight.  
**PREVENT  
FADING**



Do not write  
directly on surface.  
**PREVENT  
MARKING**



Do not place hot  
objects on surface.  
**PREVENT  
FINISH DAMAGE**



Do not use rubber  
based placemats.  
**PREVENT  
DISCOLORING**



Do not use commercial  
waxes and polishes.  
**PREVENT  
YELLOWING**

## CLEAN

with a soft cloth moistened  
in lukewarm soap and water.  
Buff with a dry clean cloth.



Home Styles will provide replacements free of charge for missing or damaged hardware or parts within 30 days of purchase. Digital images of the defective parts may be required. If the product was not purchased from an authorized retail affiliate, Home Styles is under no obligation to provide replacement parts. Parts are not available for fully assembled items nor are parts available for sale. Replacements for missing or damaged hardware or parts may be requested at:

[www.homestyles-furniture.com/customer-service/replacement-parts](http://www.homestyles-furniture.com/customer-service/replacement-parts)

Home Styles Customer Service: [www.homestyles-furniture.com](http://www.homestyles-furniture.com),  
[servicedesk@homestyles-furniture.com](mailto:servicedesk@homestyles-furniture.com), 888-680-7460, 877-831-0319