

MM-4320



4.3" Factory Mount Mirror Monitor

User Manual



ECHOMASTER



MM-4320
4.3" Factory Mount Mirror Monitor

Introduction

Thank you for purchasing your EchoMaster Mirror Monitor.

EchoMaster mirror monitors are designed to improve safety by providing high quality images from camera inputs. This may help to improve vehicle maneuvering capabilities by displaying blind spots or areas not normally visible to the driver.

Please ensure you read and understand all aspects of this manual before fitting or using your EchoMaster mirror monitor.

Box Contents

- ▶ User Guide
- ▶ Mirror Monitor
- ▶ Main Harness
- ▶ Universal Mounting Button
- ▶ Cable Management
- ▶ Allen Key

Key Features

- ▶ Factory replacement mirror
- ▶ Dual video sensing inputs
- ▶ Auto-dimming display

MM-4320

4.3" Factory Mount Mirror Monitor



Fitting Instructions

The MM-4320 will replace your factory fitted rearview mirror.

Remove the original mirror from the vehicle and replace with the MM-4320. If your factory mounting bracket differs from the MM-4320 then there is a supplied metal button that can be bonded to the windshield to allow the new mirror to fit.

Once the unit is in place, you can run the connections cable across the headliner of the vehicle and down the A pillar.

Please ensure that you do not impede the operation of any airbags that may be located in the A pillar of the vehicle. Any cable passing these airbags should be run behind the airbag and not in front of it.

Once the cable has been routed down to the dashboard, connect the camera inputs and power connections as shown in the wiring diagram section of this manual.

Operating Instructions

The screen will automatically turn on when it detects a signal input on either channel.

If the signal input is on Video 1 then the picture can be turned off by pressing the POWER button on the monitor. To turn it back on, press the button again. If a video signal is detected on Video 2 then the screen will automatically switch over to this channel. When Video 2 is being displayed, the monitor cannot be turned off.

Video 2 has a brightness adjustment which is selectable by briefly pressing the power button when a Video 2 image is being displayed.

The screen display will auto-dim in dark conditions so as not to distract the driver.

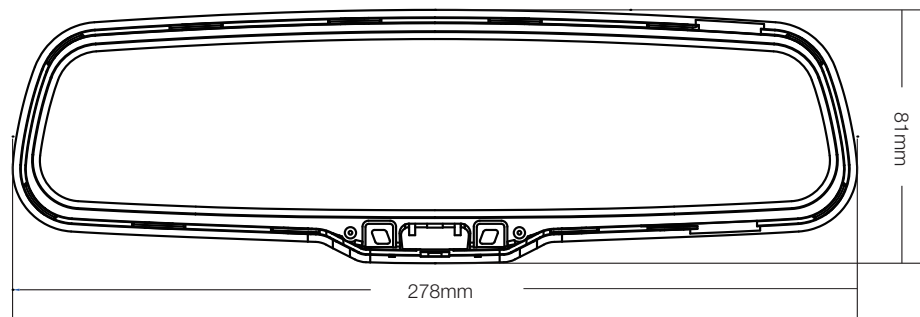


MM-4320
4.3" Factory Mount Mirror Monitor

Wiring Diagram



Dimensions



MM-4320
4.3" Factory Mount Mirror Monitor

Specifications

MM-4320	
Screen Size	4.3"
Aspect Ratio	16:9
Power Supply	12VDC
Resolution	480x272
Luminance	1000
Contrast	500:1
TV Format	Auto
OSD Languages	English
Video Inputs	2
Audio Inputs	0
Triggers	0
Current Draw	200-400mA
Operating Temperature	-20C - +60C
Parking Guidelines	No
Connection Type	RCA
Dimensions (mm)	278 x 81 x 43



MM-4320
4.3" Factory Mount Mirror Monitor

MM-4320
4.3" Factory Mount Mirror Monitor





15500 Lightwave Drive, Suite 202, Clearwater, Florida 33760
Woolmer Way, Bordon, Hampshire, United Kingdom

email - support@aampglobal.com (US)
tel - 1-800-477-2267 (East Coast) - 1-888-883-2790 (West Coast)

email - technical.eu@aampglobal.com (Europe)



EchoMaster is a Power Brand of AAMP Global.
EchoMaster.com