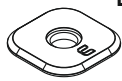


# BLUESOUND®

## Installation Instructions for WM200 Wall Mount Bracket

A - Cover



B - M6x12mm



C - M6x16mm



E - Bobbin



D - O-ring



F - M6x20mm



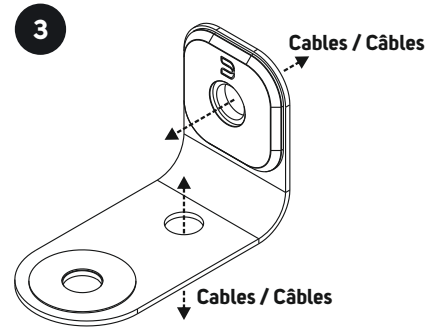
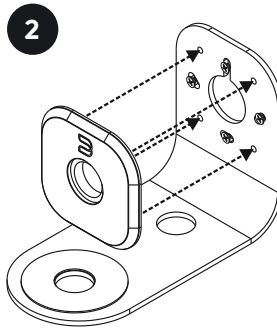
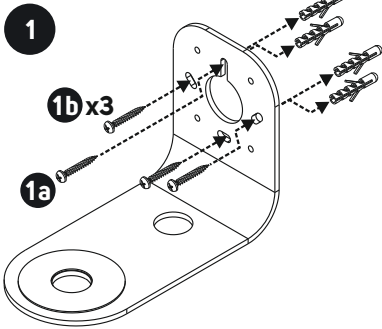
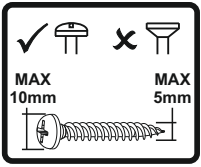
G - Self-adhesive bolt cover



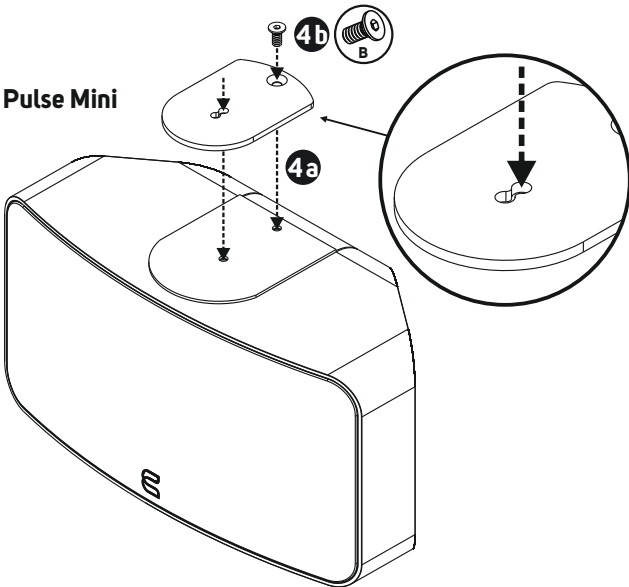
H - Bung X2



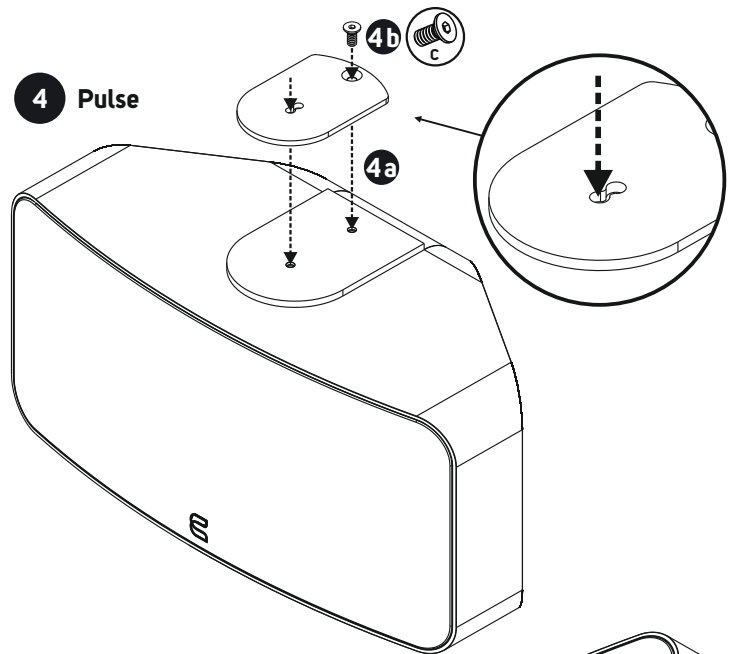
I - Allen key



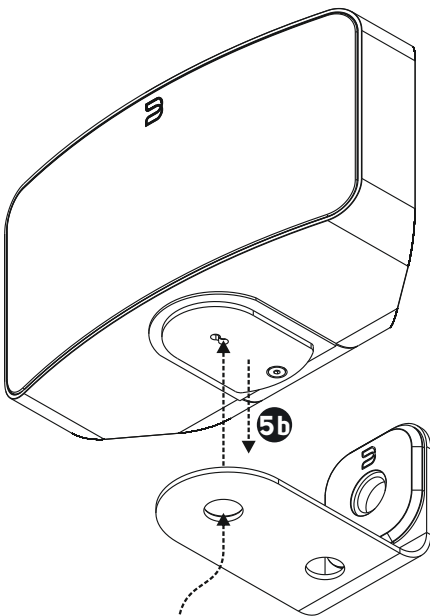
### 4 Pulse Mini



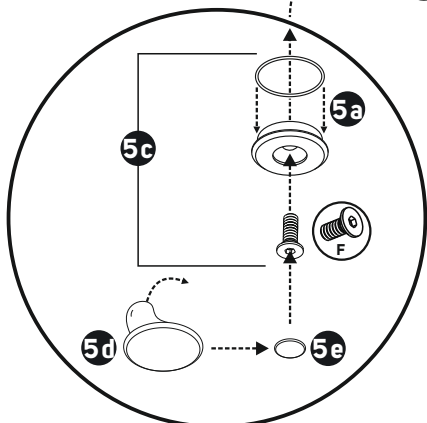
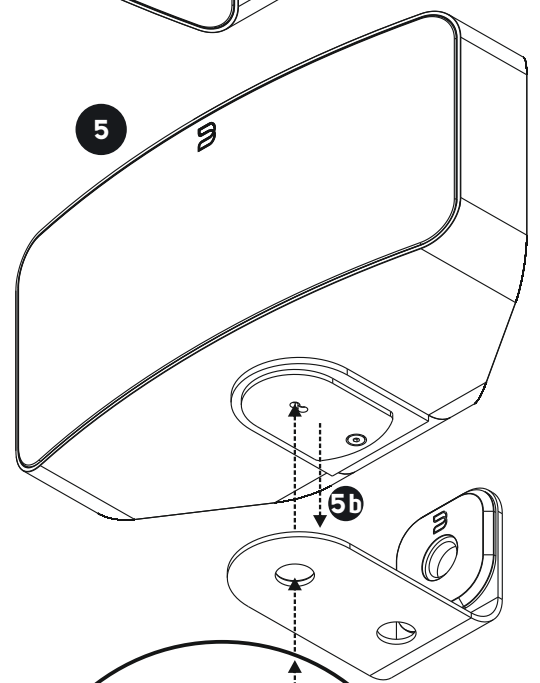
### 4 Pulse



### 5



### 5



### 6

H - Bung X2

