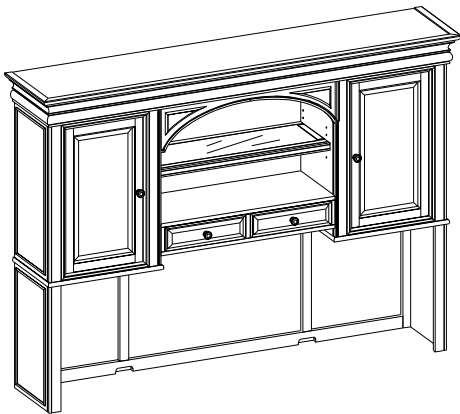




ITEM NO: I92-319 72" Credenza Hutch

Thank you for purchasing this quality product. Be sure to check all packing material carefully for small parts that may come loose inside the cartan during shipment.



I92-319



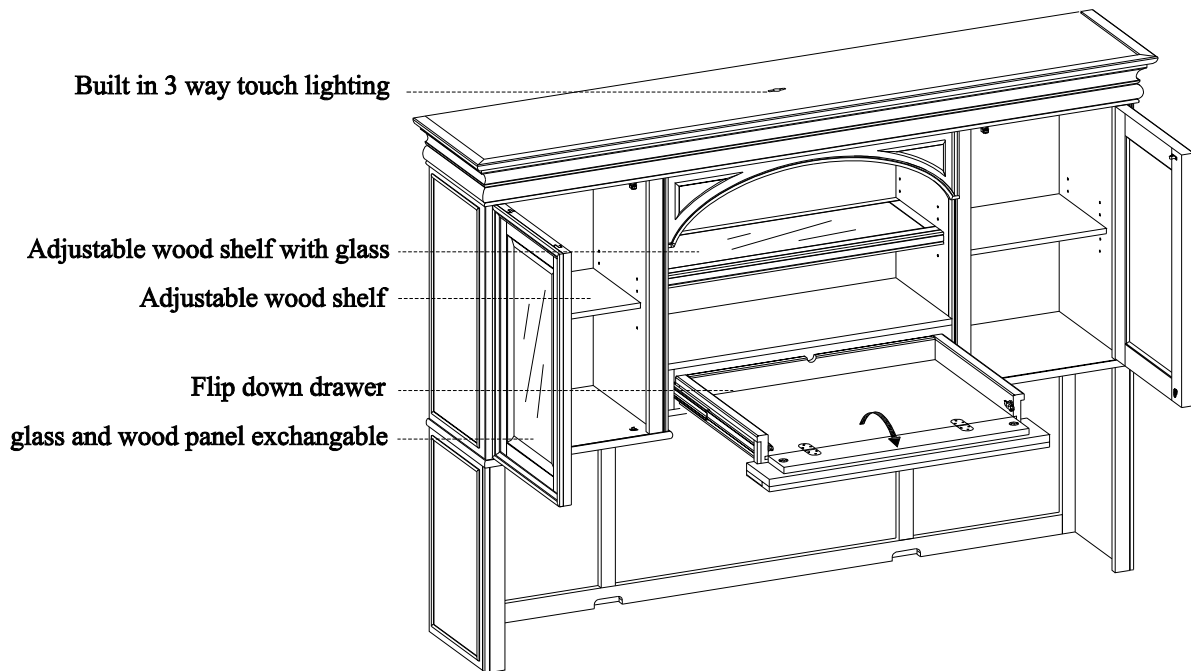
TOOLS REQUIRED (NOT PROVIDED)

PHILLIPS SCREWDRIVER

COMPONENTS LIST: I92-319

No.	Description	Sketch	Quantity
1	Glass for Doors		2 PCS
2	Glass for Shelf		1 PC

FUNCTIONALITY INSTRUCTION



BEFORE USING THIS PRODUCT PLEASE READ, UNDERSTAND, AND FOLLOW THESE INSTRUCTIONS.
Save these instructions for future reference.

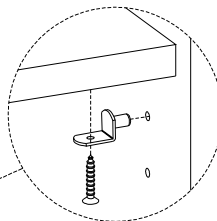
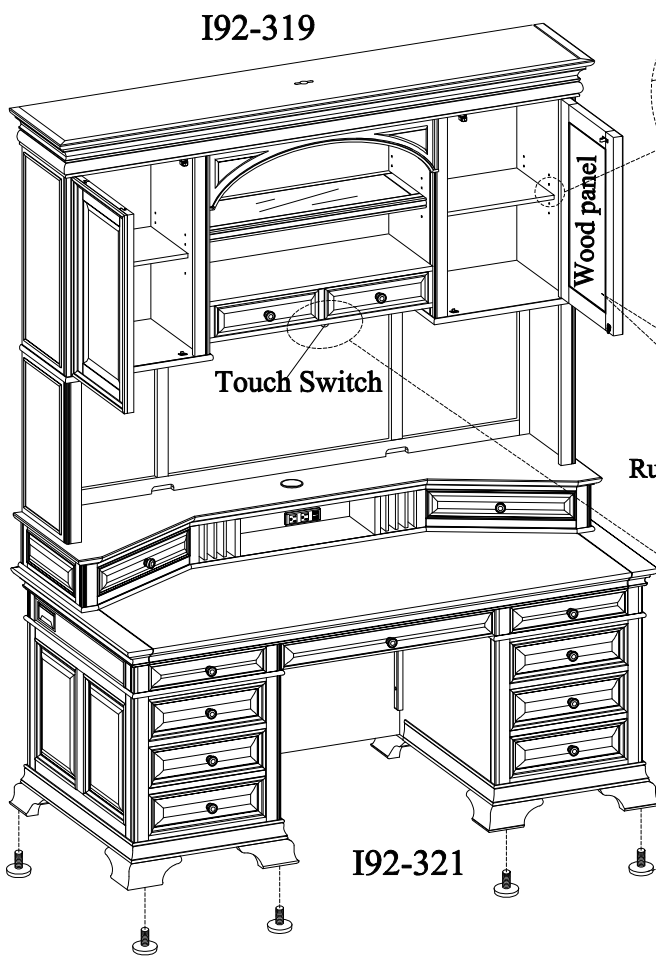
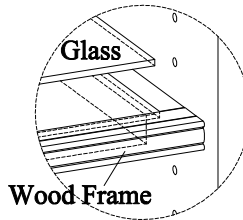
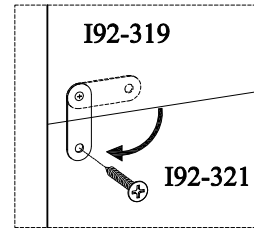
FOR INDOOR USE ONLY



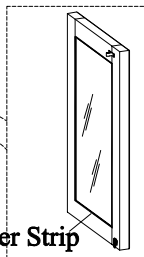
ITEM NO: I92-319 72" Credenza Hutch

STEP 1: Put the hutch on the credenza top. Take off one screw from each metal plate on the back of hutch and swing it in an ideal place. Then re-secure the metal plate with screw to credenza.

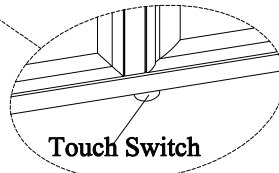
STEP 2: Put the glass in the center of wood frame.



If you prefer to adjust the shelf location, remove the screws and move shelf brackets to the desired location. Then secure the brackets to shelf with screws.

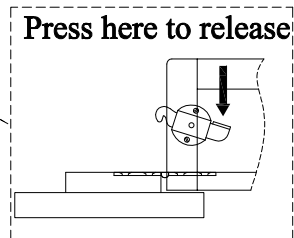
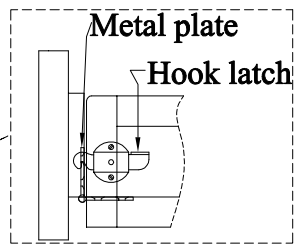


If you want to change the wood door panel to glass, remove the rubber strip and wood door panel. Place glass panel in door frame and re-insert the rubber strip.



Push the touch switch to turn on/off or adjust the lighting.

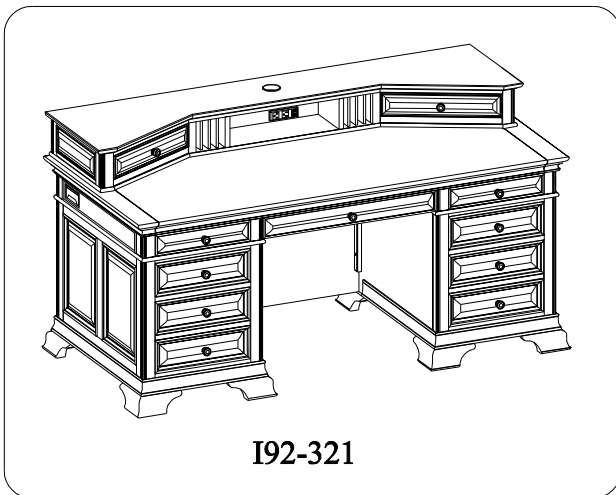
Adjust the leveler when necessary





ITEM NO: I92-321 72" Credenza Desk (w/ sliding top and storage)

Thank you for purchasing this quality product. Be sure to check all packing material carefully for small parts that may come loose inside the carton during shipment.

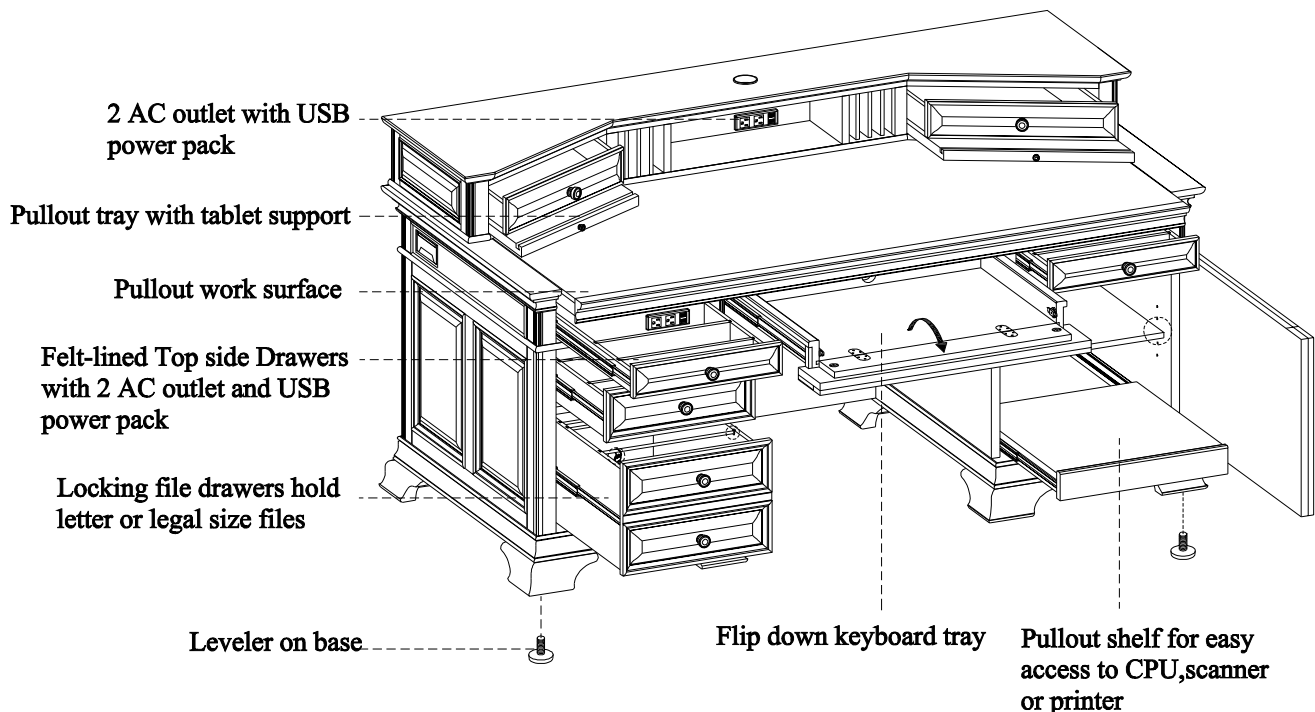


I92-321

TOOLS REQUIRED (NOT PROVIDED)

PHILLIPS SCREWDRIVER

FUNCTIONALITY INSTRUCTION

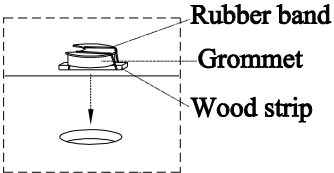


BEFORE USING THIS PRODUCT PLEASE READ, UNDERSTAND, AND FOLLOW THESE INSTRUCTIONS. Save these instructions for future reference. FOR INDOOR USE ONLY

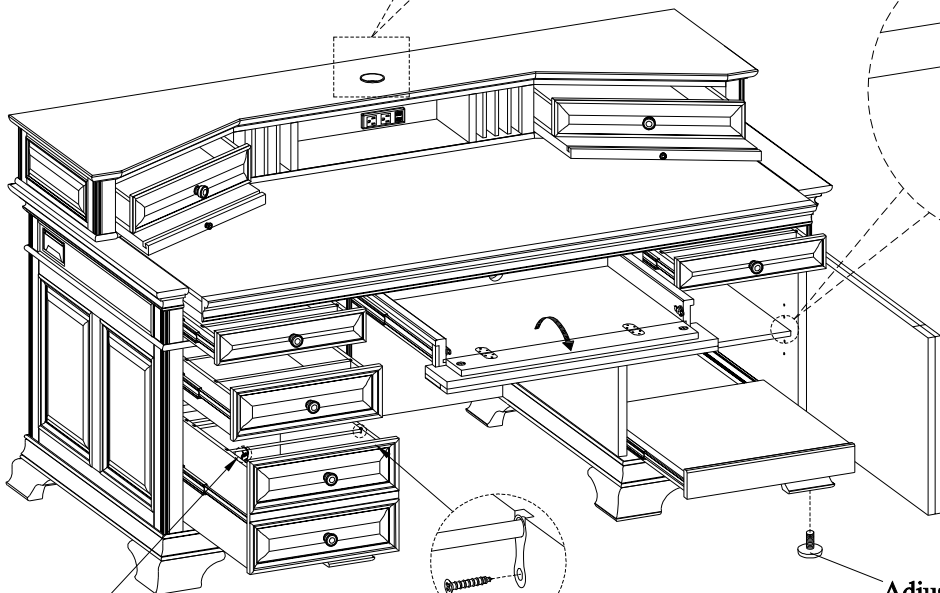
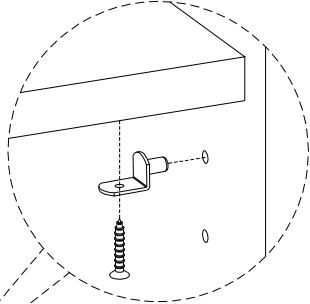


ITEM NO: I92-321 72" Credenza Desk (w/ sliding top and storage)

Cut the rubber band and remove the wood strip under the grommet.



If you prefer to adjust the shelf location, remove the screws and move shelf brackets to the desired location. Then secure the brackets to shelf with screws.



Keys for file lock. Do not trash.

Remove the wood screws on the side of drawer box to remove the rod loops and file rods if necessary.

Adjust the leveler when necessary

