



XOU30BWDDGO
UNDERCOUNTER COMBO
BEVERAGE CENTER & WINE COOLER
GLASS OVERLAY



Zero clearance hinges for a flush installation

Fully extending telescoping racks and shelves

Individual digital touch controls

Individual door locks

30" UNDERCOUNTER COMBO UNIT with OVERLAY FRAME DOORS

THE ULTIMATE IN CONVENIENT ENTERTAINING -YOUR FAVORITE VINTAGES AND ICY COLD BEVERAGES READY TO SERVE, JUST WHERE YOU WANT THEM

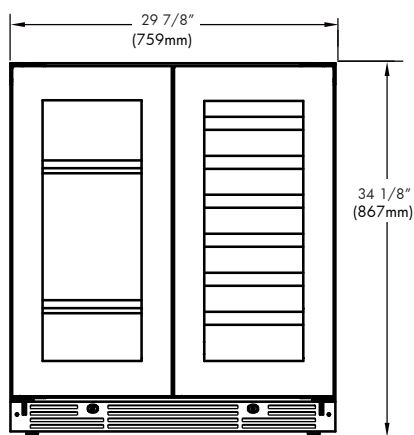
Your XO French Door Combo Unit has the ability to store both wine at 41° to 64° F ready to serve and icy cold beverages from 34° to 50°F in the same compact system. Designed to fit under a counter and where ever your life takes you.

WORLD CLASS SERVICE | COMPREHENSIVE WARRANTIES

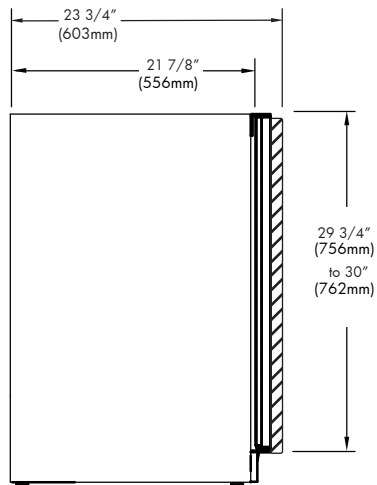
OUR LASTING COMMITMENT TO YOU



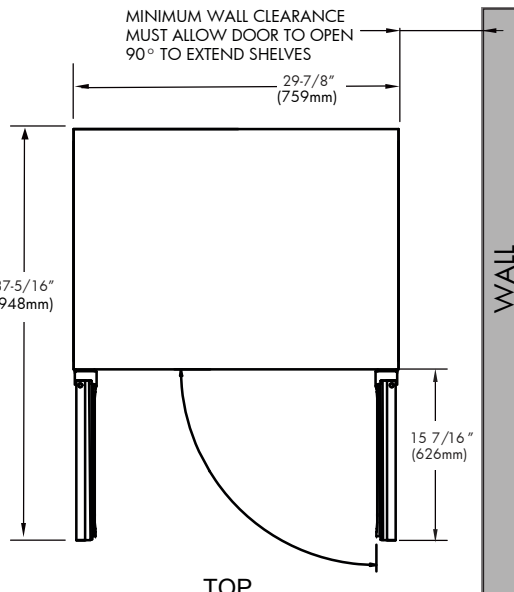
23 3/4" includes a 3/4" Overlay Panel



FRONT



SIDE



TOP

FEATURES

CAPACITY

Full extension shelves and racks hold:
(28) 750ml bottles at 41° to 64°F
(66) 12oz cans at 34° to 50°F

FEATURES

- Zero clearance hinges for flush integration*
- Secure door lock
- Full extension shelves and racks
- Library quiet 39 dBA operation
- Elegant tri-color interior illumination
- Intuitive digital touch controls
- 6-1/2' Power Cord with low profile 90° flat plug
- Low E Glass blocks harmful UV light
- Alarm Functions
- Energy Saver and Sabbath Mode

* Note: zero clearance hinges are visible just above and below the door panel

SPECIFICATIONS

ELECTRICAL	120V 60HZ 4.35 AMP*
DIMENSIONS	H 34 1/8"
	W 29 7/8"
	D 23 3/4" (w 3/4" finish panel)
ROUGH IN	H 34 1/4" min
	W 30"
	D 24"
REFRIGERANT	R600A



Watch the Video on YouTube
CLICK ON THE IMAGE

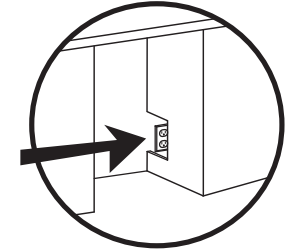
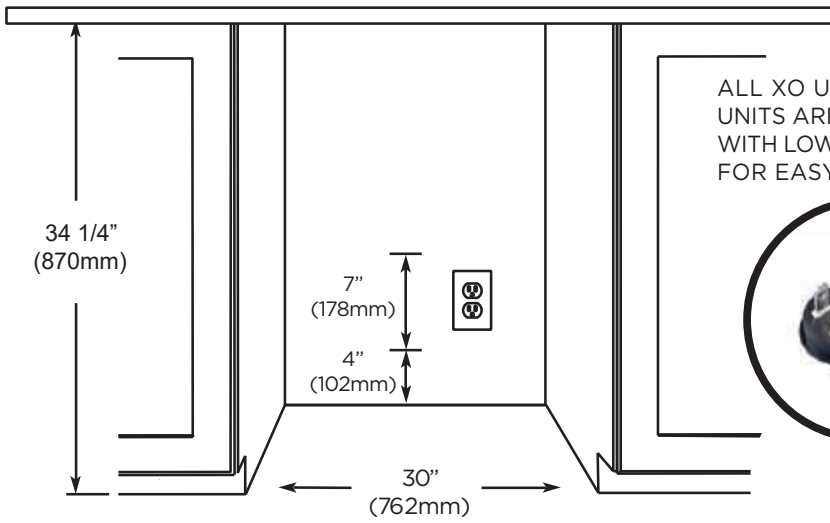


xoappliance.com | 800.966.8300

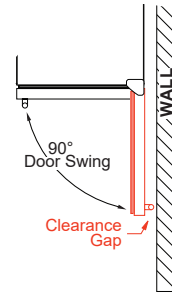
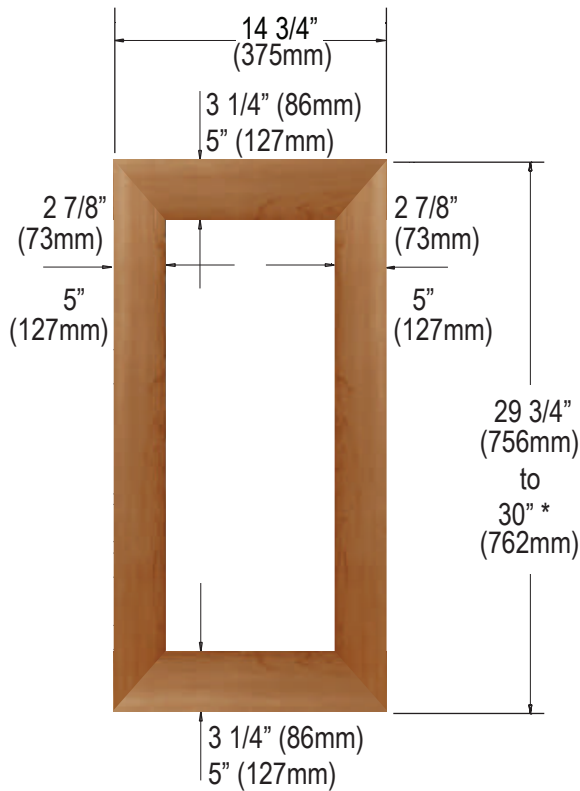


XO is exclusively distributed by
EASTERN MARKETING CORP.
24 Eisenhower Parkway
Roseland, NJ 07068

ROUGH IN DIMENSIONS

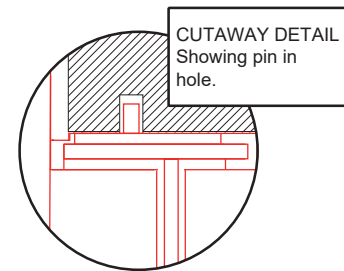


OVERLAY FRAME DIMENSIONS



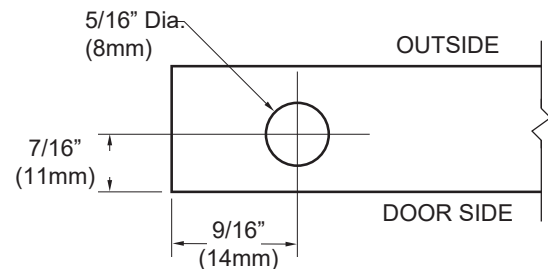
WHEN INSTALLING WITH THE HINGE SIDE NEXT TO A WALL - LEAVE ADEQUATE SPACE FOR CABINET HANDLES

DOOR MUST BE ABLE TO OPEN A MINIMUM OF 90°.



TO ACCOMMODATE THE HINGE PINS ON THE HINGE SIDE OF THE PANEL Drill a hole at least 5/16" in diameter and 1" deep into the top and bottom of the frame in the location shown.

9/16" in from the edge and 7/16" out from the unfinished side facing the door.



THE DOOR STOP IS SET AT 110° BUT CAN BE RESET TO 90° OR 140°.

IF THE DOOR CANNOT OPEN FULLY YOU CANNOT EXTEND THE RACKS.

