



TE-AJPKT Manual

1. Box Contents



Camera and wiring



Bracket



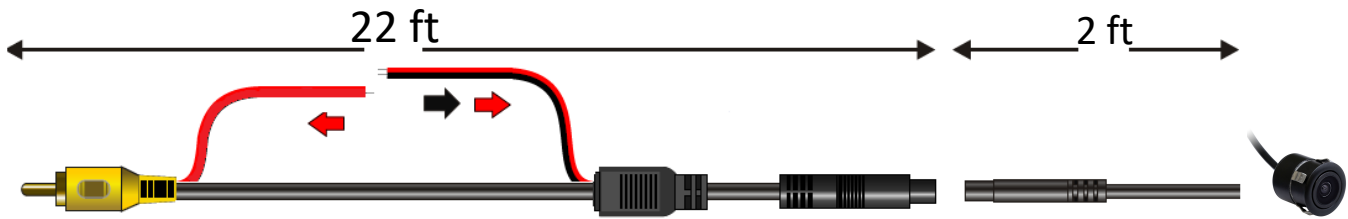
2 Push nuts

- Applications

2007-2018* Jeep Wrangler (* 2018 JK trim only)

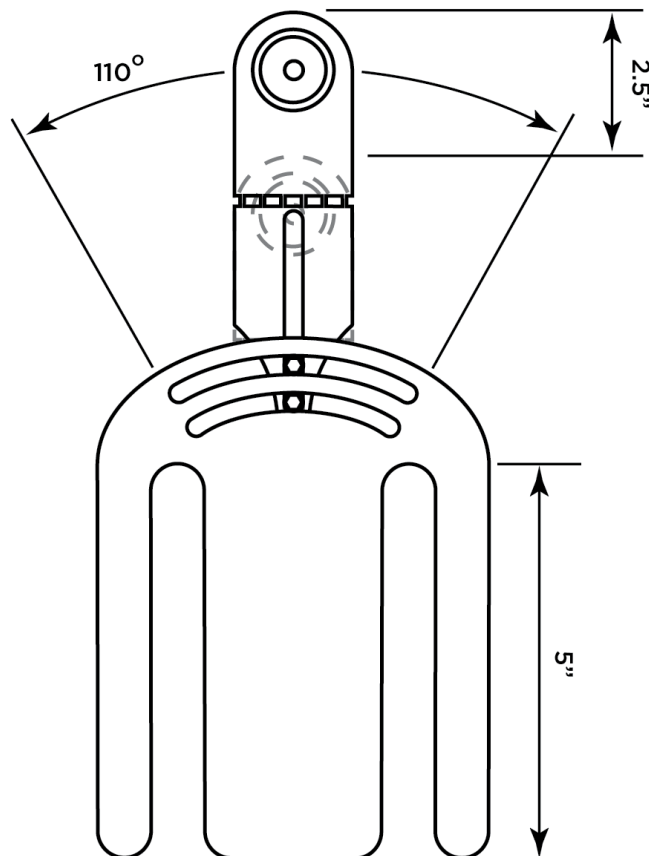
- Installation of camera
- Run camera wire through stem of bracket, DO NOT pop the camera into the bracket before confirming visual on monitor.
- Connect the **RED** wire to a 12V reverse trigger.
- Connect the **BLACK** wire to a chassis ground.
- If reverse signal is needed in the front of vehicle, **RED** wire with RCA will provide that signal from the red wire in the rear of the vehicle.
- If parking lines are needed, please cut the white loop on the harness.

4. Wiring diagram



5. Specifications

Sensor	CMOS 7080
Resolution	480 TV Lines
Field of view	Diagonal 170°, Horizontal 110°, Vertical 90°
Illumination	0.6 Lux
IP rating	IP67
Parking Lines	Defeatable (white loop on harness)
Extension cable	26'
TV system	NTSC
Working Temp	-20°C ~ 70°C
Warranty	3 years



IMPORTANT

If you are having difficulties with the installation of this product, please call our Tech Support line at 386-257-1187. Before doing so, look over the instructions a second time, and make sure the installation was performed exactly as the instructions are stated. Please have the vehicle apart and ready to perform troubleshooting steps before calling.



KNOWLEDGE IS POWER

Enhance your installation and fabrication skills by enrolling in the most recognized and respected mobile electronics school in our industry. Log onto www.installerinstitute.com or call 800-354-8782 for more information and take steps toward a better tomorrow.



**Metra recommends MECP
certified technicians**



386-257-1187

iBeamUSA.com

460 Walker Street, Holly Hill, FL 32117