



7 SERIES INTEGRATED 36"W. BOTTOM-FREEZER

Viking 7 Series – VBI/MVBI/FBI

GOOD FOR YOUR FOOD, EVEN BETTER FOR YOUR HEALTH

- **EXCLUSIVE** BlueZone™ Fresh Preservation Technology is a unique, patented air cleaning technology that strips microbes, ethylene gas, hydrocarbons, and odors from the air
 - Significantly extends food shelf life, quality, and flavor
 - Slows ripening, reduces mold, and eliminates odors
 - Commercial technology now for residential use
 - The patented BlueZone bulb will last about 12 months which is about 8,000 hours of use and a indicator light will appear when it is time to replace

DESIGN FEATURES

- Proprietary Fully Articulating Hinge has three dimensional adjustability for a perfect fit in integrated installations, and the hinge damper allows for smoothness when opening and closing door
- Soft Close Freezer Drawers form a positive seal in the freezer compartment
- Brilliant Led Lighting ensures all items are in clear view with bright, energy efficient, ramp-on theater LED lighting from top and sidewalls
- Separate Crisper Drawer offers dedicated area for produce/meat

THE LATEST IN SPILL CONTROL TECHNOLOGY

- Spillproof Plus™ Shelves with Nano technology create an invisible barrier to contain spills
- Seamless glass shelves make cleanup easy and maximize usable space
- 3/8" thick tempered glass shelves provide industry-leading durability

PRO CHILL™ TEMPERATURE MANAGEMENT SYSTEM

- Two Independent Variable-Speed High-Efficiency Overdrive™ Compressors quickly chill food and save energy
- One of the quietest, most technologically advanced compressors available with electronic controls
- Maintains temperature to within 1°F to keep food fresher longer
- Compressor is now located on the bottom allowing for full integration of the product



FEATHER TOUCH™ INTERNAL WATER DISPENSER

- Dispenses filtered water with a single touch

ENERGY STAR QUALIFIED

MODEL NUMBERS

- VBI7360W(R/L) – 36"W. Bottom-Freezer with installed 5/7 Series panel
- MVBI7360W(R/L) – 36"W. Bottom-Freezer with installed 6 Series panel (SS only)
- FBI7360W(R/L) – 36"W. Bottom-Freezer accepts wood panel

ACCESSORIES

- RWFDISP – Replacement water filter
- RBZB7 – BlueZone replacement bulb
- PHK528-SS – Professional Stainless Steel handle (1 piece / 28")
- MHK633-SS – Virtuoso Stainless Steel handle (1 piece / 33")
- MHK633-BG – Virtuoso Black Glass handle (1 piece / 33")

DESIGN OPTIONS

- Order as right or left mounted hinge

COLOR FINISHES

- VBI available in Stainless Steel (SS), Black (BK), White (WH), Apple Red (AR), Burgundy (BU), Cobalt Blue (CB), Graphite Gray (GG) (MVBI Stainless Steel only)



WARRANTY

- 2-year full covers complete unit
- 6-year full – sealed refrigeration system
- 90-day full – cosmetic parts such as glass, painted items, and decorative items
- 12-year limited – sealed refrigeration system

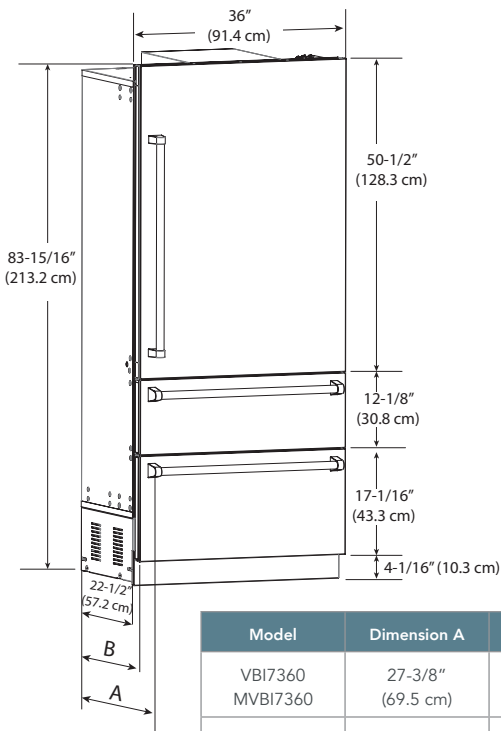


7 SERIES INTEGRATED 36"W. BOTTOM-FREEZER

Viking 7 Series – VBI/MVBI/FBI

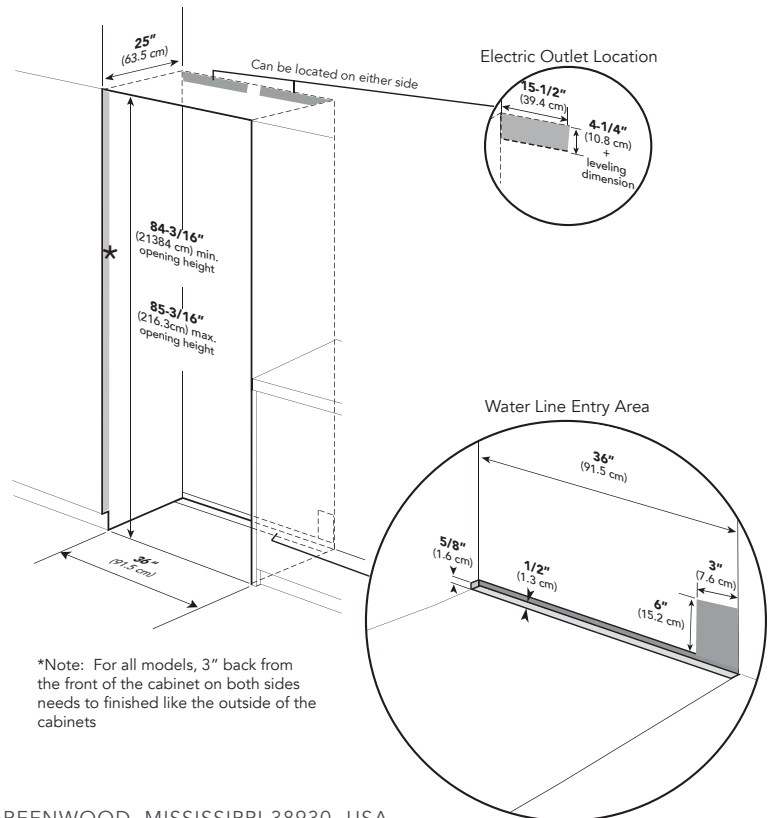
36" INTEGRATED BOTTOM-FREEZER		
DESCRIPTION	VBI7360/MVBI7360	FBI736 (WITH CUSTOM PANELS)
Overall Width	36" (91.5 cm)	
Overall Height (from bottom)	83-15/16" (213.2 cm) min. to 84-3/4" (215.7 cm) max.	
Overall Depth from rear	To front edge kickplate: 22-1/2" (57.2 cm) To front of door panel: 24-3/4" (62.9 cm)	To front edge kickplate: 22-1/2" (57.2 cm) To front of door panel: 24" (61.0 cm)
	To front of handle endcap: 27-3/8" (69.5 cm)	N/A
Cutout Width	36" (91.4 cm)	
Cutout Height	84" (213.4 cm) min to 85-3/16" (216.3 cm) max	
Cutout Depth	25" (63.5 cm) min.	
Electrical Requirements	115 volt, 60 Hz, 15 amp dedicated circuit; 3-wire cord with grounded 3-prong plug attached to product	
Maximum Amp Usage	9.9 amps	
Inlet Water Requirements	1/4" copper tubing inlet waterline; minimum 20 psi; maximum 120 psi	
Overall Interior Dimensions		
Refrigerator	13.6 cu. ft. (385.8 liters)	
Freezer	6.35 cu. ft. (180.1 liters)	
Total Capacity	19.95 cu. ft. (565.9 liters)	
Approximate Shipping Weight	565 lb. (254.3 kg)	

Please do not prepare installation from brochure data only. See installation instructions for important clearance/installation information.



Model	Dimension A	Dimension B*
VBI7360	27-3/8" (69.5 cm)	24-3/4" (62.9 cm)
MVBI7360	(69.5 cm)	(62.9 cm)
FBI7360	N/A	24" (61.0 cm)

*To outside of door panel



VIKING RANGE, LLC 111 FRONT STREET GREENWOOD, MISSISSIPPI 38930 USA

For detailed product information, model numbers, or to request a quote call 1-888-845-4641 or visit vikingrange.com
© 2018 Viking Range, LLC All rights reserved. Specifications subject to change without notice.