

RF28T5021SR

SAMSUNG

28 cu. ft. Large Capacity 3-Door French Door Refrigerator with AutoFill Water Pitcher



Signature Features

Large Capacity

A completely redesigned interior with 28 cu. ft. capacity that fits 10% more groceries.*

*When compared to Samsung 3-Door model RF261BEAE with 25.5 cu. ft. capacity.

AutoFill Water Pitcher

A built-in pitcher that automatically refills with filtered water and the option to infuse with a flavor of your choice.

Modern Design

Clean lines and modern form blend beautifully into your kitchen.

Fingerprint Resistant Finish

A finish that withstands everyday smudges, so you spend less time cleaning.

Available Colors



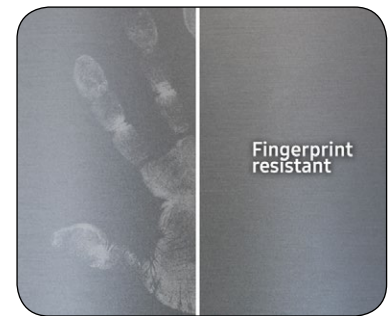
Fingerprint Resistant
Stainless Steel (shown)



Fingerprint Resistant
Black Stainless Steel



Large Capacity



Fingerprint Resistant Finish

Design

- Large Capacity of 28 cu. ft.
- Fingerprint Resistant Finish
- Modern Design
- High-Efficiency LED Lighting
- EZ-Open Handle™

Convenience

- AutoFill Water Pitcher
- Full-width internal refrigerator drawer
- Adjustable Spill-Proof Shelves
- Door Alarm
- Water Filter Indicator

Performance

- All-Around Cooling
- Ice Max Ice Maker - Stores up to 5.5 lbs of ice
- Sabbath Mode

Rating



ENERGY STAR® rated:
645 kWh/yr



ADA Compliant

RF28T5021SR

SAMSUNG

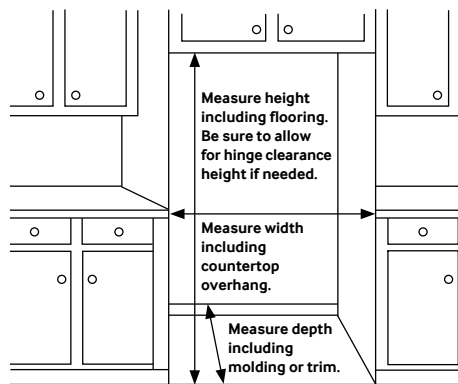
28 cu. ft. Large Capacity 3-Door French Door Refrigerator with AutoFill Water Pitcher

Installation Specifications

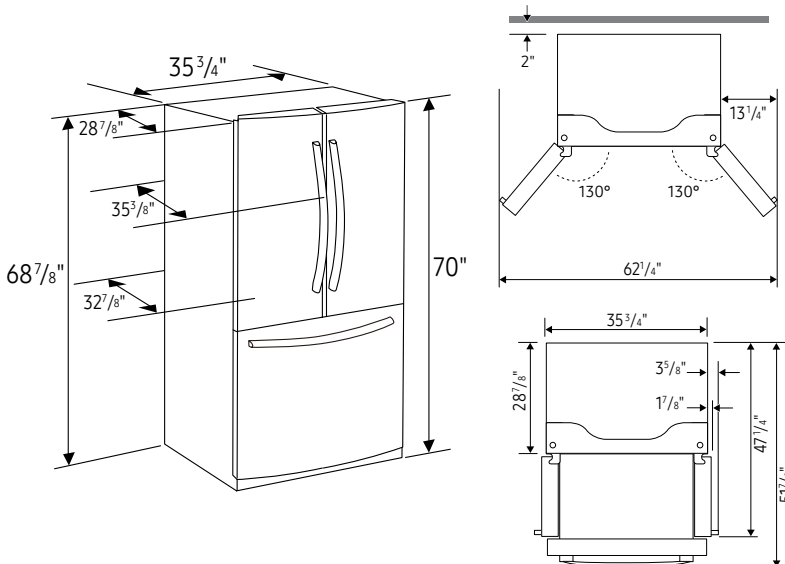
1. Measure the height, width and depth of the opening, making sure to include baseboards, molding tile, countertop overhang, etc. Check to be sure there is enough room to open the door (consider walls, islands or other obstacles when measuring).
2. Refer to illustration below to determine dimensions.
3. Allow 2.5" of clearance on hinge side of refrigerator when installing next to a wall where handle may make contact.
4. Allow 1" minimum clearance at rear for proper air circulation and water/electrical connections. Allow a 3/8" minimum clearance at sides and top for ease of installation.
5. Ensure each door and entryway in the home is wide enough for the refrigerator to be moved through easily.

For optimal usage and ability to open refrigerator doors completely, do not install next to a wall.

Please note: The following dimension and cutout information is for planning purposes only. For complete installation details, consult manual packed with product, or download manual online at samsung.com.



Dimensions



Total Capacity: 28.2 cu. ft.

Refrigerator: 19.6 cu. ft.

- AutoFill Water Pitcher - automatically refills with filtered water
- Full-Width Drawer
- 5 Tempered Glass Spill-Proof Shelves
- 2 Humidity-Controlled Crispers
- 6 Door Bins
 - Right Door: 3 Gallon Bins
 - Left Door: 2 Gallon Bins, 1 Regular Bin
- Adjustable Shelves for Tall, Oversized Items
- High-Efficiency LED Lighting

Freezer: 8.6 cu. ft.

- EZ-Open Handle™
- 1 Large Opaque Bin with 1 Divider
- Auto Pull-Out Upper Drawer
- High-Efficiency LED Lighting

Accessories

Water Filter: HAF-QIN

Warranty

One (1) Year Parts and Labor on Refrigerator
Five (5) Years Parts and Labor on Sealed Refrigeration System Only*
Ten (10) Years Parts and Five (5) Years Labor on Digital Inverter Compressor

*Compressor, evaporator, condenser, drier and connecting tubing.

Product Dimensions & Weight

Dimensions (WxHxD with hinges, handles and doors):
35 3/4" x 70" x 35 3/8"

Dimensions (WxHxD without hinges and door):
35 3/4" x 68 7/8" x 28 7/8"

Dimensions (WxHxD with hinge and door, no handle):
35 3/4" x 70" x 32 7/8"

Weight: 278 lbs

Shipping Dimensions & Weight (WxHxD)

Dimensions: 37 23/32" x 75 5/16" x 35 29/32"

Weight: 287 lbs

Color

Fingerprint Resistant
Stainless Steel

Model

RF28T5021SR

UPC Code

887276429410

Fingerprint Resistant
Black Stainless Steel

RF28T5021SG

887276429403