

SAMSUNG

Product Guide

8311 Series Front Control Slide-In Electric Range

NE63T8311SS

NE63T8311SG

Available in: Fingerprint Resistant Stainless Steel
and Fingerprint Resistant Black Stainless Steel



Table of Contents

NE63T8311 - 6.3 cu. ft. Front Control Slide-in Electric Range with Convection

Product Overview

Product Overview 4

Carousel Image Order and Assets 5

Product Messaging

Core Messaging 7

Features and Benefits 8

Product Specs

Related Products and Accessories 13

Spec Sheet 14

User Manual 15

Feature Icons

17

Product Overview

NE63T831ISS – 6.3 cu. ft. Front Control Slide-in Electric Range with Convection

Product Overview

Product Title

6.3 cu. ft. Front Control Slide-in Electric Range with Convection

Product Description

The new Samsung Front Control Slide-in Electric Range with Convection is fully Wi-Fi connected and voice enabled, making it easy to create delicious meals for your family faster.

Available Colors



**Fingerprint Resistant
Stainless Steel**
NE63T8311SS



**Fingerprint Resistant
Black Stainless Steel**
NE63T8311SG



Carousel Image Order

Easy Ads links

Fingerprint Resistant Stainless Steel: <http://www.samsungeasyads.com/mm/nicePath/easyads?nav=pr658595069>
Fingerprint Resistant Black Stainless Steel: <http://www.samsungeasyads.com/mm/nicePath/easyads?nav=pr658595547>



Product Messaging

NE63T8311SS – 6.3 cu. ft. Front Control Slide-in Electric Range with Convection

Core Messaging

| Priority | Feature | Feature Headline | Short Copy | Long Copy | |
|--------------------|---------|------------------------------|-----------------------------------|---|--|
| Signature | 1 | Convection | Save Time with Convection | Cooks food fast and more evenly. | Powerful convection saves you time by cooking food fast and more evenly. Perfect for baking and roasting. |
| | 2 | Ready2Fit™ Guarantee | — | — | If your Samsung Front Control Slide-In Range doesn't fit your 30" Freestanding Range cutout, enjoy \$100* on us to cover any countertop modification costs. *Visit samsungpromotions.com/SlideInReady2Fit for details. |
| | 3 | Fingerprint Resistant Finish | All Shine | Fingerprint resistant, beautiful finish. | Fingerprint resistant, for an everyday beautiful finish. |
| Secondary Features | 4 | Flexible Cooktop | Flexible in Every Way | Get to high heat quickly for searing meat or boiling water, or turn down to a simmer to make your favorite sauces. | Get to high heat quickly for searing meat or boiling water, or turn down to a simmer to make your favorite sauces. Has 5 heating elements, including 2 dual ring elements, so you can cook with multiple sized pots and pans. |
| | 5 | Large Oven Capacity | Cook Enough for the Whole Crew | This large 6.3 cu. ft. oven fits multiple meals at one time. | This large 6.3 cu. ft. oven fits multiple meals at one time, or it can easily accommodate big casserole dishes or roasting pans. |
| | 6 | Wi-Fi Connectivity | Cook Smart, Save Time | Preheat, monitor and adjust cook time and temperature of your oven through the SmartThings™ App.* *Available on Android and iOS devices. A Wi-Fi connection and a Samsung account are required." | Preheat, monitor and adjust cook time and temperature of your oven, right from your smartphone through the SmartThings™ App.* *Available on Android and iOS devices. A Wi-Fi connection and a Samsung account are required." |
| | 7 | Voice-Enabled | "Preheat the Oven to 350° Please" | Control your oven by voice by using your favorite voice assistant, whether it's Bixby, Alexa or Google.* *A Wi-Fi connection and a Samsung account are required. Bixby is Samsung's brand of artificial intelligence (AI) / Internet of Things (IoT) voice assistant. Voice commands are available on Android and iOS devices. | Control your oven by voice when you're busy doing other things by using your favorite virtual assistant, whether it's Bixby, Alexa or Google.* *A Wi-Fi connection and a Samsung account are required. Bixby is Samsung's brand of artificial intelligence (AI) / Internet of Things (IoT) voice assistant. Voice commands are available on Android and iOS devices." |
| | 8 | Glass Touch Controls | Easy to Clean | Touch Controls offer a premium design that is easy to use and clean. | Glass Touch Controls offer a premium design that is easy to use and clean. |
| | 9 | Self & Steam Clean | Does The Hard Work For You | Get help from your oven with Self & Steam Clean. | Get help from your oven with Self & Steam Clean. The self cleaning system deep cleans by heating to a high temperature to burn off grease and food residue. Steam clean in 20 minutes for easier cleaning jobs. |
| | 10 | Hidden Bake Element | Cleaning Is Seamless | Makes cleaning your oven easy with a seamless interior. | The bake element is hidden under the ceramic enamel surface at the bottom of the oven. This provides a seamless cavity that makes cleaning easy. |

Features and Benefits



Convection

Powerful convection saves you time by cooking food fast and more evenly. Perfect for baking and roasting.



Ready2Fit™ Guarantee

If your Samsung Front Control Slide-In Range doesn't fit your 30" Freestanding Range cutout, enjoy \$100* on us to cover any countertop modification costs.

*Visit samsungpromotions.com/SlideInReady2Fit for details."



Fingerprint Resistant Finish

Fingerprint resistant, for an everyday beautiful finish.

Ensure asset used is accurate to the correct model finish color.

Easy Ads links

Fingerprint Resistant Stainless Steel: <http://www.samsungeasyads.com/mm/nicePath/easyads?nav=pr658595070>

Features and Benefits (continued)



Flexible Cooktop

Get to high heat quickly for searing meat or boiling water, or turn down to a simmer to make your favorite sauces. Has 5 heating elements, including 2 dual ring elements, so you can cook with multiple sized pots and pans.



Large Capacity

This large 6.3 cu. ft. oven fits multiple meals at one time, or it can easily accommodate big casserole dishes or roasting pans.



Wi-Fi Connectivity

Preheat, monitor and adjust cook time and temperature of your oven, right from your smartphone through the SmartThings™ App.*

*Available on Android and iOS devices. A Wi-Fi connection and a Samsung account are required.

Easy Ads links

Fingerprint Resistant Stainless Steel: <http://www.samsungeasyads.com/mm/nicePath/easyads?nav=pr658595070>

Features and Benefits (continued)



Voice-Enabled

Control your oven by voice when you're busy doing other things by using your favorite virtual assistant, whether it's Bixby, Alexa or Google.*

*A Wi-Fi connection and a Samsung account are required. Bixby is Samsung's brand of artificial intelligence (AI) / Internet of Things (IoT) voice assistant. Voice commands are available on Android and iOS devices."



Glass Touch Controls

Glass Touch Controls offer a premium design that is easy to use and clean.



Self & Steam Clean

Get help from your oven with Self & Steam Clean. The self cleaning system deep cleans by heating to a high temperature to burn off grease and food residue. Steam clean in 20 minutes for easier cleaning jobs.

Easy Ads links

Fingerprint Resistant Stainless Steel: <http://www.samsungeasyads.com/mm/nicePath/easyads?nav=pr658595070>

Features and Benefits (continued)



Hidden Bake Element

The bake element is hidden under the ceramic enamel surface at the bottom of the oven. This provides a seamless cavity that makes cleaning easy.

Easy Ads links

Fingerprint Resistant Stainless Steel: <http://www.samsungeasyads.com/mm/nicePath/easyads?nav=pr658595070>

Product Specs

NE63T8311SS – 6.3 cu. ft. Front Control Slide-in Electric Range with Convection

Related Products

| SKU | Type | Color(s) |
|-----------------------|--------------------------|----------------|
| NE63T8311SS/AA | Over-The-Range Microwave | ME21R7051SS/AA |
| | Over-The-Range Microwave | ME19R7041FS/AA |
| | Dishwasher | DW80R5061US/AA |
| | Refrigerator | RF27T5201SR/AA |
| NE63T8311SG/AA | Over-The-Range Microwave | ME21R7051SG/AA |
| | Over-The-Range Microwave | ME19R7041FG/AA |
| | Dishwasher | DW80R5061UG/AA |
| | Refrigerator | RF27T5201SG/AA |

Accessories

| SKU | Description | Color(s) |
|----------------|--|---|
| NX-AB5900RS/AA | 9" backguard for 30" slide-in range | Stainless Steel |
| NX-AB5400RS/AA | 4" backguard for 30" slide-in range | |
| NX-AF5000RS/AA | Trim kit for 30" slide-in range, 5 piece | |
| NX-AB5900RB/AA | 9" backguard for 30" slide-in range | Black (pairs with Black Stainless Steel) |
| NX-AB5400RB/AA | 4" backguard for 30" slide-in range | |
| NX-AF5000RM/AA | Trim kit for 30" slide-in range, 5 piece | Black Stainless Steel (pairs with Black Stainless Steel) |

Spec Sheet


Easy Ads link

<http://www.samsungeasyads.com/mm/nicePath/easyads?nav=pr658594994>

NE63T8311SS

Samsung Front Control Slide-in Electric Range with Convection

6.3 cu. ft. Capacity



Signature Features

Convection

- Powerful convection saves you time by cooking food fast and more evenly. Perfect for baking and roasting.

Ready2Fit™ Guarantee

- If your Samsung Front Control Slide-In Range doesn't fit your 30" Freestanding Range cutout, enjoy \$100* on us to cover any countertop modification costs.

*Visit samsungpromotions.com/SlideInReady2Fit for details.


Fingerprint Resistant Finish

- Fingerprint resistant, for an everyday beautiful finish.


SAMSUNG

Available Colors

- Fingerprint Resistant Stainless Steel (shown)
- Fingerprint Resistant Black Stainless Steel



Convection








Ready2Fit™ Guarantee

Features

- Convection
- Ready2Fit™ Guarantee
- Fingerprint Resistant Finish
- Large Oven Capacity – 6.3 cu. ft.
- Glass Touch Controls
- Storage Drawer

Convenience

- Self & Steam Clean
- Hidden Bake Element
- Convection Auto Conversion
- Wi-Fi Connectivity
- Voice-Enabled
- Child Safety Lock
- Delay Start
- Auto Oven Light
- Kitchen Timer
- Sabbath Mode

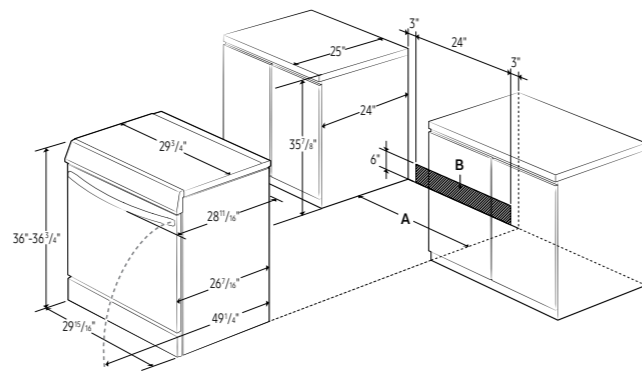






NE63T8311SS

Samsung Front Control Slide-in Electric Range with Convection

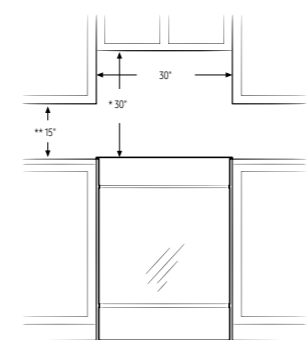
6.3 cu. ft. Capacity

Installation Specifications



A: Cabinet opening min 30"
B: Acceptable electrical outlet area

IMPORTANT: If your cabinets are over 36 1/4" high, you must install this range on a hard, heat resistant support that raises the surface of the range so that it is about even with the countertop.



* 30" minimum clearance between the top of the cooking surface and the bottom of an unprotected wood or metal cabinet; or 24" minimum when the bottom of the wood or metal cabinet is protected by not less than 1/4" of flame retardant millboard covered with not less than no.28 MSG sheet steel, 0.015" stainless steel, 0.024" aluminum, or 0.020" copper.

**15" minimum between the countertop and the adjacent cabinet bottom.

IMPORTANT: Consult with Installation Manual for detailed instructions before installing. All ranges must be installed with the Anti-Tip device that is included.

SAMSUNG

Power Source
240V/208V/60 Hz/40A

Electric Ceramic Cooktop

- Right Front: 9"/12" Dual Element, 3000 W
- Left Front: 6"/9" Dual Element, 3000 W
- Right Rear: 6", 1200 W
- Left Rear: 6", 1200 W
- Center: 7" Warming Center

Oven

- Capacity: 6.3 cu. ft.
- Convection Element/Heater
- Convection Bake
- Convection Roast
- Bake
- Variable Broil: Low/High
- Dehydrate
- Breadproof

Warranty
One (1) Year Parts and Labor

Product Dimensions & Weight (WxHxD)
Oven Interior Dimensions:
24 13/16" x 22 1/16" x 19 1/4"



Outside Net Dimensions:
29 9/16" x 36-36 1/2" (Adjustable) x 28 11/16"

Weight: 170 lbs

Shipping Dimensions & Weight (WxHxD)
Dimensions:
33 1/16" x 41 1/2" x 30 5/16"

Weight: 193 lbs

| Color | Model # | UPC Code |
|---|-------------|--------------|
| Fingerprint Resistant Stainless Steel | NE63T8311SS | 887276409023 |
| Fingerprint Resistant Black Stainless Steel | NE63T8311SG | 887276409016 |

Actual color may vary. Design, specifications, and color availability are subject to change without notice. Non-metric weights and measurements are approximate.
©2020 Samsung Electronics America, Inc. 85 Challenger Road, Ridgefield Park, NJ 07060. Tel: 800-SAMSUNG, samsung.com. Samsung is a registered trademark of Samsung Electronics Co. Ltd.

Spec Sheet - front

Spec Sheet - back

User Manual

Easy Ads link

<http://www.samsungeasyads.com/mm/nicePath/easyads?nav=pr658594994>

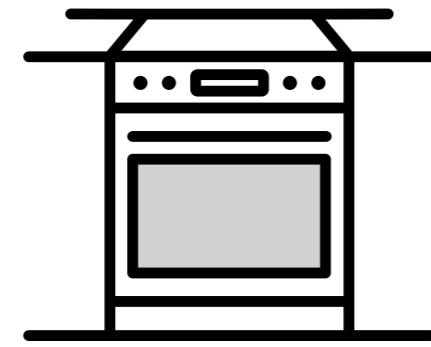


User Manual

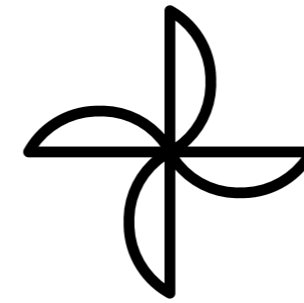
Feature Icons

NE63T8311SS – 6.3 cu. ft. Front Control Slide-in Electric Range with Convection

Feature Icons



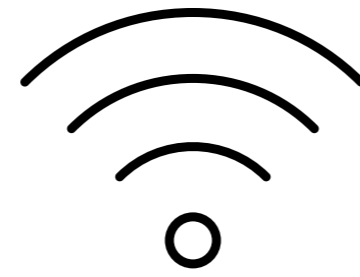
Slide-In Design



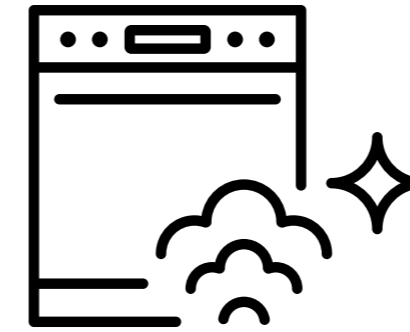
Convection



Fingerprint Resistant Finish



Wi-Fi Connectivity



Self + Steam Clean

SAMSUNG