

INSTALLATION and USE & CARE



BLUESTAR[®]

Unleash Your Inner Chef[®]

WALL HOODS

PL, PY, IN, PM, HA, BZ, MH, WR, SC



Please take a few moments now to fill in the information below for your future reference. In the event you require parts or service, this information will be needed to ensure you receive the highest quality service we can provide.

DATE OF PURCHASE:

DEALER'S NAME:

DEALER'S ADDRESS:

DATE OF INSTALLATION:

INSTALLER'S NAME:

INSTALLER'S ADDRESS:

MODEL NUMBER:

SERIAL NUMBER:

Table of Contents

INSTALLATION INSTRUCTIONS:

- 5 Handling and Unpacking
- 7 Installation of Ducting & Electrical Specifications
- 8 Removing Liner from Shell | Mounting Shell to Wall
- 9 Installing In-Hood Blowers
- 10 Installing Remote Blowers
- 12 Installing In-Line Blowers
- 14 Installing Wall Hood Duct Covers
- 16 Installing Manhattan Series Ventilation Hoods

USE AND CARE INSTRUCTIONS:

- 17 Operating the Push Button Controls
- 18 Cleaning Instructions

INSTALLATION INSTRUCTIONS

IMPORTANT

1. This appliance was designed for ease of installation and operation. However, we recommend that you read all sections of this manual before you begin installation.
2. Do not remove permanently affixed labels, warnings or data plates from your appliance. This may void the manufacturer's warranty and/or hinder effective servicing and maintenance. These instructions are to remain with the appliance and the consumer is to retain them for future reference.
3. Please observe all local and national build codes and ordinances. If no local codes are applicable, please follow all wiring requirements in accordance with the national electrical code, ANSI/NFPA 70 edition.
4. Please check with a qualified and trained installer or your local codes for any make-up air requirements.
5. This hood is for residential use only and is not designed for installation over a commercial product.
6. Make sure all power is turned off at the breaker or fuse box before making any connections.
7. To avoid risk of fire, electric shock, or injury to persons, turn off the electricity to the hood from the power supply before cleaning or servicing.

WARNING

To reduce the risk of fire, electric shock or injury to persons observe the following:

- Use this unit in the manner intended by the manufacturer. If you have any questions contact customer service at (800) 449 – 8691 Monday through Friday from 9am – 5pm EST.
- Before cleaning or servicing unit, switch power off to the unit at the service panel and lock out the service panel. If the service panel cannot be locked out, please affix a warning device prominently, such as a tag, to the service panel.
- Installation work and electrical work must be performed by qualified individuals in accordance with all applicable codes and standards, including fire rated construction.
- Do not damage any existing electrical or hidden utilities when drilling, cutting and/or removing a wall, ceiling or floor.
- Sufficient air is required to properly exhaust gases through the flue of natural and liquid propane fueled cooking equipment to avoid any backdrafting.
- Ducted fans must always vent outdoors.
- Use only metal ductwork. Do not use flexible or corrugated duct.
- Follow all local and national codes and standards for proper air requirements.
- Never vent ducted exhaust air into another room or garage. To reduce the risk of fire and properly vent exhaust air duct must vent outdoors.



INSTALLATION INSTRUCTIONS



To reduce the risk of cooking appliance grease fire:

- Never leave the appliance unattended during use. Boil overs may occur causing spills which may ignite.
- It is recommended you purchase a multi-purpose dry chemical or foam type fire extinguisher for your home and store it in close proximity to your appliances.
- If a fire should occur do not turn on hood to evacuate smoke. Turn off hood.

IMPORTANT

This product is for general residential ventilation applications. Do not use to exhaust hazardous, flammable or explosive materials. Clean baffle filters often since accumulated grease can be a fire hazard and effect the performance of your ventilation hood. Always turn on ventilation hood when operating your cooking equipment.

Handling and Unpacking

IMPORTANT

Any damage must be reporting before installing the hood. Once the hood has been installed no return will be accepted. Report any damage to your dealer immediately.

Handling:

- Remove all watches, belt buckles, jewelry, rings and any clothing with metal buttons or snaps to prevent damage to the hood.
- When you begin the installation process remove the hood from its original packaging and place on a clean, non-abrasive blanket.
- Inspect the hood carefully for any damage or imperfections before you begin installation. If any damage or imperfections exist, repack the hood and call your dealer immediately. Do not install damaged hood. It is highly recommended that rubber gloves be worn to prevent scratches on hood and to provide a firm grip.
- When removing the hood from the carton locate the filters since they could be packed separately.
- Do not remove the hood from original packaging until you are ready to install.

INSTALLATION INSTRUCTIONS

Unpacking:

- Check the package for damage. If any damage is visible you should mark the bill of lading you sign that there may be concealed damage.
- Ensure the container is upright. If the container is not upright major damage can occur to your appliance. If damage is discovered do not refuse delivery. Contact the dealer and file appropriate freight claims. Save all packaging material. Do not contact the manufacturer since your appliance was shipped from the dealer you purchased it from. Shipping damage claims are to be resolved between the customer, shipping carrier and dealer. The manufacturer may assist in resolving such claims, but such assistance does not relieve you of your responsibility.
- Move the container as close to its installation location as possible. This will reduce moving and handling your appliance once it is out of its shipping container.
- Do not discard packaging without first locating the filters as they may be packed separately.
- Inspect all packaging before discarding.

CAUTION

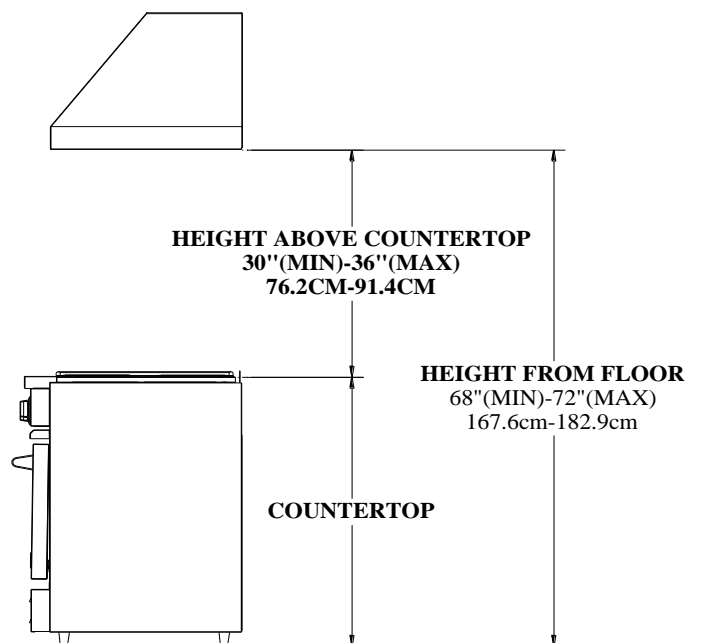
To reduce the risk of fire and electric shock, install this ventilation unit only with remote blowers models rated maximum 8.4 amps or integral blowers manufactured by EBM, Model D2E146-HT65-14.

Your ventilation hood is designed to work specifically with the integral or remote blower requested. Hood has been evaluated for safety using the blowers listed. Use other blowers at your own risk.

Site Preparation: Selecting the Appropriate Height for Installation

In selecting the proper height to mount the hood, take into consideration the stature of the person or persons who will be cooking. A minimum height of 30" off of the cooking surface to a maximum height of 36" will suit most users. It is recommended but not required that the hood be 6" wider than the cooking appliance to provide a proper capture area for heat and grease.

The bottom of the hood should be 30" minimum to 36" maximum above the countertop. This would typically result in the bottom of the hood being 66" – 72" above the floor. The bottom of the hood should never be more than 72" above the floor or more than 36" above the countertop. These dimensions provide safe and efficient operation of the hood.



INSTALLATION INSTRUCTIONS

Installation of Ducting for Proper Operation:

IMPORTANT

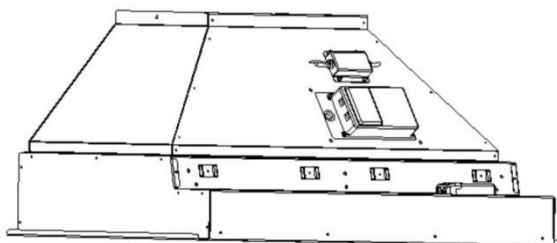
Proper installation of ducting is extremely important for optimal performance of your ventilation system. It is a basic requirement that the kitchen is provided with an air intake to ensure good air circulation and therefore proper operation of the hood. Without this incoming air a depression could form that would reduce the efficiency of the ventilation system. All CFMS are based on tests at 0.1 static pressure. Without static pressure all CFM's would be overstated.

- Consult with local codes for make-up air requirements
- Never reduce the duct size
- If ducts are combined the square inch area must reflect the total square inch area of the ducts being combined.
- Do not use flexible or corrugated duct. This type of duct will reflect airflow and reduce performance.
- Only use smooth, galvanized metal duct.
- Make the duct run as short and as straight as possible with as few turns as possible.
- Avoid sharp-angled turns. Use smooth gradual turns such as adjustable elbows or 45 degree angled turns.
- For duct runs over 20 feet increase the duct diameter by one inch for every ten feet of duct.
- Airflow must not be restricted at the end of the duct run.
- Damper is not provided. This must be included in duct run to prevent back drafts.
- Do not terminate venting into an attic or chimney.

Electrical Specifications:

IMPORTANT

This hood is designed to be plugged into a 3-prong ANSI or Non-GFCI outlet – 120Volt, 10amp. Ensure the outlet is not obstructed by the duct run prior to installation.



To connect power to in-hood blowers insert molex connector(s) into the opening located on the side of blower motor.

Ventilation Hood Mounting Instructions:

Step 1: Read all instructions thoroughly before beginning installation. If a duct cover is being used please proceed to page 13. For instructions on installing Manhattan style wall hoods proceed to page 15.

INSTALLATION INSTRUCTIONS

Step 2: Remove ventilation hood liner from outer shell. (Figures A through F)

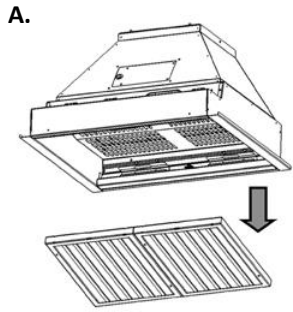


Figure A:
Remove Baffle Filters
Pull filters towards you to disengage from liner.

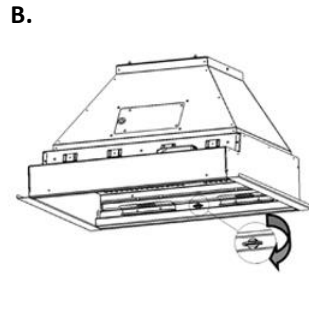


Figure B:
Remove Grease Trough
Turn fastening screw(s) ¼ turn to unlock.

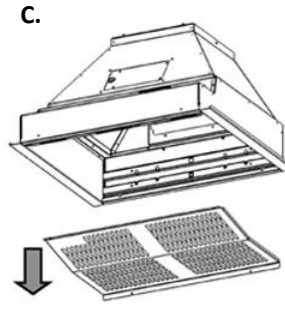


Figure C:
Remove Inner Shield
Remove screws (front and back) attaching shield to ventilation hood liner.
(Inner shield not on all models)

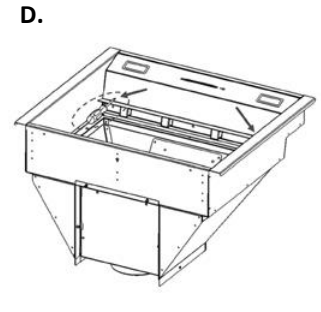


Figure D:
Remove Control Panel
Remove screws (front and back) attaching panel to ventilation hood liner.

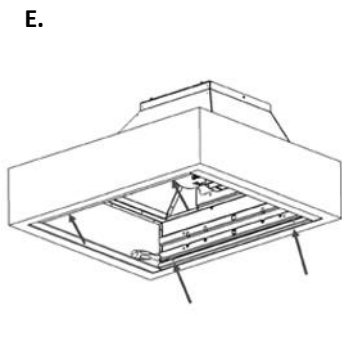


Figure E: Remove Mounting Screws
Remove screws in front and back of liner that attach it to the outer shell

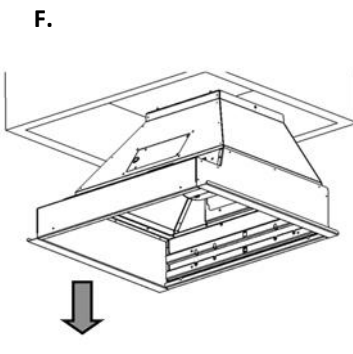


Figure F: Remove Liner from Shell
Carefully slide liner out of outer shell.
Remove all protective film from exterior of liner and baffle filters. To completely remove the film from the filters the knobs will need to be removed by turning them counter-clockwise.

Step 3: Mount Outer Shell to Wall

1. The bottom of the hood should be 30" minimum to 36" maximum above the countertop for efficient operation.
2. This hood is designed to be plugged into a 3-prong Non-GFCI outlet – 120Volt, 10 amp. Ensure the outlet is not obstructed by the duct run prior to installation.
3. If a duct cover is being used proceed to page 13 to determine which installation process will work best for your application. If no duct cover is being used proceed to Step 4.
4. Anchor hood to wall with appropriate shear strength for weight of hood being installed (hardware not included). A number of holes are provided on the back of the shell but they do not need to be used. Additional holes can be drilled if needed to assist in mounting.

INSTALLATION INSTRUCTIONS

Step 4-1: Installing In-hood 600 CFM Blowers

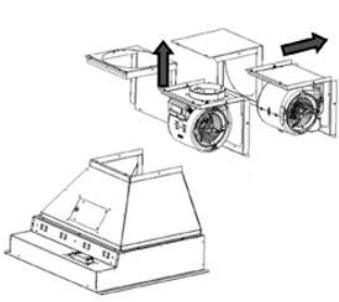


Figure A:

Attach Blower

Unscrew blower plate and set to top or rear discharge. Screw blower to plate with included hardware

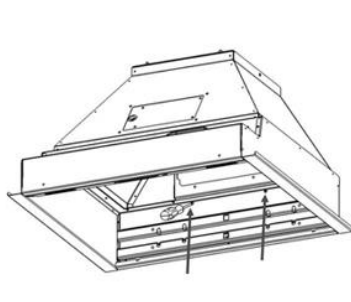


Figure B:

Connect Plate Internally

Re-install all mounting screws inside of liner.

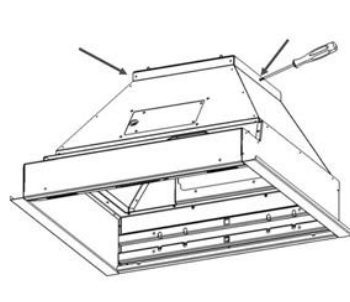


Figure C:

Connect Plate Externally

Re-install all mounting screws outside of liner.

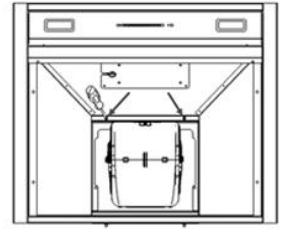


Figure D:

Connect Power Supply

Connect molex connector from control box to blower.

Step 4-2: Installing In-hood 1200 CFM Blowers

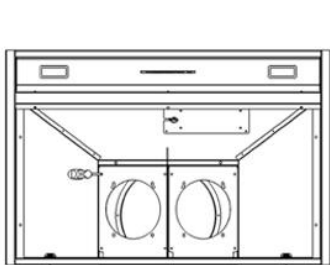


Figure A:

Attach Blower Plate

Unscrew blower plate and set to top or rear discharge.

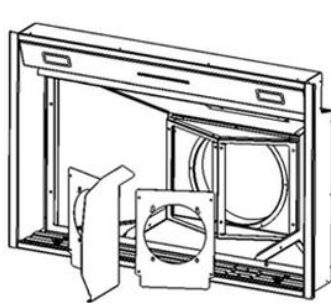


Figure B:

Connect Inner Plate

Screw inner plate with air divider onto base plate.

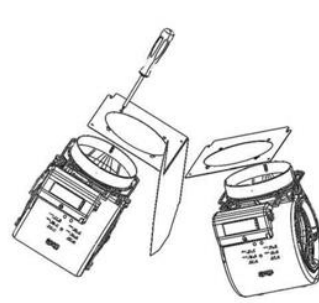


Figure C:

Connect Blowers

Install dual 600 CFM blowers onto hood with included hardware. Connect molex connectors to blowers.

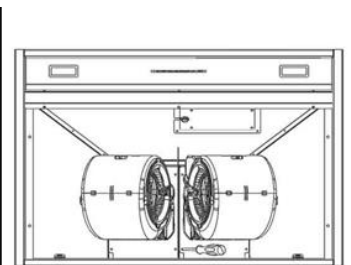


Figure D:

Install Blowers in Hood

Screw each blower to the plate within the liner with hardware provided.

INSTALLATION INSTRUCTIONS

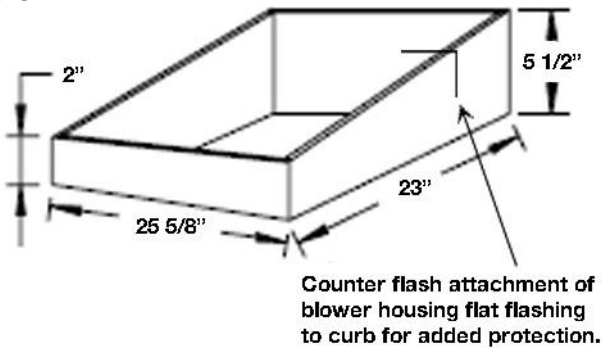
Step 4-3. Installing Remote Blowers

MODEL NUMBER:	HYEX-1.0/HY-EX-1.4
MAXIMUM CFM:	1000 CFM/1400 CFM
VOLTS/HERTZ/AMPS:	115VAC, 60 Hz, 2.9A (HYEX-1.0) and 3.3A (HYEX-1.4)
REQUIRED DUCT SIZE:	HYEX-1.0: 8" Round (51 sq. in. equiv.) / HYEX-1.4: 10" Round (80 sq. in. equiv.)

FLAT OR LOW SLOPE ROOF

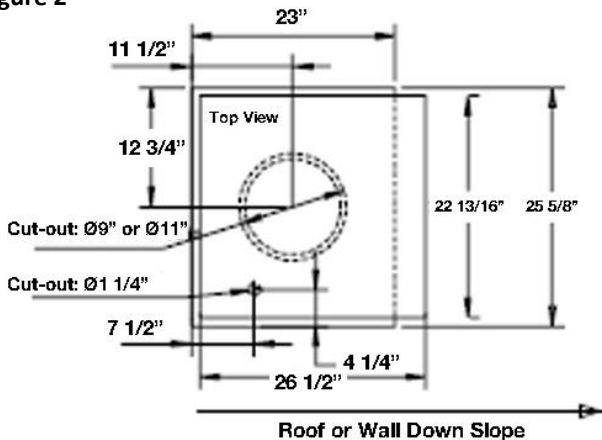
- For flat roofs or roofs having pitch less than 1 1/2" rise in 12", mount blower on roof curb. See Figure 1

Figure 1

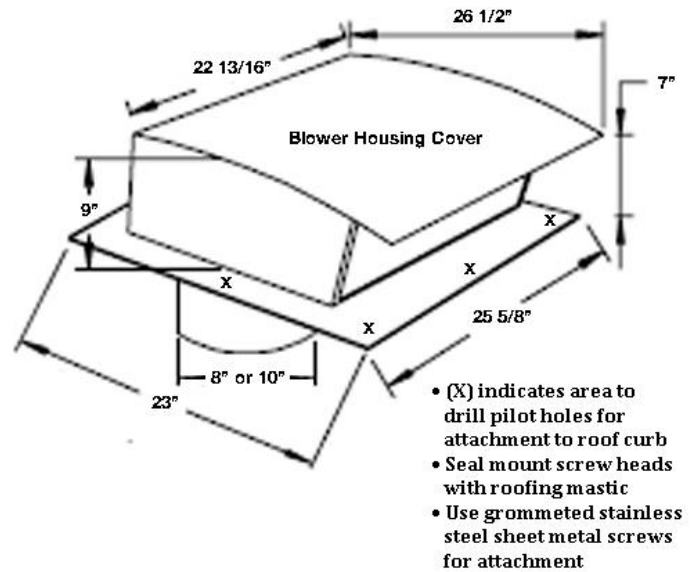


- Install the blower with discharge pointing down slope and away from prevailing winds.
- Use flashing and roofing mastic to seal the unit to prevent leaks.
- Cut holes for ducting and electrical wiring as shown in Figure 2.

Figure 2



IMPORTANT: Remove foam block from inside housing before operating



TYPICAL ROOF MOUNT

- Center the duct cutout between roof rafters
- Install the blower so its discharge is down slope and away from prevailing winds. According to the Standard Roofing Procedures: Shingles must cover rear flashing flange and a minimum of 12" of the side flanges. The flashing on the discharge side of the blower must rest on top of the shingles.
- The blower must be sealed between the roof and its underside with quality roofing mastic.

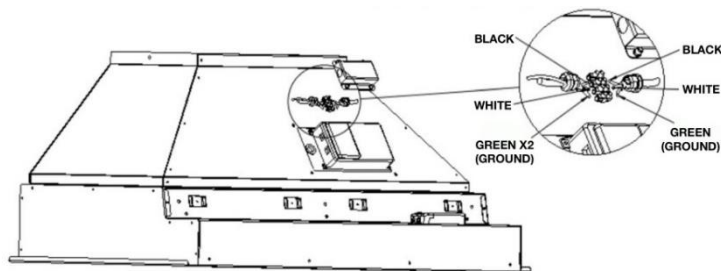
INSTALLATION INSTRUCTIONS

Step 4-3. Installing Remote Blowers

ELECTRICAL CONNECTIONS

WARNING: TURN OFF POWER AT THE SERVICE BOX PRIOR TO WIRING BLOWER

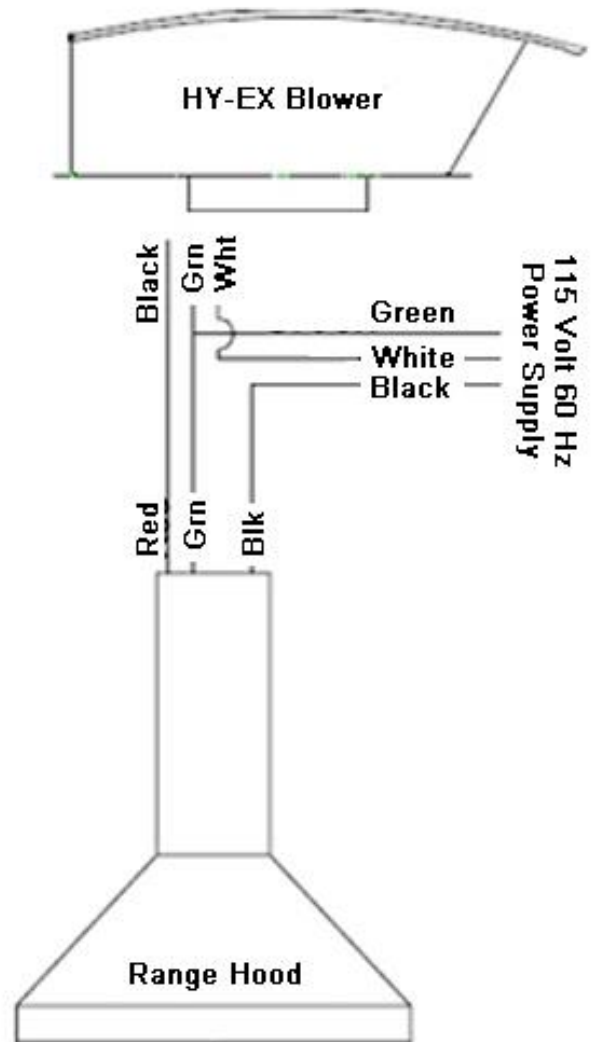
1. Power supply for the blower is 115V AC, 60 Hz. See page 2 for specifications
2. Run electrical cable between the blower and the range hood or blower and wall switch. See Figure 3
3. Remove top enclosure of the blower for access to the wiring terminal block.
4. Push the electrical cable up through the bottom knock out of the blower body. Pull enough wire up into the housing to make attachment to the terminal block.
5. Connect white, black and green wire to three terminal block on hood.



DUCT CONNECTIONS

1. Use only round metal duct, elbows and transitions; or rectangular ducting having equivalent area of square inches as per required duct size.
2. Tape or use joint sealant on all joints.
3. Turn on power and check blower operation.
4. Make sure damper opens and closes freely.

Figure 3



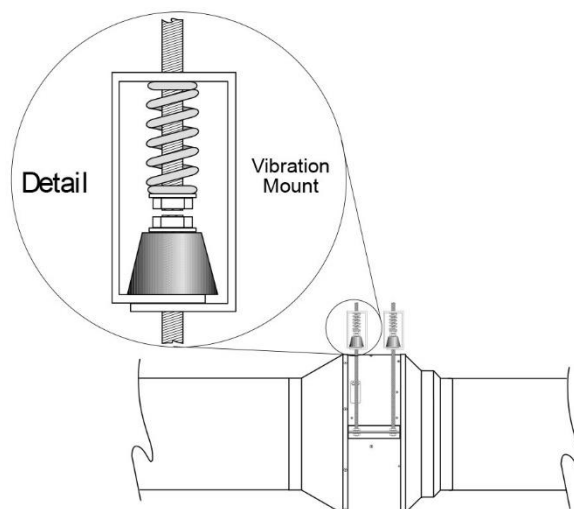
INSTALLATION INSTRUCTIONS

Step 4-4. Installing In-line Blowers

Mounting Option 1:

Please follow all applicable codes when installing this unit.

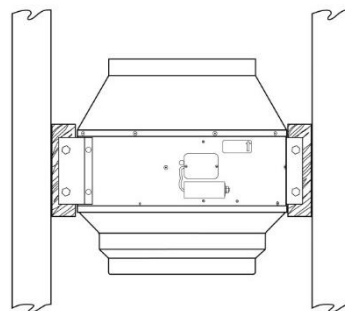
1. Equipment should be hung at its proper elevation by using temporary fixtures that can be removed after vibration hangers are installed.
2. Hanger may be fastened directly to the structure or somewhere between suspended unit (be sure not to over tighten the neoprene element).
3. Install hangers.
4. Turn nuts on rod assembly clockwise one complete turn on each hanger. Repeat this procedure until temporary hanging fixtures are loose and load of piping or equipment is suspended completely on the vibration hangers.
5. Remove temporary hanger fixtures and level piping or equipment by taking additional turns on the spring/top hanger rod nut – clockwise to raise, counterclockwise to lower as required.
6. If equipping fan with isolators, they should be attached at this time.
7. See wiring section to complete installation.



Mounting Option 2:

Please follow all applicable codes when installing this unit.

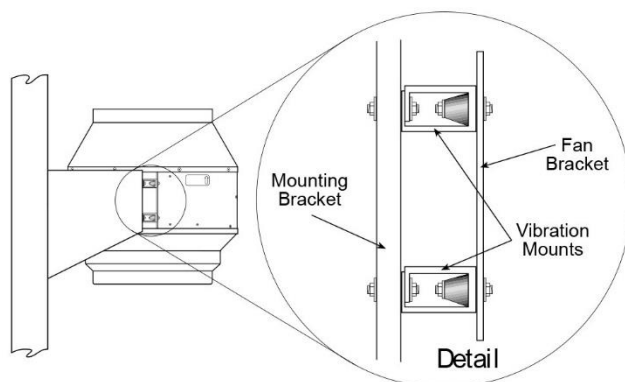
1. Install wood supports to structure for fan mounting.
2. If equipping with vibration mounts, attach to supports.
3. Attach fan to vibration mounts (be sure not to overtighten the neoprene element).
4. If equipping fan with isolators, they should be attached at this time.
5. See wiring section to complete installation.



Mounting Option 3:

Please follow all applicable codes when installing this unit.

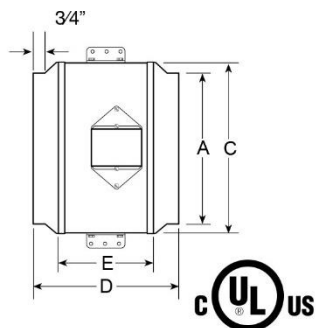
1. Create/install angle wood supports to structure for fan mounting.
2. If equipping with vibration mounts, attach to supports.
3. Attach fan to vibration mounts (be sure not to overtighten the neoprene element).
4. If equipping fan with isolators, they should be attached at this time.
5. See wiring section to complete installation.



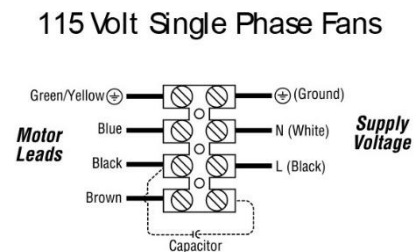
INSTALLATION INSTRUCTIONS

Step 4-4. Installing In-line Blowers

Dimensions and Wiring:



Model	A	C	D	E	Weight
ATEX-0.8	8	12 ½	15 ½	7	19 lbs
ATEX-1.2	10	14	15	8	21 lbs



Step 5. Mount Outer Shell to Wall

1. The bottom of the hood should be 30" minimum to 36" maximum above the countertop for efficient operation.
2. This hood is designed to be plugged into a 3-prong Non-GFCI outlet – 120Volt, 10 amp. Ensure the outlet is not obstructed by the duct run prior to installation.
3. If duct cover is being used mount duct cover mounting brackets to top of hood through holes provided. If no duct cover is being used proceed to Step 5.
4. Anchor hood to wall with appropriate shear strength for weight of hood being installed (hardware not included). A number of holes are provided on the back of the shell but they do not need to be used. Additional holes can be drilled if needed to assist in mounting.
5. If duct cover is being used anchor bracket to wall or ceiling (top) and wall (bottom). Do not install duct cover at this time.

Step 6. Re-install Liner into Outer Shell

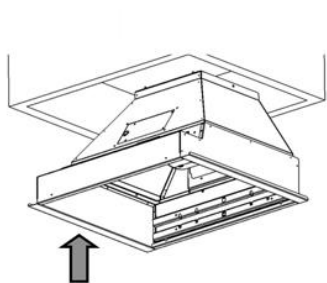


Figure A:
Lift Liner into Shell

Carefully re-install liner to avoid scratches or damage.

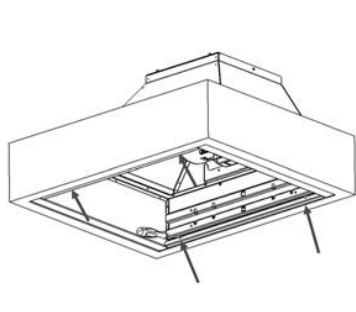


Figure B:
Attach Liner to Shell

Re-install with hardware that mounted liner to shell during shipment.

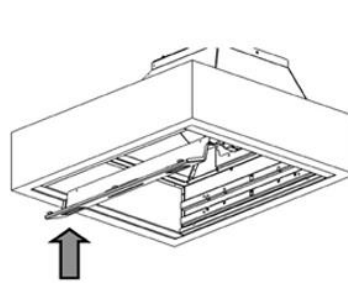


Figure C:
Re-install Control Panel

screws (front and back) attaching panel to ventilation hood liner.

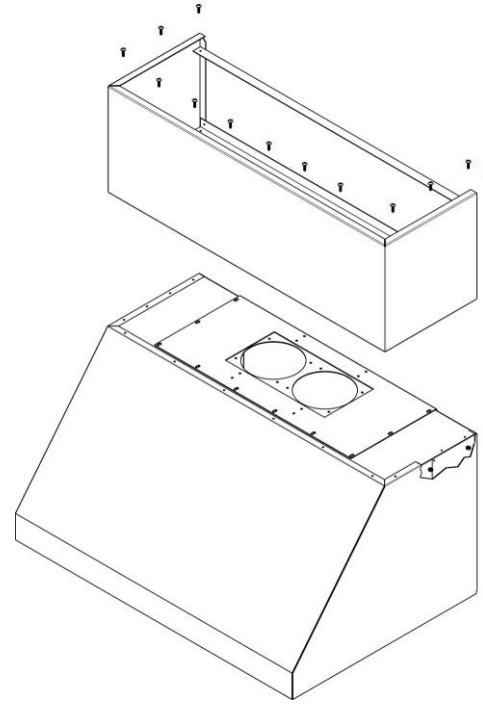
Step 7. Connect Ducting to Ventilation Hood

Install ducting around starter collar on top or rear of hood and seal according to building code regulations.

INSTALLATION INSTRUCTIONS: 1-PIECE DUCT COVERS

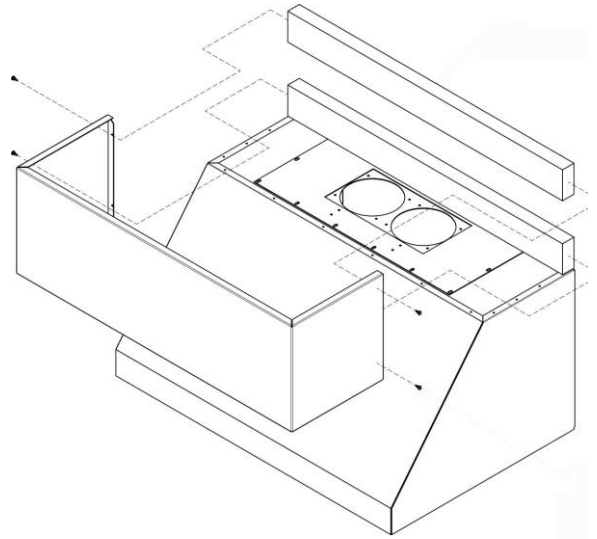
Step 8-1. Installing 1-Piece Duct Cover Option 1

1. Secure duct cover to top of hood using machine screws provided.
2. Mount complete unit to wall using instructions in Step 4 for Mounting Outer Shell to Wall.
3. Install blower plate into hood sealing connection with duct work.
4. Install blowers into hood.



Step 8-2. Installing 1-Piece Duct Cover Option 2

1. Mount unit to wall using instructions in Step 4 for Mounting Outer Shell to Wall
2. Secure wood blocks (not provided) on wall surface above hood.
3. Position duct cover around blocks and secure with screws on the top and bottom of each side.
4. Install blower plate into hood sealing connection with duct work.
5. Install blowers into hood.



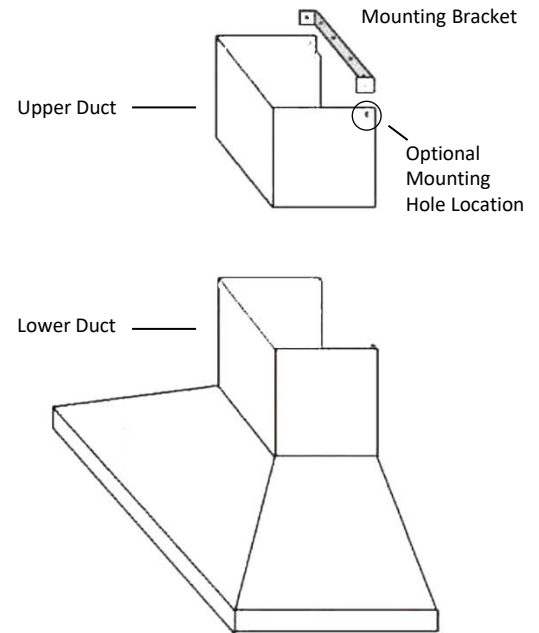
INSTALLATION INSTRUCTIONS: TELESCOPIC DUCT COVERS

Step 8.3 Installing Telescopic Duct Cover Option 1

1. Attach mounting bracket to wall 1/8" from ceiling and centered with hood.
2. Attach lower portion of duct cover to hood with hardware provided.
3. Slide upper portion into lower portion of duct cover.
4. Anchor and level hood assembly to wall at desired mounting height.
5. Install liner into shell following instructions in Step 6 on page 12.
6. Slide starter collar into ducting on top or rear of hood and seal according to building code regulations.
7. Slide upper portion of duct into mounting bracket and click into place.

(Duct cover should sit flush to ceiling, but gap could occur if wall and ceiling are not square)

Optional: Install screw through side of upper portion into mounting bracket on both sides. Hole to be provided by others. **For painted units damage could occur to painted surface from drilling**



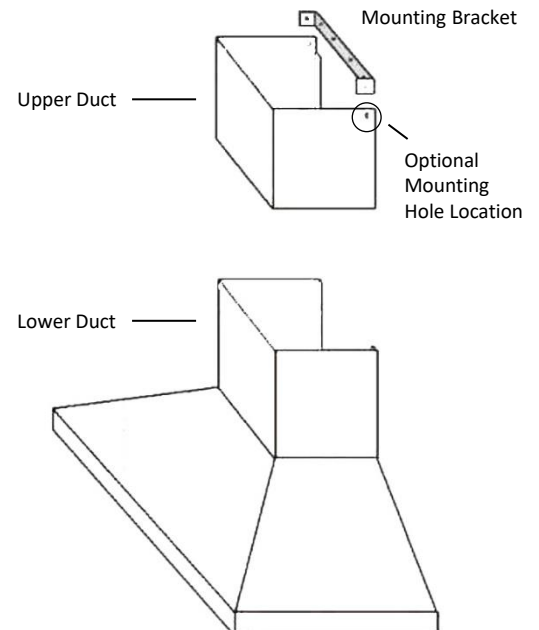
Step 8-4. Installing Telescopic Duct Cover Option 2

1. Attach mounting bracket to wall 1/8" from ceiling and centered with hood.
2. Attach lower portion of duct cover to hood with hardware provided.
3. Slide upper portion onto bracket and click into place.

(Duct cover should sit flush to ceiling, but gap could occur if wall and ceiling are not square)

4. Slide hood shell and attached lower portion over upper portion and anchor to wall.

Optional: Install screw through side of upper portion into mounting bracket on both sides. Hole to be provided by others. **For painted units damage could occur to painted surface from drilling**



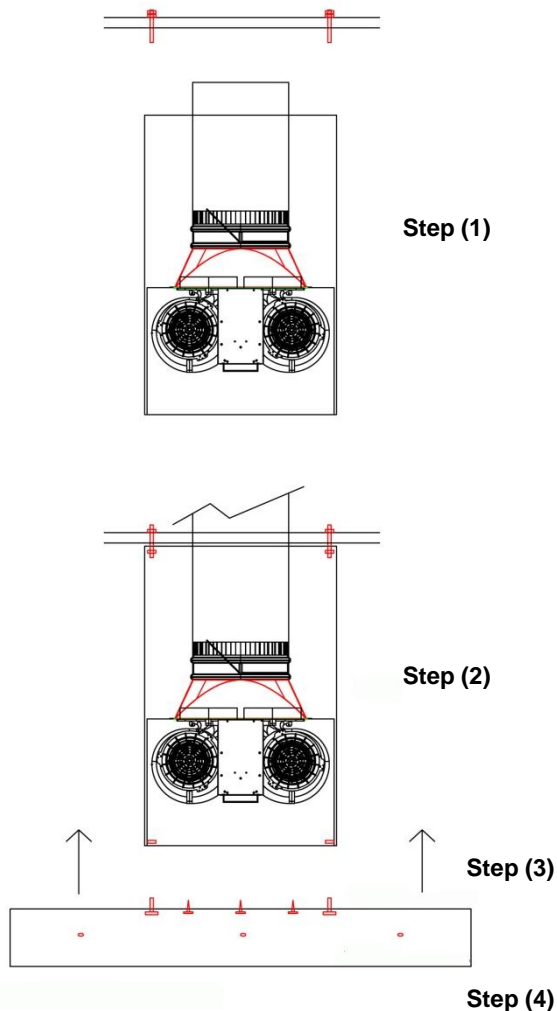
INSTALLATION INSTRUCTIONS

Manhattan Style Wall Hoods

1. Follow Step 2 of installation instructions on removing liner from outer shell.
2. Mount duct to ceiling using method below that best applies to your application.
3. Mount blower(s) into duct cover using hardware provided.
4. Anchor outer shell to wall and level.
5. Secure outer shell to duct cover using method below that best applies to your application.
6. Connect molex connectors for blower power and re-install liner using Step 5 from installation instructions.

Manhattan Hood & Duct Installation

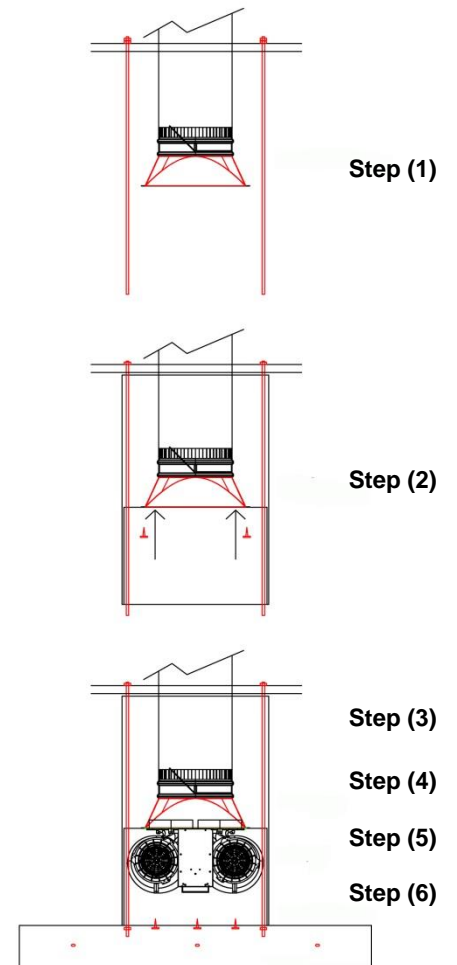
(With Ceiling Access)



1. Install duct work on duct cover.
2. Install duct cover.
3. Attach hood on duct cover.
4. Anchor hood to wall

Manhattan Hood & Duct Installation

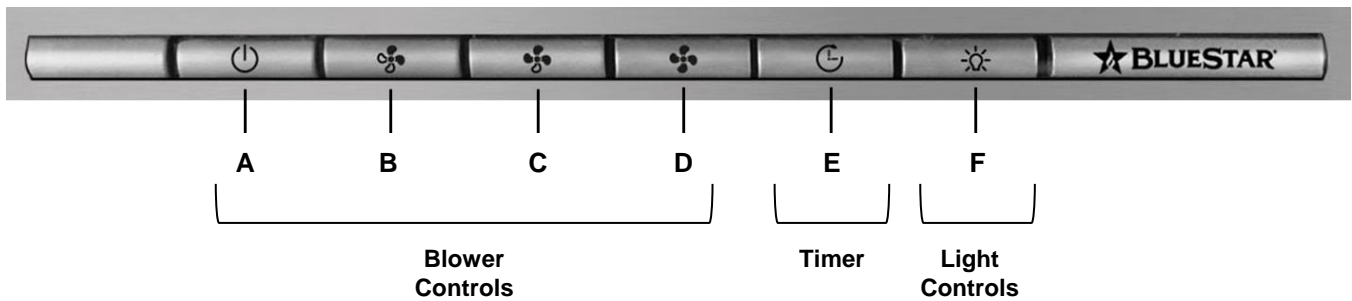
(Without Ceiling Access)



1. Run all-thread, duct work and transition.
2. Put duct cover in position and screw on transition.
3. Install blower.
4. Install hood.
5. Attach hood on duct cover.
6. Anchor hood to wall.

USE & CARE INSTRUCTIONS

Section 1: Control Panel



Blower Controls:

A – Blower starts on 1st speed

B – 2nd speed

C – 3rd speed

D – 4th speed (Boost Function)*

After 7 minutes of operation in Boost Mode the blower will automatically move to 3rd speed.

Additional Controls:

E – Timer

Pressing button during operation will cause blower to run for 5 minutes at its current speed. Blower will automatically shut off.

F – Light On/Off plus Dimming Feature

Press once to turn light on and off. Hold in button to adjust light intensity. Selected intensity will stay in controller memory until changed.

Section 2: LED Lighting

Operation:

Press once to turn light on and off. Hold in button to adjust light intensity. Selected intensity will stay in controller memory until changed.

Replacing LED Lights:

LED lights are removable without uninstalling ventilation hood liner.

- Remove hood liner control panel by removing screws attaching it to hood.
- Access LED connections by unscrewing and removing the LED housing support.
- Push tabs to remove lights from control panel.

Specifications:

- Dimmable LED 3000K
- Adjustable light intensity with sweep and fade away function
- Light memory (Intensity stays at last position)
- Light beam angle 60°
- Lens material PC
- 12V DC
- Lumen 125
- PW Consumption: 1.3 watt

USE & CARE INSTRUCTIONS

Section 3: Baffle Filters

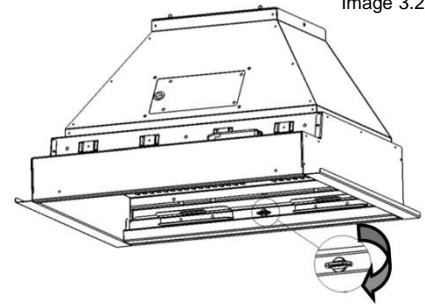
IMPORTANT

The function of the baffle filters is the absorption of grease particles that form during cooking. Do not operate ventilation hood without filters in hood. Baffle filters should be examined periodically to assure that the surfaces and parts are clean.

3.1: Removing Baffle Filters:

- Hold both handles located on the filter.
- Pull towards front of hood to depress spring system.
- Pull back of filter down and away from hood.

Image 3.2

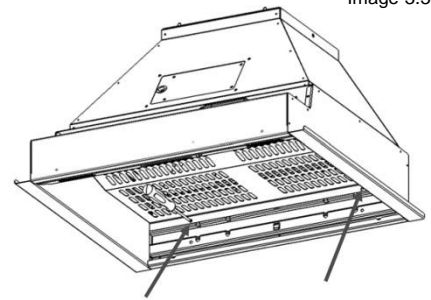


3.2: Removing Grease Trough:

Grease trough is located at base of baffle filters in rear of hood (see image 3.2).

- Turn fastening screw(s) $\frac{1}{4}$ turn to unlock.
- Pull towards front of hood careful not to spill contents inside.

Image 3.3



3.3: Removing Inner Shield:

Inner shield is located behind baffle filters (see image 3.3).

- Remove screws attaching shield to ventilation hood liner.

WARNING

3.4: Cleaning Baffle Filters

The baffle filters are dishwasher safe or can be cleaned in a sink with hot, soapy water. Do not use caustic detergent to clean the filters. Abrasive cleaners may harm or damage the finish. Do not disassemble the baffle filter. Disassembly will void the warranty.

Section 4: Cleaning Interior and Exterior

WARNING

Your hood must be kept clean and maintained properly

- Do not use abrasive cleaners, steel wool pads, abrasive cloths or cleaners with chlorides.
- Do not allow grease to accumulate. For best results wipe the canopy down with a soft cloth and hot, soapy water.
- The cleaning of the outside of the hood depends on the material used as a decorative exterior. See section for 4.2 for material specific cleaning instructions.
- Do not use abrasive or aggressive chemicals to clean the interior or exterior of the hood.

USE & CARE INSTRUCTIONS



Make sure that the electrical power is off before cleaning. The recommended detergent is a solution of water and a neutral liquid soap. It is very important for the liquid soap to not contain granules that could scratch the surface. First apply the solution to a soft cloth and then rub the cloth over the hood. It is important to follow the direction of the metal grain with the cloth. Do not pour any liquid directly on the ventilation hood. The cloth must have no buttons or fasteners that could scratch the surface. It is strictly forbidden to use chemical solvents, aggressive, grainy or abrasive products, alcohol or similar products that could damage the surface of the hood. The manufacturer will not be held responsible for functional or aesthetic damage caused by cleaning products which are not suitable or using inadequate cleaning methods.

4.1: Cleaning the Interior

Clean the interior of the hood with a cloth wetted in water and a neutral detergent or denatured alcohol as needed. Do not clean the electrical parts or blower with liquids or solvents.

4.2: Cleaning the Exterior

Exterior Finish: Brushed Stainless Steel

Clean the exterior of brushed stainless steel hoods using a soft cloth and quality stainless steel cleaner or warm soapy water. Follow all label instructions. Do not polish across the grain or in circles.

Exterior Finish: Paint with Gloss Finish

Clean the exterior of hood painted with a gloss finish using a soft cloth and quality glass cleaner or warm soapy water. Follow all label instructions. Do not polish across the grain or in circles.

Exterior Finish: Designer Metal (Brushed Brass & Copper, Antique Brass & Copper, Pewter & Oil Rubbed Bronze)

The following Designer Metals are treated with a protective clear coat that will prevent them from aging or discoloring over time. This clear coat will last the life of the hood unless removed by the homeowner. Clean with a microfiber cloth using Endust, Pledge or similar cleaner. Harsh cleaners such as Brite Boy will remove the clear coat and the metals will start to age.

Exterior Finish: Designer Metal (Polished Brass and Polished Copper)

The following Designer Metals are not treated with a protective coating due to a “rainbow” effect it causes on the metal. These finishes will patina over time without care and need occasional cleaning. Clean with a microfiber cloth using Endust, Pledge or similar cleaner for regular cleaning. For tough blemishes Brite Boy can be used with a microfiber cloth, but due to this product being slightly abrasive this should only be used in select situations.