

WA45T3200AW

SAMSUNG

Samsung 4.5 cu. ft. Capacity Top Load Washer with Vibration Reduction Technology+



Signature Features

Large 4.5 cu. ft. Capacity

- Fewer loads, less time in the laundry room, and more time doing the things you love. Save time, energy, and water.

Vibration Reduction Technology+

- Reduces noise and vibration for extra quiet washing.

Self Clean

- Keeps your washer tub fresh and clean.

Available Color



White



Vibration Reduction Technology+



Self Clean

Features

- Large 4.5 cu. ft. Capacity
- Vibration Reduction Technology+
- Self Clean
- Soft-Close Lid
- Smart Care*
- Diamond Drum Interior
- 700 RPM Maximum Spin Speed
- AC Motor
- 8 Preset Washing Cycles
- 4 Additional Washing Options
- 5 Temperature Levels
- LED Display: Red

Convenience

- Child Lock
- Dispenser Trays: Main Wash, Softener, Bleach

Rating

IMEF = 1.57
IWF = 6.5
240 kWh/yr

Electrical Requirement:

120V / 60Hz
15 Amps

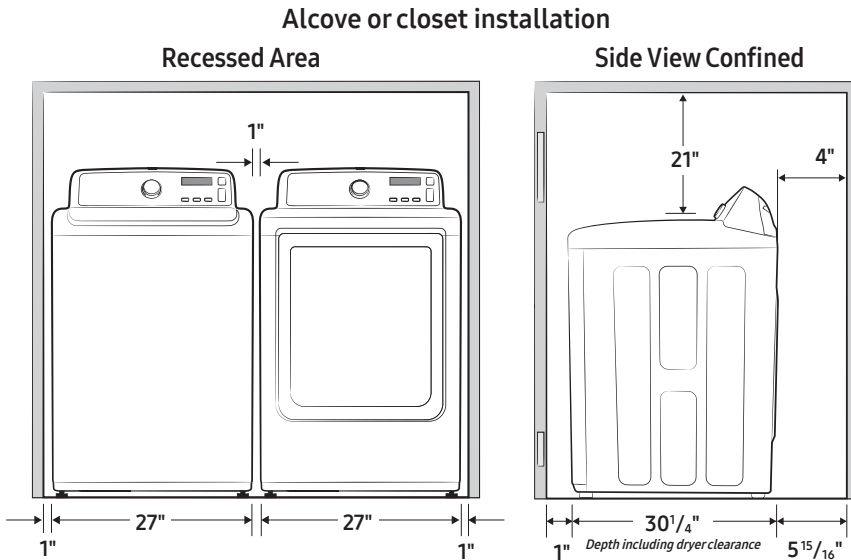
*Requires Samsung Smart Washer/Dryer App. The Samsung Smart Washer/DryerApp supports Android OS 2.3.6 or later and iOS 3 or later for iPhone models. Samsung Smart Washer/Dryer App available in App Store and Play Store.

WA45T3200AW

SAMSUNG

Samsung 4.5 cu. ft. Capacity Top Load Washer with Vibration Reduction Technology+

Installation Specifications



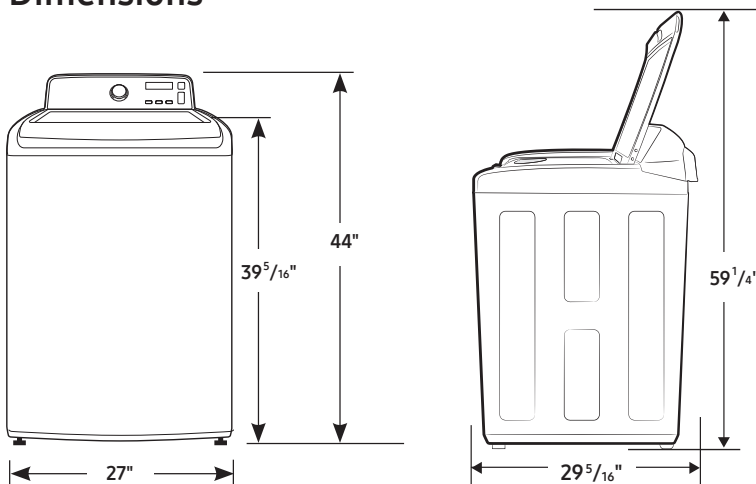
Minimum clearances for closets and alcoves:

- Sides – 1"
- Top – 21"
- Rear – 5¹⁵/₁₆"
- Closet Front – 1"

If both the washer and a dryer are installed in the same location, the front of the alcove or closet must have two unobstructed air openings for a combined minimum total area of 72-inch². This clearance requirement is applicable for washers only.

For dryer's clearance requirement, see the dryer's user manual.

Dimensions



8 Preset Washing Cycles:

Normal, Bedding/Waterproof, Heavy Duty, Delicates/Hand Wash, Quick Wash, Self Clean, Rinse and Spin, Deep Wash

4 Additional Washing Options:

Extra Rinse, Child Lock, Smart Care, Spin Only

5 Temperature Levels:

Hot, Warm, Eco Warm, Cool, Cold

3 Soil Levels:

Heavy, Normal, Light

Dispenser Trays:

Main Wash, Softener, Bleach

Warranty

- One (1) Year Parts and Labor
- Three (3) Years Stainless Steel Tub (Part Only)
- Five (5) Years Washing Motor Part (Part Only)

Product Dimensions & Weight (WxHxD)

Dimensions: 27" x 44" x 29⁵/₁₆"

Weight: 134.5 lbs

Shipping Dimensions & Weight (WxHxD)

Dimensions: 29⁹/₁₆" x 46⁹/₁₆" x 31"

Weight: 145.5 lbs

Color	Model #	UPC Code
White	WA45T3200AW	887276428536

Matching Dryer (Electric/Gas)

White	DVE45T3200W	887276429618
White	DVG45T3200W	887276429540