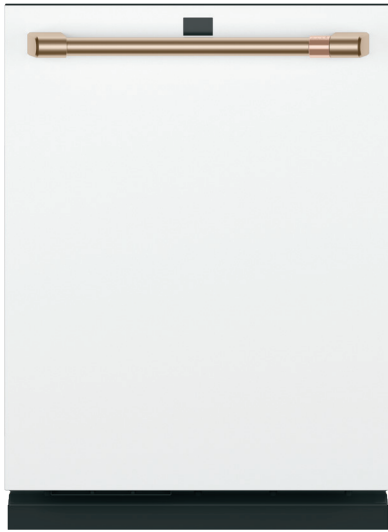


# Café™ Stainless Interior Built-In Dishwasher with Hidden Controls

CDT875P4NW2 / CDT875P3ND1 / CDT875P2NS1

# CAFÉ

DISTINCT BY DESIGN™



CDT875P4NW2  
Matte White with Brushed Bronze handles



**ALSO AVAILABLE IN**



CDT875P3ND1  
Matte Black with Brushed Stainless handles



CDT875P2NS1  
Stainless Steel with Brushed Stainless handles

## FEATURES & BENEFITS

**Ultra Wash & Dry Plus** – Expect precision cleaning and superior dryness on fine china, dinnerware and even dishwasher-safe plastics, with exceptional features like Variable-Pressure Jets and Dual-Convection Ultra Dry

**Loading Flexibility** – Clean up quickly after hosting any event with a dishwasher that accommodates large items – like charcuterie platters – and dishwasher-safe plastics, like storage containers, conveniently in the lower rack

**Status Center** – Continue conversations without interruption and easily know when extra dinnerware is available via an LCD screen that displays the dishwasher cycle status

**Adjustable Upper Racks** – You'll have room for your finest stemware and space for tall bakeware with a rack that can be moved two inches up or down, creating ultimate loading flexibility

**WiFi** – Always have clean dishes ready for surprise guests with WiFi Connect, which lets you operate your dishwasher from your smartphone. Track and automatically reorder detergent and rinse aid with just the tap of an app

Create a look that matches your personal style – Select any combination of premium finishes and hardware options to create a stunning look customized to any owner's taste

## APPEARANCE

Door Style	Long Door with Top Controls
Installation	Side Installation or Top Installation Included; Built-Up Floor Capable; Flush Cabinet Installation
Door Appearance	Full-length flat door

## FEATURES

Style	Built-In
Tub and Door Liner	Stainless Steel
Tub Type	Tall Tub
Control Type	Cap Touch Controls; 12 Touchpads
Dishwasher Control Features	Cycle Countdown with LCD Status Center on door; Multi function display; Last Cycle Memory; Audible End-of-Cycle Signal
Wash System	3-Level; 800 Series
Wash System Features	Variable Speed Dual Pumps and Motors; Automatic Temperature Control; Drain Pump; Hard Food Disposer with removable filter; Reversing Quad Blade Lower Wash Arm; Quad Blade Middle Wash Arm; Deep Clean Silverware Jets; Side Jets; 90+ Spray Jet Wash System; Hidden Heater; Automatic HotStart; Bottle Jets (4)
Sensor	Clean Sensor
Wash Arms	3 Wash Levels; Lower- Reversing Quad Blade; Middle - Quad Blade; Bottle Jets; Jets - Variable Pressure; Deep Clean Silverware Jets
Water Filtration System	100% Filtration with Hard Food Disposer and Removable Filter
Dispenser	Rinse Aid with Indicator and Adjustment; Electronic Low Rinse Aid Sensor
Number of Cycles	5
Dishwasher Cycles	Auto; Pots; Normal; China; Express
Number of Options	10
Dishwasher Options	Delay Start 1-12 Hr.; Hi-Temp Wash; Presoak + Sanitize (NSF Certified); Heated Dry Off; Normal Dry; Dual Convection Ultra Dry; Wash Zone Upper Only; Wash Zone Lower Only; Start/Reset; Bottle Wash; Lock Controls
Rack Features	2 Utility Shelves with Stem Safe and Chop-stick slots - Upper Ball-Tipped Tines; Adjustable Upper Rack; 3-Piece Silverware Basket with Cell Covers; Full Extension Slides - Upper
Racking Material	Nylon
Rack Color	Black Pearl
Number of Place Settings	Up to 16
Upper Rack	Premium Height Adjustable; Ball-Tip Tines; 2 Stem Safe Shelves; Chop stick slots; 1/2 fixed tines, 1/2 fold down tines
Lower Rack	Ball-Tip Tines; 1/2 fixed tines, 1/2 fold down tines
Additional Protection	Active Flood Protection
Dishwasher Drying Features	Dual Convection Ultra Dry; Ultra/Normal/Off; Fan Assist Dry
Floor Protection	Leak Pan w/ Sensor; Active Flood Protection
Leveling System	3 Leveling Legs
Latch	Pull with Handle
Showroom Power Mode	Yes
WiFi Connect	Built-In
Exterior Style	Traditional
Racking System	Full 3rd Rack

## ECONOMICAL/QUIET

Quiet Package	39 dBA
Quiet Features	Quiet Water Valve; Sealed Toe Kick; Tub Collar Trim
Motor Type	Variable Speed
Outer Wrap	Full-wrap Blanket; Bitumen
Door Insulation	Insulation; Mastic

## WEIGHTS & DIMENSIONS

Cabinet Width	24 in
Approximate Shipping Weight	137 lb
Net Weight	124 lb
Overall Height	34 in
Height w/ Legs Retracted - Minimum Height	33-3/8 in
Height w/Legs Extended - Maximum Height	34-5/8 in
Overall Depth	24 in
Overall Width	23-3/4 in

# Café™ Stainless Interior Built-In Dishwasher with Hidden Controls

CDT875P4NW2 / CDT875P3ND1 / CDT875P2NS1

# CAFÉ

DISTINCT BY DESIGN™

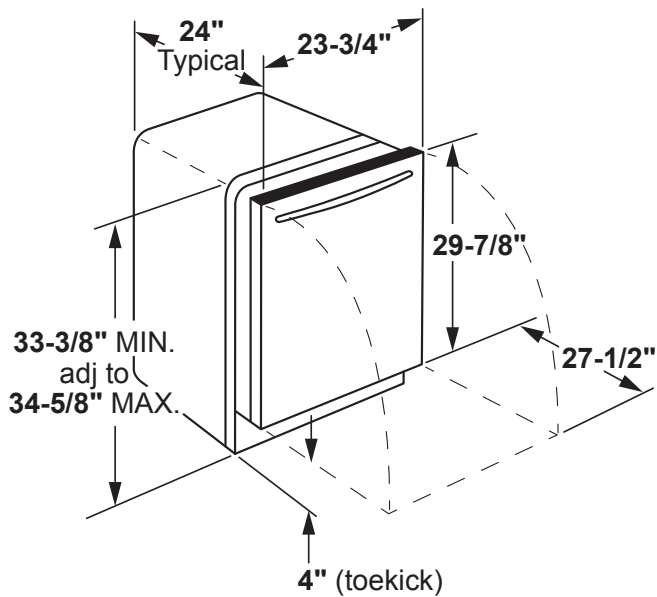
## TECHNICAL DETAILS

Calrod Heater Watts	400/1200
Power Connection	Optional cord kit (GPF-CORD - WX09X70910, WX09X70911)
Volts/Hertz/Amps	120 V; 60 Hz; 10.2 A

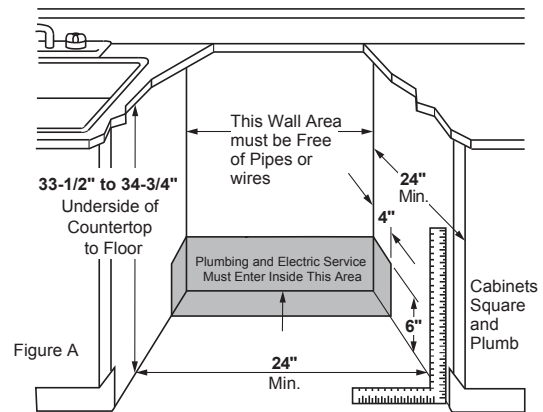
## WARRANTY

Parts warranty	Limited 1-year entire appliance
Labor warranty	Limited 1-year entire appliance
Warranty notes	See written warranty for full details

## DIMENSIONS



## INSTALLATION DIMENSIONS



## ADDITIONAL ACCESSORIES



Brushed Bronze  
CXADTH1PMBZ  
(Standard on Matte White)



Brushed Stainless  
CXADTH1PMSS  
(Standard on Matte Black and Stainless steel)



Brushed Black  
CXADTH1PMBT



Brushed Copper  
CXADTH1PMCU