



1.5 cu. ft. Slow Cook Warming Drawer

KOWT100E



Stainless Steel
KOWT100ESS

Capacity

Total 1.5 cu. ft

General Features & Properties

2-Position Racks

Power Indicator Light

Custom-Control Technology

Sensor Temperature Control

Professionally-Inspired Design

Electrical Details

Amps 15

Volts 120

Technical Details

Number of Oven Racks 2

Temperature Range 90 - 250

Dimensions

Product Dimensions
(H x W x D) 10-1/4" x
29-3/4" x
26"

Cutout Dimensions
(H x W x D) 9-1/8" x
28-1/2" x
24"

Reference Material

[Dimension Guide](#)

[Install Guide](#)

[Use & Care Guide](#)

[Warranty](#)

Key Features & Benefits

Slow Cook Function

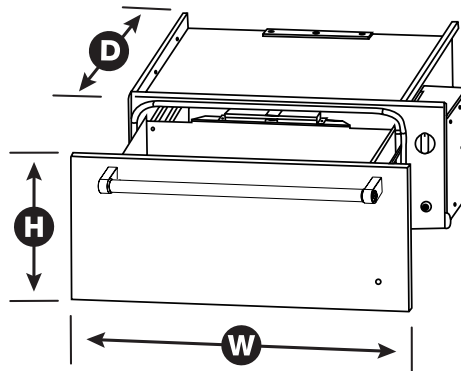
Adds versatility by allowing you to use the warming drawer in the same way you would use a countertop slow cooker.

Bread Proofing

Operates at a consistently low temperature that prepares dough for baking by activating the yeast.

Humidity Slide Control

Helps retain the flavor and texture of different foods by letting you control the amount of moisture inside the drawer.



NOTE: Dimensions are for planning purposes only. For complete details, see Installation Instructions packed with product. Specifications subject to change without notice.

®/™ © 2020. All rights reserved. Printed in the U.S.A. D200104XXE. KOWT100ESpecSheetV01.