

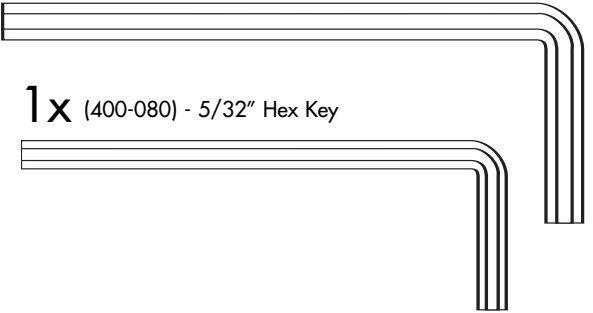
SYNERGY BRIDGE - SB2 / SB3 / SBX

Parts

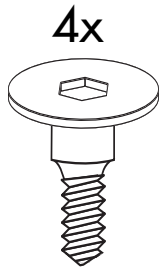
1 - Bridge Shelf

2 - Bridge Shelf Brackets

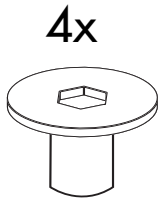
1x (400-060) - 3/16" Hex Key



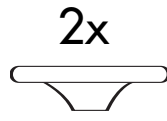
1x (400-080) - 5/32" Hex Key



(301-260)
Joint Connector Bolt



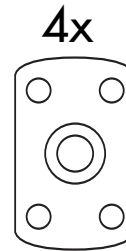
(301-265)
Joint Connector Nut



(301-280)
Plastic Cap Plug



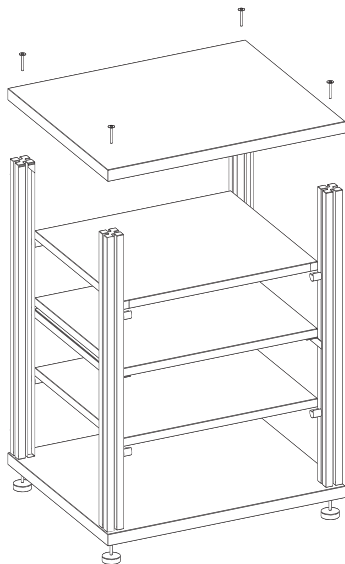
(300-485)
Button Head Screw



(300-560)
Flat Nut

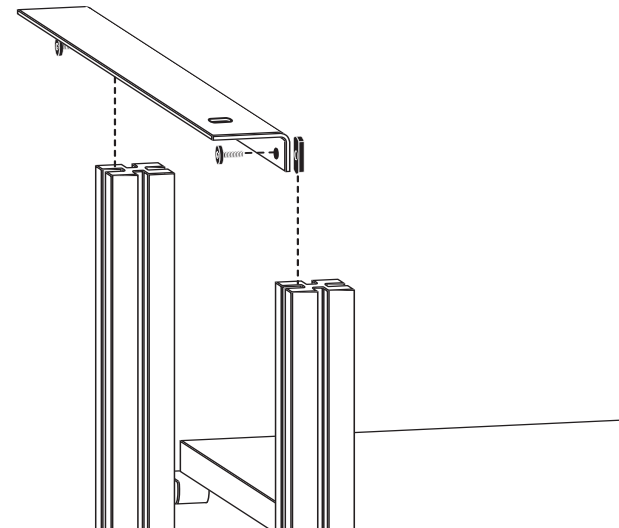
1 Remove Top Bolts

Remove the four connector bolts securing the top shelf from each of the base units. Save for Step 5



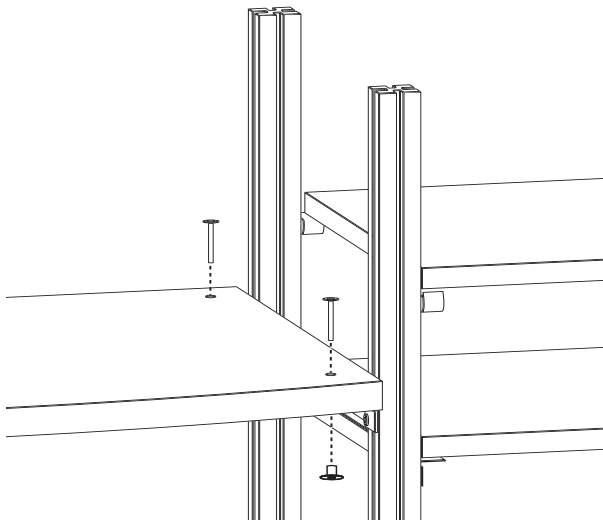
2 Install Brackets

Put the small button head screws through the round holes on the end brackets, attach flat nuts and slide into posts. Tighten with small hex wrench. **Attach one bracket to each base unit.**



3 Attach Bridge

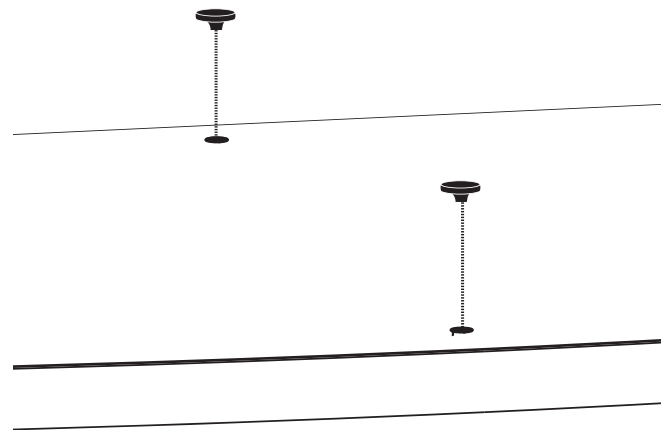
Join the Bridge to the Synergy racks with the connector bolts and connector nuts.



4 Plastic Cap Plugs - Bridge 3 Only

Skip this step if you are installing a Bridge1 or Bridge2 to your unit.

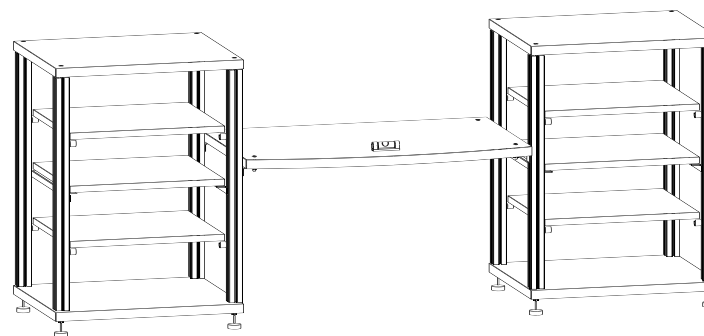
Press the plastic cap plugs into the top 2 center holes of the Bridge3.



5 Replace Top Shelves & Fine Tune

Replace top shelves from Step 1.

Use the bubble level to level Bridge. Remember to level front to back as well as side to side.



Limited Warranty

For five full years Salamander Designs Ltd will repair or replace, at our option, any product defective in materials or craftsmanship. Salamander Designs Ltd. will not be responsible for any damage to or destruction of other equipment consequential to our equipment failure. Defective product must be given Return Authorization and is to be returned to the factory prepaid, in the original carton and packing material. Any damage incurred in a shipment not in original packaging shall be the responsibility of the owner. Warranty repairs will be returned prepaid, via UPS within the continental U.S.A. only.

Salamander Designs Ltd. 800-535-5659 • www.SalamanderDesigns.com