



SALAMANDER DESIGNS

UST PROJECTOR INTEGRATED CABINETS

Designed for Epson LS100

EPSON[®]
INSIDE



SalamanderDesigns.com/epson

* Model #X/EPS237ZU/OB

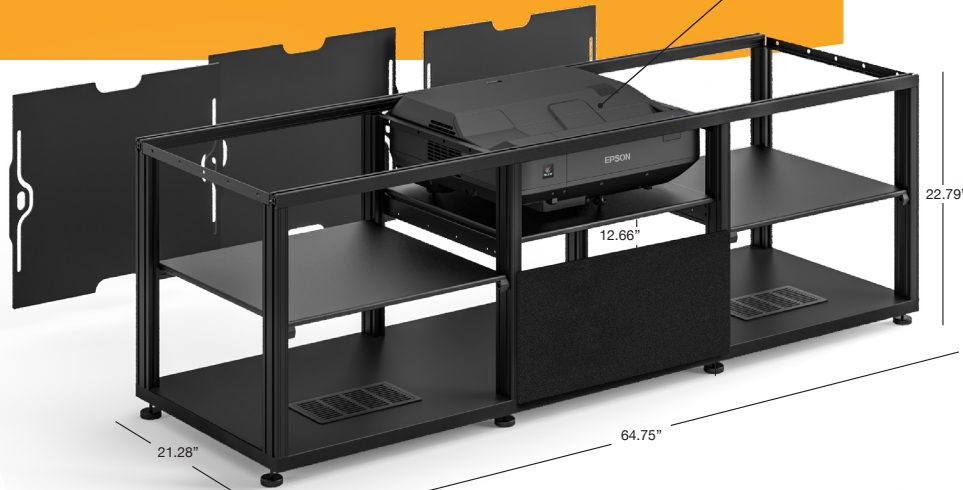
Seamless Stealthy Solution For Virtually Any Decor

A simple installation with no need to open the wall or ceiling to run cables. All supporting components can be enclosed in the credenza to provide a beautiful and simple solution.

Features:

- Flush top surface, recessed projector cavity design
- Extruded aluminum frame creates a support skeleton
- Pinch-out rear panels to permit fast, easy access to components and wiring
- Wide variety of bolt-on options and accessories are available
- Built-in Louvers for better air flow to keep equipment cool
- Center opening with a removable, grill designed to hide a speaker, 236 models

DESIGNED
FOR
EPSON®



Configurations



Projector Integration



Projector & Speaker Integration

Styles



MILAN
Dimensional, Diamond
Pattern, White

Speaker: X/EPS236ML/GW
No Speaker: X/EPS237ML/GW



MIAMI
Gloss Warm White

Speaker: X/EPS236MM/GW
No Speaker: X/EPS237MM/GW



OSLO
Black Oak Sides,
Black Glass Doors

Speaker: X/EPS236OS/BG
No Speaker: X/EPS237OS/BG



ZURICH
Opium Brown,
Linear Texture Doors

Speaker: X/EPS236ZU/OB
No Speaker: X/EPS237ZU/OB



CHICAGO
Black Oak,
Grass-Textured Doors

Speaker: X/EPS236CH/BO
No Speaker: X/EPS237CH/BO



BERLIN
Wenge,
Wave-Texture Doors

Speaker: X/EPS236BL/WE
No Speaker: X/EPS237BL/WE



DENVER - OAK
Natural Oak,
Bark-Textured Doors

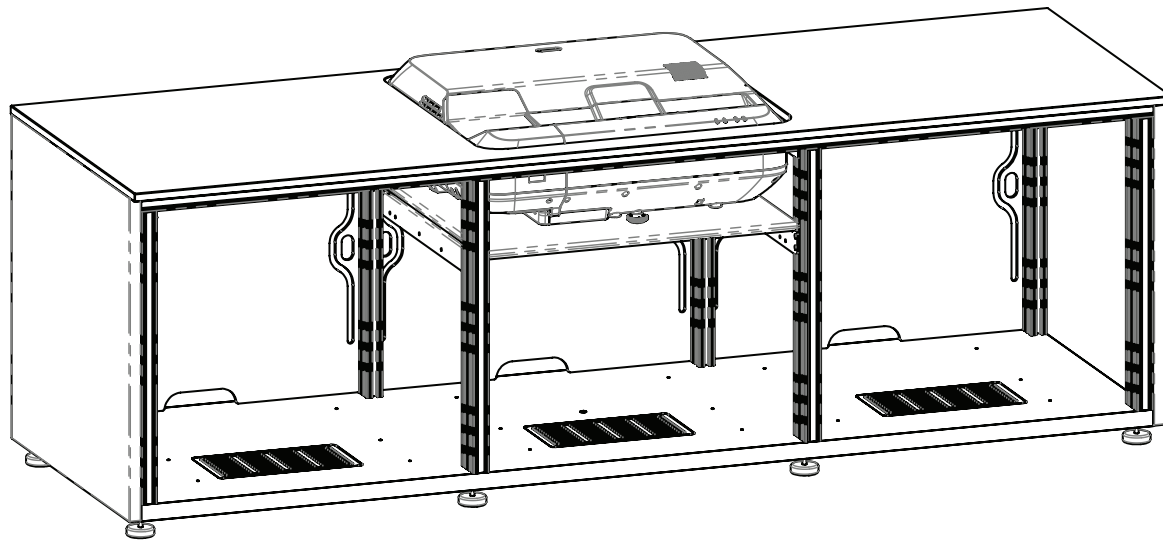
Speaker: X/EPS236DV/NO
No Speaker: X/EPS237DV/NO



DENVER - WALNUT
Medium Walnut,
Bark-Textured Doors

Speaker: X/EPS236DV/MW
No Speaker: X/EPS237DV/MW

**Salamander Cabinet Designed for
EPSON Home Cinema LS100 Full HD 3LCD
Ultra Short-throw Laser Projector**




**MIN & MAX
SCREEN SIZES**

70" Diagonal image:
Place rear edge of cabinet
4.5" from projection surface

125" Diagonal image:
Place rear edge of cabinet
15" from projection surface

