

This disassembly approach will work for all power motion sofas, loveseats (with and with out consoles.) It is a feature for moving styles through tight spaces.

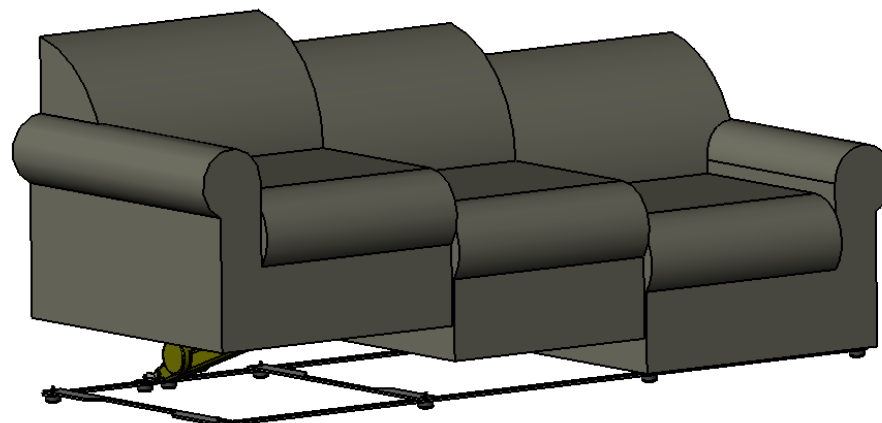
02-12-16

How to Disassemble Your Modular Reclining Sofa

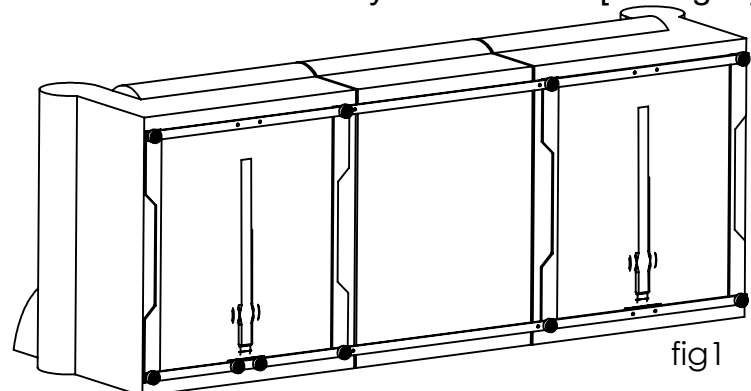
for easy moving

TOOLS NEEDED:
5/16" Ratcheting Socket Wrench

This modular furniture is designed to allow disassembly for ease of moving. Follow these simple steps to separate into individual modular seating components.



STEP 1
Turn sofa carefully onto its back [see fig. 1]



STEP II
Remove all glides by loosening bolts threaded through the glides [see fig.3]. Then pull the pins from the motor mount [see fig.3]. There are four glides(4) and 1 pin per seat section. 8 total glides and 2 pins for loveseats; 12 total glides and 2 pins for sofas.

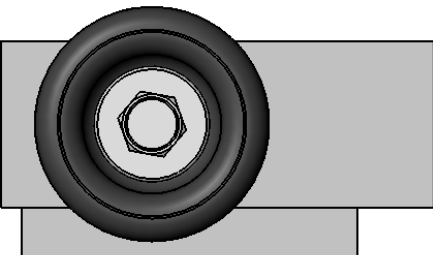


fig 2

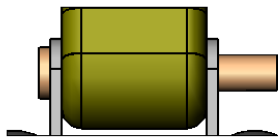


fig 3

STEP III
Remove both cross rails. Each seat section will now be separated for easy moving.

STEP IV
To reassemble your furniture, simply follow the previous steps in reverse. NOTE: Glides must be reinstalled (Step II) to prevent possible floor damage.

