

CG304P/S



FEATURES

Dual-stacked burners go from 18,000 Btu down to a mere breath of flame

Lower tier of dual-stacked burner lets you simmer and melt

Continuous cast-iron grates for easy movement of pots and pans

Easy-clean seamless burner pan

Rigorously tested in our U.S. manufacturing facilities for decades of use

Exceptional 24/7 support from our Customer Care team in Madison

Spark ignition system re-ignites if flame goes out

Signature red control knobs (black or stainless also available)

ACCESSORIES

2-Burner Wok Grate

30" Transitional Grate Set

Signature red, black or brushed stainless control knobs

High altitude conversion kit

Accessories available through an authorized Sub-Zero dealer.
For local dealer information, visit subzero-wolf.com/locator.



KNOB OPTIONS



COOKTOP SPECIFICATIONS

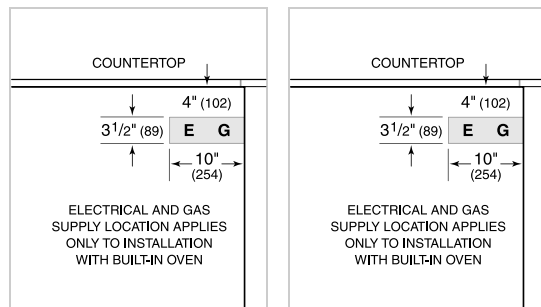
- 2 - 9,200 Btu Burner
- 1 - 12,000 Btu Burner
- 1 - 18,000 Btu Burner

PRODUCT SPECIFICATIONS

| | |
|--------------------|--------------------------|
| Model | CG304P/S |
| Dimensions | 30"W x 4"H x 21"D |
| Weight | 50 lbs |
| Electrical Supply | 120 VAC, 60 Hz |
| Electrical Service | 15 amp dedicated circuit |
| Gas Supply | 3/4" ID line |
| Gas Inlet | 1/2" NPT female |

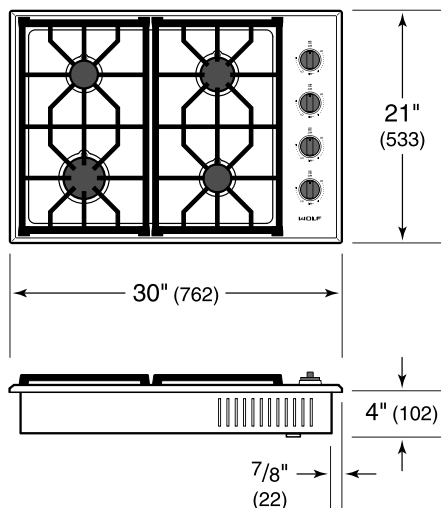
ELECTRICAL

GAS



NOTE: Dimensions in parenthesis are in millimeters unless otherwise specified

DIMENSIONS



STANDARD INSTALLATION

