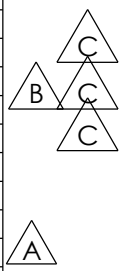
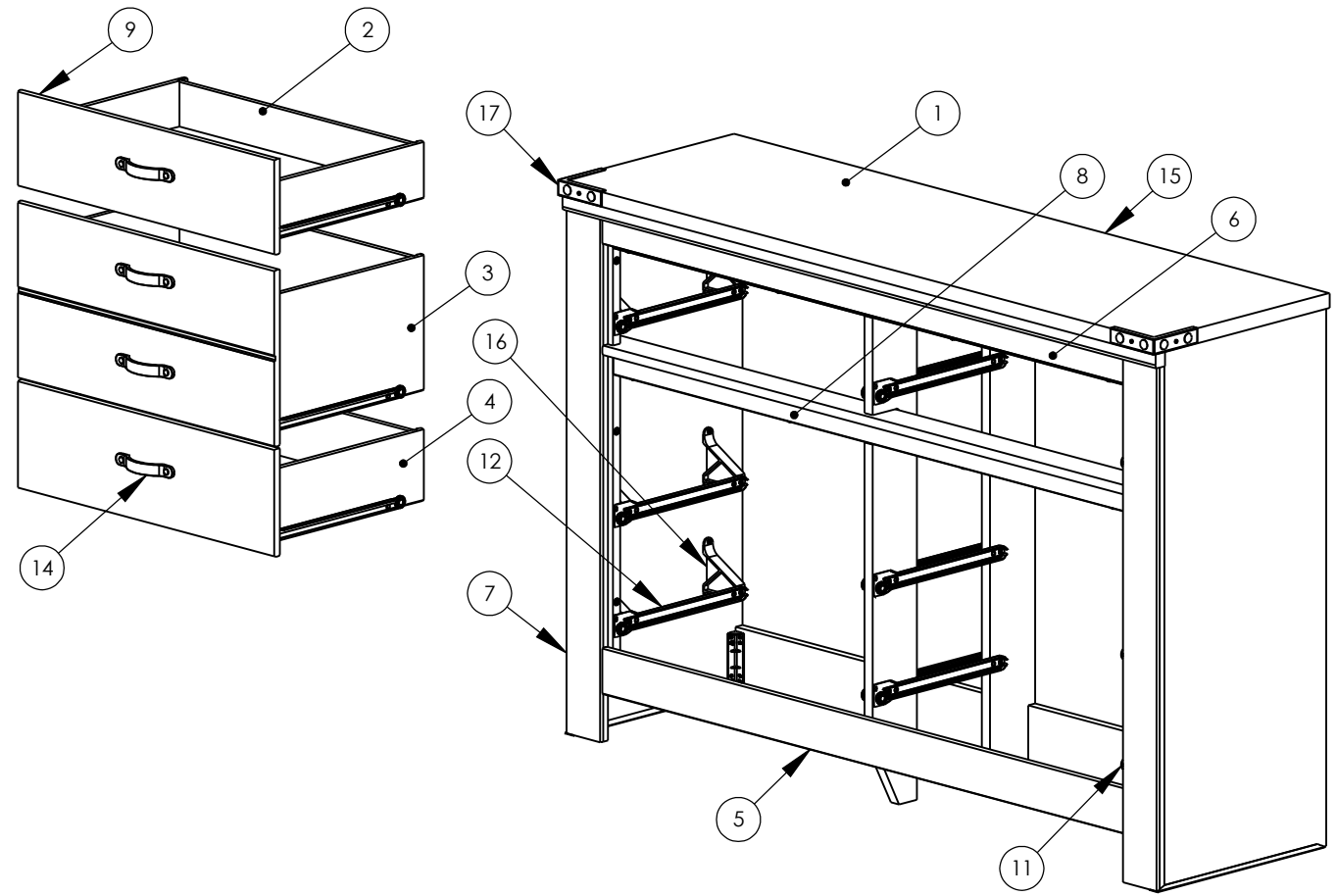


Item#	Qty	Description	MATERIAL
1	1	TOP ASSEMBLY	WOOD
2	2	TOP DRAWER ASSEMBLY	WOOD, METAL
3	2	MIDDLE DRAWER ASSEMBLY	WOOD, METAL
4	2	BOTTOM DRAWER ASSEMBLY	WOOD, METAL
5	1	BASESTRIP ASSEMBLY	WOOD
6	1	MOLDING ASSEMBLY	WOOD
7	2	PILASTER	WOOD
8	1	WAIST RAIL	WOOD
9	12	FELT PAD	FABRIC
10	2	CHANNEL MOULDING	PLASTIC
11	6	RIGHT CABINET GLIDE	METAL, PLASTIC
12	6	LEFT CABINET GLIDE	METAL, PLASTIC
13	1	TIPPING RESTRAINT	PLASTIC
14	8	HANDLE	METAL
15	4	FLANGE INSERT	METAL
16	12	GLIDE SPACER	PLASTIC
17	2	CORNER APPLIQUE	METAL



Dwg#: <b>34575</b>			
Scale: <b>1:15</b>	TOLERANCES ARE: METRIC----- +.5 / -.5mm DECIMAL----- 0 / -.005" FRACTIONAL----- +0/ - 1/32" (UNLESS OTHERWISE SPECIFIED)		
Date: <b>4/24/2013</b>	Desc: <b>Dresser</b>		
Rev.	Description	Date	Cad/Eng
A	CABINET GLIDE WAS DRAWER GLIDE	5/27/2016	LB/TH
B	CREATED MOLDING ASSY	1/15/2018	BM
C	UPDATED BASESTRIP ASSY, MOULDING ASSY, AND PILASTERS	2/13/2018	BM



TIPPING RESTRAINT