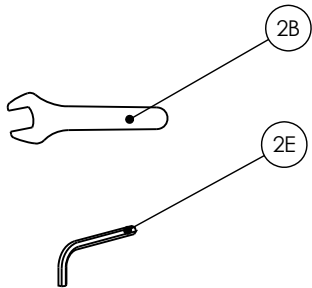


Item#	Qty	Description	MATERIAL
1	3	METAL CENTER SUPPORT 325MM	METAL
2	1	BED RAIL HARDWARE PACK	METAL
2B	4	METAL WRENCH	METAL
2C	4	BED HOOK - BOLT ON	METAL
2D	3	JOINT CONNECTOR	METAL
2E	1	ALLEN WRENCH	METAL
3	1	BED RAIL BOLT PACK	METAL



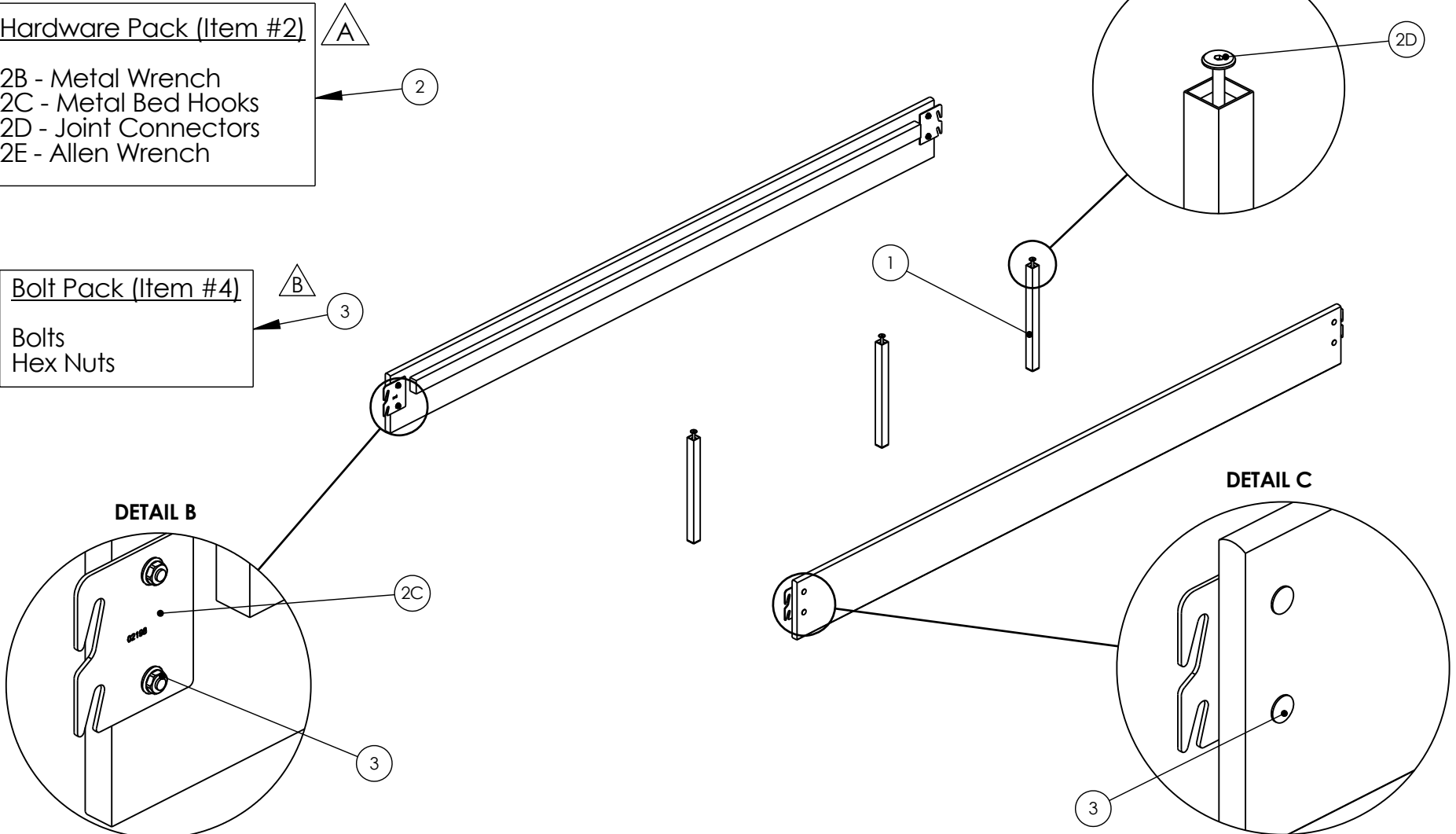
Dwg#: 33945			
Scale: 1:10		TOLERANCES ARE: METRIC..... +.5 / -.5mm DECIMAL..... 0 / -.005" FRACTIONAL..... +0 / -.1/32" (UNLESS OTHERWISE SPECIFIED)	
Date: 9/27/2011		Desc: Qn-Kg Bed Rails (325)	
Rev.	Description	Date	Cad/Eng
A	ADDED HARDWARE PACK	10/4/2012	MS
B	ADDED BOLT PACK	9/11/2015	TH

Hardware Pack (Item #2)

2B - Metal Wrench
 2C - Metal Bed Hooks
 2D - Joint Connectors
 2E - Allen Wrench

Bolt Pack (Item #4)

Bolts
 Hex Nuts



DETAIL A

DETAIL C

DETAIL B