

*Beautyrest*®

# OWNER'S MANUAL



## Advanced Motion Base

Actual product appearance and functionality may vary from photographs, illustrations and descriptions included in this manual.

# table of contents

Safety Precautions and Usage Statements .....	1-4
Parts List .....	5
Base Overview .....	6
Quick Reference Guide .....	7
Installation Guide .....	8-9
Remote Control .....	10
Remote Control Pairing .....	11
Syncing Two Bases .....	12-13
Power Down Box .....	14
Connecting Straps .....	15
Headboard Brackets .....	16
Troubleshooting .....	17
Español .....	18-23
Notes .....	24-25

# safety precautions and usage statements

## Attention: Important Safety Disclaimers

Read all instructions before using your adjustable base. Save these instructions.

### **TO REDUCE THE RISK OF SHOCK, BURNS, FIRE OR INJURY:**

For optimal safety and operation, plug bed base into a surge protector (not included). The bed base should only be plugged directly into a wall outlet or surge protector (strongly recommended). Always unplug the base from the electrical outlet before servicing any part of the base. To reduce risk of electric shock, unplug the base before cleaning. To safely disconnect, ensure the base is in a flat position with all motors off, and unplug from power source. Keep the power cord away from heated surfaces. Never operate the base when the air openings are blocked. Keep air openings free of lint, hair and the like. Do not drop or insert any object into any opening. Discontinue use of the bed base and contact a qualified service center if: it has a damaged cord or plug, if it is not working properly, or it has been dropped into water. Only use this bed base for its intended use as described in this manual. Do not use accessories/attachments that are not recommended by the manufacturer. Close supervision is required when the bed base is used by or near children, convalescents, disabled persons or pets. Improper connection of the equipment can result in the risk of electrical shock, electrical fire or faulty operation of this bed base. If the plug does not fit your outlet, contact a qualified electrician to install a suitable outlet. Unauthorized modification or failure to use a wall outlet or surge protector could void the electrical portion of your warranty.

### **PETS AND CHILDREN:**

Immediately dispose of all packing materials as it may pose a smothering risk to small children and pets. To avoid injury, it is not advised to allow children and small pets to play on or under the bed. Children should not

operate the bed base without adult supervision.

### **PACEMAKERS:**

Some products contain Neodymium MAGNETS which may interfere with devices such as pacemakers, ICD's and any other device sensitive to magnetic fields. It is STRONGLY recommended that owners of such medical devices consult their physician prior to using products that contain Neodymium MAGNETS. It is also possible that some pacemakers may falsely interpret the optional massage feature vibrations as movement/exercise. This is a common occurrence with any product that creates a vibrating movement and may not affect the pacemaker. Please consult your physician before using the massage feature.

### **IN-HOME USE AND HOSPITAL STANDARDS:**

Ergomotion adjustable bed bases are designed solely for in-home use. This base was not designed as a hospital bed and is not designed to meet hospital standards. Do not use this base with TENT TYPE oxygen therapy equipment or near explosive gases.

### **ADDITIONAL SAFETY FEATURES**

Casters (optional leg accessory) are equipped with locking wheels to prevent unwanted movement. Even when locked and unable to roll, it is possible for the casters to slide. Free release head and foot motors are designed to lower the mattress by retracting only with gravity, never pulling downwards, which minimizes pinch points

# safety precautions and usage statements

## LIFTING/LOWERING MECHANISMS

The lift/lower feature will emit a minimal humming sound during operation. This is normal. During operation, the lift arm wheels make contact with the platform support of the base. This contact may result in metal on metal or metal on plastic contact. This applies slight tension on the moving components and resonance is reduced to a minimum level. If excessive noise or vibration is experienced, reverse the movement action (up or down) of the base with the remote control. This should realign the base's activating mechanisms to the proper operational position. In normal base operation, the wheels, which allow the bed to maintain its distance from the wall, will make contact with the steel platform supports of the base creating a contact noise. When entering, exiting or shifting weight on the base, this contact noise may be audible as the wheels make contact. This is normal.

## MATERIALS

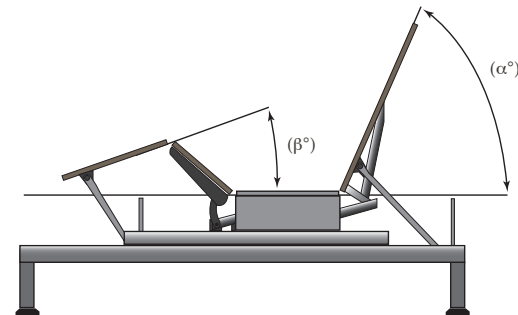
Ergomotion adjustable bases are constructed from various materials including woods, metals, plastics and fabrics. Tension, pressure or movement applied to the frame, platform or shroud through general use may create an audible sound.

## MESSAGE OPERATION AND LOCATION ENVIRONMENT

The massage feature will emit a tone during operation. This is normal. As the massage intensity level is increased, the tone will intensify. The volume of this tone is directly related to the location environment. For example, when demonstrated in a show room, the surrounding environmental noise will cover some of the massage noise. However, when installed in a home setting with wooden floors, carpeted or not, the massage volume will be more noticeable. To minimize this resonance, place a piece of carpet, or rubber caster cups, under each leg or caster of the base. It is possible to experience vibration or noise from the exterior bed frame, headboard brackets, headboards or footboards if

mounting bolts are not firmly tightened.

Levels 1-6 of massage intensity represent the revolutions of the motor per minute. Level 6 provides the maximum number of RPMs. However, this does not mean that the feeling of vibration is the strongest. Depending on the mattress material, thickness, and positioning of the user, the feeling of vibrations will differ. We encourage the user to find the massage intensity setting that suits them best. It is important to understand the physics of vibrations. Just as an engine may run rough during idle, as the RPMs increase, the vibrations change concurrently.



## TOLERANCE

All Ergomotion adjustable foundations, depending on make and model, are designed and manufactured to perform and function within designated quality control parameters. Bases are subject to meticulous and rigorous inspections during the quality control process to ensure bases will operate within these standards during normal operating use. Normal operating use is defined as the following: Adjustable foundation is to be operated with a mattress and load. Testing procedures require lifetime cycle tests with up to 120kg distributed load. The angle (designated " $\alpha$ " in figure 1) between the back section and the flat section

# safety precautions and usage statements

for various configurations of the mattress support platform shall be  $\pm 3^\circ$ , which translates to a tolerance of up to 1 ½”.

The angle (designated “ $\beta$ ” in figure 1) between the flat section and foot section for various configurations of the mattress support platform shall be  $\pm 3^\circ$ , which translates to a tolerance of up to ¾”.

Any adjustable foundation deemed to be within these allocated tolerances is considered to have met the manufacturer’s quality control standards.

## **THAT “NEW PRODUCT” SMELL:**

Some people notice a slight odor to their new adjustable base—this can come from our material manufacturing process. This smell is normal and usually disappears before the product reaches you. Sometimes, however, this smell may still be noticeable. It usually disappears after a few weeks, providing adequate ventilation of the product and the environment.

## **BREAK IN PERIOD:**

You can speed up the break-in period by simply spending time in the adjustable bed through activities such as reading, watching TV or playing with the kids or grandkids. The extra movement will help the adjustable base respond to weight and temperature changes. Some of the materials in our adjustable bases such as the woods, metals and plastics used in the platform, frame and components are sensitive to moisture content and temperature and may make sounds in colder environments.

## **PAIRED OPERATION:**

When operating a “paired” split base setup there may be a time latency up to 1.5 seconds between each bases articulation.

## **WEAR AND TEAR:**

Wear and tear is damage that naturally and inevitably occurs as a result of normal use or aging.

## **FABRIC CARE:**

To prolong the life of your fabric, protect from direct sunlight whenever possible. For spot cleaning, wipe area with a light damp sponge or vacuum with a soft brush attachment to remove particles. Keep at a minimum of 30cm (12 inches) away from direct heat sources. For a deeper cleaning, blot liquid spills with a clean dry cloth. Wipe with a clean cloth dampened with warm water. Do not wet excessively. A soft bristle brush may be used to remove ingrained soil. Avoid scratching by gentle brushing. Wipe with a clean cloth dampened with warm water to remove residues. Dry in shade away from direct heat. If persistent marks remain visible after cleaning, seek professional advice.

## **PRODUCT RATINGS:**

The lift motors are not designed to operate continuously for more than [2] minutes in an [18] minute time period or approximately 10% duty cycle. Attempting to circumvent or exceed this rating will shorten the life expectancy of the product and may void the warranty. The massage motors are not designed to operate continuously for more than 30 minutes at a time. Please allow the massaging system to rest for 30 minutes after automatic massage shut off before restarting.

## **WEIGHT LIMITS:**

This product is not rated to support weights in excess of 650 pounds inclusive of the mattress and bedding. The base will structurally support this weight, provided it is evenly distributed across the bed base. The adjustable base is not designed to support or lift this amount in the head or foot sections alone. Exceeding this weight restriction could damage the bed and/or cause injury and will void the warranty.

# safety precautions and usage statements

## IMPORTANT DO'S AND DON'TS

### DO:

- Plug your adjustable base into a power surge protector.
- Evenly distribute weight when sleeping in a split setup. Uneven distribution of weight can cause the base to raise unevenly.
- Call Customer Service for any technical issues. Do not try to force the base down, this can damage the motors or frame.
- Use mild soap and water to clean your adjustable base if staining occurs.
- Keep in mind that adjustable bases are recommended to be used with adjustable friendly mattresses.
- Lower to the flat (horizontal) position after use and in between presets.
- Register your warranty as soon as your adjustable base has been delivered.

### DON'T:

- Sit on corners/edges of base, this may warp the frame, struts or foam.
- Tilt the base on its side. This can damage the legs and/or leg screws.
- Stand or jump on the adjustable base at any time, this can damage the frame and motors.
- Drag the base to move it. Dragging the base could damage the frame, strip the nut/bolts or break the legs. Purchase castors if you plan on moving your base routinely.
- Enter and exit the adjustable base with the head and/or foot in the articulated position. Enter or exit your adjustable in the flat (horizontal) position.
- Tinker with or modify base. This will void the warranty.
- Press down on the head or foot while actuated can damage frame and motors.

### **FCC Compliance:**

This device complies with part 15 of the FCC Rules. Operation is subject to the following two conditions: (1) This device may not cause harmful interference, and (2) this device must accept any interference received, including interference that may cause undesired operation.

To comply with the FCC RF exposure requirements, no change to the antenna or the device is permitted. Any change to the antenna or the device could result in the device exceeding the RF exposure requirement and void user's right to operate the device.

Radio Frequency: 2.4 GHz

**SAVE THESE INSTRUCTIONS.**

# parts list

Before discarding the packing materials, ensure all the parts are accounted for.

**All electronics and components that need to be installed are located in boxes under the base or attached to the frame.**

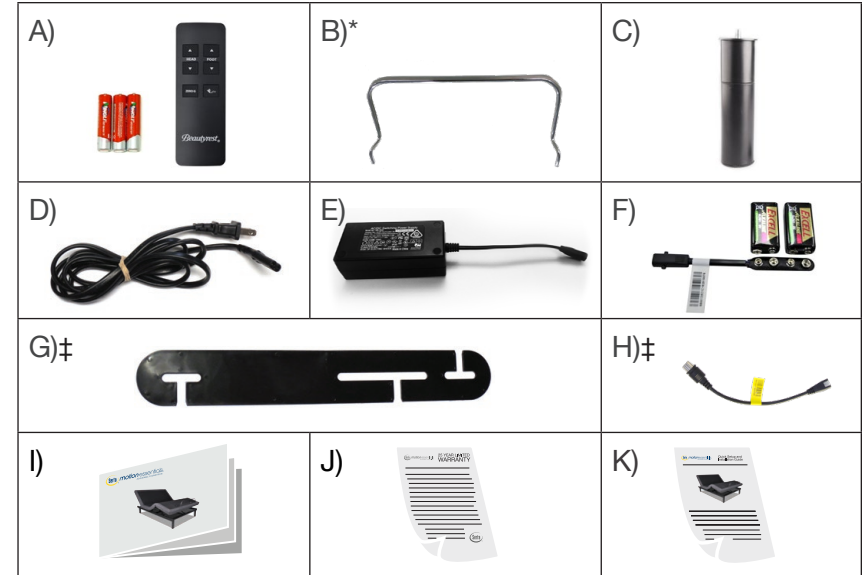
- A) Wireless Remote Control
- B) Mattress Retainer Bar\*
- C) Legs (4)
- D) Power Cord
- E) Power Supply
- F) Battery Backup Strip (9 volt batteries not included)
- G) Connecting Strap †\*
- H) Sync-Cord †
- I) Manual
- J) Warranty Card
- K) Quick Start Guide

**Misc Parts (not included):**

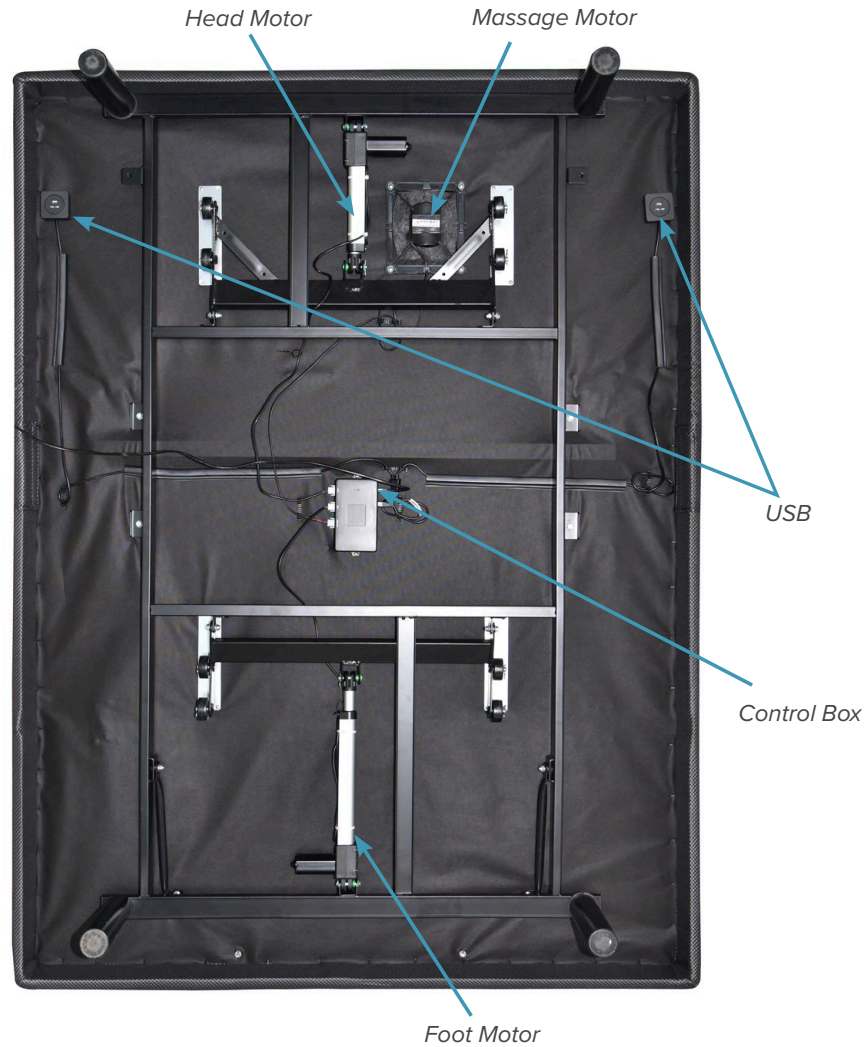
- L) Surge Protector
- M) 9 Volt Batteries (2)

\* These items are attached to the base for shipping purposes. Carefully remove from base and set aside.

† Only included in Twin, Twin Long, Queen Split and Cal King Split bases.



# base overview

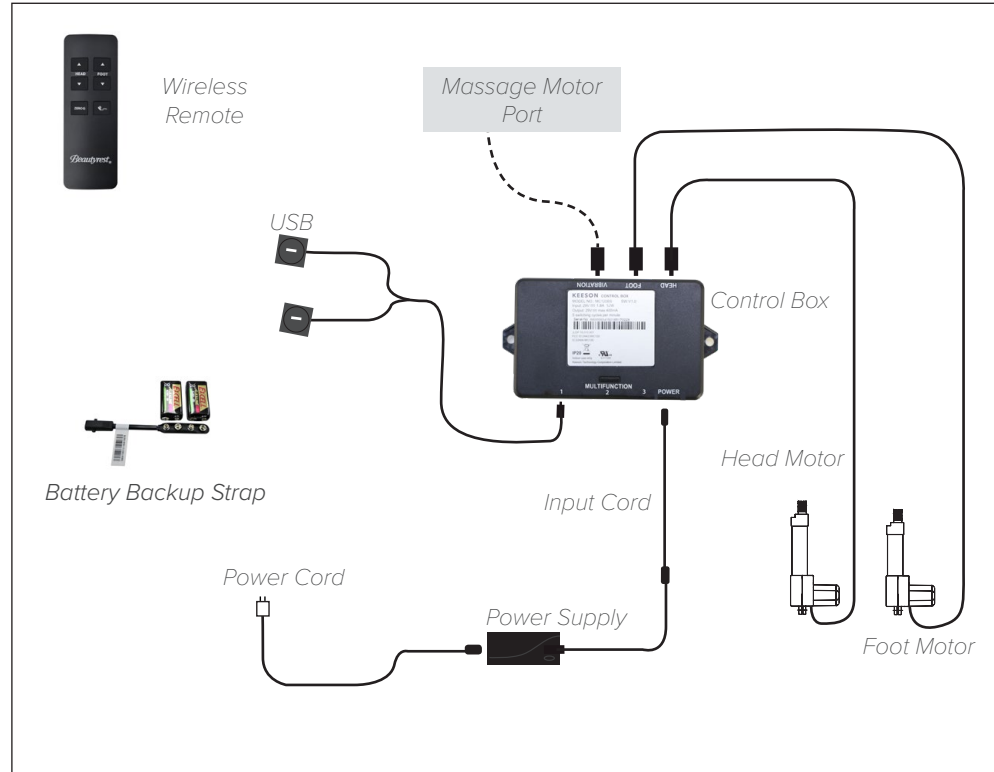




# quick reference guide

Not to scale. For illustration purposes only. Read all instructions before beginning installation.

## ELECTRONICS OVERVIEW



If Installing a split unit, please see page 12-13

# installation guide

Always use two people when setting up the base.

## STEP 1

Place the bed base box in a desired location with the top of the box facing up.

Remove the binding straps and packing materials, making sure not to puncture the box with any sharp objects.

## STEP 2

Remove the bed base from the box keeping the bottom of the base facing upwards.

## STEP 3

**To install Headboard Brackets (sold separately) see instructions on page 15.**

To install the legs, thread the washer over the screw on the leg. Next, screw the leg into the nutsert on the frame. **Do not over tighten.**



The 3-in-1 legs untwist into separate sections for custom leg height options.

## STEP 4

**To sync two bases see detailed installation instructions on page 12.**

Locate the Backup Battery Box and install (2) 9 Volt batteries (not included).

## STEP 5

Uncoil input Power Cord (connected to Control Box's power port) and plug into Power Supply.



## STEP 6

Uncoil the Power Cord and connect to the Power Supply. Place Power Supply on the ground and extend from the base. Ensure that the Power Supply and all attached cords are directed toward the desired surge protector.



# installation guide

## STEP 7

Carefully flip the base over on to its legs. Important: Two people are required to move the bed base. Do not drag across the floor. Do not rest frame on its side, excessive pressure may damage the legs.

## STEP 8

Plug the power cord into a power source.

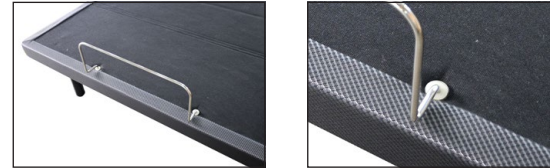
**A surge protector is recommended.**

## STEP 9

Quickly test remote functions to verify proper setup before placing mattress on base. Return the base to a flat position before placing the mattress on top.

## STEP 10

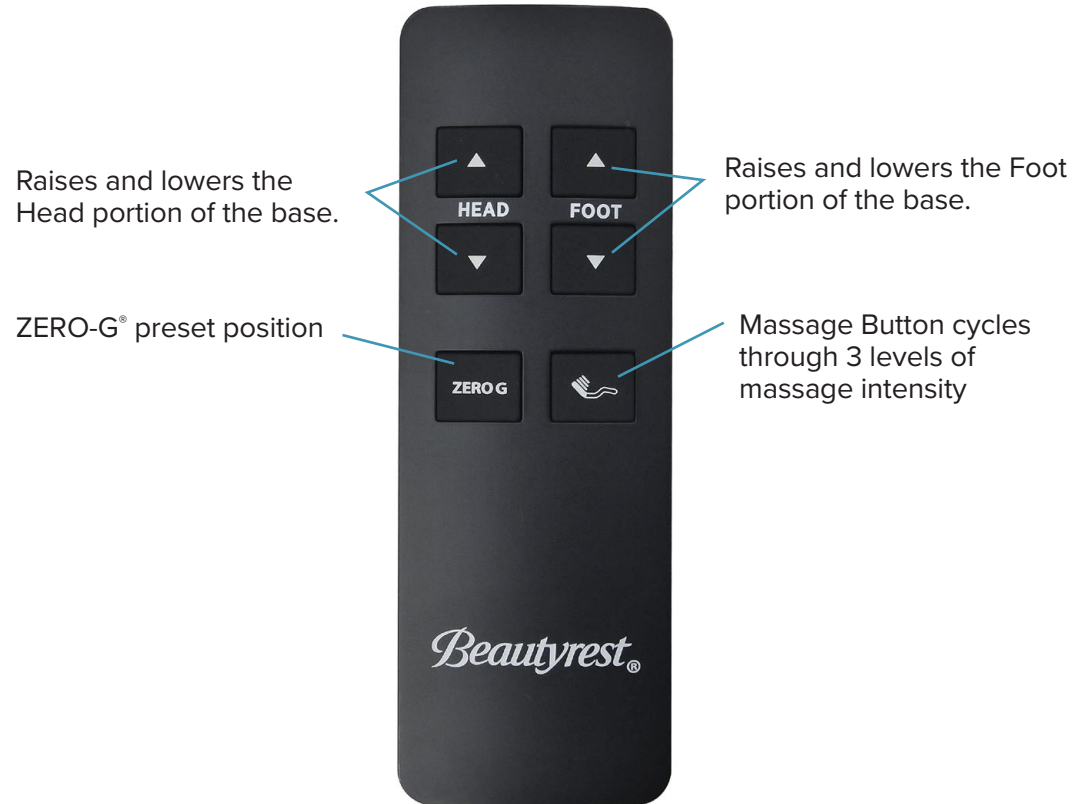
Install mattress retainer bars by inserting each end of the retainer bar into the holes at the foot of the platform.



**Setup is now complete! Test all functions on remote.**

# remote control

Remote Control arrives paired to the adjustable base.  
Three (3) AAA batteries are required to operate the remote.



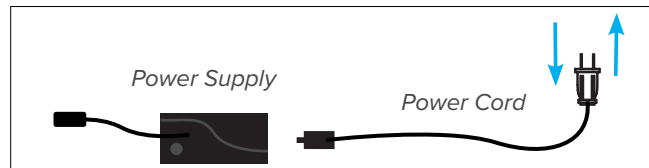
# remote control pairing

## Remote Pairing

The original remote that comes in the box is already paired to the adjustable base. No further action is required. In the event that the remote is not paired with the base, follow the steps below.

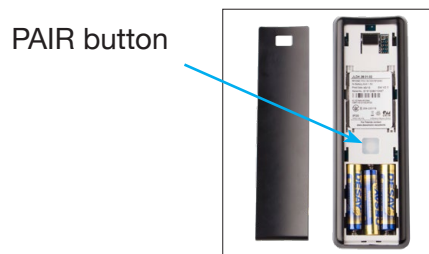
### STEP 1

Unplug the Power Cord from your power outlet. Wait 1 minute, then plug it back in to your power outlet. Perform Step 2 within 10 seconds, while the control box light is flashing.



### STEP 2

Press and hold the PAIR button on the back of the remote. The PAIR button will illuminate and start to flash. When the PAIR button stops flashing, the LED light on the control box will stop flashing. Release the PAIR button.



### STEP 3

The remote is now paired to the adjustable base. Test all remote functions. If the remote buttons do not impact the adjustable base movements, please repeat the process again.

# syncing two bases (optional)

A Sync Cord is included with the base. Not available on Queen, Full or Full-Long size bases.

The Sync Cord connects the two control boxes to a single remote for the synchronization of two bases.

This process is most commonly used for syncing two connected TXL bases.

## STEP 1

Unplug bases from power source.

## STEP 2

Connect the Sync Cord to the Multifunction port of each Control Box.

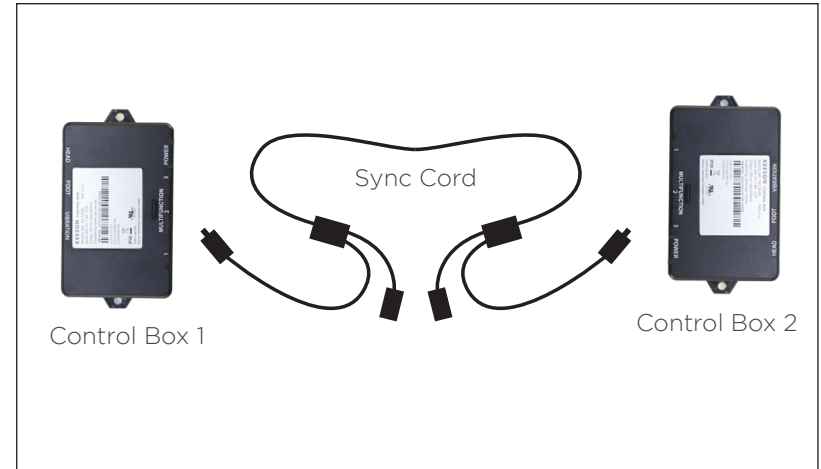
## STEP 3

Plug bases back into the power source.

## STEP 4

Check to ensure all cords are securely attached. Both remotes will now operate both bases simultaneously.

The system is now linked. Pressed buttons on either remote will control the two bases simultaneously.



## PERFORMANCE NOTES

If bases become mismatched, returning the bases to the flat positions will re-sync the mechanical positions.

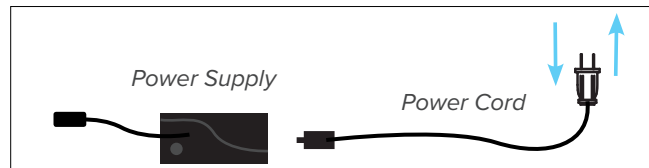
# pairing the remote

## Remote Pairing

The original remote that comes in the box is already paired to the adjustable base. No further action is required. In the event that the remote is not paired with the base, follow the steps below.

### STEP 1

Unplug the Power Cord from your power outlet. Wait 1 minute, then plug it back in to your power outlet. Perform Step 2 within 10 seconds, while the control box light is flashing.



### STEP 2

Press and hold the PAIR button on the back of the remote. The PAIR button will illuminate and start to flash. When the PAIR button stops flashing, the LED light on the control box will stop flashing. Release the PAIR button.



### STEP 3

The remote is now paired to the adjustable base. Test all remote functions. If the remote buttons do not impact the adjustable base movements, please repeat the process again.

# Emergency Battery Backup

For emergency use only, in case of a power outage.

## STEP 1

Disconnect the Power Supply from the input power cord.

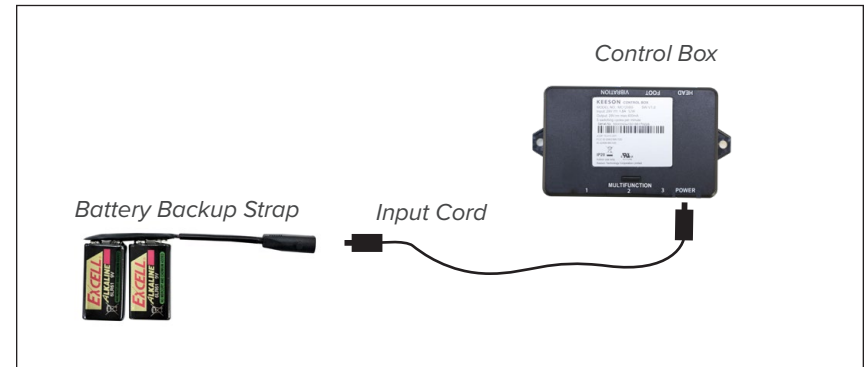
## STEP 2

Connect the Battery Backup Strap to the (2) Alkaline 9 Volt batteries. Do not mix brand name Batteries.



## STEP 3

Connect the end of the Battery Backup Strap to the input power cord that is attached to the control box.



**Note:** Detach the Battery Backup Strap after the emergency is over, as the system will continue to draw power from the batteries even if not in use.



# connecting straps (optional)

If any split setup is being installed, plastic connecting straps are provided (one per base) to secure the bases together. Use both straps to secure the head and foot portions together.

## STEP 1

With the bases in their desired location, slightly loosen both legs to allow the strap to fit on the leg bolt, between the leg washer and frame.



## STEP 2

Slide side (a) of the connecting strap onto leg bolt. Swing the strap and connect side (b) to the leg bolt. Secure the strap by shifting to the left.



## STEP 3

Re-tighten legs. Do not over tighten. Use the remaining strap and repeat on other end of the base.

# headboard bracket installation guide (optional)

Headboard Brackets are an optional accessory and are not included.

A 9/16" (14 mm) & 1/2" (13 mm) socket and crescent wrench are necessary to complete installation.

## STEP 1

- a.) Align the hole in the bracket to the brass sleeve into which the leg threads. Hold the bracket in place and screw the leg into the base until it is snug. **DO NOT OVERTIGHTEN.** Too much force may cause the leg to spin freely.
- b.) Align the tab with the hole in the frame (located towards the foot of the base) and use a short bolt and nut to secure the bracket. Make sure the bolt is tight.



## STEP 2

Attach the plastic spacer and T-Bracket.

- a.) Measure the distance between the mounting holes on the headboard and install the spacer and attachment plate to accommodate the headboard.
- b.) To install the plastic spacer and attachment plate, you will need (2) long bolts and (2) nuts. Place the spacer and attachment plate in the desired location and slip the bolts through the holes with the head of the bolt facing outward. Position the bolts diagonally on the spacer. Use the 9/16" (14 mm) socket and wrench to tighten the bolts.



## STEP 3

You may now connect your headboard to the attachment plates using the remaining short bolts and nuts to secure it to the brackets. The heads of the bolts will face outward. Use a 9/16" (14mm) socket and 1/2" (13mm) wrench to tighten the bolts.

# troubleshooting

## If one or more functions on the bed base have stopped operating:

- Check under the bed base to verify that the wired connections are secure and that there are no cords or bedding obstructing the movement of the base.
- Check to ensure the green LED light is illuminated on the control box. If there is no light, verify that the input and power cords are properly connected.
- Unplug the base for 1 hour to reset the electronic components.
- Plug bed base into a different electrical outlet, or test current outlet with another working appliance (a grounded, electrical surge protector is recommended).
- Remove and replace full batteries in the remote control and re-pair the remote to the base (see page 11).

If issue is not resolved by following the instructions above, locate serial number on warranty card or back of remote and call

**[Ergomotion Customer Service: US 1-888-550-3746](tel:1-888-550-3746)**

## Pg. 1-4 - Precauciones y Declaraciones de Uso Atención: Importantes Exenciones de Seguridad

Lea todas las instrucciones antes de utilizar su base ajustable. Guarde estas instrucciones.

### ⚠ ADVERTENCIA

Siempre desconecte la base antes de hacerle servicio a cualquiera de sus partes.  
Para reducir el riesgo de choques eléctricos, desconecte la base antes de limpiarla. Para una desconexión segura, verifique que la base está en una posición plana con todos los motores apagados, y desconéctela de la Fuente de poder.

## SEGURIDAD PARA REDUCIR EL RIESGO DE CHOQUE, QUEMADURAS, INCENDIOS O HERIDAS

Para un funcionamiento óptimo y seguro, conecte la base de la cama a un protector de sobrecargas (no incluido). La cama solo debe ser conectada directamente a un tomacorriente o a un protector (altamente recomendable). Siempre debe desconectar la base antes de hacerle servicio a cualquiera de sus partes. Para reducir el riesgo de choques eléctricos, desconecte la base antes de limpiarla. Para una desconexión segura, verifique que la base está en una posición plana con todos los motores apagados, y desconéctela de la fuente de poder.

Mantenga los cables alejados de superficies calientes. Nunca utilice la base cuando las aperturas de aire estén bloqueadas. Mantenga las aperturas de aire libres de pelusa, cabello, etc. No deje caer o inserte nada en ninguna de las aperturas. Descontinúe el uso de la base para camas y contacte a un centro de servicio calificado si: tiene un cable o enchufe dañado, si no está funcionando correctamente, o si ha sido sumergida en agua. Solo utilice esta base para camas de la manera en la que se describe en este manual.

No utilice accesorios que no sean recomendados por el fabricante. Se requiere supervisión cuando la cama sea usada por o cerca de niños, convalecientes, personas o mascotas discapacitadas. Una conexión incorrecta del equipo puede resultar en un riesgo de choque eléctrico, incendios eléctricos o mal funcionamiento de esta base. Si el enchufe no entra en su tomacorrientes, contacte a un electricista calificado para instalar un tomacorrientes apropiado. La modificación no-autorizada o el no utilizar.

## NIÑOS Y MASCOTAS

Deshágase de todos los materiales de embalaje ya que pueden ser un

riesgo de asfixia para niños y mascotas. Para evitar lesiones, se recomienda no permitir que los niños o mascotas jueguen debajo o sobre la cama. Los niños no deberían utilizar la base sin supervisión.

## MARCAPASOS

Algunos productos contienen MAGNETOS de Neodimio, los cuales pueden interferir con dispositivos como marcapasos, DAI's y cualquier otro dispositivo sensible a los campos magnéticos. Es ALTAMENTE recomendado que los usuarios de dichos dispositivos médicos hablen con sus doctores antes de utilizar productos con MAGNETOS de Neodimio. También es posible que algunos marcapasos malinterpreten las funciones de masaje como movimiento/ejercicio. Esto es común en todos los productos que crean movimientos vibratorios y pueden no afectar el marcapasos. Por favor consulte con su doctor antes de utilizar la función de masajes.

### ⚠ ADVERTENCIA

- Mantenga la cama en una posición plana cuando no esté en uso.
- Manténgase alejado de partes en movimiento.
- Antes de hacer ajustes, asegúrese que no haya niño cerca de partes en movimiento o debajo de la base.
- No permite que niños utilicen la base sin supervisión de un adulto.

## USO EN HOGAR Y ESTANDARES HOSPITALARIOS

Las bases para camas Ergomotion son diseñadas para uso puramente hogareño. Esta base no fue diseñada como una cama hospitalaria y no está diseñada para cumplir con estándares hospitalarios. No utilice esta base con equipos de terapia de oxígeno TIPO TIENDA o cerca de gases explosivos.

## FUNCIONES DE SEGURIDAD ADICIONALES

Las rueditas (accesorio opcional para las patas) están equipadas con sistemas de bloqueo para prevenir movimientos indeseados. Incluso si están bloqueadas, es posible que las rueditas se deslicen. Los motores de liberación libre para la cabeza y pies están diseñados para solo moverse con la gravedad, nunca jalando hacia abajo, lo cual minimiza los puntos de fijación.

## ACUSTICA

### MECANISMO DE LEVANTAMIENTO/DESCENSO

La función de levantamiento/descenso emitirá un ligero zumbido cuando este en uso. Esto es normal. Durante el movimiento, las ruedas del brazo elevador pueden entrar en contacto con la plataforma de soporte de la base.

Esto puede resultar en contacto entre metales o metal en plástico. Esto le pone algo de tensión a los componentes en movimiento y la resonancia se reduce a un nivel mínimo. Si se experimentan ruidos o vibraciones excesivas, realice el movimiento contrario (arriba o abajo) de la base con el control remoto. Esto debería realinear los mecanismos de activación de la base a su posición de funcionamiento normal.

## **MATERIALES**

Las bases ajustables Ergomotion son construidas con varios materiales incluyendo maderas, metales, plásticos y telas. La tensión, presión o movimientos aplicados al soporte, plataforma o cubierta puede crear un sonido audible.

## **TOLERANCIA**

Todas las bases ajustables Ergomotions, dependiendo de su marca y modelo, están diseñadas y fabricadas para realizar y funcionar dentro de parámetros control de calidad establecidos. Las bases están sujetas a meticulosas y rigurosas inspecciones durante el proceso de control de calidad para asegurar que las bases funcionaran acorde a estos estándares durante su uso normal. Funcionamiento normal se define como: La base ajustable debe ser operada con un colchón y carga. Los procedimientos de prueba requieren pruebas con cargas distribuidas de hasta 120 kg. El ángulo (designado "a" en la figura 1) entre la sección de la espalda y la sección plana, para las varias configuraciones de la plataforma para colchones, será de  $\pm 3^\circ$ , lo cual se traduce a una tolerancia de hasta  $1\frac{1}{2}''$ .

El ángulo (designado "b" en la figura 1) entre la sección plana y la sección para los pies, para las varias configuraciones de la plataforma para colchones, será de  $\pm 3^\circ$ , lo cual se traduce a una tolerancia de  $\frac{3}{4}''$ . Se considera que cualquier base ajustable que cumpla con estas tolerancias esta cumpliendo con los estándares de calidad del fabricante.

## **ESE OLOR A "PRODUCTO NUEVO"**

Algunas personas notan un leve olor en sus bases ajustables nuevas. Esto puede provenir de nuestro proceso de manufactura de materiales, el olor es normal y a menudo desaparece antes de que el producto llegue a usted. Sin embargo, a veces, este olor aun puede notarse. Usualmente desaparece después de unas semanas, con tal que de que haya una ventilación apropiada del producto y el medioambiente.

## **PERIODO DE ADAPTACION**

Puede acelerar el periodo de adaptación simplemente pasando tiempo en la cama ajustable a través de actividades como la lectura, ver TV o jugando con los niños o nietos. El movimiento adicional hará que la base responda a los cambios de peso y temperatura. Algunos de los materiales en nuestras

bases ajustables, tales como las maderas, metales y plásticos utilizados en la plataforma, soporte y componentes son sensibles a la humedad y la temperatura y puede crear sonidos en ambientes más fríos.

## **FUNCIONAMIENTO EN PAR**

Al usar una configuración de bases en "pares" separados quizás haya un tiempo de espera de hasta 1.5 segundos entre la articulación de cada base.

## **DESGASTE**

El desgaste constituye daños naturales e inevitables que ocurren como resultado del uso normal y del tiempo.

## **CCUIDADO DE TELAS**

Para prolongar la vida de su tela, protéjala de luz solar directa, en lo posible. Para limpiar manchas, pase una esponja húmeda por el área o utilice una aspiradora con un accesorio de cepillo para remover las partículas. Manténgala a un mínimo de 30cm (12 pulgadas) de fuentes de calor directas. Para una limpieza más profunda, tape los derrames líquidos con un paño seco y limpio. Restriegue con un paño humedecido con agua tibia. No lo moje excesivamente. Un cepillo de dientes suaves puede ser utilizado para remover tierra. Evite los rayones cepillando gentilmente. Limpie con un paño limpio humedecido en agua tibia para remover residuos. Séquese en la sombra, lejos de la luz solar directa. Si quedan manchas visibles después de limpiar, busque ayuda profesional.

## **CLASIFICACIONES DEL PRODUCTO:**

Los motores de elevación no están diseñados para funcionar de forma continua durante más de [2] minutos en un periodo de tiempo [18] minutos o aproximadamente en un ciclo de trabajo del 10%. El evitar o exceder esta valoración acortará la vida útil del producto y puede anular la garantía. Los motores de masaje no están diseñados para funcionar de forma continua durante más de 30 minutos a la vez. Por favor, deje que el sistema de masaje descansa 30 minutos después de que el masaje se haya apagado automáticamente antes de reiniciar.

## **IMITES DE USO**

Los motores no están diseñados para funcionar continuamente por más de dos (2) minutos en un periodo de dieciocho (18) minutos o aproximadamente 10% de un ciclo de trabajo. Intentar evitar o exceder este límite acortara la vida útil del producto y puede anular la garantía.

## **LIMITES DE PESO**

Este producto no ha sido diseñado para soportar pesos mayores a 650 libras incluyendo el colchón y la ropa de cama. La base podrá soportar este peso, con tal que este distribuido equitativamente en la base. La base

ajustable no está diseñada para soportar o levantar esta cantidad solo en la parte de la cabeza o de los pies. Exceder esta restricción de peso podría dañar la cama y/o causar lesiones y anula la garantía.

## DEBERES IMPORTANTES

### DEBE:

- Conectar su base ajustable a un protector contra sobrecargas.
- Distribuir el peso equitativamente al dormir en una configuración dividida (una distribución desigual puede hacer que la base se mueven desigualmente).
- Llamar al servicio al cliente si tiene cualquier problema técnico. No intente forzar la base (esto puede dañar los motores o soportes).
- Si se mancha, usar un jabón suave y agua para limpiar su base ajustable.
- Tener en cuenta que se recomienda utilizar colchones ajustables junto a la base ajustable.
- Bajarla a la posición plana (horizontal) después de usarla y entre configuraciones.
- Entrar y salir de su ajustable en la posición plana (horizontal).
- Registrar su garantía tan pronto como su base ajustable haya sido enviada.

### NO DEBE:

- Sentarse en las esquinas o bordes de la base (esto puede doblar el chasis, los travesaños o la gomaespuma).
- Inclinar la base a un lado (esto puede dañar las patas y/o los tornillos de las patas).
- Pararse o saltar en la base ajustable en cualquier momento ( esto puede dañar el chasis y los motores).
- Arrastrar la base para moverla. Compre ruedas si piensa mover su base rutinariamente. (Arrastrar la base podría dañar el chasis, pasar la rosca de los tornillos/tuercas o romper las patas.)
- Entrar o salir de la base ajustable con el cabezal o el soporte para pies en una posición articulada.
- Experimentar o modificar la base.
- Presionar el cabezal o el soporte para pies mientras estén moviéndose, esto puede dañar el chasis y los motores.

### Cumplimiento de la FCC:

Este dispositivo cumple con la Parte 15 de las Regulaciones de la Comisión Federal de Comunicaciones (FCC, en inglés). Su funcionamiento está sujeto a las dos condiciones siguientes: 1) Este dispositivo no puede causar ninguna interferencia perjudicial y 2) Este dispositivo deberá aceptar cualquier interferencia recibida, incluso si la interferencia causa un funcionamiento

indeseado.

Para cumplir los requerimientos sobre exposición humana a la radiofrecuencia (RF) de la FCC, no se permite ningún cambio en la antena o dispositivo. Cualquier cambio en la antena o dispositivo puede provocar que el dispositivo exceda el requerimiento de exposición a la RF y quede anulado el derecho del usuario de operar el dispositivo.

Radiofrecuencia: 2.4 GHz

## Pg. 5 - Lista de Partes

Antes de descartar los materiales de empaque, verifique que tiene todos los componentes.

Todas las partes electrónicas y los componentes que necesitan instalarse están en cajas debajo de la base o adheridos al marco.

- A) Control Remoto Inalámbrico y Baterías AAA (3)
- B) Barra de Retención para Colchones\*
- C) Patas (4) y Arandelas para Patas(4)
- D) Cable de Alimentación
- E) Fuente de Poder
- F) Caja de Batería de Reserva
- G) Correa Conectora<sup>‡</sup>
- H) Cable SmartSync™<sup>‡</sup>
- I) Manual
- J) Garantía
- K) Guía de instalación rápida

Partes Misceláneas (no incluidas):

Soportes para el Cabezal  
Protector contra Sobrecargas  
Baterías de 9 voltios (2)

\* Estos componentes están adjuntos a la base para propósitos de envío.

Retírelos de la base con cuidado y sepárelos.

<sup>‡</sup> Solo se incluyen con las individuales, individuales largas, Queen Dividida y Cal King Dividida.

## Pg. 6 - Resumen de Base

**La base:**

Head motor = **Motor de la cabecera**

Foot motor = **Motor de los pies**

Control box = **Caja de control**

## Pg. 7 - Guía de Referencia Rápida

No está a escala. Este diagrama solo tiene propósitos ilustrativos. Lea las

instrucciones antes de comenzar la instalación.

**RESUMEN DE LA CAJA DE CONTROL** (Izquierda a Derecha)

Power Down Box port = **Entrada Para Batería Reserva**

Input Cord Connection = **Entrada para Cable de Poder**

Foot Motor Port = **Entrada Motor Para Pies**

Head Motor Port = **Entrada Motor Cabeza**

Para retirar la caja de control, quite el gancho de metal y desconecte los enchufes.

**RESUMEN DE ELECTRONICA**

(Las agujas del reloj desde la parte superior)

Head motor = **Motor para Cabecera**

Foot motor = **Motor para Pies**

Control box = **Caja de control**

Wireless Remote = **Control Remoto Inalambrico**

Input Power Cord = **Cable Elec. Entrada**

Power Supply = **Fuente Poder**

Power Cord = **Cable de electricidad**

Battery Backup Strap = **Sangle de Batería de Reserva**

## Pg. 8 - Guía de Instalación

Siempre cuente con dos personas para instalar, mover o voltear la base.

**PASO 1:** Coloque la caja de la base de la cama en el lugar deseado, con la parte de debajo de la cama para arriba.

## ⚠ ADVERTENCIA

Siempre desconecte la base del tomacorrientes antes de hacerle servicio a cualquiera de sus partes. Para reducir el riesgo de choque eléctrico, desconecte la base antes de limpiarla. Para desconectarla de manera segura, verifique que la base está en una posición plana con todos los motores apagados, y desconéctela de la Fuente de poder.

Quite las cintas de seguridad y los materiales de empaque con cuidado de no perforar la caja con algún objeto afilado.

**PASO 2:** Saque la base de la cama de la caja, manteniendo la parte inferior de la base hacia arriba.

**PASO 3:** Para instalar las patas, enrosque la arandela sobre la tuerca de la pata, con la parte hueca virada hacia la pata, y ajuste con la mano. No apriete demasiado.

**PASO 4:** Desenrosque la Caja con Baterías de Reserva del marco y colóquela en el piso. Asegúrese que sea de fácil acceso cuando la base esté en la posición elevada.

**PASO 5:** Desenrosque el cable de entrada (conectado al puerto de energía

de la caja de control) y conéctelo a la Fuente de Poder.

**PASO 6:** Desenrosque el Cable de Poder y Conéctelo a la Fuente de Poder. Ponga la fuente de poder en el piso y extiéndala desde la base. Verifique que la fuente de energía y todos los cables relacionados con esta vayan directamente hacia el protector de sobrecargas deseado.

## Pg. 9 - Guía de Instalación

**PASO 7:** Voltee la base y póngala con las patas sobre el piso.

Importante: Se requieren dos personas para mover la base de la cama. No la arrastre por el piso. No deje que el marco descansa de lado ya que excesiva presión puede dañar las patas.

**PASO 8:** Conecte la base a una fuente de poder. Un protector de sobrecargas es altamente recomendado.

**PASO 9:** Asegúrese que las baterías han sido colocadas correctamente en la parte trasera del control remoto. Revise rápidamente las funciones para verificar que la instalación es correcta antes de poner el colchón sobre la base. Presione plano para regresar la base a la posición horizontal.

**PASO 10:** Deslizar el lado izquierdo de la barra de retención para colchones en su soporte. Tire de la barra de retención en el soporte opuesto y hacia la derecha.

## Pg. 10 - Control remoto: RESUMEN DEL CONTROL REMOTO

▲▼ Eleva y baja la cabecer de la base.

▲▼ Eleva y baja los pies de la base.

**ZeroG** = Pos. Zero-G

= Botón de masaje



## Pg. 11 - Sincronización de Control Remoto

El control remoto que viene en la caja ya está sincronizado con la base de la cama.

No se requieren acciones adicionales.

En caso que el remoto no esté sincronizado con la base, siga los siguientes pasos.

Si el remoto no estuviera sincronizado a la base, siga los pasos siguientes:

**PASO 1:** Retire la tapa del control remoto. Saque las baterías y cámbielas.

**PASO 2:** Mantenga presionado el botón que está detrás del control remoto. La luz empezará a parpadear y después se volverá continua.

**PASO 3:** Presione el botón de la batería de reserva dos veces (esto no hará que la base se mueva). La luz se encenderá.

**PASO 4:** La luz del generador auxiliar de corriente y la luz del remoto serán continuas y luego ambas seLa luz de la Batería de Reserva y la luz

del remoto serán continuas y luego ambas se apagaran al mismo tiempo. Vuélvale a poner la tapa al control remoto.

Ahora el control remoto y la base están sincronizados.

Si la bacteria de reserve no esta disponible, presione el boton de reinicio en la caja de control. La luz LED de sincronización en la caja de control comenzara a parpadear. Mantenga presionado el botón que esta detrás del remoto, el cual comenzara a parpadear. Ambas luces se volverán continuas y luego se apagaran.

## **Pg. 12 - Sincronizar Dos Bases (opcional)**

Se incluye un cable de sincronización con la base. No está disponible para las bases tamaño Queen, Full, Full-Largo, o King Dividido. El cable de sincronización conecta las dos cajas de control a un solo control remoto para la sincronización de dos bases.

**PASO 1:** Desconecte las bases de los tomacorrientes.

**PASO 2:** Desconecte el cable de la bacteria de Reserva de cada Caja de Control o cable splitter. Recuerde esta desconexión.

**PASO 3:** Conecte el macho de cada Cable de Sincronización a la Caja de Control o cable splitter. Insértelo en el mismo puerto donde desconecto la Bateria de Reserva.

**PASO 4:** Conecte cada conexión macho de las Baterías de Resera a la conexión hembra del Cable de Sincronización (guíese por la imagen a la derecha).

**PASO 5:** Vuelva a conectar las bases a sus tomacorrientes.

**PASO 6:** Verifique que todos los cables estén conectados correctamente. Ahora ambos remotos controlaran las bases simultáneamente.

El sistema ahora esta sincronizado. Ahora ambos remotos funcionaran en las dos bases.

## **NOTAS DE FUNCIONAMIENTO**

Si las bases se pierden su sincronización, presionar el botón FLAT hará que las posiciones se vuelvan a sincronizar.

**Pg. 13 - Sincronización de dos bases:** Cuando se utiliza una configuración sincronizada con dos bases, cada mando a distancia puede emparejarse a ambas bases. El emparejamiento a ambas bases permitirá que los controles remotos controlen cada base individualmente o ambas simultáneamente. Para activar el funcionamiento del conmutador y acoplarlo a ambas bases, siga los pasos que se indican a continuación.

**PASO 1:** Localice la caja de desconexión conectada a la base y presione el botón DOS VECES. Se encenderá una luz en la caja de respaldo de la batería.

**PASO 2:** Retire la cubierta posterior del control remoto y presione y mantenga presionado el botón PAIR. El botón PAIR se iluminará en azul y comenzará a parpadear. Cuando el botón PAIR deje de parpadear, la luz iluminada en la caja de respaldo de batería se apagará. Suelte el botón PAIR. El mando a distancia ahora está sincronizado.

**PASO 3:** Después de que el control remoto esté emparejado, presione los siguientes botones al mismo tiempo: Head Up, Head Down, Foot Up y Foot Down.

El cuadro de desconexión parpadeará 4 veces seguidas para confirmar el emparejamiento exitoso.

La base apareada en los pasos 1 y 2 es la base B. La base secundaria es ahora la cama A.

**PASO 4:** Para emparejar el otro mando a distancia con la otra caja de control y activar el funcionamiento del conmutador para ambos mandos a distancia, repita los pasos 1 a 3 utilizando el otro mando a distancia en la base A.

**PASO 5:** Mueva el interruptor deslizante en la parte posterior del control remoto a la cama de control A (deslice hacia la izquierda), la cama B (deslice hacia la derecha) o las dos camas A y B simultáneamente (deslice el interruptor a la mitad).

## **Pg. 14 - Sangle de Bateria de Reserva**

Coloque la Sangle Para Baterías de Reserva en un lugar accesible debajo de la cama para usos de emergencia

Se requieren dos (2) baterías de 9 voltios para operar la función de Reserva y NO están incluidas.

### **RESUMEN**

En caso que la base se quede atascada en una posición articulada durante un corte de energía, las baterías de reserva devolverán la base a la posición PLANA.

Las baterías no deben ser usadas para el funcionamiento normal de la base.  
**PASO 1:** Desconecte la fuente de alimentación del cable de alimentación de entrada.

**PASO 2:** Conecte la correa de respaldo de la batería a las (2) baterías alcalinas de 9 voltios. No mezcle baterías de marca.

**PASO 3:** Conecte el extremo de la correa de respaldo de la batería al cable de alimentación de entrada que está conectado a la caja de control.



**Nota:** Retire la correa de respaldo de la batería después de que finalice la emergencia, ya que el sistema continuará consumiendo energía de las baterías incluso si no está en uso.

Battery Backup Strap = **Sangle de Batería de Reserva**  
Control box = **Caja de Control**

## **Pg. 15 - Correa Conectora (opcional)**

Si se está instalando una configuración dividida (excluyendo el King Dividido), se proporcionan correas de conexión de plástico (una por base) para asegurar las dos bases. Utilice ambas correas para fijar las secciones de la cabeza y los pies.

**PASO 1:** Con las bases en la ubicación deseada, afloje ligeramente ambas patas para que la correa pueda entrar en el perno de la pata, entre la arandela y el marco.

**PASO 2:** Deslice el lado (a) de la correa en el perno de la pata. Gire la correa y conecte el lado (b) al perno de la pata. Asegure la correa moviéndola hacia la izquierda.

**PASO 3:** Vuelva a apretar las patas. No apriete demasiado. Use la correa restante para repetir el procedimiento del otro lado de la base.

## **Pg. 16 - Soporte para Cabeza (no incluido)**

Los soportes para la cabeza son accesorios opcionales que no están incluidos. Un conector y llave inglesa de 9/16" y 1/2" son necesarios para realizar la instalación.

### **PASO 1:**

**a.)** Alinee el agujero en el soporte al tubo de latón donde se enroscan las patas. Sostenga el soporte en su lugar y atornille la pata en la base hasta que quede ajustado. **NO AJUSTE DEMASIADO.** El exceso de fuerza puede hacer que la pata gire libremente.

**b.)** Alinee la pestaña con el agujero en el marco (que se encuentra hacia el pie de la base) y use un perno y tuerca pequeña para asegurar el soporte. Asegúrese que el perno este apretado.

**PASO 2:** Coloque el espaciador y Soporte-T.

**a.)** Mida la distancia entre los orificios de montaje en la cabecera e instale el espaciador y la placa de fijación para dar cabida a la cabecera.

**b.)** Para instalar el separador de plástico y placa de fijación, necesitará dos (2) pernos largos y dos (2) tuercas. Coloque el espaciador y la placa de fijación en la ubicación deseada y deslice los pernos a través de los agujeros con la cabeza del perno hacia afuera. Coloque los tornillos diagonalmente en el separador. Utilice el conector y llave de 9/16" para apretar los pernos.

**PASO 3:** Ahora puede conectar el cabezal a las placas de fijación usando los pernos pequeños y las tuercas restantes para asegurarlo a los soportes. Las cabezas de los tornillos deben estar hacia afuera. Utilice un conector de 9/16" y

una llave de 1/2" para apretar los tornillos.

## **Pg. 17 - Resolución de Problemas**

Si una o más funciones de la base ha dejado de funcionar:

- Revise debajo de la base para verificar que el cableado este bien y que no hayan cables o sabanas obstruyendo el movimiento de la base.
- Compruebe que la luz de la caja de control está encendida. Si no, verifique que los cables estén correctamente conectados.
- Desconecta la base durante 1 hora para restablecer los componentes electrónicos.
- Enchufe la base a un tomacorrientes diferente, o pruebe el tomacorrientes actual con otro electrónico (se recomienda una conexión a tierra junto a un protector contra sobrecargas).
- Retire y reemplace las baterías del control remoto y vuelva a sincronizarlo con la base (vea pagina 11).

Si el problema no se resuelve siguiendo las instrucciones anteriores, localice el número de serie en la tarjeta de garantía, manual o parte posterior del control remoto y llame al:

**Servicio al Cliente Ergomotion: US 1-888-550-3746**

## AVERTISSEMENT

- Garder toujours le lit en position à plat lorsqu'il ne sert pas.
- Restez à l'écart des pièces mobiles en mouvement.
- Avant d'actionner le mécanisme du lit, assurez-vous que les enfants et les animaux sont tenus à l'écart de la base du lit.
- Ne pas laisser les enfants utiliser la base de lit sans la supervision d'un adulte .

### SÉCURITÉ

#### POUR RÉDUIRE LE RISQUE DE DÉCHARGES ÉLECTRIQUES, BRÛLURES, FEU, OU BLESSURES :

Pour l'opération et la sécurité optimales, branchez le sommier dans une barre d'alimentation contre les surtensions. Le sommier devrait seulement être branché directement dans une prise murale ou dans une barre d'alimentation contre les surtensions (fortement recommandé). Débranchez toujours de la prise avant d'assurer l'entretien de toute partie du sommier. Pour réduire le risque de décharges électriques, débranchez toujours le sommier avant de le nettoyer. Pour bien le débrancher, assurez-vous que la base se trouve en position neutre et à plat avec tous les moteurs éteints et débranchez-le de la source d'énergie. Gardez le cordon d'alimentation loin des surfaces chauffées. N'utilisez jamais le sommier quand les entrées d'air sont bloquées. Gardez les entrées d'air sans peluches, cheveux ou toute autre matière. Ne laissez tomber ni insérez aucun objet dans les ouvertures. Cessez l'emploi du sommier et contactez un centre de service qualifié si le sommier a un fil électrique ou une prise endommagé, s'il ne fonctionne pas correctement, ou s'il est tombé dans l'eau. Utilisez ce sommier seulement pour son usage prévu comme désigné dans ce manuel. N'employez pas d'accessoires ni pièces additionnelles qui ne sont pas recommandés par le fabricant. La surveillance étroite est nécessaire quand le sommier est utilisé par ou près des enfants, convalescents, personnes infirmes ou animaux domestiques. Un branchement incorrect de l'équipement peut amener un risque de décharge électrique, feu électrique ou une mauvaise utilisation de ce sommier. Si la prise du sommier n'est pas de bonne taille pour votre prise murale, contactez un électricien qualifié en faire l'installation. La modification non autorisée du sommier, la non-conformité d'une prise ou l'absence de barre d'alimentation contre les surtensions

pourrait rendre nulle la section électrique de votre garantie.

#### ANIMAUX DOMESTIQUES ET ENFANTS :

Jetez immédiatement toutes les matières d'emballage comme elles peuvent poser un risque d'étouffement pour les jeunes enfants et animaux domestiques. Pour éviter les blessures, il est déconseillé de permettre aux enfants et petits animaux de jouer sur ou sous le lit. Les enfants ne devraient pas opérer le sommier sans la supervision d'un adulte.

#### STIMULATEURS CARDIAQUES :

Quelques produits contiennent les aimants Neodymium qui pourraient interférer avec des appareils tels que les stimulateurs cardiaques, les défibrillateurs implantables et tout autre appareil sensible aux champs magnétiques. Il est **FORTEMENT** recommandé que les propriétaires de tels appareils médicaux consultent leur médecin avant d'utiliser les produits qui contiennent les aimants Neodymium. Il est aussi possible que certains stimulateurs cardiaques puissent mal interpréter les vibrations de la fonction massage comme du mouvement/de l'exercice. C'est un résultat fréquent avec tout produit qui crée un mouvement de vibration et peut également ne pas affecter le stimulateur cardiaque. Veuillez consulter votre médecin avant d'utiliser la fonction massage.

#### UTILISATION À DOMICILE :

Les sommiers ajustables Ergomotion sont conçus seulement pour l'utilisation à domicile. Ce sommier n'a pas été conçu comme lit d'hôpital et n'est pas conçu pour satisfaire les normes hospitalières. N'employez pas ce sommier avec de l'équipement de thérapie d'oxygène TENT TYPE ou près de gaz explosifs.

#### CARACTÉRISTIQUES DE SÉCURITÉ SUPPLÉMENTAIRES :

Les roulettes (accessoires de pied facultatifs) sont équipées de roues

bloquantes pour éviter le mouvement involontaire. Même lorsque verrouillées et bloquées, il est possible que les roulettes glissent. Les moteurs d'abaissement de la tête et des pieds sont conçus pour baisser le matelas, se rétractant seulement par la force de la gravité, jamais en tirant vers le bas, minimisant les points de pincement.

#### ACOUSTIQUE

#### MÉCANISMES DE LEVAGE/D'ABAISSEMENT

La fonction de levage et d'abaissement émettra un faible vrombissement lors de l'opération. Ce bruit est normal. Pendant l'opération, les roues de levage de bras entrent en contact avec le support du sommier. Ce contact peut occasionner un contact entre métaux ou entre métal et plastique, ce qui apporte une légère tension sur les composantes mobiles. La résonance est aussi réduite à un

niveau minimal. Si un bruit excessif ou une vibration sont remarqués, inversez le mouvement du sommier (vers le haut ou vers le bas) avec la télécommande. Ceci devrait réaligner les mécanismes d'activation du sommier à la bonne position d'opération. Lors de l'emploi normal du sommier, les roues – qui permettent au lit d'être à une certaine distance du mur – entreront en contact avec le support du sommier en acier, ce qui créera un bruit de contact. En entrant, en sortant ou en transférant son poids sur le lit, on peut entendre ce bruit de contact des roues qui touchent le support du sommier. Ce bruit est normal.

## MATÉRIAUX

Les sommiers ajustables Ergomotion sont fabriqués avec divers matériaux, y compris du bois, des métaux, des plastiques et des tissus. La tension, la pression ou le mouvement appliqués au cadre, au support ou à la couverture lors de son utilisation générale peuvent créer un son audible.

## FONCTION MASSAGE ET ENVIRONNEMENT D'EMPLACEMENT

La fonction massage émettra une alerte sonore lors de l'usage. Ce bruit est normal. Quand le niveau d'intensité du massage augmente, le son s'intensifiera. Le volume de cette alerte est directement lié à l'environnement d'emplacement. Par exemple, pendant une démonstration de fonctionnement dans une salle d'exposition, le bruit environnant couvrira une partie du bruit du massage. Par contre, lorsque le lit est installé à domicile avec un parquet, avec un tapis ou non, le volume du massage sera plus ou moins perceptible. Pour minimiser le bruit, mettez un tapis ou des feutres pour roulettes en caoutchouc en dessous de chaque pied ou roulettes du sommier. Il est possible de remarquer une vibration ou un bruit de l'extérieur du sommier, des supports de la tête de lit, des têtes de lit, ou des pieds de lit si les boulons de montage ne sont pas fermement serrés.

Les niveaux 1-6 d'intensité du massage correspondent aux révolutions du moteur par minute. Le niveau 6 donne le nombre maximum de tours par minute. Cependant, ceci ne veut pas dire que la sensation de vibration est la plus forte. Selon le matériau du matelas, l'épaisseur et la position de l'utilisateur, les sensations de vibration différeront. Nous encourageons l'utilisateur à trouver l'intensité du massage qui lui convient le mieux. Il est important de comprendre les propriétés physiques des vibrations. Un moteur seul peut fonctionner de façon irrégulière à l'arrêt, mais comme le nombre de tours par minute augmente, les vibrations changent simultanément.

## TOLÉRANCE

Tous les sommiers ajustables Ergomotion, selon leur marque et modèle, sont conçus et fabriqués pour fonctionner selon des paramètres précis de contrôle de qualité. Les sommiers sont sujets aux inspections méticuleuses et rigoureuses

pendant notre processus de contrôle de qualité pour nous assurer que les sommiers fonctionneront selon les normes exigées lors d'un usage normal. L'usage normal est défini tel que suit : la fondation ajustable doit être opérée avec un matelas et un poids. Les processus de test requièrent des tests de cycle de durée de vie avec un poids allant jusqu'à 120 kilos distribués équitablement. L'angle (désignée par « a » dans la figure 1) entre la section arrière et la section plate pour les diverses configurations du matelas/du support devraient être à  $\pm 3^\circ$ , ce qui se traduit en une tolérance de jusqu'à  $1\frac{1}{2}''$ .

L'angle (désigné par « B » dans la figure 1) entre la section plate et la section de pied, pour les diverses configurations du matelas et du support, devrait être à  $\pm 3^\circ$ , ce qui se traduit en une tolérance de jusqu'à  $1\frac{1}{2}''$ .

Toute fondation ajustable jugée compatible avec ces tolérances allouées est considérée comme satisfaisante par rapport aux contrôles de qualité du fabricant.

## L'ODEUR DU NOUVEAU PRODUIT

Certaines personnes remarquent une légère odeur avec leur nouveau sommier ajustable – ceci peut venir de notre processus de fabrication. Cette odeur est normale et disparaît habituellement avant que le produit ne vous parvienne. Cependant, cette odeur peut parfois encore être sentie. Normalement elle disparaît après quelques semaines avec une ventilation adéquate du produit et de l'environnement.

## PÉRIODE DE RODAGE

Vous pouvez accélérer la période de rodage en passant du temps sur votre lit ajustable avec des activités telles que lire, regarder la télévision ou jouer avec les enfants ou les petits-enfants. Ce mouvement supplémentaire aidera le sommier ajustable à répondre au poids et aux changements de température. Certains des matériaux dans nos sommiers ajustables, comme les bois, les métaux, et les plastiques dans la plate-forme, le cadre et les composantes sont sensibles à la teneur d'humidité et à la température et peuvent ainsi faire de bruit dans des environnements frais.

## EMPLOI EN PAIRE

Lors de l'emploi avec une installation de sommier divisée en deux, il se peut qu'il y ait un temps de latence allant jusqu'à 1,5 seconde entre les articulations de chaque sommier.

## USURE NORMALE

L'usure normale correspond à l'endommagement qui arrive naturellement et inévitablement comme un résultat de l'emploi normal ou du vieillissement.

## ENTRETIEN DU TISSU

Pour prolonger la vie de votre tissu, protégez-le de la lumière directe du soleil autant que possible. Pour nettoyer de petites taches, essuyez-les avec une éponge légèrement humide ou passez l'aspirateur avec un adaptateur de brosse douce pour enlever les particules. Gardez au minimum à une distance de 30 cm (12 pouces) des sources directes de chaleur. Pour nettoyer plus profondément, épongez les liquides avec un chiffon sec et propre. N'humectez pas excessivement. Une brosse en soie douce peut aussi être utilisée pour enlever les saletés incrustées. Brossez doucement pour éviter les égratignures. Essuyez avec un chiffon propre et humide avec de l'eau chaude pour enlever les résidus. Séchez à l'ombre loin de la chaleur directe. Si les tâches persistent après le nettoyage, consultez un professionnel.

## CLASSIFICATION DU PRODUIT

Les moteurs de levage ne sont pas conçus pour opérer de manière continue pour plus que [2] minutes pendant une période de [18] minutes ou environ 10 % du cycle de service. Des efforts pour circonvier ou excéder cette classification rendront plus courte l'espérance de vie du produit et pourraient annuler la garantie. Les moteurs de massage ne sont pas conçus pour opérer de manière continue pendant plus que 30 minutes à la fois. Veuillez permettre au système de massage une pause de 30 minutes après l'arrêt automatique du massage avant de recommencer.

## LIMITES DE POIDS

Ce produit n'est pas classé pour soutenir des poids excédant 650 livres (295 kilos) , ce qui inclut le matelas et la literie. Le sommier soutiendra structurellement ce poids, tant qu'il est distribué également sur tout le sommier. Le sommier ajustable n'est pas conçu pour soutenir ou lever ce poids dans la section tête ou pied seulement. Excéder cette restriction de poids pourrait endommager le lit ou blesser l'utilisateur et pourrait rendre nulle la garantie.

## À FAIRE ET À NE PAS FAIRE

### À FAIRE

- Branchez votre sommier ajustable dans une barre d'alimentation contre les surtensions.
- Distribuez le poids de manière égale dans le cas d'une installation double. Une distribution inégale du poids peut amener le sommier à s'élever inégalement.
- Appelez le service à la clientèle pour tout problème technique. N'essayez pas de forcer le sommier à s'abaisser ; ceci pourrait endommager les moteurs ou le cadre.

- Utilisez un savon doux et de l'eau pour nettoyer votre sommier ajustable s'il est taché.
- Sachez que les sommiers ajustables sont recommandés pour être utilisés avec des matelas qui sont ajustables
- Baissez à la position neutre (horizontale) après l'emploi et entre les pré réglages.
- Inscrivez votre garantie aussitôt que votre sommier ajustable est livré.

### À NE PAS FAIRE

- Ne vous asseyez pas sur les coins du sommier; ceci pourrait déformer le cadre, les supports, ou la mousse.
- Ne penchez pas le sommier sur le côté. Ceci pourrait endommager les pieds ou les boulons.
- Ne vous mettez jamais debout et ne sautez jamais sur le sommier ajustable; ceci peut endommager le cadre et les moteurs.
- Ne tirez pas sur le sommier pour le déménager. Ceci pourrait endommager le cadre, les boulons ou casser les pieds. Achetez des roulettes si vous prévoyez souvent déménager votre sommier.
- Ne montez pas sur le sommier ajustable et n'en descendez pas avec la tête ou le pied dans la position articulée; montez sur le sommier ajustable et descendez-en dans la position neutre (horizontale).
- Ne modifiez pas le sommier. Ceci annulera la garantie.
- N'appuyez pas sur la tête ni sur le pied pendant l'opération, car ceci peut endommager le cadre et les moteurs.

## Déclaration de Certification FCC

Cet appareil est conforme à la Partie 15 des règles de la FCC. Le fonctionnement de cet appareil est soumis aux deux conditions suivantes: (1) l'appareil ne doit pas causer d'interférences nuisibles et (2) l'appareil doit accepter toute interférence qui pourrait causer un mauvais fonctionnement.

### Interférence Radio et de la Télévision

Cet appareil a été testé et jugé conforme aux limites d'un dispositif numérique de Classe B, conformément à la Partie 15 des règles de la FCC. Ces limites sont conçues pour fournir une protection raisonnable contre les interférences nuisibles dans une installation résidentielle. Cet appareil génère, utilise et peut émettre de l'énergie radiofréquence (RF). Si l'appareil n'est pas installé et utilisé conformément aux instructions, l'appareil peut provoquer des interférences dans les communications radio. Rien ne garantit, cependant, que de telles interférences ne se produisent pas dans une installation particulière. Si cet appareil provoque des interférences nuisibles à la réception radio ou télévision (ce qui peut être

déterminé en allumant et éteignant l'appareil), l'utilisateur est encouragé à essayer de corriger les interférences en prenant une ou plusieurs des mesures suivantes:

- Déplacez l'appareil
- Augmenter la séparation entre l'appareil et le récepteur
- Connecter l'appareil à une prise sur un circuit différent de celui des autres appareils électroniques
- Consulter le revendeur ou un technicien radio expérimenté.

Important: Tous changements ou modifications non expressément approuvés par Serta Simmons Bedding, LLC («SSB») pourraient annuler la conformité EMC et vous interdire l'utilisation de cet appareil.

Cet appareil a été testé pour la conformité FCC dans des conditions qui incluent l'utilisation de dispositifs périphériques SSB et câbles SSB et connecteurs entre les composants du système. Il est important que vous utilisiez les câbles et connecteurs SSB entre les composants du système pour réduire la possibilité d'interférences sur les radios, téléviseurs et autres appareils électroniques. Vous pouvez obtenir des câbles et connecteurs SSB appropriés auprès d'un revendeur SSB autorisé.

Partie responsable (contacter pour les questions de la FCC uniquement)  
Serta Simmons Bedding, LLC Corporate Compliance  
One Concourse Pkwy, Ste. 800  
Atlanta, GA 30328  
FCC ID: 2AF2O-STS-10  
Contient FCC ID: H8N-WLL6540

#### **Déclaration de conformité aux normes d'Industrie Canada**

Cet appareil est conforme aux normes CNR exemptes de licence d'Industrie Canada. Le fonctionnement est soumis aux deux conditions suivantes : (1) cet appareil ne doit pas provoquer d'interférences et (2) cet appareil doit accepter toute interférence, y compris celles susceptibles de provoquer un fonctionnement non souhaité de l'appareil.

Cet appareil numérique de la classe B est conforme à la norme NMB-003 d'Industrie Canada.

IC: 20700-STS10

Contient IC: 1353A-WLL6540

Exposition aux radiofréquences

Cet appareil est conforme à la norme CNR-102 d'Industrie Canada pour un environnement non contrôlé. Cet appareil doit être installé et opéré à une distance minimale de 20cm entre le transmetteur et le corps humain. Cet appareil ne doit

pas être co-localisé ou opéré avec une autre antenne ou un autre transmetteur.

#### Pg. 5 - Liste de pièces

Avant de jeter le matériel d'emballage - s'assurer que toutes les pièces soient comptabilisées.

Tous les produits électroniques et composants qui doivent être installés se trouvent dans des casiers sous la base ou fixés au châssis.

A) Télécommande sans fil et piles AAA (3)

B) Barre de retenue de matelas\*

C) Pattes (4)

Pattes (6) et les rondelles de patte (6) – King divisé

D) Cordon d'alimentation

E) Bloc d'alimentation

F) Sangle de batterie de secours

G) Sangle de raccordement

H) SmartSync™ corde†

I) Manuelle

J) Garantie

K) Guide d'installation rapide

Div. Pièces (non incluses) :

Protecteur de surtension des supports de tête de lit

Piles de 9 volts (2)

\* Ces éléments sont attachés à la base aux fins d'expédition. Enlever de la base avec précaution et les mettre de côté.

† Inclus seulement avec les bases divisées Twin Long et Cal King avec bases divisées.. Pas inclus avec le King divisé.

#### Pg. 6 - Aperçu de base et à distance

(A partir de la boîte en haut à droite et continuant dans le sens horaire autour de l'image)

Sur la base:

Head Motor = Moteur de la tête

Battery Backup Strap = Sangle de batterie de secours

Foot Motor = Moteur du pied

Control Box = Boîte de contrôle

Pg. 7 - Guide de référence rapide

Pas à l'échelle. Pour des fins d'illustration uniquement. Lire toutes les instructions avant de commencer l'installation.

(A partir de la boîte en haut à droite et continuant dans le sens horaire autour de l'image)

Aperçue de la boîte de contrôle

Wired Remote Port = Éteindre                      Alimentation Port de la boîte

Power LED Light = Voyant

Input Cord Connection = Puissance d'entrée

Foot motor Port = Moteur du pied de connexion

Head Motor Port = Moteur de la tête de connexion

Pour déposer la boîte de commande, relâchez le clip métallique et débranchez les cordons.

Aperçu de l'électronique

(A partir de la boîte en haut à droite et continuant dans le sens horaire autour de l'image)

Head Motor = Moteur de la tête

Foot Motor = Moteur du pied

Control Box = Boîte de commande

Wireless Remote = Sans fil Télécommande

Input Power Cord = Corde d'entrée

Battery Backup Strap = Sangle de batterie de secours

Power Supply = Alimentation électrique

Power Cord = Cordon d'alimentation

Si vous installez une unité divisée (excluant la king divisée)- voir page 12-13..

Pg. 8 - Guide d'installation

Toujours faire appel à deux personnes lors de la configuration de la base.

Étape 1: Placez la boîte de la base du lit dans un emplacement de votre choix avec le fond de la boîte vers le haut.

Déposer les sangles de fixation et des matériaux d'emballage, en veillant à ne pas

perforer la boîte avec des objets tranchants.

Étape 2: Enlever la base de lit de la boîte, puis faire en sorte que la partie inférieure de la base soit vers le haut.

Étape 3: Pour installer les pattes, vissez la rondelle au-dessus de la vis sur la patte. Ensuite, visser la patte dans l'insertion de l'écrou sur le châssis. Ne pas trop serrer. Les pattes 3-en-1 se détordent en sections séparées pour les options de hauteur de la patte.

Étape 4: Déroulez la boîte de désactivation du châssis et placez la boîte sur le sol. S'assurer qu'elle est aisément accessible lorsque la base est tournée à la position verticale.

Étape 5: Déroulez la corde d'entrée (connectée au port d'alimentation sur la boîte de contrôle) et branchez-la dans l'alimentation électrique. Pour service consommateurs, allez au site web [www.ergomotion.com](http://www.ergomotion.com) ou appelez le numéro vert : 1-888-550-3746

Étape 5: Déroulez le cordon d'entrée (connecté au port du boîtier de commande) et branchez-le dans l'alimentation électrique.

Étape 6: Déroulez le cordon d'alimentation et branchez-le dans l'alimentation électrique. Placez l'alimentation électrique par terre et rallongez-la de la base. Assurez-vous que l'alimentation électrique et tous les fils attachés se dirigent vers la multiprise.

Pour service consommateurs, allez au site web [www.ergomotion.com](http://www.ergomotion.com) ou appelez le numéro vert : 1-888-550-3746

Pg. 9 - Guide d'installation

Étape 7: Tournez soigneusement la base sur ses pattes. Important : Toujours faire appel à deux personnes lors de l'installation ou lorsque vous tournez la base Ne pas glisser sur le plancher. Ne laissez pas le châssis sur le côté, une pression excessive risque d'endommager les pattes.

Étape 8: Branchez le cordon d'alimentation à une source d'alimentation. Un protecteur de surtension est fortement recommandé.

Étape 9: S'assurer que les piles sont correctement installées dans l'arrière de la télécommande.

Tester rapidement des fonctions à distance afin de vérifier la configuration avant de placer le matelas sur la base. Appuyez sur PLAT pour retourner la base à sa position à plat.

Étape 10: Faites glisser le côté gauche de la barre de retenue du matelas dans le support. Tirez la barre de retenue vers l'autre support et fixez le côté droit.

L'installation Élémentaire Est Complète.

Pour contacter l'assistance clientèle, visitez [ergomotion.com](http://ergomotion.com) ou appelez le : 1-888-550-3746

Pg. 10 - télécommande

Trois (3) piles AAA sont nécessaires pour faire fonctionner la télécommande.

Télécommande filaire:

▲▼ S'élève et s'abaisse portion de la tête de la base.

▲▼ S'élève et s'abaisse portion du pied de la base.

**ZERO G** Position à ZERO-G®



Le bouton de massage

Pg. 11 - Jumelage de la télécommande

La télécommande d'origine qui est livrée avec l'assemblage est déjà couplée à la base de lit.

Aucune action supplémentaire n'est requise.

Si la télécommande n'est pas couplée à la base, suivez les étapes ci-dessous.

Étape 1: Retirer le couvercle arrière de la télécommande. Retirez et remplacez les piles.

Étape 2: Cliquez deux fois sur le bouton de la Sangle de batterie de secours (la base ne bougera pas lors de cette évolution). Le témoin s'allume.

Étape 3: Appuyez sur le bouton à l'arrière de la télécommande et le maintenir enfoncé. Le voyant commence à clignoter pour ensuite devenir constant.

Étape 4: Les deux voyants sur la Sangle de batterie de secours et la télécommande seront constants, puis s'éteint en même temps. Replacer le couvercle arrière de la télécommande.

La télécommande est maintenant jumelée avec la base.

Si la Sangle de batterie de secours n'est pas disponible - appuyez sur le bouton de réinitialisation situé sur le boîtier de commande. Le voyant d'appariement sur le boîtier de commande s'illuminera. Appuyez et maintenez enfoncée le bouton de l'arrière de la télécommande, le bouton clignotera immédiatement. Les deux voyants seront alors constants et s'éteindront en même temps.

Pg.12-13 - La synchronisation des deux bases (facultatif)

Un cordon de synchronisation est inclus avec la base. Non disponible pour les bases de grandeur Queen, pleine, de taille entière ou pour les bases King divisées. Le cordon de synchronisation relie les deux boîtes de commande à une seule télécommande pour la synchronisation des deux bases.

ÉTAPE 1: Débranchez les bases de la source d'alimentation.

ÉTAPE 2: Débrancher le câble de la Sangle de batterie de secours ou du câble séparateur. Notez l'endroit où le câble était branché.

ÉTAPE 3: Connectez l'extrémité mâle de chaque cordon de synchronisation du boîtier de commande ou du répartiteur câble. L'insérer dans le même port que vous avez précédemment débranché l'alimentation de la Sangle de batterie de secours de l'étape 2.

ÉTAPE 4: Connectez chaque connexion mâle de la Sangle de batterie de secours au raccord femelle du cordon de synchronisation (reportez-vous à l'illustration ci-dessous).

ÉTAPE 5: Branchez les bases à la source d'alimentation.

ÉTAPE 6: Vérifiez que tous les câbles sont bien connectés. Les deux télécommandes feront fonctionner désormais deux bases simultanément.

Notes de représentation: Si des bases sont inter changées, l'activation du bouton PLAT resynchronisera les positions mécaniques.

Le système est maintenant joint. Les Boutons pressés sur n'importe quel contrôle dirigera les deux bases simultanément.

Pg. 14- Sangle de batterie de secours

Placez le bloc dans un emplacement accessible sous le lit pour les cas d'urgence. Deux (2) piles 9-volt sont nécessaires pour faire fonctionner la fonction de mise hors tension et ne sont pas inclus.

Aperçue

Lorsque la base est bloquée dans une position articulée pendant une panne d'alimentation- La Sangle de batterie de secours retournera la base à la position PLATE.

Les piles ne doivent pas être utilisées pour l'exploitation normale de la base.

ÉTAPE 1: Installer les piles 9 volts offertes dans la boîte d'alimentation. Ne pas mélanger les marques de pile.

ÉTAPE 2: Appuyez et maintenez le bouton de la mise hors tension pour abaisser la base à la position à plat.

Pg. 15 - Sangle de raccordement (facultatif)

Le Sangle de Bateria de secours est un accessoire en option. Pour acheter, veuillez contacter votre revendeur.(4) Des piles de 9 volts sont nécessaires pour faire fonctionner la fonction de mise hors tension et ne sont PAS incluses.

Placez la boîte de sauvegarde de la batterie dans un endroit pratique. Pour une utilisation d'urgence uniquement, en cas de panne de courant. Si la base est coincée dans une position articulée pendant une panne de courant, le boîtier de secours de la batterie ramènera la base à une position plate. Les piles ne doivent pas être utilisées pour le fonctionnement normal de la base. Retirez le boîtier de batterie une fois l'urgence terminée, car le système continuera à être alimenté par les batteries, même s'il n'est pas utilisé.

ÉTAPE 1: Débranchez l'alimentation du cordon d'alimentation d'entrée.

ÉTAPE 2: Connectez la sangle de secours de la batterie aux (2) piles alcalines de 9 volts. Ne mélangez pas les piles de marque.

Connectez l'extrémité de la sangle de sauvegarde de la batterie au cordon d'alimentation d'entrée connecté au boîtier de commande.

Remarque: Détachez la sangle de secours de la batterie une fois l'urgence terminée, car le système continuera à être alimenté par les batteries, même s'il n'est pas utilisé.

Pg. 16- Guide d'installation des fixations de la tête de lit

Les fixations de la tête de lit sont des accessoires optionnels et ne sont pas incluses. Une clé à douilles de 9/16" + une clé à molette de 1/2" sont nécessaires pour compléter l'installation.

ÉTAPE 1:

a.) Alignez le trou dans la fixation avec la douille en laiton dans laquelle se visse la patte de lit. Maintenez la fixation en place et vissez la patte dans la base jusqu'à ce qu'elle soit bien serrée. **NE VISSEZ PAS TROP FORTEMENT**, car la patte de lit pourrait tourner à vide.

b.) Alignez la pièce avec le trou dans le cadre (situé vers le pied de la base) et utilisez un boulon court et un écrou pour sécuriser la fixation. Assurez-vous que le boulon est bien serré.

ÉTAPE 2: Attachez l'espaceur en plastique et la fixation en T

a.) Mesurez la distance entre les trous de montage sur la tête de lit et installez l'espaceur et la plaque de fixation pour accueillir la tête de lit.

b.) Pour installer l'espaceur en plastique et la plaque de fixation, vous avez besoin de deux (2) boulons longs et deux (2) écrous. Placez l'espaceur et la plaque de fixation à l'endroit désiré et glissez les boulons dans les trous, tête orientée vers l'extérieur. Positionnez les boulons en diagonale sur l'espaceur. Utilisez la clé à

douilles de 9/16" ainsi que la clé à molette pour serrer les boulons.

ÉTAPE 3: Vous pouvez maintenant assembler votre tête de lit et la plaque de fixation à l'aide des boulons courts et des écrous restants afin de la relier aux fixations. Les têtes de boulons seront orientées vers l'extérieur. Utilisez une clé à douilles de 9/16" et une clé à molette de 1/2" pour serrer les boulons.

Pg. 17 - Dépannage

Si une ou plusieurs fonctions sur la base de lit ont cessé de fonctionner:

Vérifier sous la base de lit pour vérifier que les connexions filaires sont sécurisées et qu'il n'y a pas de cordons ou de la literie qui entrave le mouvement de la base.

Vérifiez que le voyant DEL vert est allumé sur le bloc d'alimentation. (Si aucun voyant ne s'allume), vérifiez que l'entrée et que les cordons d'alimentation sont correctement connectés.

Débranchez la base pendant 1 heure pour réinitialiser les composants électroniques.

Branchez la base du lit sur une prise électrique différente, ou vérifiez le courant de la prise avec un autre appareil qui fonctionne (protecteur de surtension électrique mise à la terre est recommandé).

Retirez et remplacez les piles dans la télécommande et accouplez la télécommande à la base (voir page 11).

Si le problème n'est pas résolu en suivant les instructions ci-dessus, notez le numéro de série sur la carte de garantie ou à l'arrière du contrôle à distance et contactez-le

Pour service consommateurs, allez au site web [www.ergomotion.com](http://www.ergomotion.com) ou appelez le numero: 1-888-550-3746



# notes

---

---

---

---

---

---

---

---

---

---

---

---

---

---

---

---

---

---

---

---

---

---

---

---

## Nationwide Customer Service

Phone 1.888.550.3746  
Fax 1.805.979.9399  
Email [info@ergomotion.com](mailto:info@ergomotion.com)  
Web [www.ergomotion.com](http://www.ergomotion.com)

©2017 Ergomotion Inc  
V002\_11/2018  
35007250

Serial Number:

+

+

+

+