

3 SERIES MOTORIZED



SOLAR GRAY.85 (4K) - SOLAR WHITE 1.3 (4K)

SUGGESTED SPECIFICATIONS: [] projection screen(s), [] (H) x [] (W). 3 Series Motorized is the affordable solution for a high-end motorized screen. The screen materials are precision cut on computer-driven fabric tables, enabling all screens to be cut with ease and repeatability. Each 3 Series Motorized screen offers tab tensioning and 0-24" of black drop. Screens are available in 16:9 and 16:10 aspect ratios with fixed sizing from 80" to 133" diagonal. 3 Series Motorized offers our 4K rated Solar White 1.3 (4K) and Solar Gray .85 (4K) screen materials. 3 Series Motorized is available as an external, self-contained unit, with either wall or ceiling mounting capability. This gives you the versatility to mount your screen where you see fit. The external unit is available in white with a curved front fascia. 3 Series Motorized is also available in a flush mount, mail slot system allowing the screen to disappear into the ceiling. This is especially useful in environments where the screen would need to not be visible when not in use such as a living room or conference room.

Theater HDTV (16:9) Format Dimensions (Flush)

Viewing Area H x W (C X B)		Standard Diagonal (A)		Overall Width (F)		Approx. Ship. Wt.	
in.	cm.	in.	cm.	in.	cm.	Lbs.	Kg
39" X 70"	100 X 177	80"	203	87"	221	88	40
45" X 80"	115 X 204	92"	234	98"	248	97	44
49" X 87"	124 X 221	100"	254	105"	266	103	47
52" X 92"	132 X 235	106"	269	110"	279	108	49
54" X 96"	137 X 244	110"	279	113"	288	111	50
59" X 105"	149 X 266	120"	305	122"	310	119	54
65" X 116"	166 X 294	133"	338	133"	339	132	60

Theater HDTV (16:9) Format Dimensions (External)

Viewing Area H x W (C X B)		Standard Diagonal (A)		Overall Width (G)		Approx. Ship. Wt.	
in.	cm.	in.	cm.	in.	cm.	Lbs.	Kg
39" X 70"	100 X 177	80"	203	92"	234	95	43
45" X 80"	115 X 204	92"	234	103"	261	105	48
49" X 87"	124 X 221	100"	254	110"	279	112	51
52" X 92"	132 X 235	106"	269	115"	292	117	53
54" X 96"	137 X 244	110"	279	118"	301	120	54
59" X 105"	149 X 266	120"	305	127"	323	129	59
65" X 116"	166 X 294	133"	338	139"	352	143	65

Wide (16:10) Format Dimensions (Flush)

Viewing Area H x W (C X B)		Standard Diagonal (A)		Overall Width (F)		Approx. Ship. Wt.	
in.	cm.	in.	cm.	in.	cm.	Lbs.	Kg
42" X 68"	108 X 172	80"	203	90"	230	86	39
49" X 78"	124 X 198	92"	234	101"	255	95	43
53" X 85"	135 X 215	100"	254	107"	273	101	46
56" X 90"	143 X 228	106"	269	112"	286	106	48
58" X 93"	148 X 237	110"	279	116"	294	109	49
64" X 102"	162 X 258	120"	305	124"	316	117	53
71" X 113"	179 X 287	133"	338	135"	344	130	59

Wide (16:10) Format Dimensions (External)

Viewing Area H x W (C X B)		Standard Diagonal (A)		Overall Width (G)		Approx. Ship. Wt.	
in.	cm.	in.	cm.	in.	cm.	Lbs.	Kg
42" X 68"	108 X 172	80"	203	90"	230	93	42
49" X 78"	124 X 198	92"	234	101"	255	103	47
53" X 85"	135 X 215	100"	254	107"	273	110	50
56" X 90"	143 X 228	106"	269	112"	286	115	52
58" X 93"	148 X 237	110"	279	116"	294	118	54
64" X 102"	162 X 258	120"	305	124"	316	127	58
71" X 113"	179 X 287	133"	338	135"	344	140	64

PRODUCT NOTES

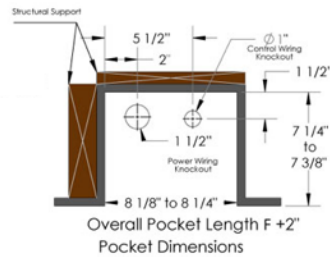
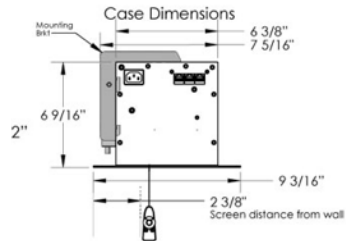
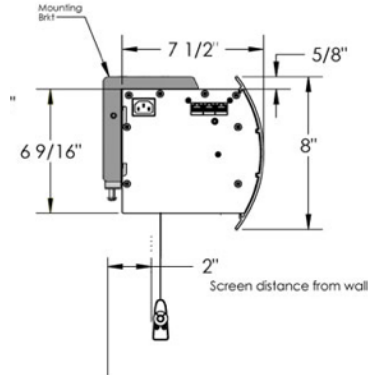
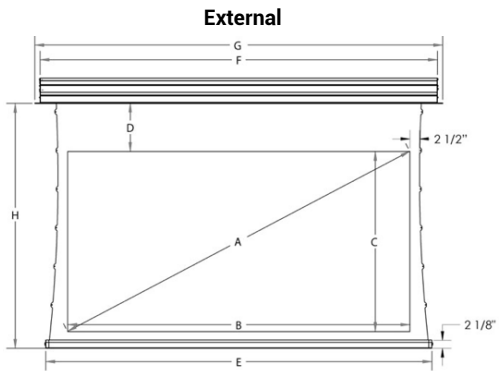
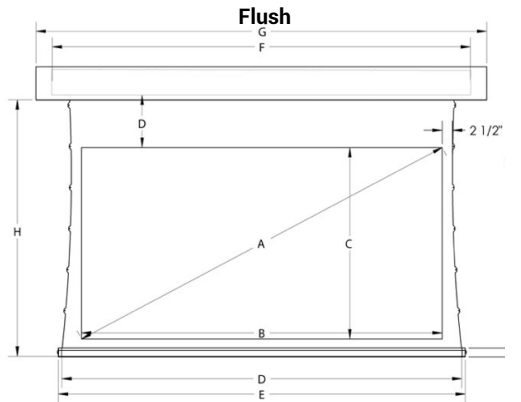
- All screens standard with 24" of black-drop at the top.
- All screens standard with wall switch, IR Remote, and low voltage trigger.
- Aspect ratios Available: 16:9, 16:10
- Adjustable in the field.
- For dimensions not listed, please see our online screen calculator. <http://www.screeninnovations.com/tools/screen-calculator/>

MATERIAL INFORMATION

- All surfaces will be seamless

WHEN ORDERING, MARK APPROPRIATE SELECTIONS

1. Select Size from Charts.
2. Select Screen Material
 - Solar Gray .85 (4K)
 - Solar White 1.3 (4K)
3. Screen options:
 - 220v Motor
 - RS232/485 Control & Cable



Project Name: _____

Architect: _____

Contractor: _____ Phone _____

Reseller: _____ Phone _____

