



Model: T3652-S

Type: Power 6.5" 2-way component system

Power Rating: 125 Watts (RMS)

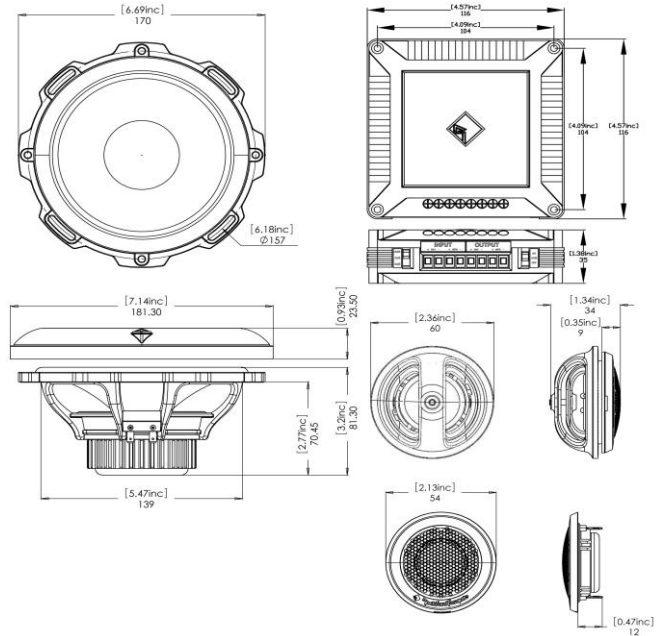
Impedance: 4 ohms

Freq. Response: 40-30kHz

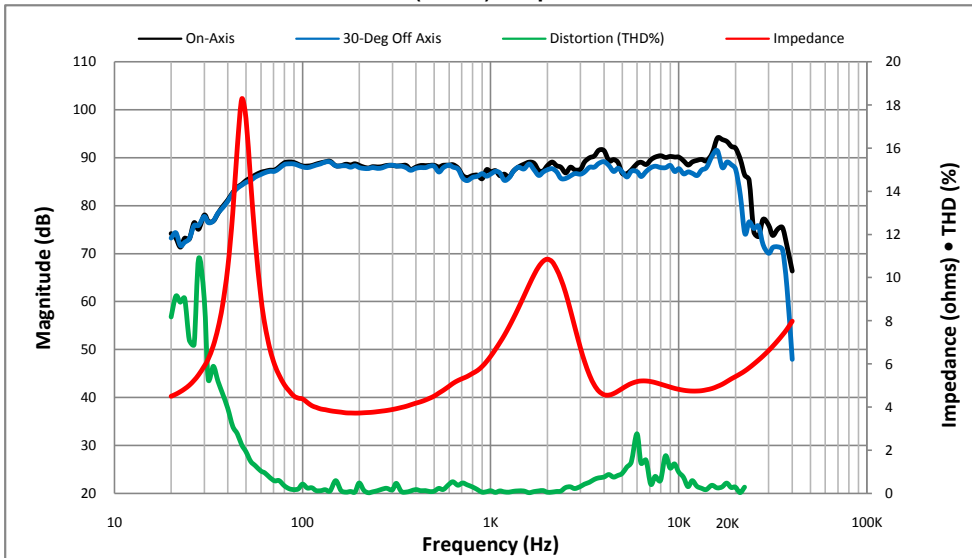


Technical Highlights

- Woven LCP (Liquid Crystal Polymer) fiber cone
- High excursion neo motor magnetics with matched suspension design
- 1" (25.4mm) Treated silk surround + LCP dome tweeter
- VAST™ Vertical Attach Surround Technique butyl rubber surround
- Integrated shorting ring with external heat sinking (woofer)
- 1.5" (38mm) High temp aluminum voice coil former (woofer)
- Fatigue and tear resistant linear Nomex™ spider
- Die-cast Aluminum frame with FlexFit™ mounting slot pattern
- Proprietary dual function input terminal (bare wire & tab style)
- DDC™ Discreet Dual Clamp tweeter mounting system
- +2, 0, -2 dB Tweeter level settings (user selectable)
- Asymmetrical 18dB/12dB (HP/LP) crossover network
- Flush and surface (angled) mounting hardware included
- Bi-amp switching (user selectable)
- On/off axis setting (user selectable)
- Grilles and mounting hardware included



SPL (1W1M) • Impedance



Thiele-Small Specifications (woofer)

- Fs (Hz): 50
- Re (Ohms): 2.8
- Le (mH): 0.17
- Qts: 0.71
- Qes: 0.84
- Qms: 4.58
- Cms (mm/N): 0.56
- Vas (L): 16.28
- Mms (g): 17.79
- Mmd (g): 16.82
- Rms (kg/s): 1.23
- Airload (g): 0.97
- No (%): 0.24
- SPL (dB - 1W/1M): 87.5
- BL (T*M): 4.45
- *Xmax₁₀ (mm): 7.0
- Sd (cm²): 143.14
- EBP: 59.5238
- Krm (mOhms): 0.0015
- Erm: 0.68
- Kxm (mH): 0.0018
- Exm: 0.77
- Rem (Ohms): 0.0006

* All parameters are derived using a laser velocity measurement method and verified with actual measured Mmd and Re. Xmax₁₀ represents actual effective excursion at <10% THD.

Technical Specifications

Voice Coil Diameter:	1.5	38	inches mm
Voice Coil Height:	0.65	16.6	inches mm
Voice Coil Layers:	2		layers
Magnetic Gap Height:	0.16	4.0	inches mm
Linear Excursion, pk-pk (Xmax):	0.25	6.3	inches mm
Maximum Excursion(mech), pk-pk:	1.00	25.40	inches mm
Magnet Weight:	1.18	0.03	oz. kg
Woofer Displacement:	0.00	0.00	liters cubic ft.
Net Weight:	1.77	0.80	lbs. kg
Power Rating:	125	250	RMS Peak

Above specifications and dimensions comply with the CEA-2031 standard. Nomex™ is a registered trademark of the DuPont Corporations.

Specifications subject to change without notice.