

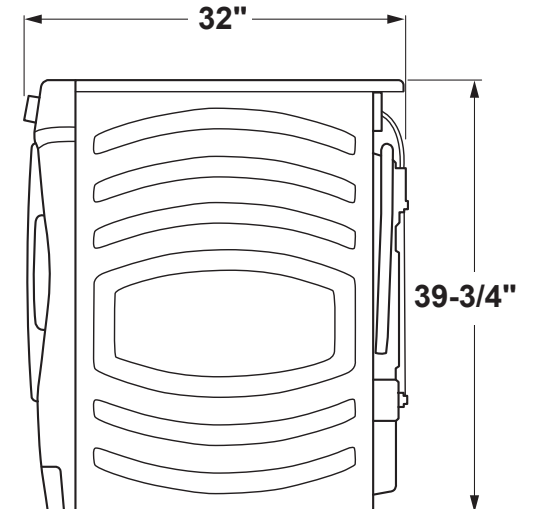
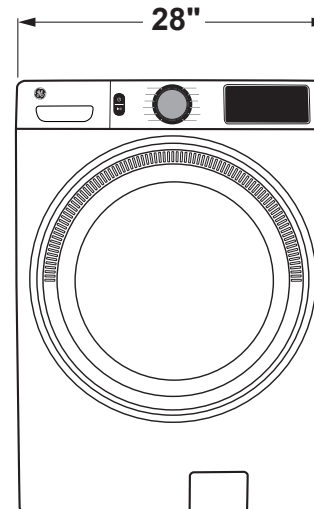
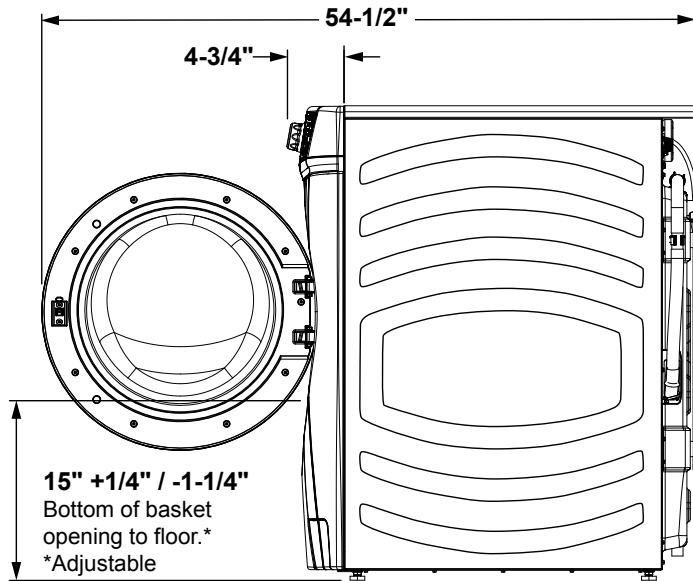
# GE® 4.8 cu. ft. Capacity Front Load ENERGY STAR® Steam Washer with SmartDispense™ and UltraFresh Vent System with OdorBlock™

*GE® 4.8 cu. ft. Capacity Front Load ENERGY STAR® Steam Washer with SmartDispense™ and UltraFresh Vent System with OdorBlock™*

## DIMENSIONS AND INSTALLATION INFORMATION (IN INCHES)

ELECTRIC RATING	
120V	11.0A, 60Hz

**INSTALLATION INFORMATION:** For complete information, see installation instructions packed with your washer.



\*With leveling leg adjust.



For answers to your Monogram, GE Café™ Series, GE Profile™ Series or GE Appliances product questions, visit our website at [geappliances.com](http://geappliances.com) or call GE Answer Center® Service, 800.626.2000.



Specification Revised 11/19

# GE® GFW650SSN/SPN

*GE® 4.8 cu. ft. Capacity Front Load ENERGY STAR® Steam Washer with SmartDispense™ and UltraFresh Vent System with OdorBlock™*

## **SPECIAL INSTALLATION REQUIREMENTS:**

### **STACKED INSTALLATION:**

-Brackets for stacking dryer over washer are not included with the washer.  
Order part no. GFA28KITN.

### **ALCOVE OR CLOSET INSTALLATION:**

- If your dryer is approved for installation in an alcove or closet, it will be stated on a label on the dryer back.
- The dryer **MUST** be exhausted to the outside.
- Minimum clearances between dryer cabinet and adjacent walls or other surfaces are: 0" all sides and top.\*
- Closet doors must be louvered or otherwise ventilated and must contain a minimum of 60 sq. in. of open area equally distributed. If this closet contains both a washer and a dryer, doors must contain a minimum of 120 sq. in. of open area equally distributed.
- No other fuel-burning appliance shall be installed in the same closet with a gas dryer.

### **BATHROOM OR BEDROOM INSTALLATION:**

- The dryer **MUST** be exhausted to the outdoors.
- The installation must conform with the local codes, or in the absence of local codes, with the National Electric Code and National Fuel Gas Code, ANSI Z223.

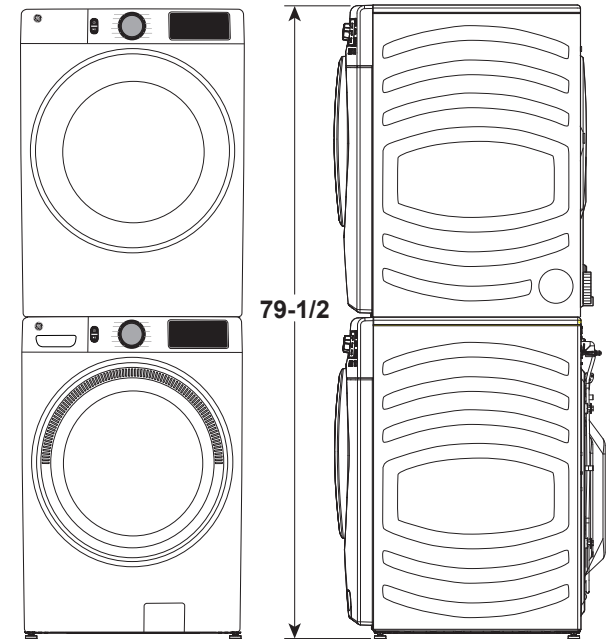
### **MINIMUM CLEARANCE OTHER THAN ALCOVE OR CLOSET INSTALLATIONS:**

- Minimum clearances to combustibles 0" all sides and top.\*

### **FOR MORE INFORMATION ON VENTING KITS AND ACCESSORIES, PLEASE CALL 1-800-GE-CARES.**

\*For improved performance, a 1/2" clearance is suggested on each side.

## **STACKED DIMENSIONS (IN INCHES)**



## **PEDESTAL DIMENSIONS (IN INCHES)**

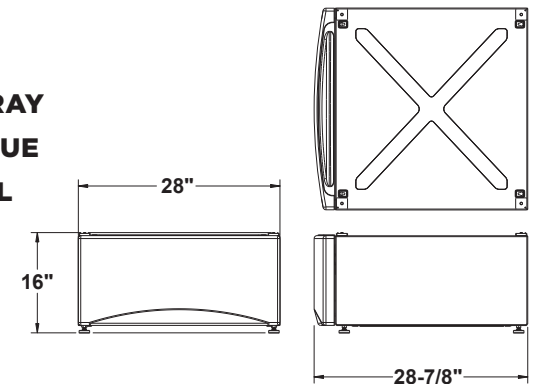
**GFP1528PNDG - DIAMOND GRAY**

**GFP1528PNRS - SAPPHIRE BLUE**

**GFP1528PNSN - SATIN NICKEL**

**GFP1528SNWW - WHITE**

This optional 16" pedestal raises the door opening and height of the washer or dryer.



For answers to your Monogram, GE Café™ Series, GE Profile™ Series or GE Appliances product questions, visit our website at [geappliances.com](http://geappliances.com) or call GE Answer Center® Service, 800.626.2000.

Specification Revised 11/19

# GE® 4.8 cu. ft. Capacity Front Load ENERGY STAR® Steam Washer with SmartDispense™ and UltraFresh Vent System with OdorBlock™

*GE® 4.8 cu. ft. Capacity Front Load ENERGY STAR® Steam Washer with SmartDispense™ and UltraFresh Vent System with OdorBlock™*

## FEATURES AND BENEFITS

UltraFresh Vent System With OdorBlock™ – The first and only UltraFresh Vent System with OdorBlock™ eliminates excess moisture to help prevent odors ensuring your washer stays fresh and clean.

Microban® antimicrobial technology – Built into components including the gasket, dispenser and draining system delivers protection that lives on load after load.

SmartDispense™ Technology – Save time and make laundry effortless with an intelligent dispenser that holds up to 32 loads of detergent and automatically dispenses the right amount each time.

Built-in WiFi – Start, stop and monitor your laundry from anywhere while receiving real-time notifications and updates.

Dynamic Balancing Technology (dB™) – Our patented, time saving technology senses and re-balances uneven loads during the spin cycle, providing a quiet wash.

Reversible door – Easily reverse your washer and dryer door for superior installation flexibility.

PowerSteam – Safely penetrates deep into fabric fibers, loosening stains to deliver enhanced cleaning performance.

Quick Wash Cycle – Provides a fast 20 minute wash for lightly soiled items.

Sanitize + Allergen – Industry-first cycle sanitizes fabrics to kill 99% of common bacteria and allergens such as dust mites.

Model GFW650SSNWW – White

Model GFW650SPNSN – Satin Nickel



*For answers to your Monogram, GE Café™ Series, GE Profile™ Series or GE Appliances product questions, visit our website at [geappliances.com](http://geappliances.com) or call GE Answer Center® Service, 800.626.2000.*



Specification Revised 11/19