



EB333611
Single Oven
stainless steel
Width 36" (90 cm)

One-piece front-hinged door with 3 mm precision crafted stainless steel front door panel
Soft door opening and closing system
Diagonally positioned light sources for optimal interior lighting
Pyrolytic self-cleaning system
Universal heating system with 17 heating methods, with core temperature probe, rotisserie spit and baking stone operation
Automatic programs
Core temperature probe with estimation of cooking time
Hot air fan rotates in both directions for ideal heat distribution
TFT touch display
Panel-free appliance with control module behind glass
Electronic temperature control from 85°F - 550°F
Net volume 3.6 cu. ft. (83 litres)

Cooking modes

Convection.
Economy convection..
Top + bottom heat.
Top + 1/3 bottom heat.
Top heat.
1/3 top + bottom heat.
Bottom heat.
Convection + bottom heat.
Convection + 1/3 bottom heat.
Convection broiling..
Broiling.
Compact grill.
Baking stone operation.
Roaster function.
Dough proofing.
Defrosting.
Keeping warm.

Operation

Rotary knob and TFT touch display operation.
Clear text display in 25 languages.
Option to save 50 individual recipes (incl. core temperature probe)
Personalization of automatic programs.
Information key with use indicators.
Front-hinged door with 90° door opening angle.

Features

Three-point core temperature prove with automatic shut-off and estimation of cooking time.
Automatic programs.
Rotisserie spit.
Baking stone outlet.
Actual temperature display.
Fast heating setting.
Timer functions: cooking time, switch-off time, short-term timer, stopwatch.
60 W halogen light on the top.
2 x 10 W halogen light on the side.
Enamelled side shelf supports with 3 tray levels, pyrolysis-safe.
Home network integration for digital services (Home Connect) either via cable connection LAN (recommended) or wireless via WiFi.
The use of the Home Connect functionality depends on the Home Connect services, which are not available in every country. For further information please check: home-connect.com.

Safety

Product Features

Cooking mode

Baking stone function, Bottom heat, Conventional heat, Defrost, Dough proving setting, Full width broil, Half width broil, Hot Air, Hot air broiling, Hot Air-Eco, Roasting function, Top heat, warming

Integrated Cleaning system

Self Clean

Interior Lights - primary cavity

3

Pull-out system

Accessory

Timer settings

Alarm, Off, On, timer

Included accessories

1 x enamel baking tray, suit. pyrolytic clean, 1 x rotary spit, 1 x grill shelf, 1 x grill tub with grid, 1 x pluggable meat probe

Bake Element Wattages primary cavity (W)

1700

Broil Element Wattages primary cavity (W)

4250

Convection Element Wattages primary cavity (W)

2070

Microwave Wattages (W)

Drawer wattage (W)

Consumption and connection features

UPC code

825225957454

Product color

Stainless steel

Alternative colors available

Energy source

Electric

Watts (W)

5860

Current (A)

25

Volts (V)

208/220-240

Frequency (Hz)

60

Approval certificates

CSA, ETL, UL

Power Cord Length

47 1/4

Plug type

fixed connection

Required cutout size (HxWxD) (in)

18 11/16 x 33 7/8 x 22 1/16

Product packaging dimensions (HxWxD) (in)

27 9/16 x 39 3/4 x 28 15/16

Net weight (lbs)

177

Gross weight (lbs)

200

2020-01-17

Page 1

Thermally insulated door with quintuple glazing.

Child lock.

Safety shut-off.

Cooled housing with temperature protection.

Cleaning

Pyrolytic self-cleaning.

Gaggenau Clean-Enamel.

Heated air cleaning catalyst.

Planning notes

The door panel surface of the appliance extends 1 9/16" (40 mm) from the cabinet front.

The outer edge of the door handle extends 3 9/16" (90 mm) from the cabinet front.

For installation underneath cooktops: Distance between the underside of the cooktop and the top edge of the oven cavity: min. 9/16". The planning notes for the cooktops (particularly regarding ventilation, gas/electric connection) must be taken into account.

To achieve the 21 5/8" (550 mm) installation depth, the connection cable needs to follow the slanted edge on the corner of the housing.

Plan a power outlet outside of the cut-out niche.

The LAN port can be found at the back on the upper left side.

Rating

Total rating 5.9 kW.

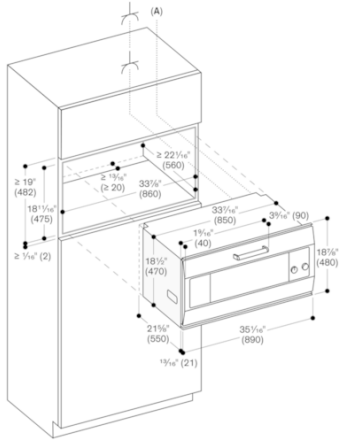
Total Amps: 25 A.

208 / 220 - 240 V / 60 Hz.

Connection cable 47 1/4" without plug.

Plan for a LAN cable.

EB333611
Single Oven
stainless steel
Width 36" (90 cm)
2020-01-17
Page 2



A: LAN Port
A: Socket
Measurements in inches (mm)