

Integrated French Door Refrigerator Freezer, 32", Ice

Series 7 | Integrated

Panel Ready

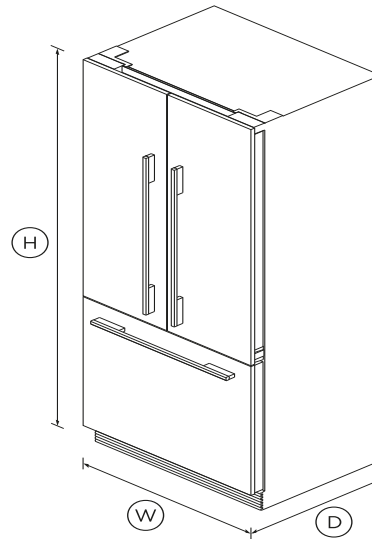


Designed to seamlessly integrate into your kitchen. With minimal gaps and no visible hinges, this model has a flush fit to suit any kitchen layout.

- ActiveSmart™ technology helps keep food fresher for longer by constantly maintaining the ideal temperature.
- Customize with your own kitchen cabinetry or purchase our stainless steel door panel accessory.
- With SmartTouch control panel for ease of use
- Spacious bottom freezer with full extension drawer and ice maker with boost function

DIMENSIONS

Height	71 ⁷ / ₈ "
Width	31 ¹ / ₈ "
Depth	23 ¹¹ / ₁₆ "



FEATURES & BENEFITS

Perfect Fit

These models fit flush and have minimal gaps, with no visible hinges. Our Integrated refrigeration can be seamlessly hidden behind your cabinetry or you can purchase our stainless steel door panel.

ActiveSmart™ Foodcare

ActiveSmart™ Foodcare learns how you live. By understanding how you use your fridge and adjusting temperature, airflow and

humidity inside, it helps keep food fresher for longer.

Flexible Storage

Designed to make it simple for you to store, sort and access food. Storage bins give you full access inside when they're pulled open and can be easily removed to clean. Our cantilevered shelving also gives you more storage options.

Ice maker

Fresh ice is always available for you in a dedicated freezer bin. Simply turn it off to free up freezer space or during busy times, you can boost ice production by up to 30%.

Beautiful Lighting

LED lighting illuminates the interior with a crisp, clean glow for enhanced visibility. Our energy saving LEDs use less power than comparable halogen lights.

Easy Cleaning

Secure, spill-safe glass shelves easily capture any drips or leaks, and can be easily removed for fast and easy cleaning.

Clever Energy

This fridge adapts to daily use by cooling and defrosting only when needed, providing greater energy efficiency without compromising on food care.

SPECIFICATIONS

Accessories

Contemporary round handle kit	25628
Contemporary square handle	25626
Matching Replacement Water	847200
Professional Round Handle Kit	25629
Professional Square Handle Kit	25630
Stainless Steel Door Panel Set	25623

Capacity

Freezer	4.4cu ft
Refrigerator	10.3cu ft
Total	14.7cu ft

Consumption

Energy Star rating	Yes
Energy usage	540kWh/year
Supply frequency	60Hz
Supply voltage	115V

Freezer features

Automatic ice maker	•
Bottle chill	•
Door alarm	•
Fast freeze	•
Frost free freezer	•
Ice Boost	•
LED lighting	•
Large plastic bin	•
Slide Out Pastry Tray	•
Small plastic bins	•

Performance

ActiveSmart™ Foodcare	•
Adaptive defrost	•
Frost free freezer	•
Humidity control system	•
Inverter controlled compressor	•
Sabbath mode	•

Power requirements

Rated current	10A
Supply frequency	60Hz
Supply voltage	115V

Product dimensions

Depth	23 11/16 "
Height	71 7/8 "
Width	31 1/8 "

Refrigerator features

Adjustable door shelves	6
Adjustable glass shelves	3
Cantilevered Shelves	•
Covered door shelves	2
Door alarm	•
Fruit and vegetable bins	2
LED lighting	•
SmartTouch control panel	•
Soft close doors	•
Stackable bottle holders	4

Warranty

Parts and labor	2 years
Sealed system parts only	5 years

SKU	25619
-----	--------------

and model. Under our policy of continuous improvement, these dimensions and specifications may change at any time. You should therefore check with Fisher & Paykel's Customer Care Centre to ensure this page correctly describes the model currently available. © Fisher & Paykel Appliances Ltd 2019.

The product dimensions and specifications in this page apply to the specific product

Other product downloads available at fisherpaykel.com



User Guide



Service & Warranty Booklet



Installation Guide



A PEACE OF MIND SALE

24 Hours 7 Days a Week Customer Support

T 1300 650 590 W www.fisherpaykel.com