

# MONOGRAM DOUBLE-DRAWER REFRIGERATOR

ZIDS240NSS



When ordering this product, be sure to use the model number associated with the chosen handle.



Statement handle  
ZXGD2H2PPSS

Minimalist handle  
ZXGD2H2CPSS

## MINIMALIST HANDLE

Model is shown with the Minimalist handle, which needs to be ordered separately. To order this handle use model number ZXGD2H2CPSS.



## DIGITAL TOUCH CONTROLS

Offer a range of temperatures for precise chilling of a variety of fresh foods and beverages, and a LED display allows easy viewing of temperatures

## STATEMENT AND MINIMALIST COLLECTION REFRIGERATOR HANDLES (SOLD SEPARATELY)

Designed to enhance choice and customization, Statement and Minimalist Collection refrigerators do not come with handles. Handles must be chosen separately and ordered through a Monogram representative

## FULL-EXTENSION SLIDE-OUT REFRIGERATED DRAWERS

Storage for everything from whole melons to 146 12-oz. cans

**SPACIOUS INTERIOR WITH ADJUSTABLE DIVIDERS, FOLD-DOWN SHELF AND REMOVABLE DRAWER BIN**  
Maximizes useable storage space and flexibility

## SOFT INTERIOR LED LIGHTING

Automatically illuminates when the door is open, but can be activated by an internal on/off switch

## FLUSH INSTALLATION

Allows near-seamless integration with surrounding cabinetry

## SABBATH MODE

Designed to disable functions in accordance with Sabbath-observing practices



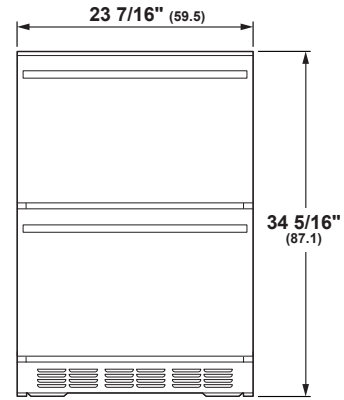
**SPECIFICATIONS**

Overall Width	23 7/16" (59.5 cm)
Overall Height	34 5/16" (87.1 cm)
Overall Depth	23 3/8" (59.3 cm)
Overall Capacity	5.0 cu. ft.
Minimum Cabinet Width	23 3/4" (60.3 cm)
Minimum Cabinet Depth	24" (61.0 cm)
Cutout Width	24" (61.0 cm)
Cutout Height	34 1/2" (87.6 cm) Min 35" (88.9 cm) Max
Electrical Requirements	1.2 A
Voltz/Hertz/Amps	120 V, 60 Hz, 15 or 20 amp circuit
Shipping Weight	155 lb (70.5 kg)

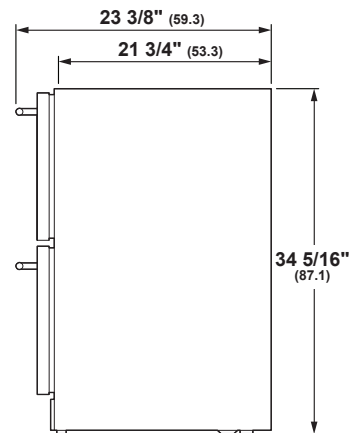
**ATTENTION ELECTRICIAN:**

A 115 volt 60Hz, 15 or 20 amp power supply is required. An individual properly grounded branch circuit or circuit breaker is recommended. Install a properly grounded 3-prong electrical receptacle recessed into the back wall.

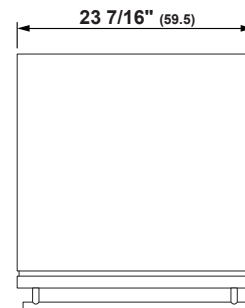
**OVERALL DIMENSIONS**



**FRONT VIEW**



**SIDE VIEW**

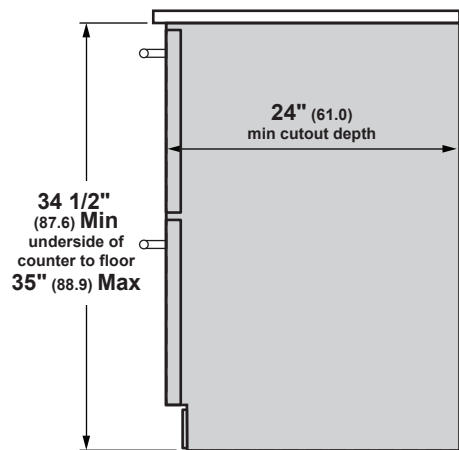


**TOP VIEW**

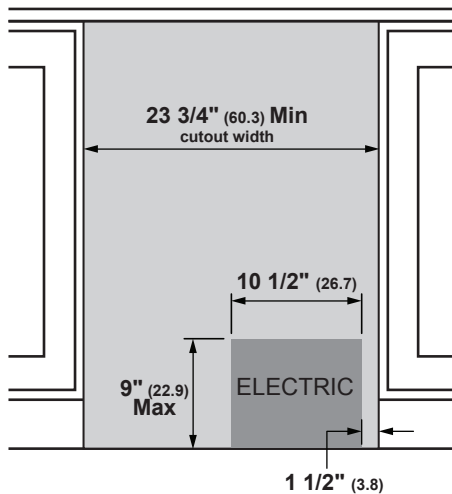
Dimensions in parentheses are in centimeters unless otherwise noted. Actual product dimensions may vary due to manufacturing tolerances.

**INSTALLATION**

**INSTALLATION CUTOUT  
SIDE VIEW**



**INSTALLATION CUTOUT  
FRONT VIEW**



**NOTES**

- Model can be installed flush with standard cabinetry.
- Designed to be built-in only. Cannot be used free-standing.
- Black vented toekick with optional stainless steel toekick supplied.